



US00D381351S

# United States Patent [19] Sukenari

[11] Patent Number: **Des. 381,351**  
[45] Date of Patent: **\*\*Jul. 22, 1997**

[54] **OVERHEAD PROJECTOR**

[75] Inventor: **Kazuhiro Sukenari**, Nagoya, Japan

[73] Assignee: **Elmo Company Limited**, Japan

[\*\*] Term: **14 Years**

778414	12/1989	Japan .
779326	1/1990	Japan .
854933	10/1992	Japan .
854956	12/1992	Japan .
864875	3/1993	Japan .
865591	4/1993	Japan .
894392	3/1994	Japan .

**OTHER PUBLICATIONS**

Overhead Projectors Catalog, 1968 p. 3.

*Primary Examiner*—Terry A. Wallace  
*Assistant Examiner*—Adir Aronovich  
*Attorney, Agent, or Firm*—Ostrolenk, Faber, Gerb & Soffen, LLP

[21] Appl. No.: **47,075**

[22] Filed: **Nov. 20, 1995**

[30] **Foreign Application Priority Data**

May 22, 1995 [JP] Japan ..... 7-14408

[51] **LOC (6) Cl.** ..... **16-02**

[52] **U.S. Cl.** ..... **D16/232**

[58] **Field of Search** ..... D16/221, 225,  
D16/229, 232, 233; 353/61, 66, 67, 119,  
122, DIG. 3, DIG. 4, DIG. 5

**CLAIM**

The ornamental design for an overhead projector, as shown.

**DESCRIPTION**

FIG. 1 is a front view of the overhead projector embodying my new design;  
FIG. 2 is a rear view thereof;  
FIG. 3 is a top plan view thereof;  
FIG. 4 is a bottom plan view thereof;  
FIG. 5 is a left side view thereof;  
FIG. 6 is right side view thereof; and  
FIG. 7 is a perspective view as seen from the top and front of present FIG. 1.

[56] **References Cited**

**U.S. PATENT DOCUMENTS**

D. 197,258	12/1963	Highberger	.....	D16/232
D. 211,760	7/1968	Blomgren et al.	.....	D16/232
D. 229,780	1/1974	Ishida	.....	D16/232
D. 244,602	6/1977	Mango et al.	.....	D16/232
D. 344,533	2/1994	Hasegawa	.....	D16/232
D. 349,715	8/1994	Darland	.....	D16/232
D. 350,361	9/1994	Hasegawa	.....	D16/232
D. 365,836	1/1996	Hasegawa	.....	D16/232

**FOREIGN PATENT DOCUMENTS**

917289 1/1985 Japan .

**1 Claim, 7 Drawing Sheets**

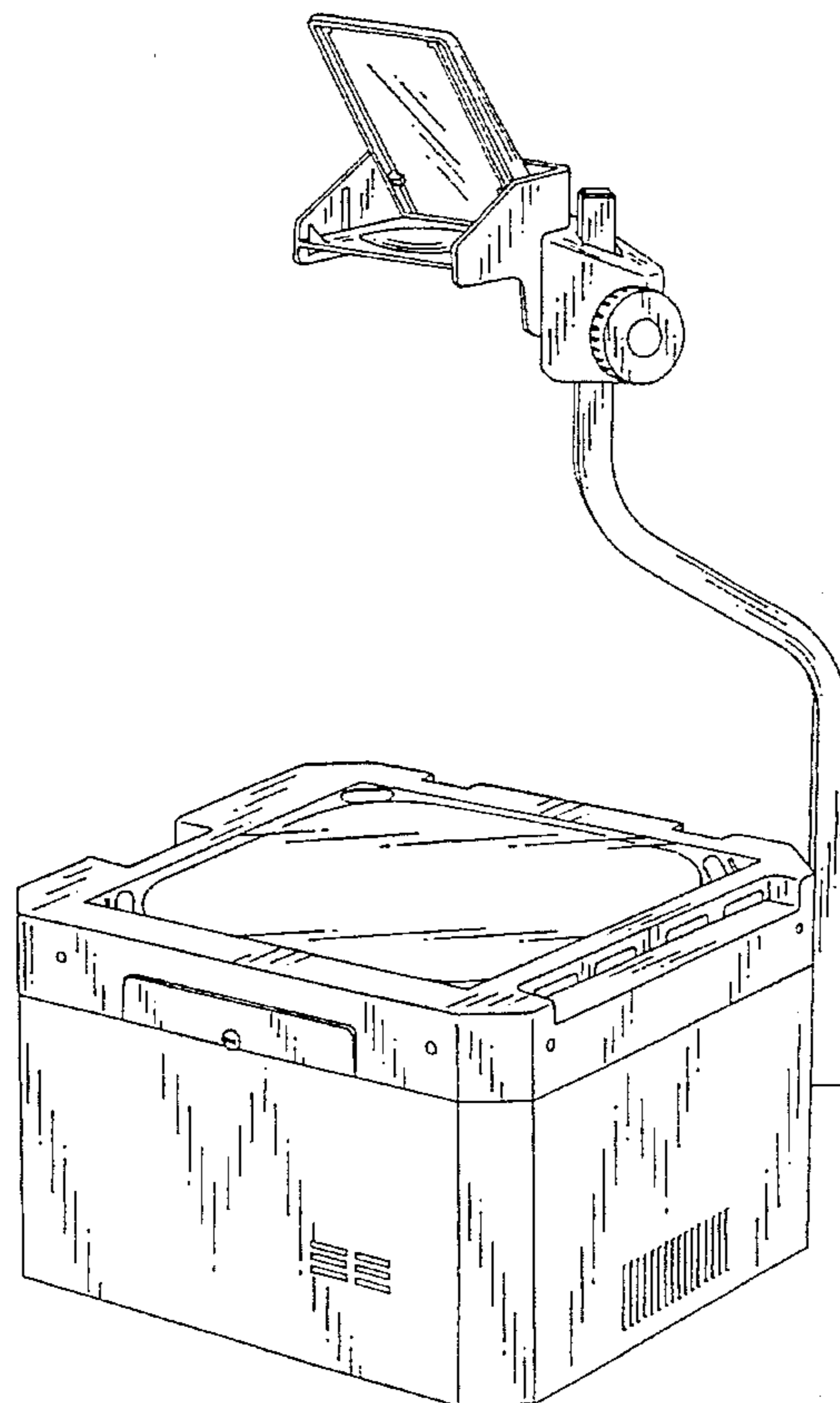


Fig. 1

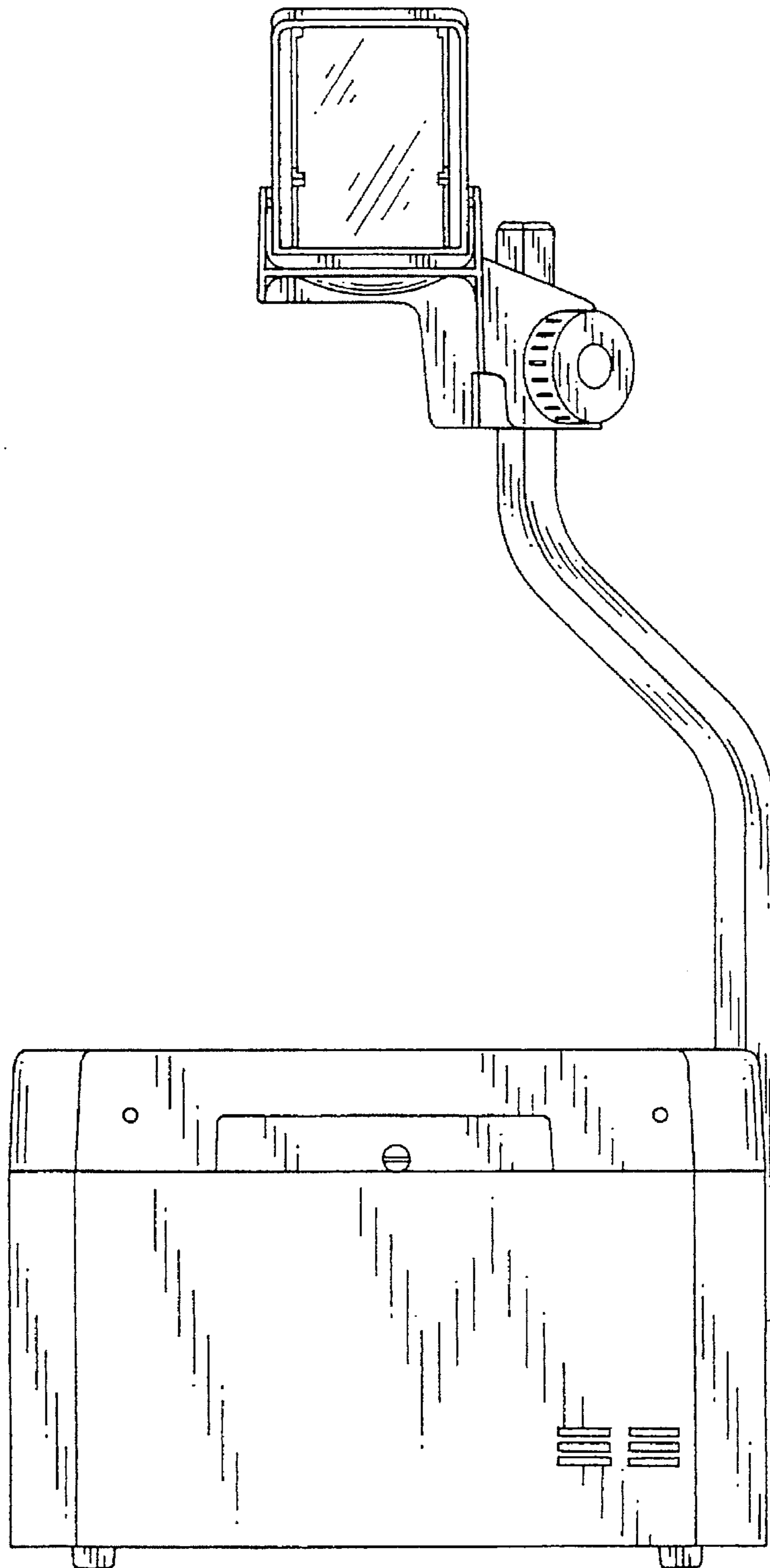


Fig. 2

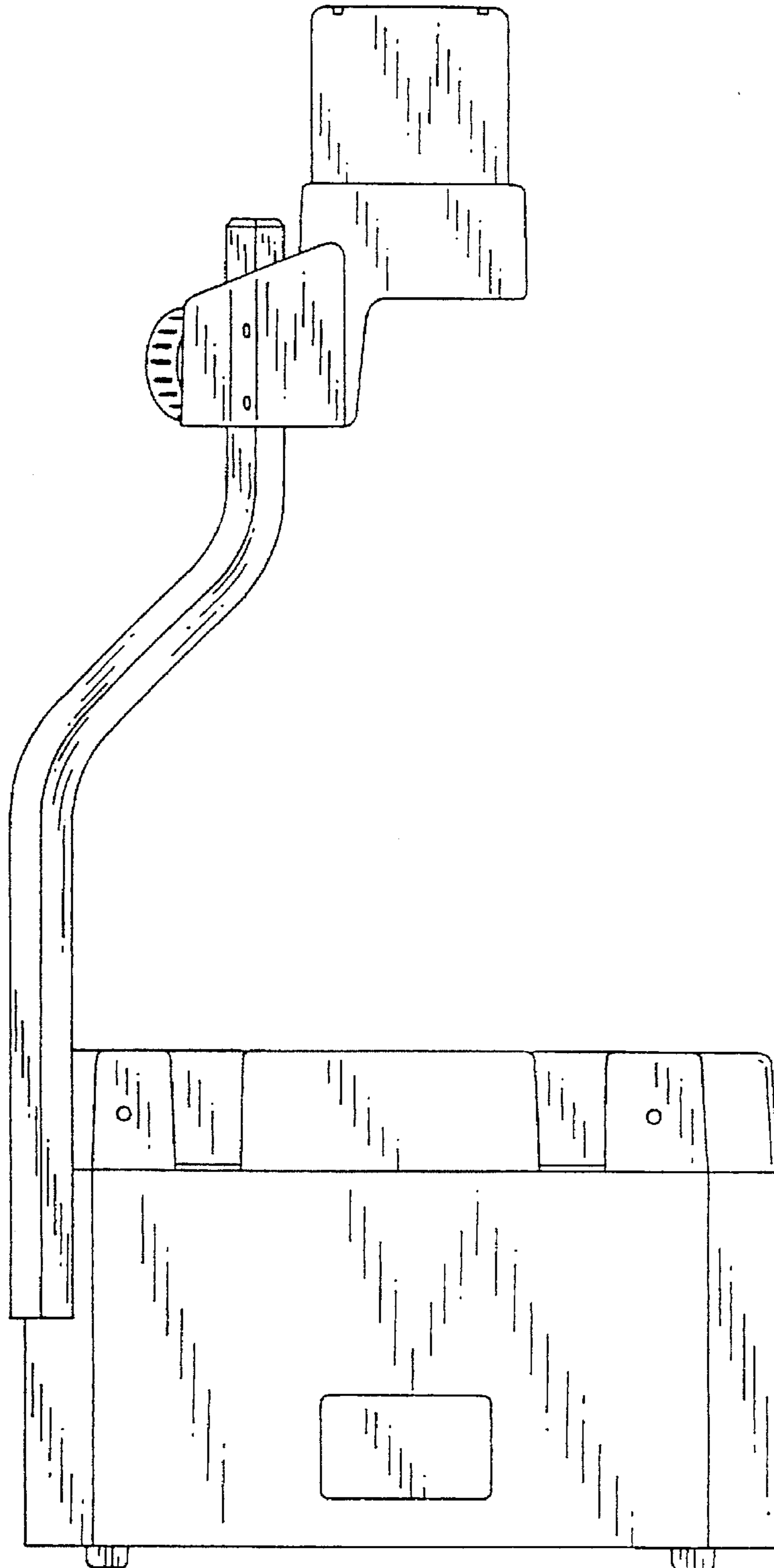


Fig. 3

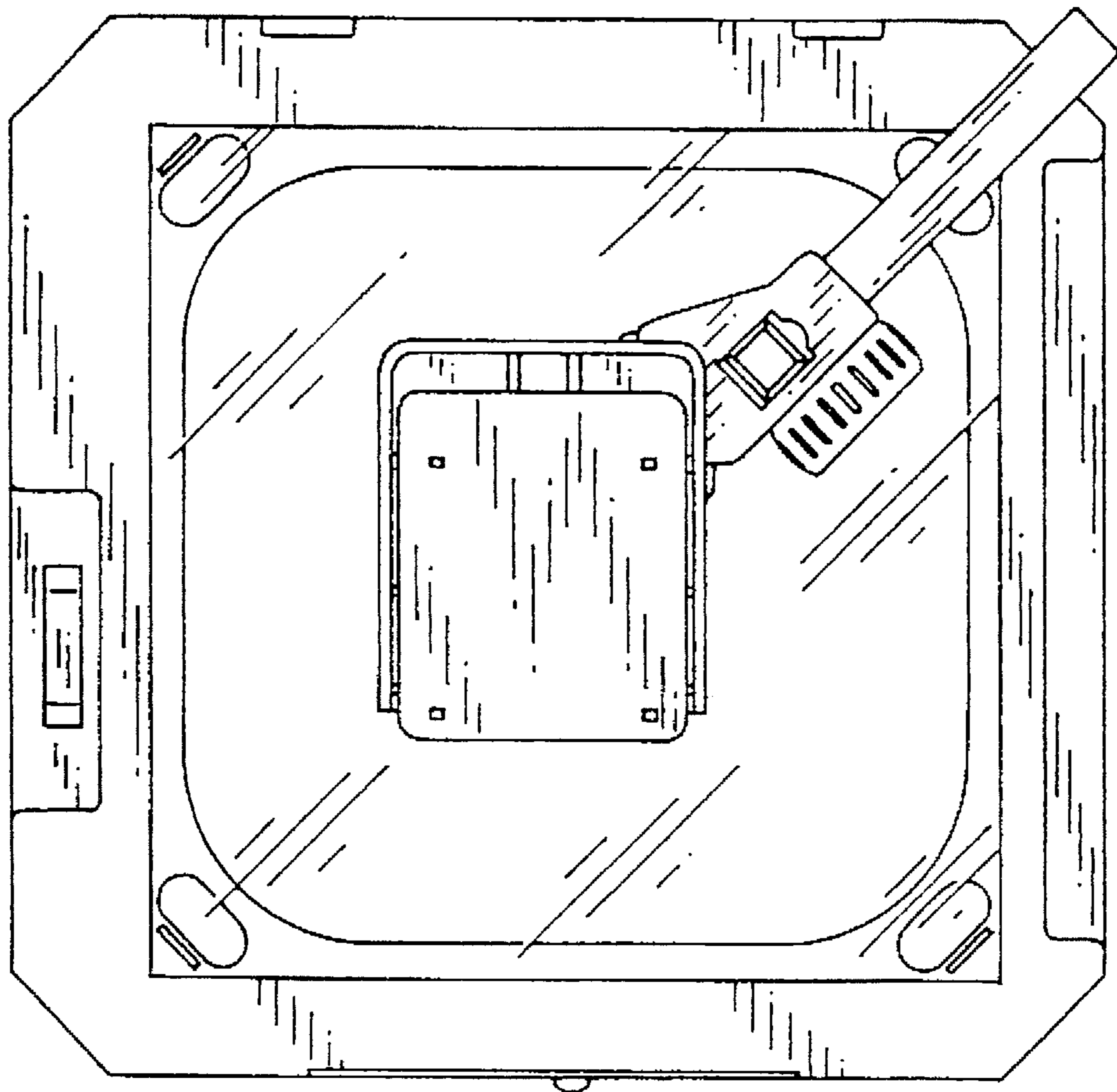


Fig. 4

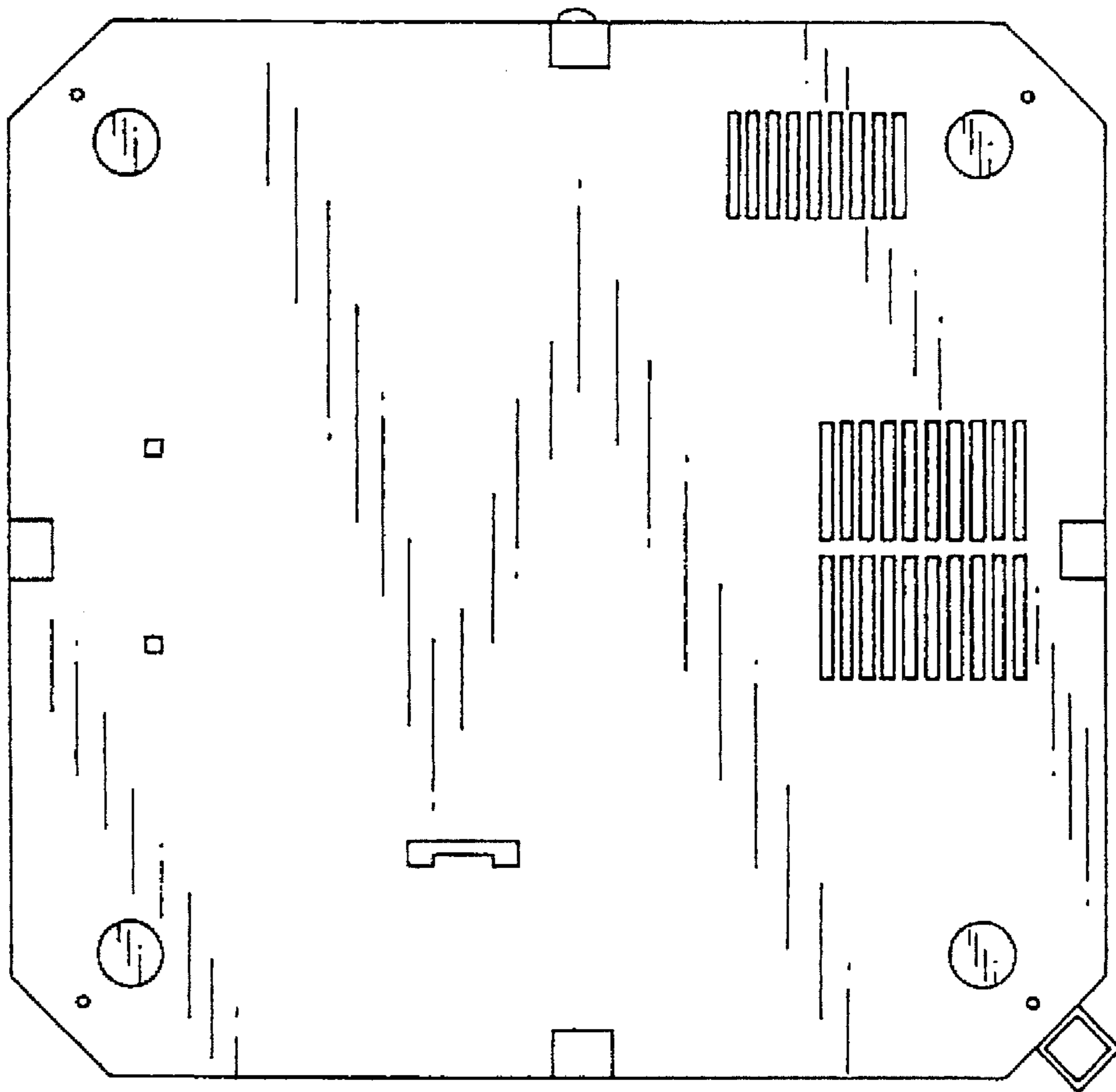


Fig. 5

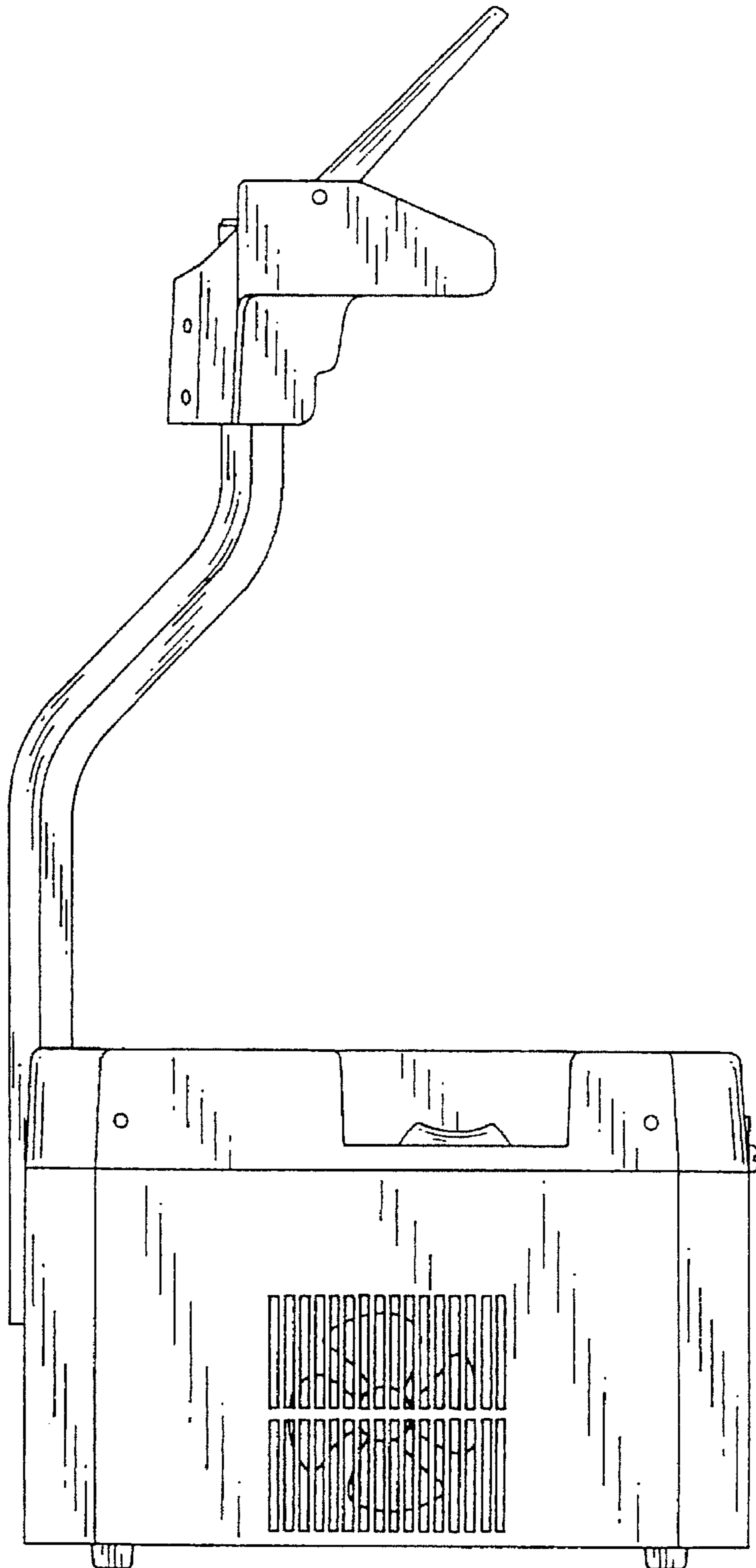


Fig. 6

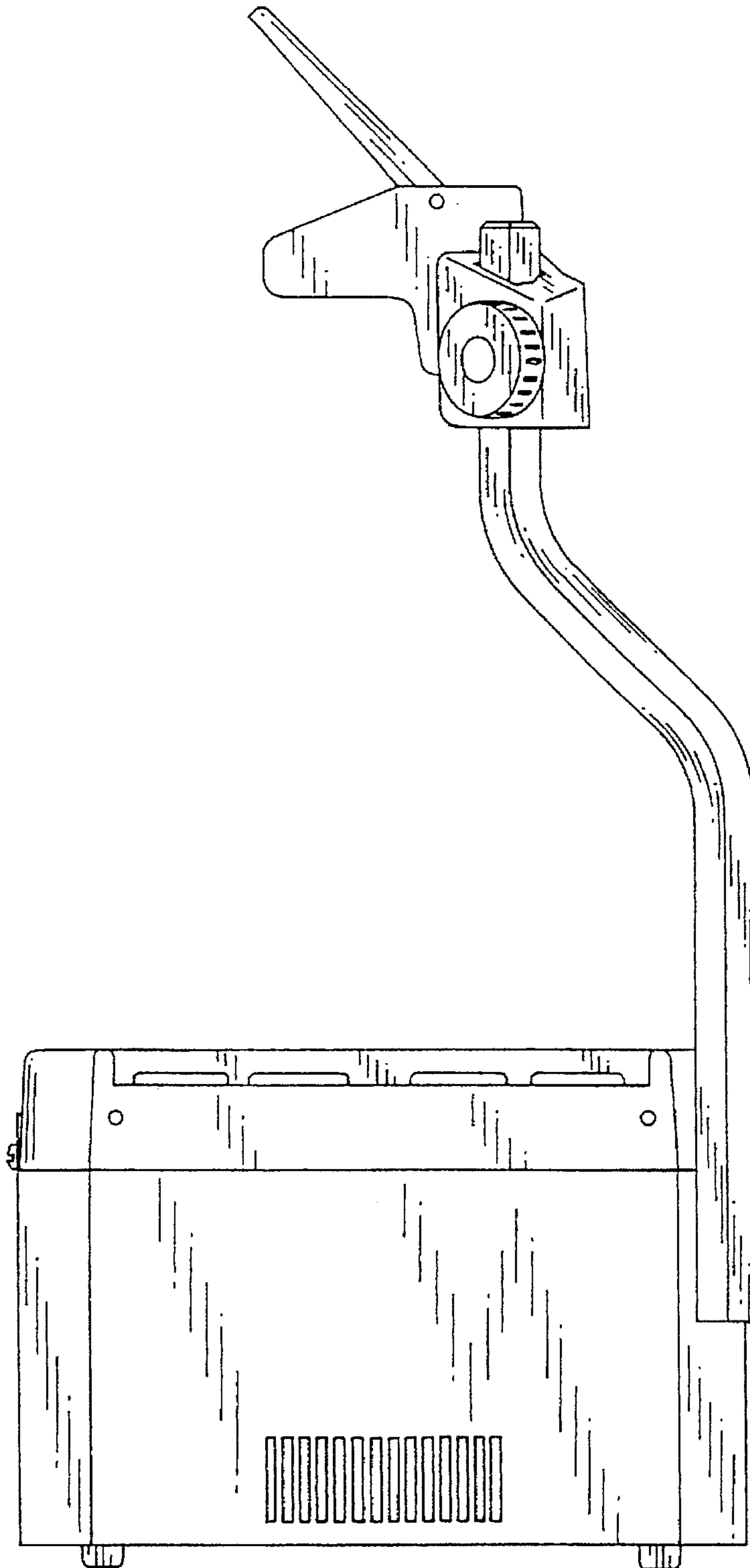


Fig. 7

