



US00D381346S

# United States Patent [19]

Ronzani et al.

[11] Patent Number: Des. 381,346

[45] Date of Patent: \*\*Jul. 22, 1997

[54] HEAD-MOUNTABLE MATRIX DISPLAY

[75] Inventors: Peter A. Ronzani, Los Gatos; Jeffrey Jacobsen, Hollister, both of Calif.

[73] Assignee: Kopin Corporation, Taunton, Mass.

[\*\*] Term: 14 Years

[21] Appl. No.: 43,811

[22] Filed: Sep. 13, 1995

### Related U.S. Application Data

[63] Continuation of Ser. No. 14,559, Oct. 25, 1993, which is a continuation-in-part of Ser. No. 141,133, Oct. 21, 1993, abandoned.

[51] LOC (6) Cl. .... 16-06

[52] U.S. Cl. .... D16/130; D16/300

[58] Field of Search ..... D16/130, 300; 345/8; 348/794; 351/158

### [56] References Cited

#### U.S. PATENT DOCUMENTS

D. 300,476	3/1989	Sestak	.....	D16/130 X
3,375,375	3/1968	Abbey et al.	.	
3,923,370	12/1975	Mostrom	.....	350/55
4,028,725	6/1977	Lewis	.....	358/103
4,034,401	7/1977	Mann	.....	358/93
4,081,209	3/1978	Heller et al.	.....	350/174
4,109,145	8/1978	Graf	.....	250/201
4,181,405	1/1980	Cohen	.....	350/174
4,254,451	3/1981	Cochran, Jr.	.....	362/103
4,287,809	9/1981	Egli et al.	.....	89/41
4,361,384	11/1982	Bosserman	.....	350/174
4,636,866	1/1987	Hattori	.....	358/236
4,695,129	9/1987	Faessen et al.	.....	350/96.25
4,735,473	4/1988	Migozzi et al.	.....	350/3.7
4,751,691	6/1988	Pereara	.....	368/10
4,753,514	6/1988	Kubik	.....	350/174
4,755,023	7/1988	Evans et al.	.....	350/174
4,757,714	7/1988	Purdy et al.	.....	73/597
4,761,056	8/1988	Evans et al.	.....	350/174
4,806,011	2/1989	Bettinger	.....	351/158
4,952,024	8/1990	Gale	.....	350/143
5,003,300	3/1991	Wells	.....	340/705
5,034,809	7/1991	Katoh	.....	358/88

5,050,966	9/1991	Berman	.....	359/38
5,093,567	3/1992	Staveley	.....	250/221
5,106,179	4/1992	Kamaya et al.	.....	351/158
5,162,828	11/1992	Furness et al.	.....	353/122
5,276,471	1/1994	Yamauchi et al.	.....	345/8 X
5,281,957	1/1994	Schoolman	.....	345/8
5,305,244	4/1994	Newman et al.	.....	364/708.1
5,347,400	9/1994	Hunter	.....	359/742
5,371,556	12/1994	Suwa et al.	.....	351/158

### FOREIGN PATENT DOCUMENTS

344881	6/1989	European Pat. Off.	.....	D16/130
0 344 881	12/1989	European Pat. Off.	.	
0 438 362 A1	7/1991	European Pat. Off.	.	
454 443 A3	10/1991	European Pat. Off.	.	
0 551 781 A1	7/1992	European Pat. Off.	.	
0 539 907 A3	5/1993	European Pat. Off.	.	
551781	7/1993	European Pat. Off.	.....	D16/130
551 781 A1	7/1993	European Pat. Off.	.....	D16/130

(List continued on next page.)

### OTHER PUBLICATIONS

Katz "Low Cost Helmet Mounted Display and Eye Tracking Concepts" *MaK Technologies, Inc.* Presentation, May 15, 1991 63 pages.

*Primary Examiner*—Louis S. Zarfaz  
*Assistant Examiner*—Monica A. Hannon  
*Attorney, Agent, or Firm*—Hamilton, Brook, Smith & Reynolds, P.C.

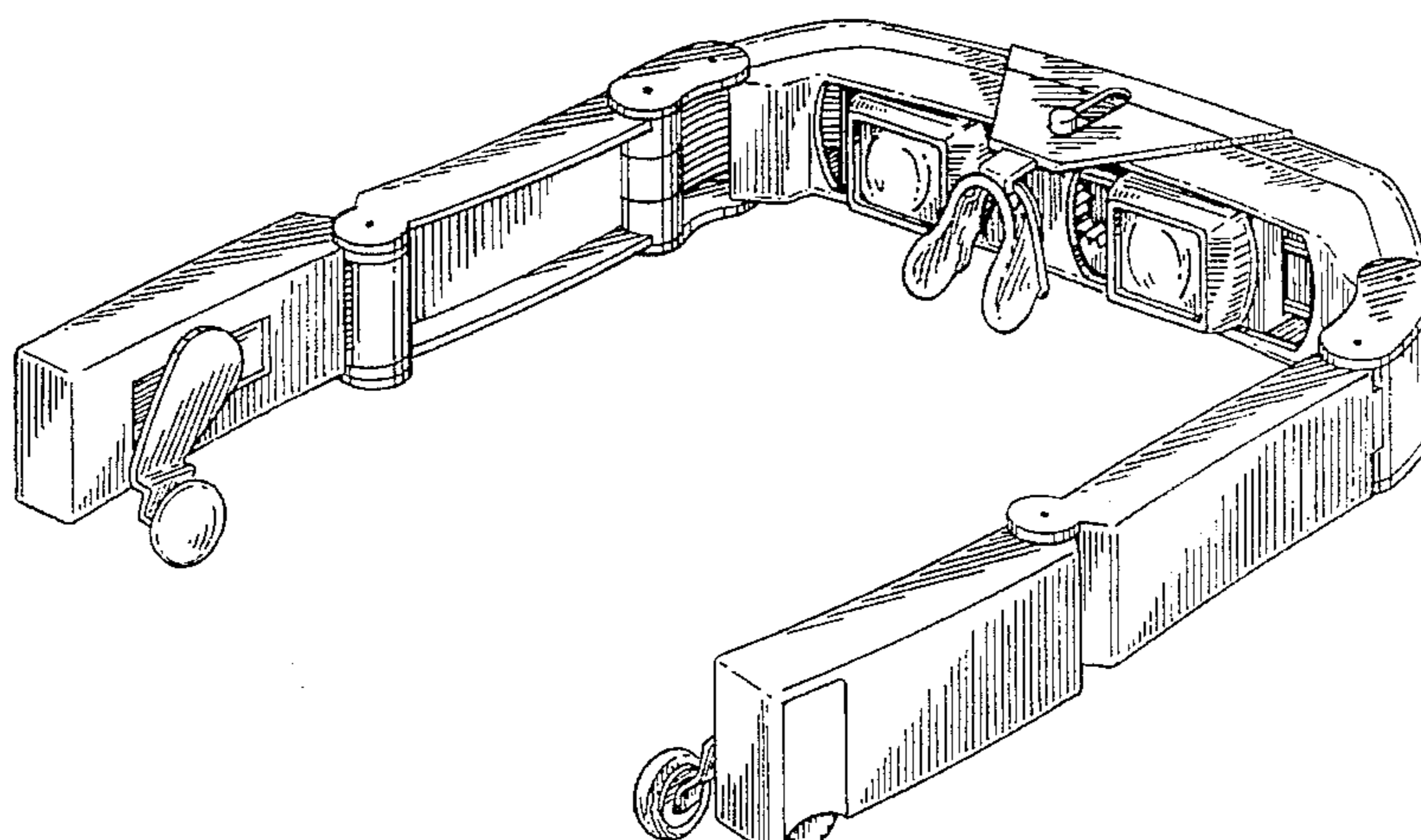
### [57] CLAIM

The ornamental design for a head-mountable matrix display.

### DESCRIPTION

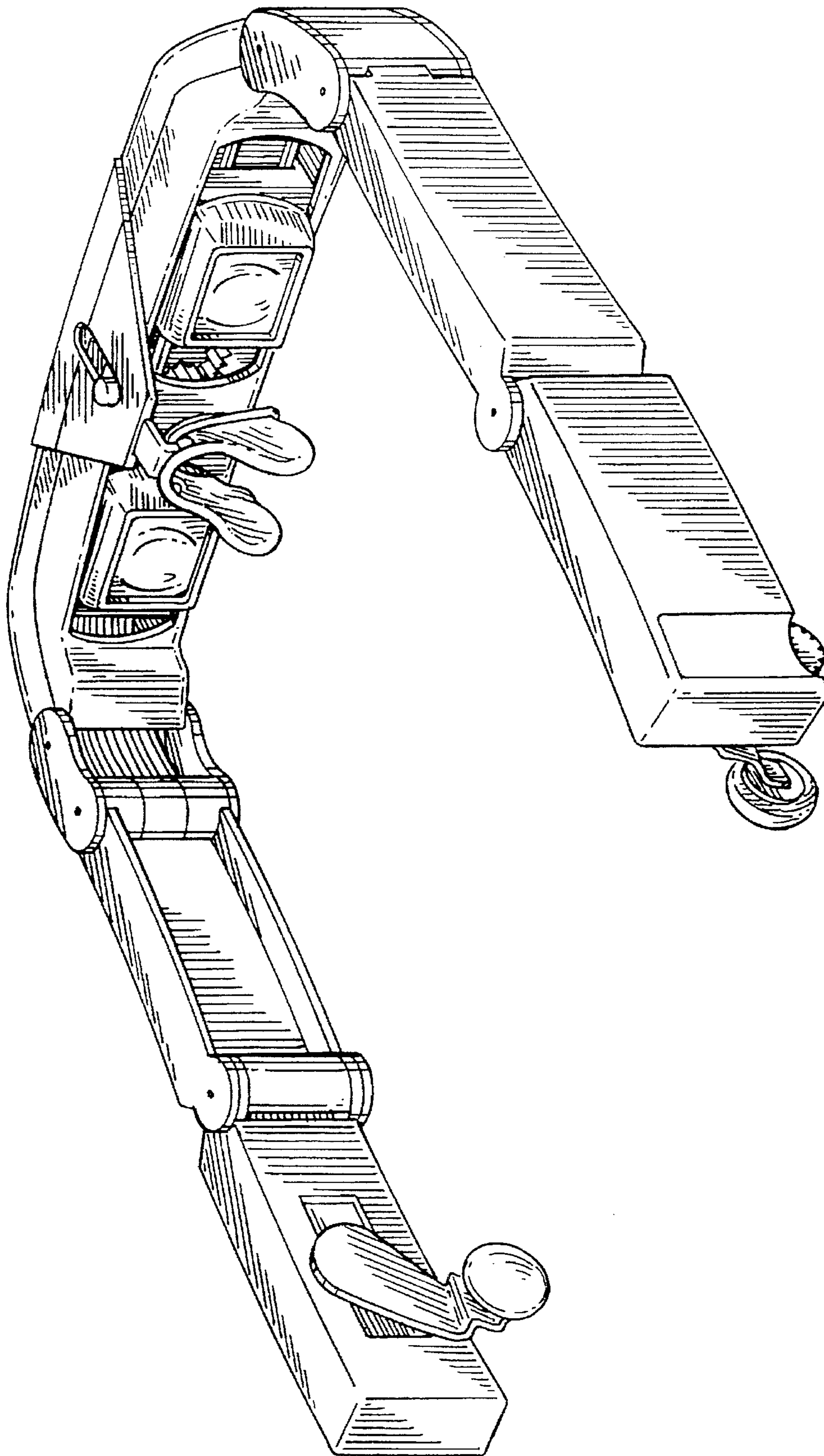
FIG. 1 is a right rear perspective view of a head-mountable matrix display embodying our design; FIG. 2 is a top view thereof; FIG. 3 is a left side elevation thereof; FIG. 4 is a rear view thereof; FIG. 5 is a bottom view thereof; FIG. 6 is a front view thereof; and, FIG. 7 is a left rear perspective view thereof with arms folded.

1 Claim, 5 Drawing Sheets



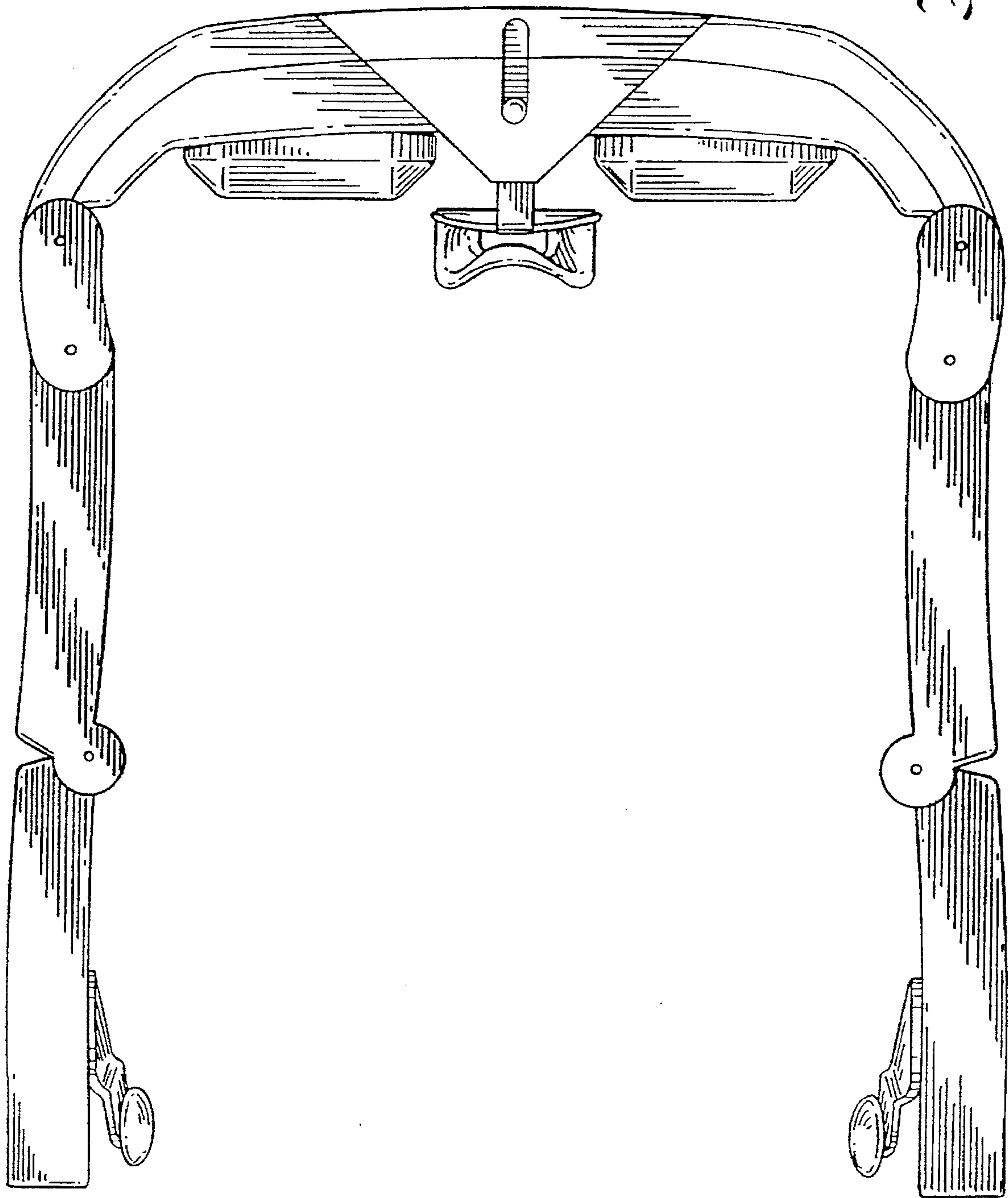
FOREIGN PATENT DOCUMENTS

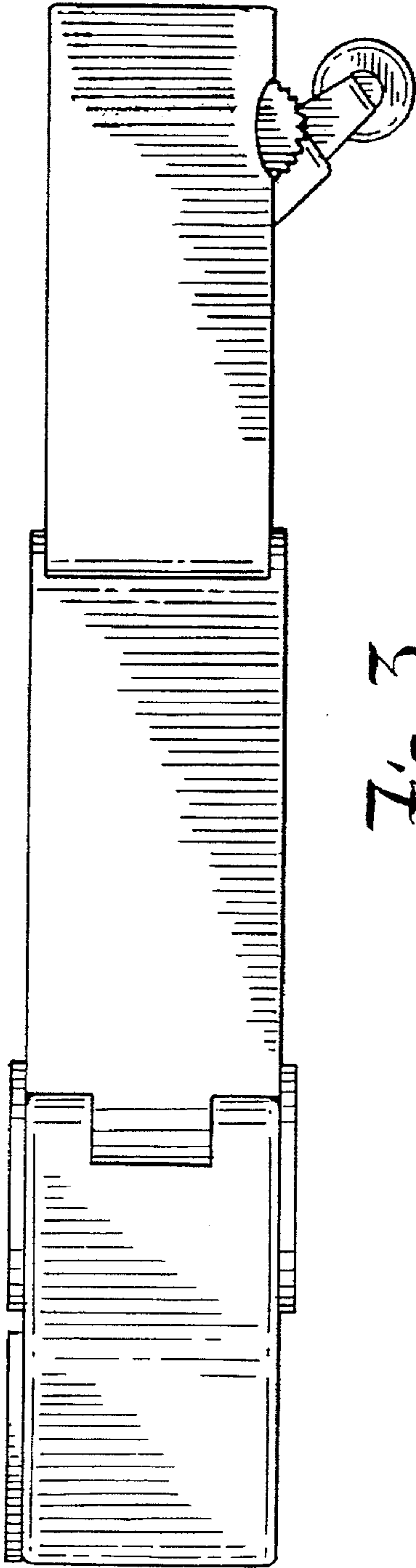
2522804	9/1983	France .	60-046019	3/1985	Japan .
2612351	9/1988	France .	1259580	10/1989	Japan .
2715446	10/1978	Germany .	91/04508	4/1991	WIPO .
54-093378	7/1979	Japan .	WO 93/01583	1/1993	WIPO .
			93/23783	11/1993	WIPO .
			94/19595	8/1994	WIPO .



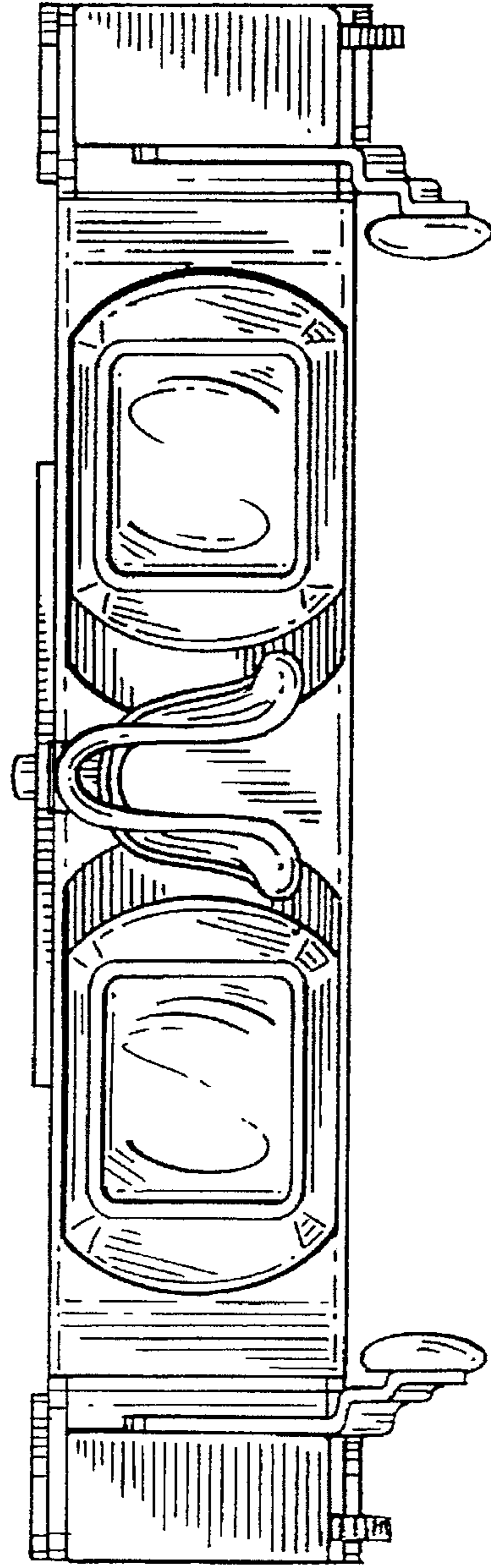
*Fig. 1*

*Fig. 2*





*Fig. 3*



*Fig. 4*

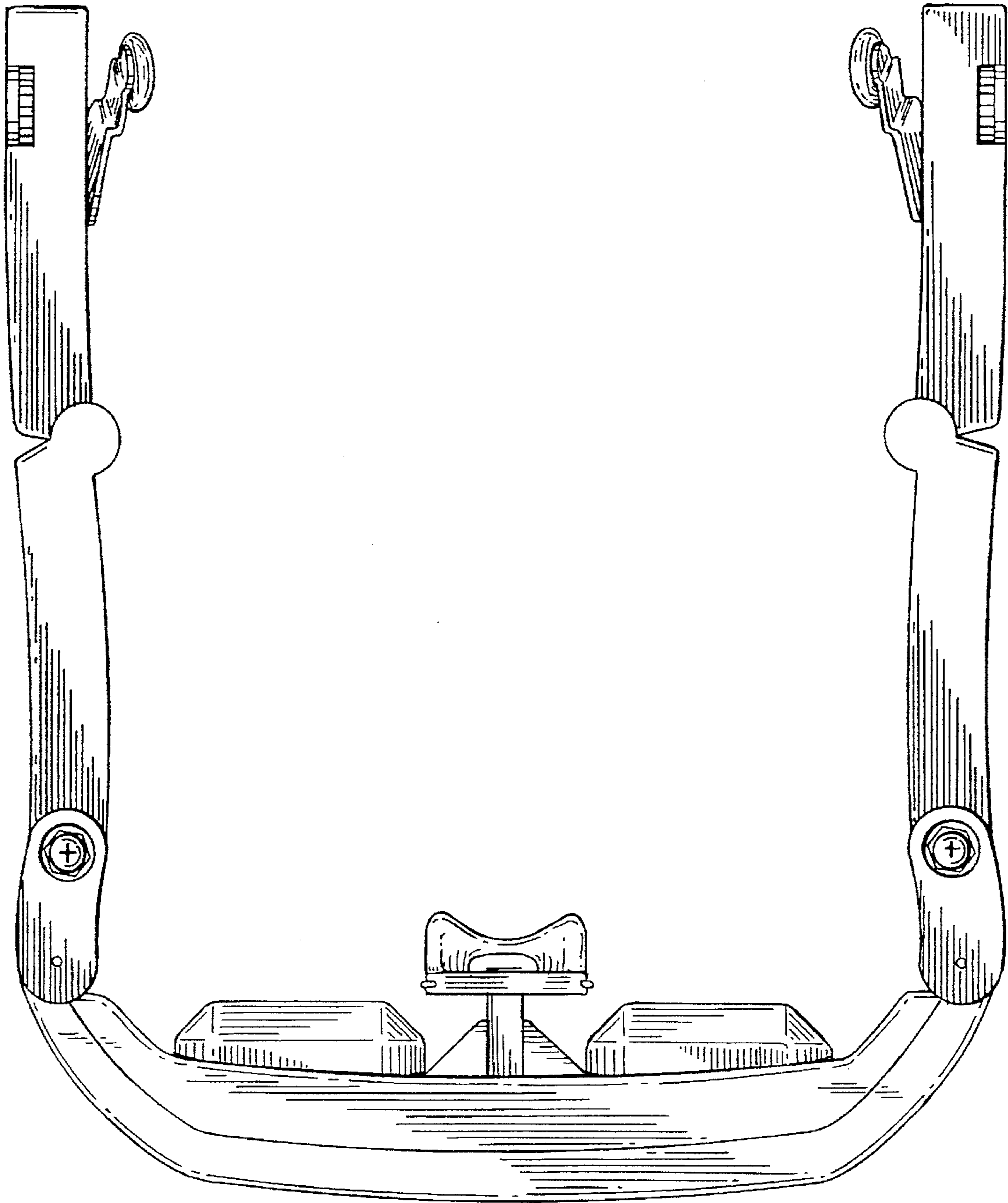
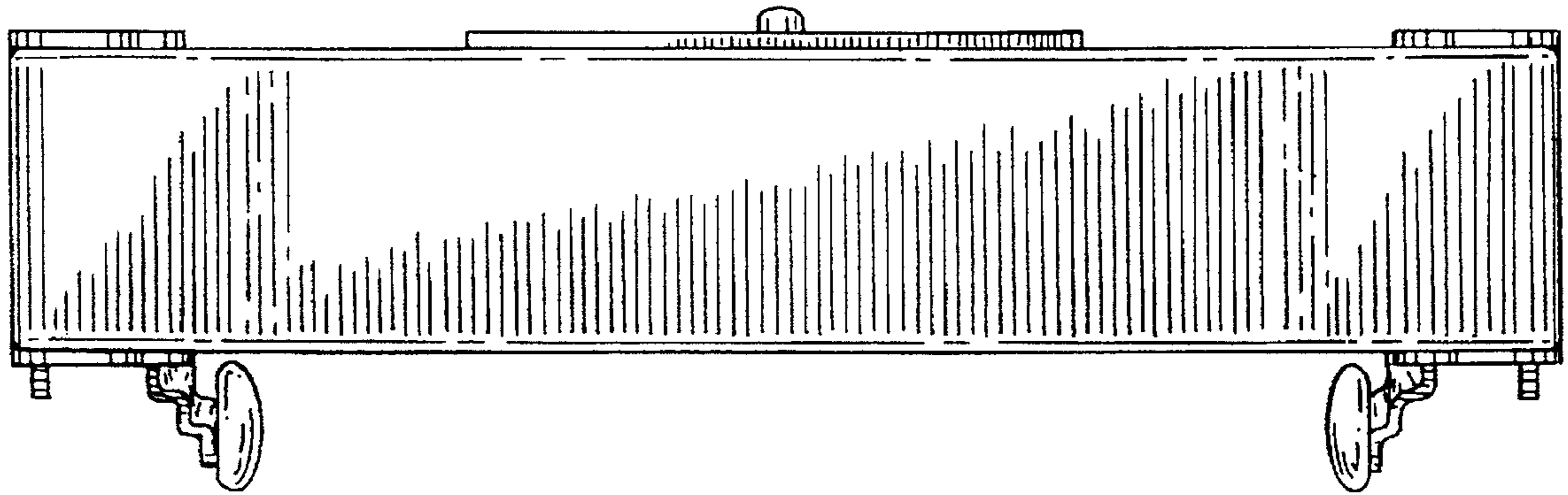
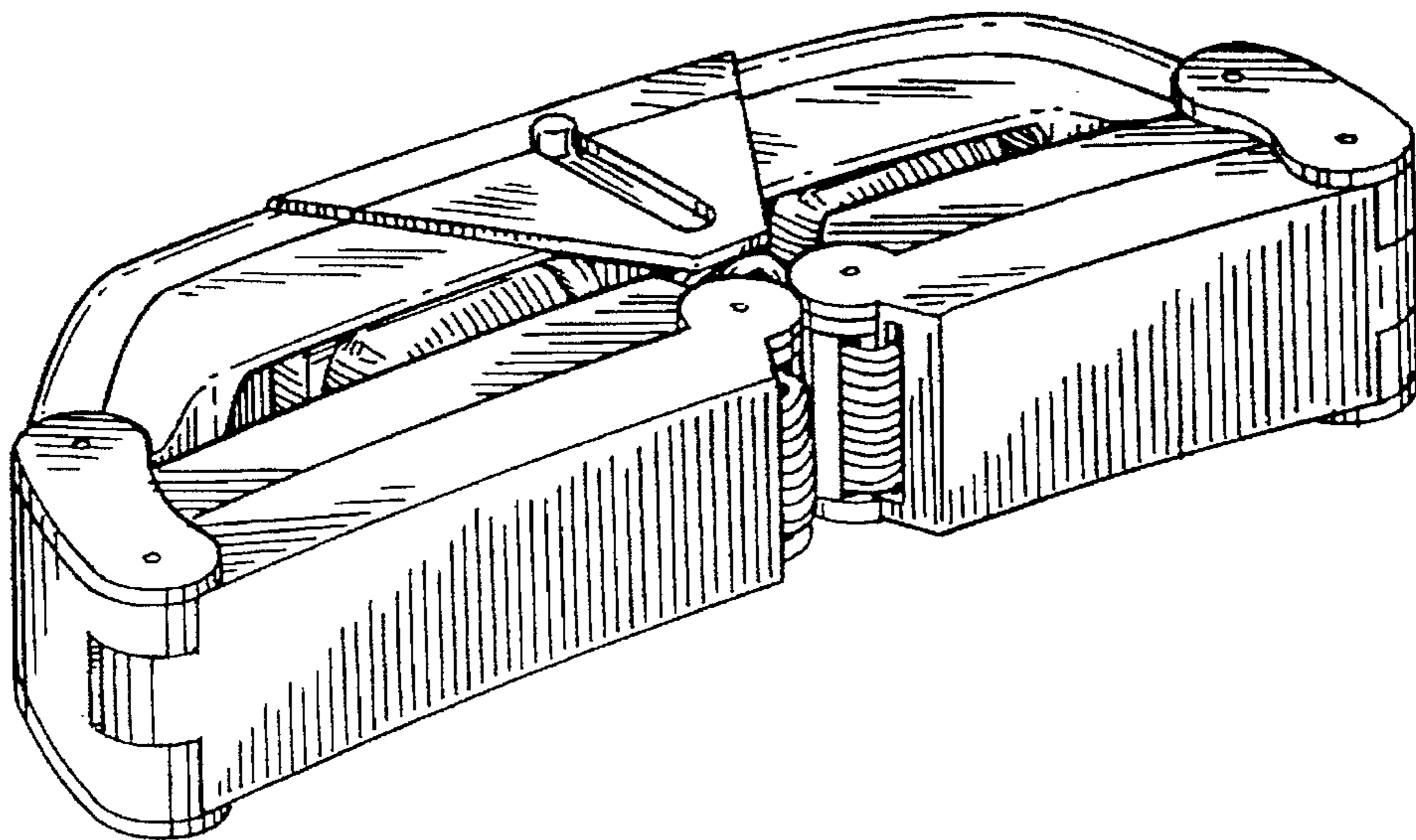


Fig. 5



*Fig. 6*



*Fig. 7*