



US00D381341S

United States Patent [19]

Goebert et al.

[11] Patent Number: **Des. 381,341**

[45] Date of Patent: ****Jul. 22, 1997**

[54] **OUTER SURFACE OF A TRACTOR HOOD**

[75] Inventors: **Barry Joseph Goebert**, Beaver Dam, Wis.; **Daniel Robert Nickles**, Hewitt; **William Edward Crookes**, Waldwick, both of N.J.

[73] Assignee: **Deere & Company**, Moline, Ill.

[**] Term: **14 Years**

[21] Appl. No.: **41,523**

[22] Filed: **Jul. 17, 1995**

[51] LOC (6) Cl. **15-03**

[52] U.S. Cl. **D15/31; D15/17**

[58] Field of Search D15/10, 14-17, D15/22-26, 28, 31; D12/164, 165, 173; 56/13.4, 16.7, 17.5, 202, 255, 294, 320.1, 320.2; 180/69.21, 89.1, 89.12, 900

[56] **References Cited**

U.S. PATENT DOCUMENTS

D. 193,838 10/1962 Dreyfuss D15/31

D. 296,557	7/1988	Williams	D15/11
D. 310,374	9/1990	Westmayer et al.	D15/15
D. 311,543	10/1990	Hardzinski et al.	D15/17
D. 329,242	9/1992	Holm et al.	D15/17
D. 341,365	11/1993	Little et al.	D15/31
5,193,636	3/1993	Holm	180/68.1

Primary Examiner—Sandra L. Morris

[57] **CLAIM**

The ornamental design for an outer surface of a tractor hood, as shown and described.

DESCRIPTION

FIG. 1 is an elevated front perspective view of an outer surface of a tractor hood showing our new design, the broken line showing of the tractor is for illustrative purposes only, and forms no part of the claimed design; FIG. 2 is an enlarged plan view thereof; FIG. 3 is an enlarged left side elevational view thereof; FIG. 4 is an enlarged right side elevational view thereof; FIG. 5 is an enlarged rear elevational view thereof; and, FIG. 6 is an enlarged front elevational view thereof.

1 Claim, 5 Drawing Sheets

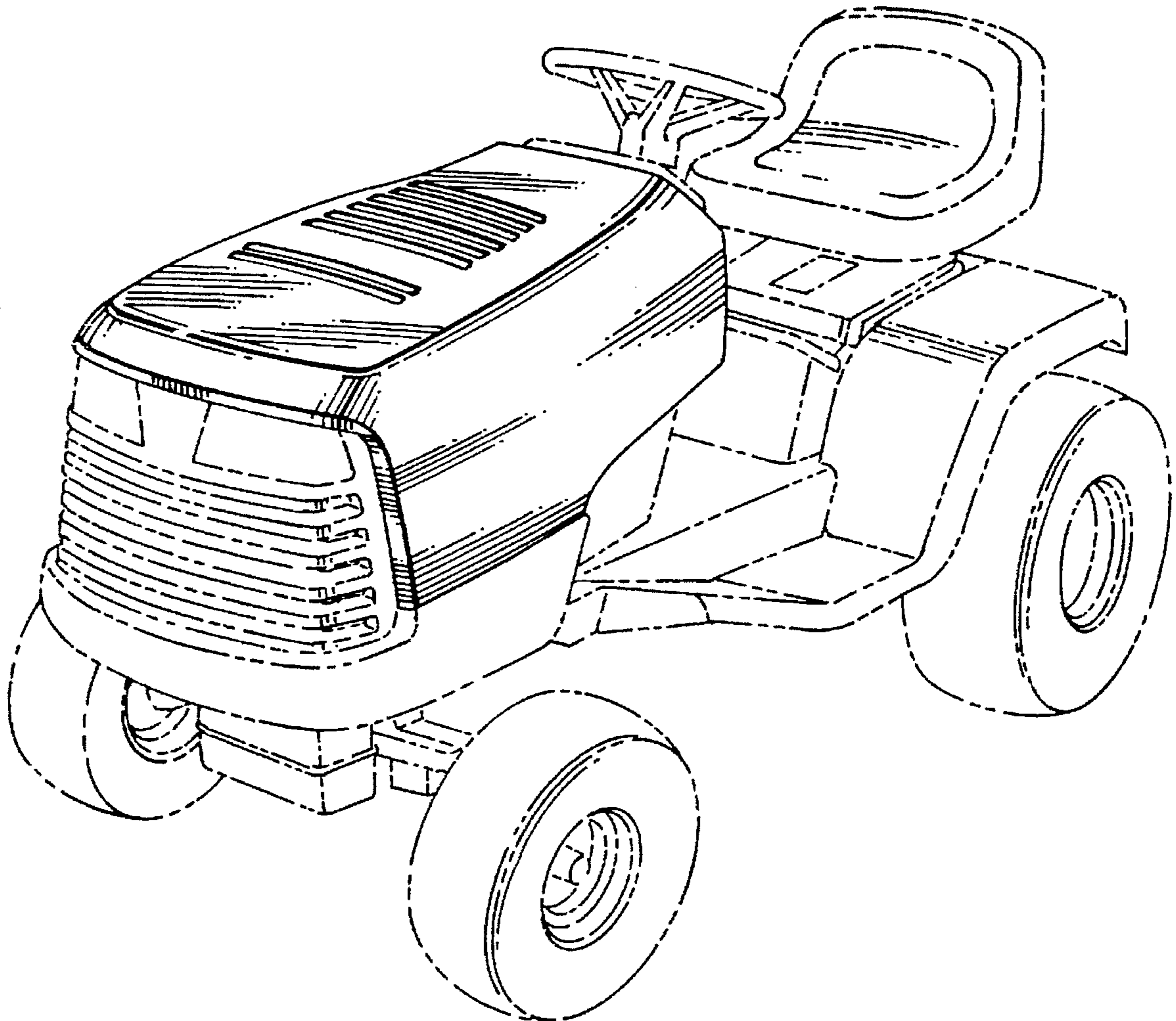
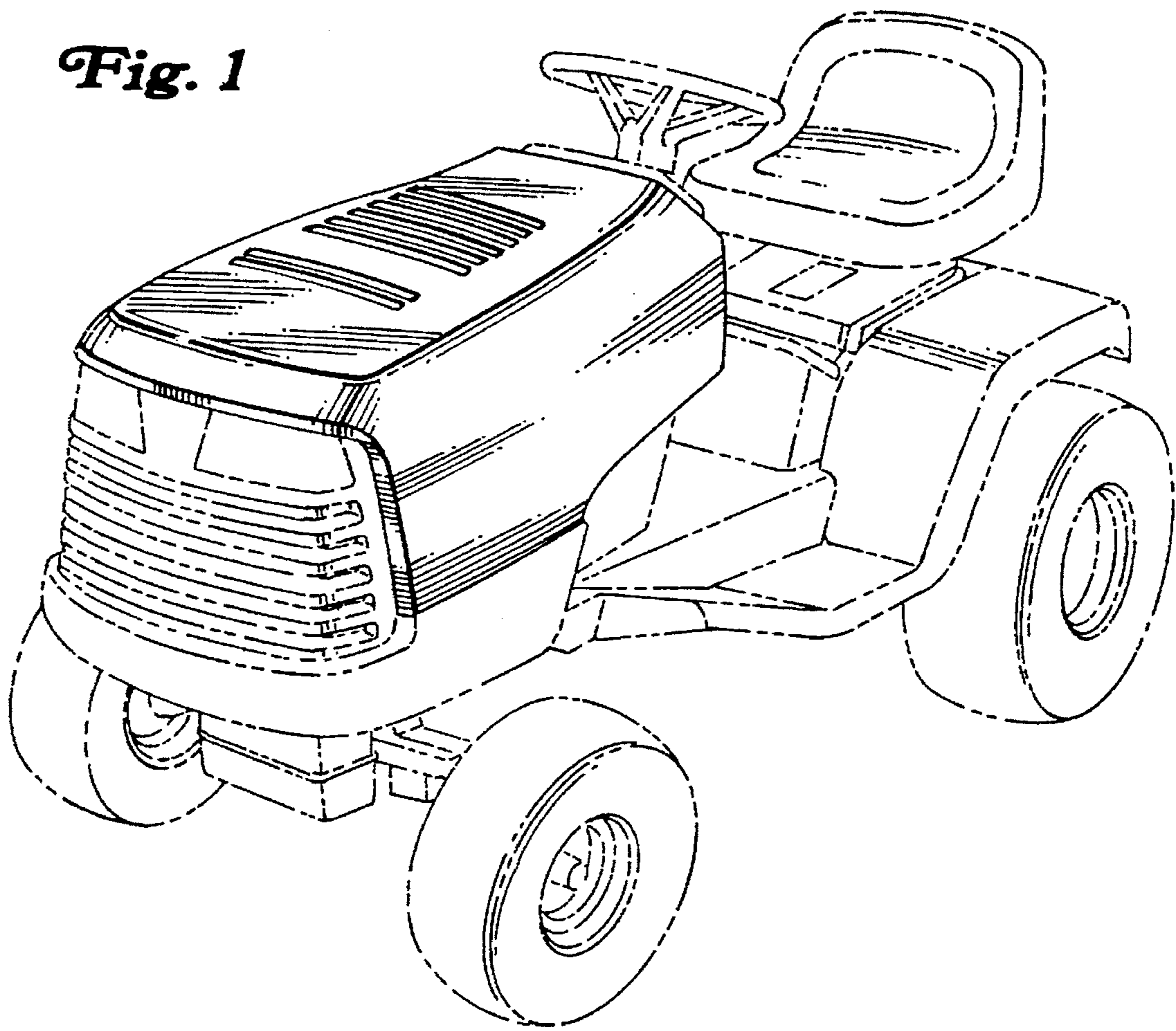


Fig. 1



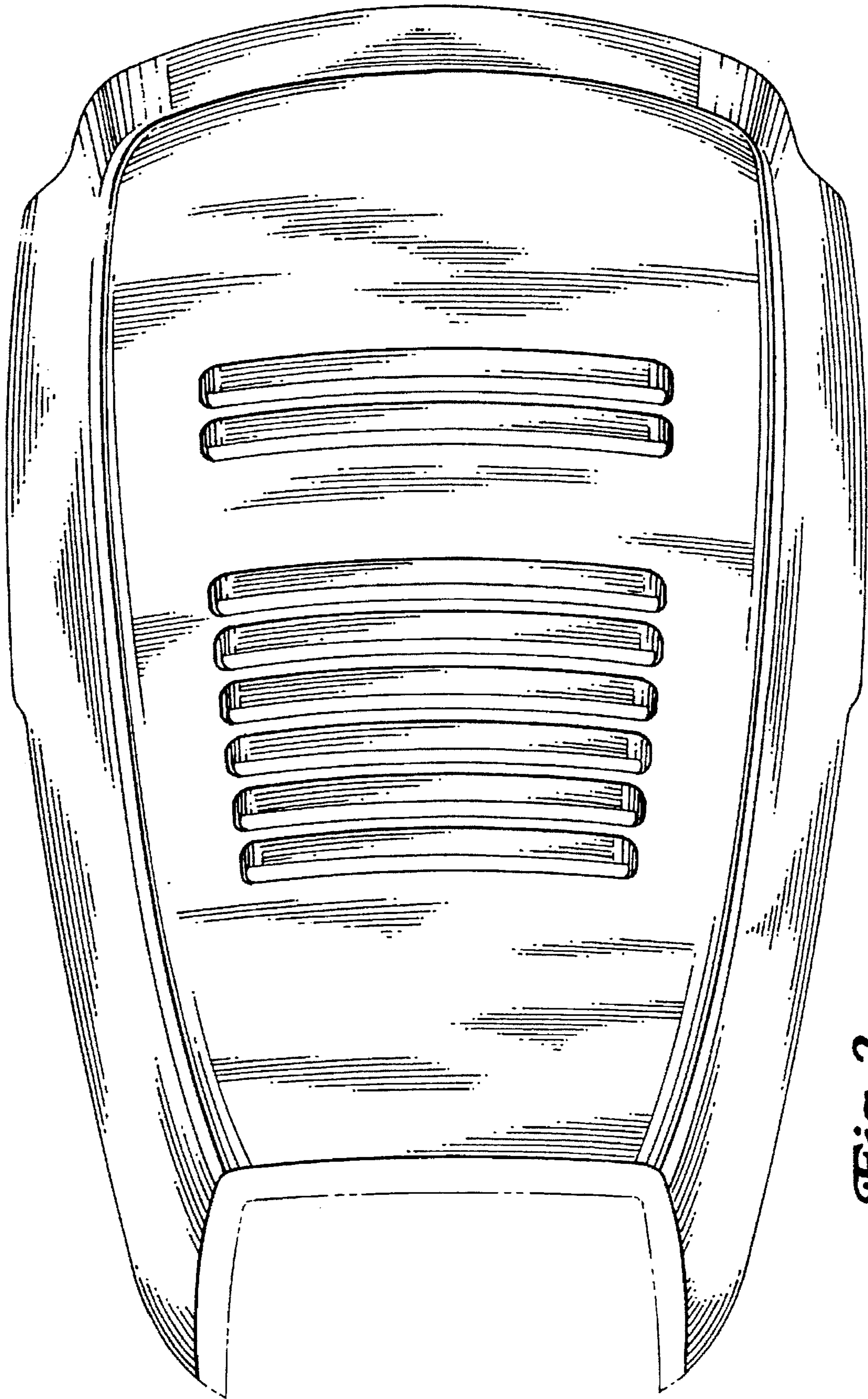


Fig. 2

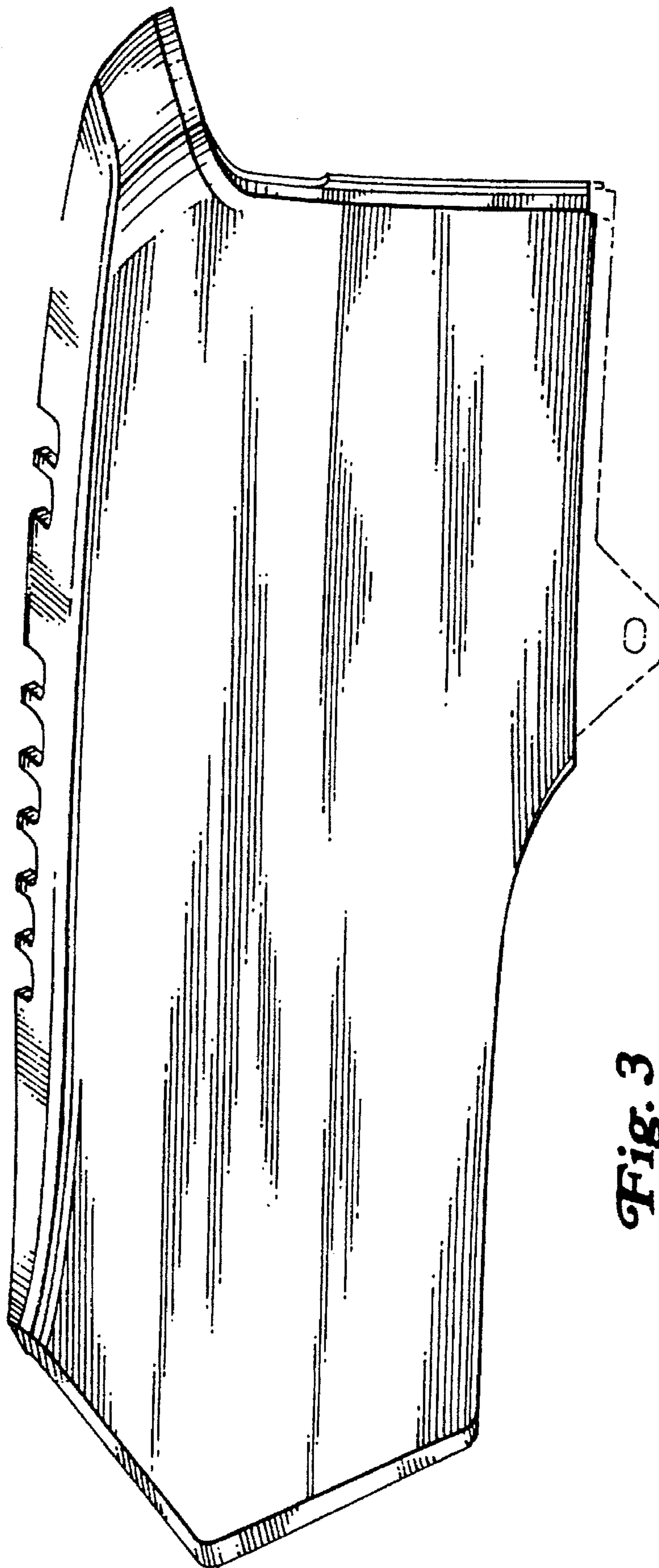


Fig. 3

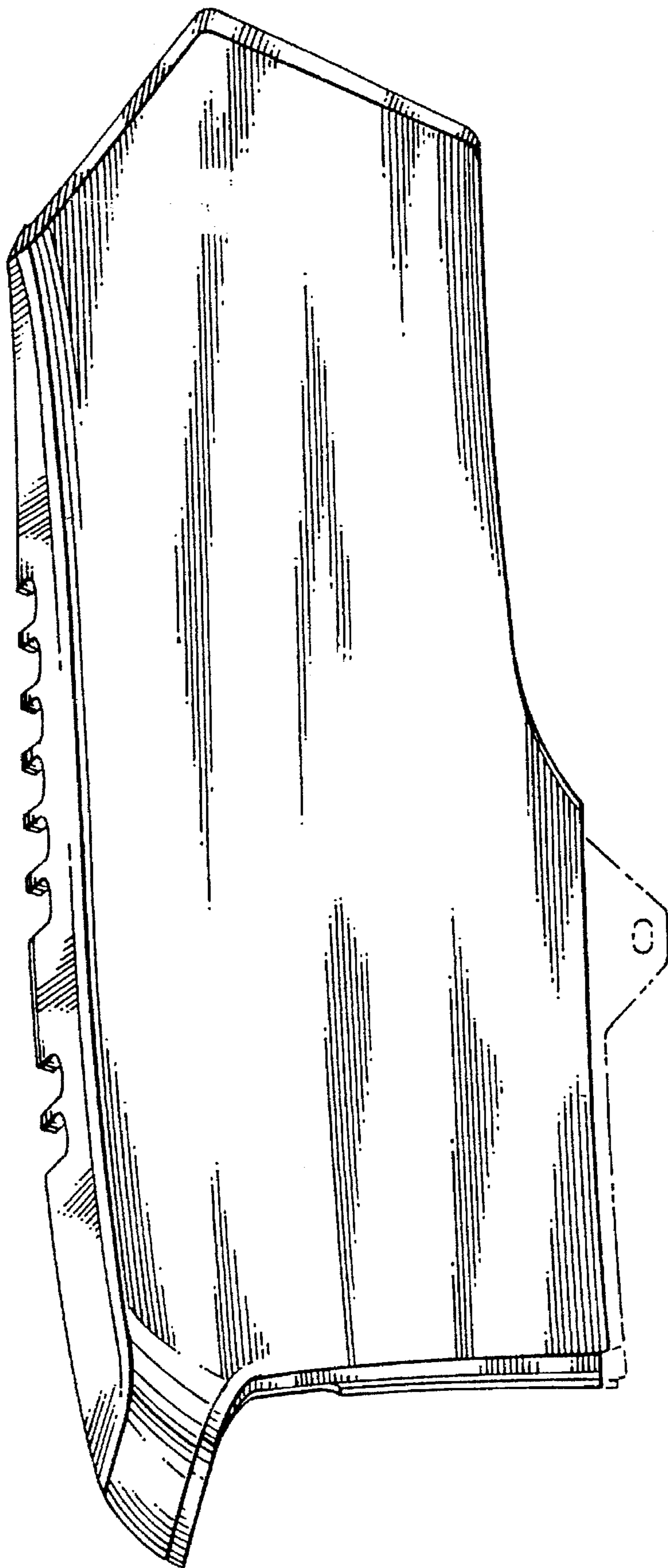


Fig. 4

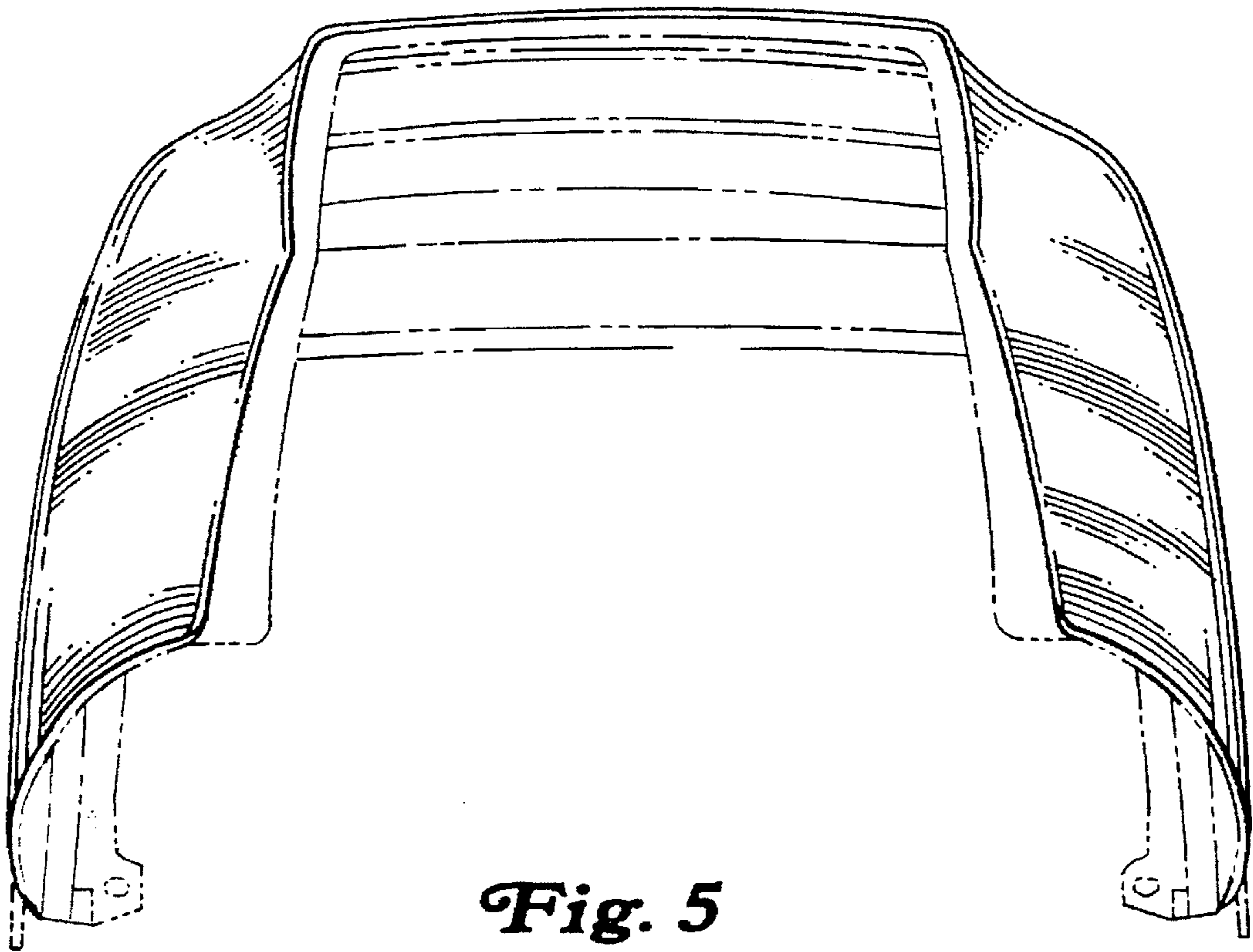


Fig. 5

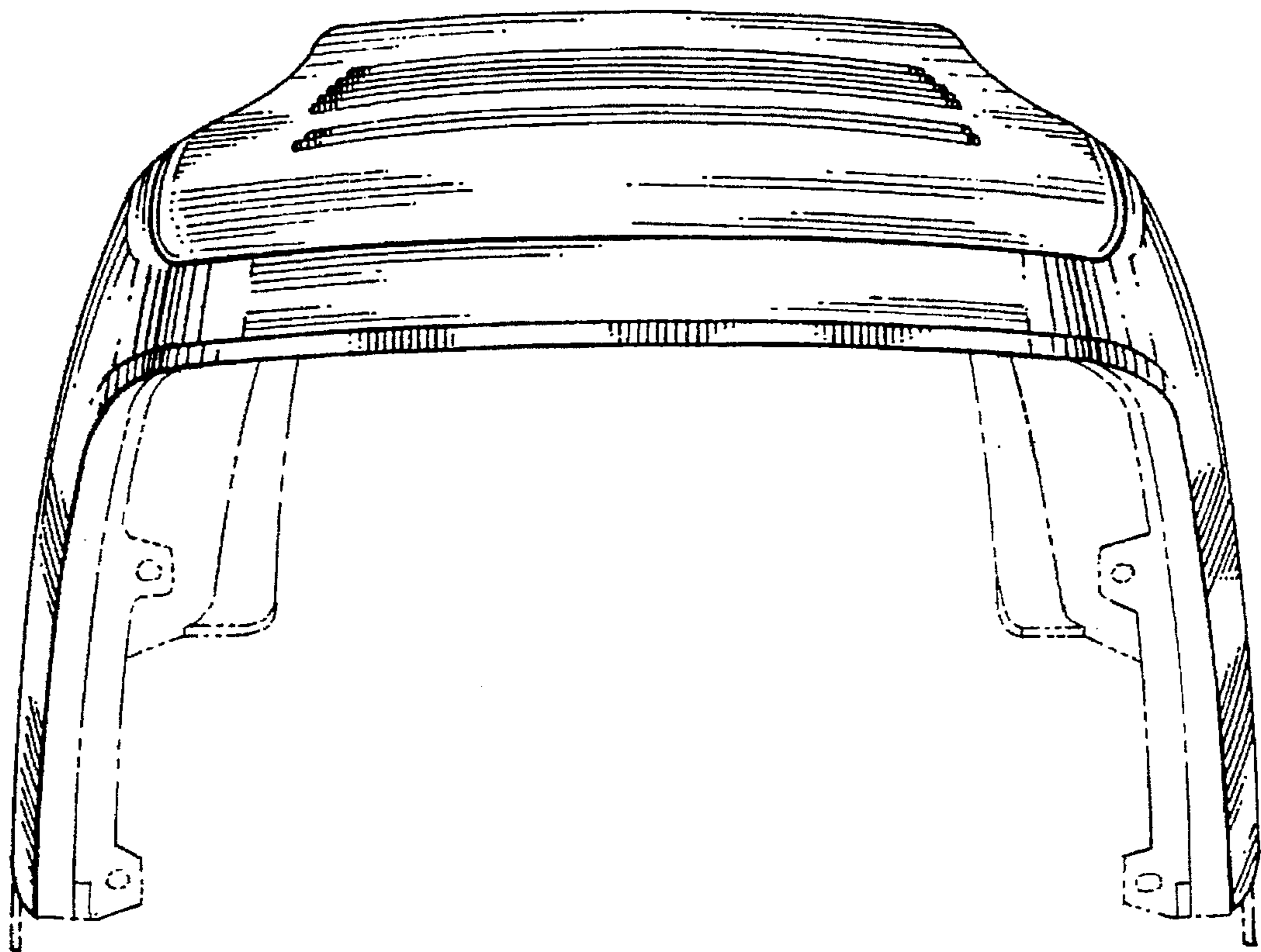


Fig. 6