



US00D381340S

United States Patent [19]

Takenaka et al.

[11] Patent Number: **Des. 381,340**

[45] Date of Patent: ****Jul. 22, 1997**

[54] **COMPRESSOR FOR A VEHICLE AIR CONDITIONER**

D. 356,862 3/1995 Ito et al. D23/325
5,470,207 11/1995 Shockey et al. 417/360

[75] Inventors: **Kenji Takenaka; Hiroaki Kayukawa; Kazushige Muraio; Takahiro Hamaoka**, all of Kariya, Japan

OTHER PUBLICATIONS

J.C. Whitney & Co. Catalog, Cat. No. 468K, p. 13 at middle, Mar. 1996.

[73] Assignee: **Kabushiki Kaisha Toyoda Jidoshokki Seisakusho**, Kariya, Japan

Primary Examiner—Louis S. Zarfaz
Assistant Examiner—Frank Martinez
Attorney, Agent, or Firm—Brooks Haidt Haffner & Delahunty

[**] Term: **14 Years**

[21] Appl. No.: **45,575**

[57] CLAIM

[22] Filed: **Oct. 24, 1995**

The ornamental design for a compressor for a vehicle air conditioner, as shown and described.

[30] Foreign Application Priority Data

Apr. 27, 1995 [JP] Japan 7-12189

DESCRIPTION

[51] LOC (6) Cl. **15-02**

[52] U.S. Cl. **D15/9**

[58] Field of Search D15/5, 7, 9; D23/324, D23/325, 352, 354; 417/366, 223, 231, 205, 415

FIG. 1 is a front perspective view of a compressor for a vehicle air conditioner showing our new design; FIG. 2 is a rear perspective view thereof; FIG. 3 is a front elevational view thereof; FIG. 4 is a rear elevational view thereof; FIG. 5 is a bottom plan view thereof; FIG. 6 is a top plan view thereof; FIG. 7 is a left side elevational view thereof; and, FIG. 8 is a right side elevational view thereof.

[56] References Cited

U.S. PATENT DOCUMENTS

D. 351,603 10/1994 Ikeda et al. D15/9
D. 352,291 11/1994 Ikeda et al. D15/7

1 Claim, 4 Drawing Sheets

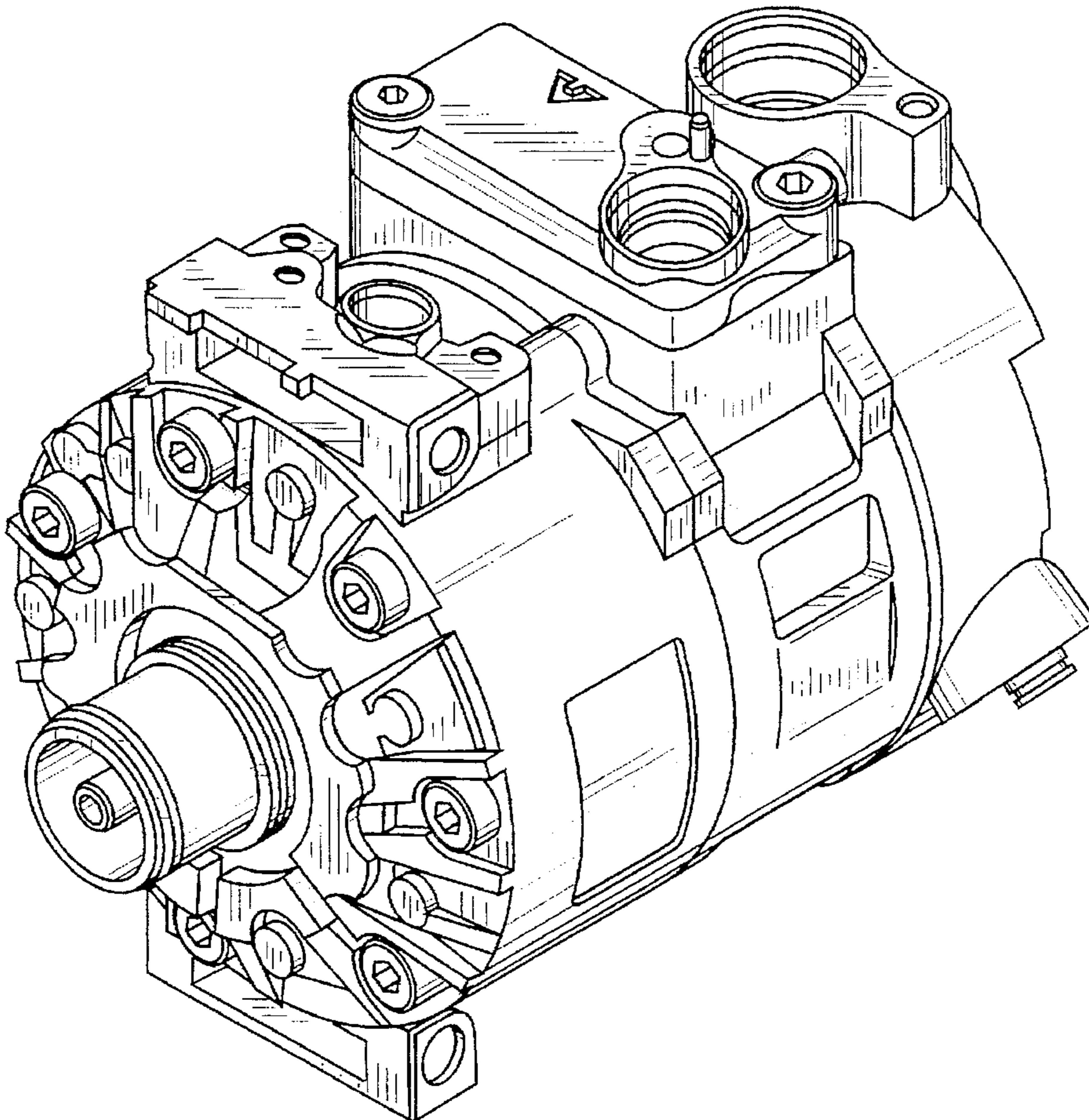


FIG. 1

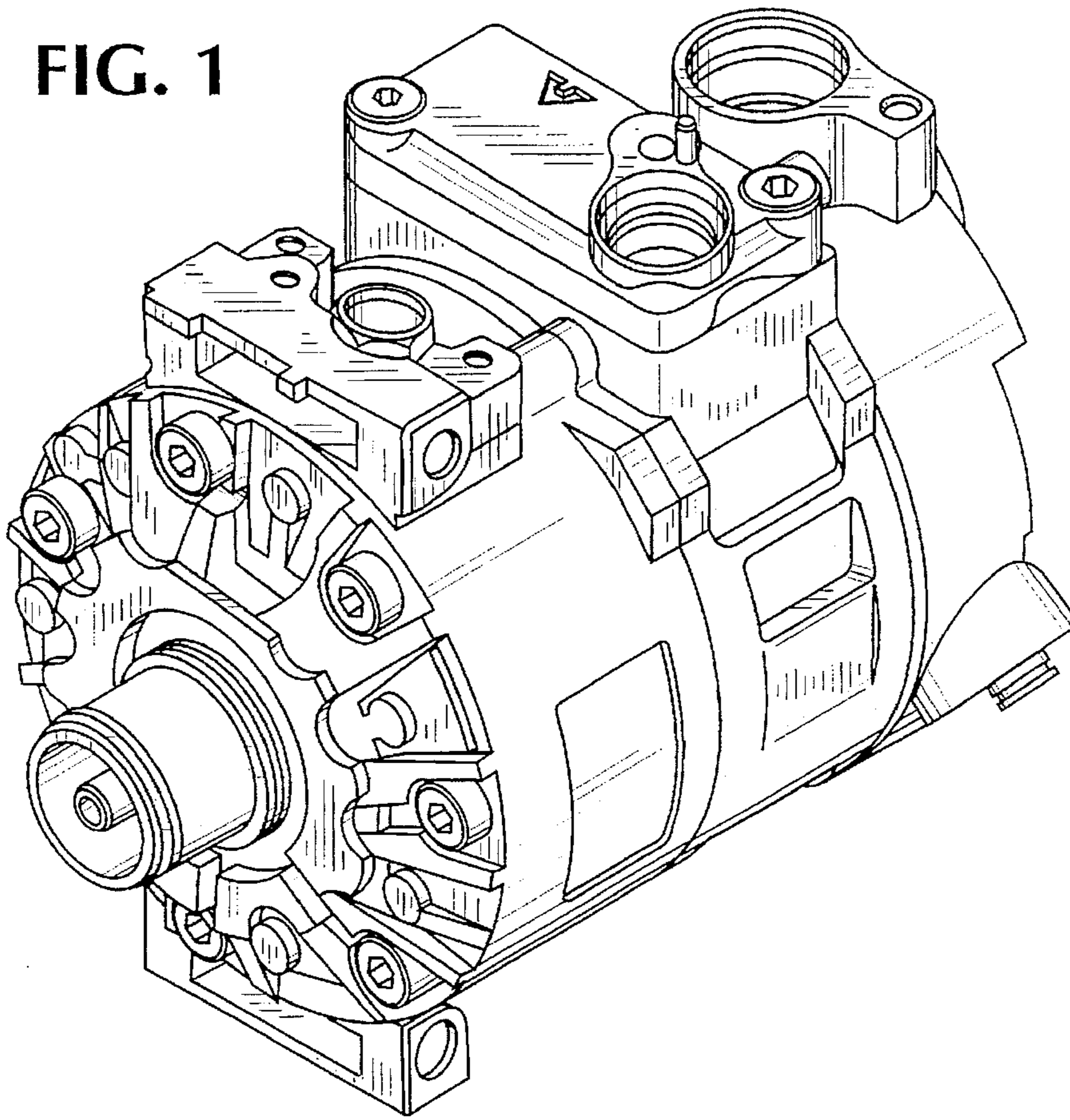


FIG. 2

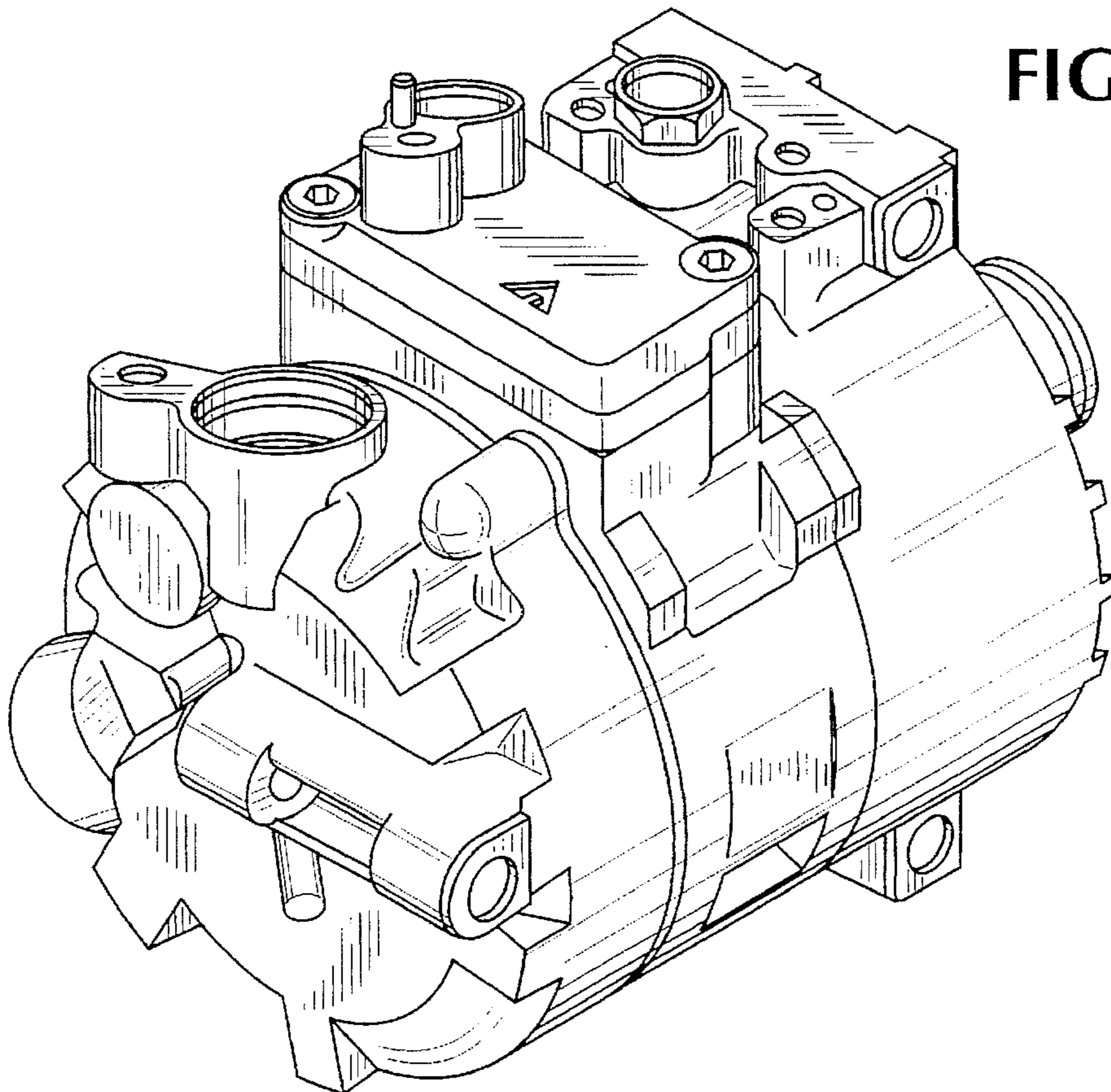


FIG. 3

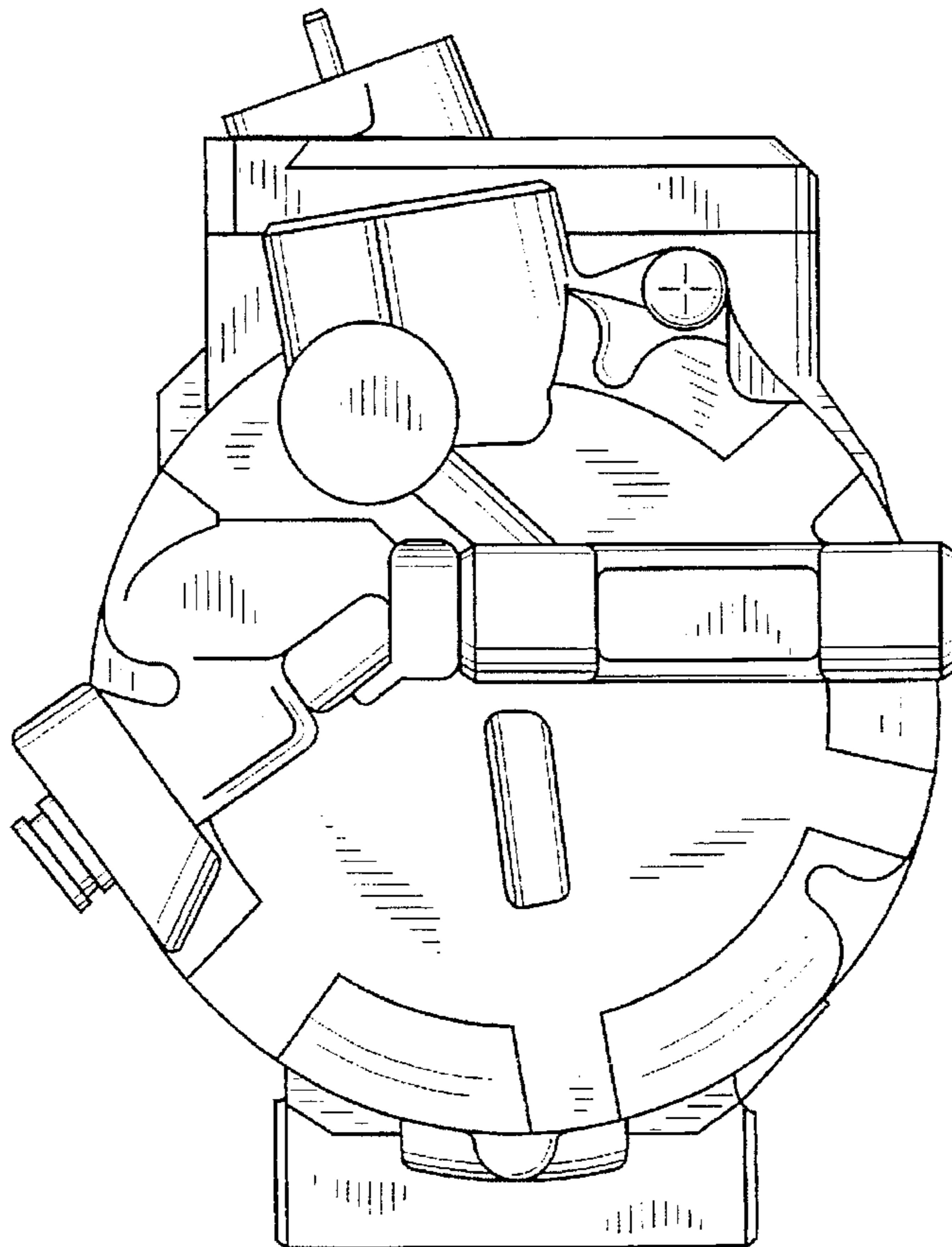
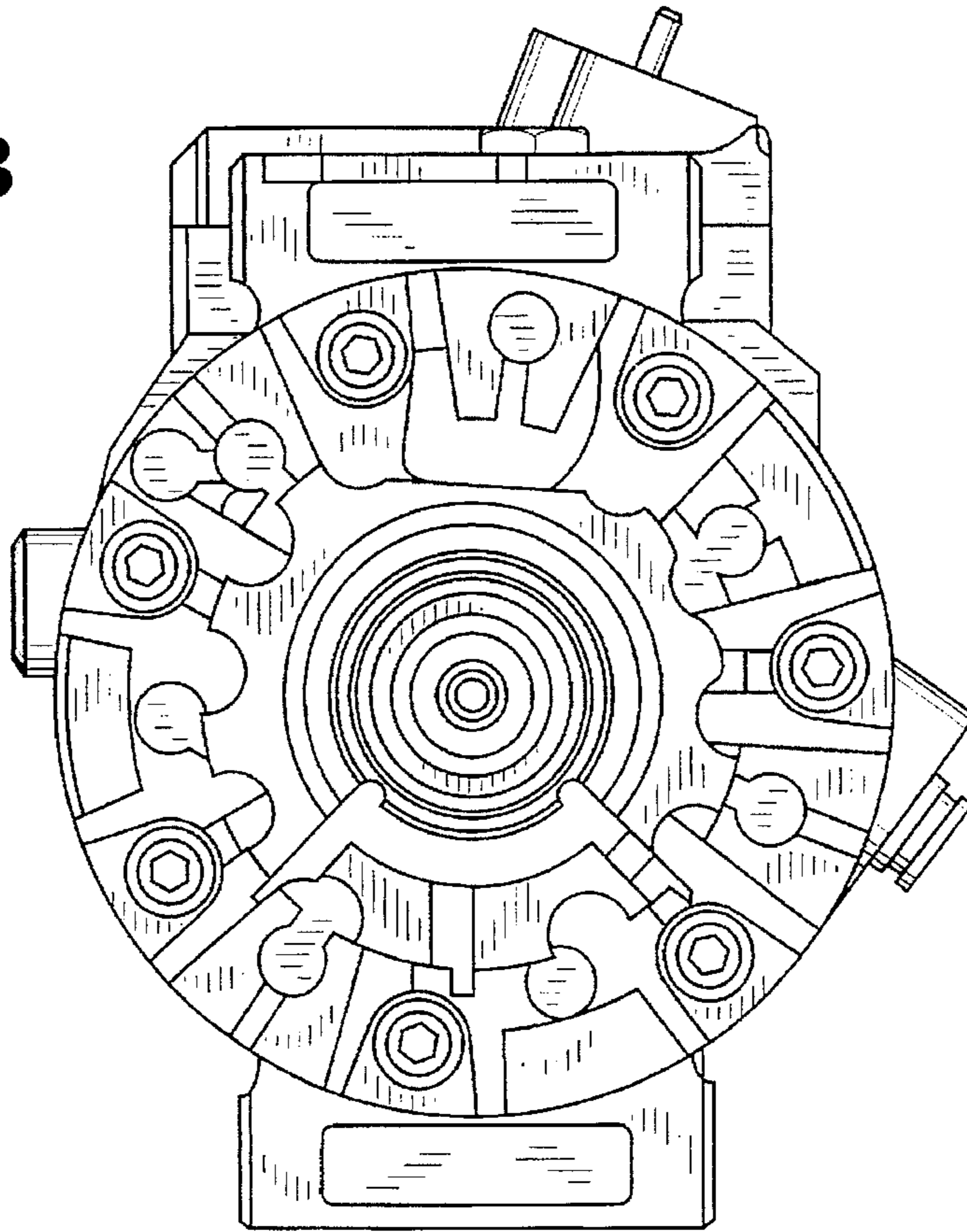


FIG. 4

FIG. 6

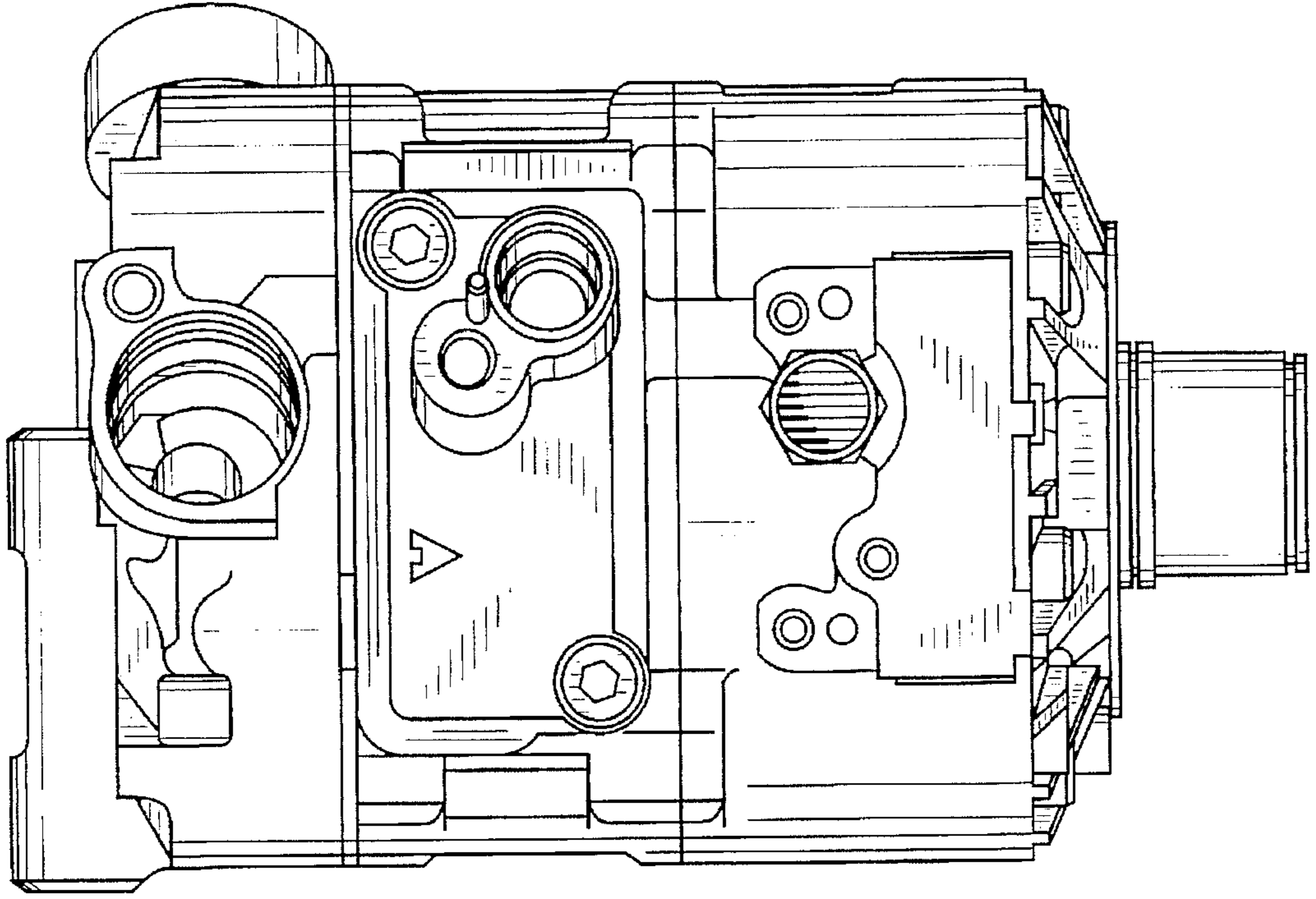
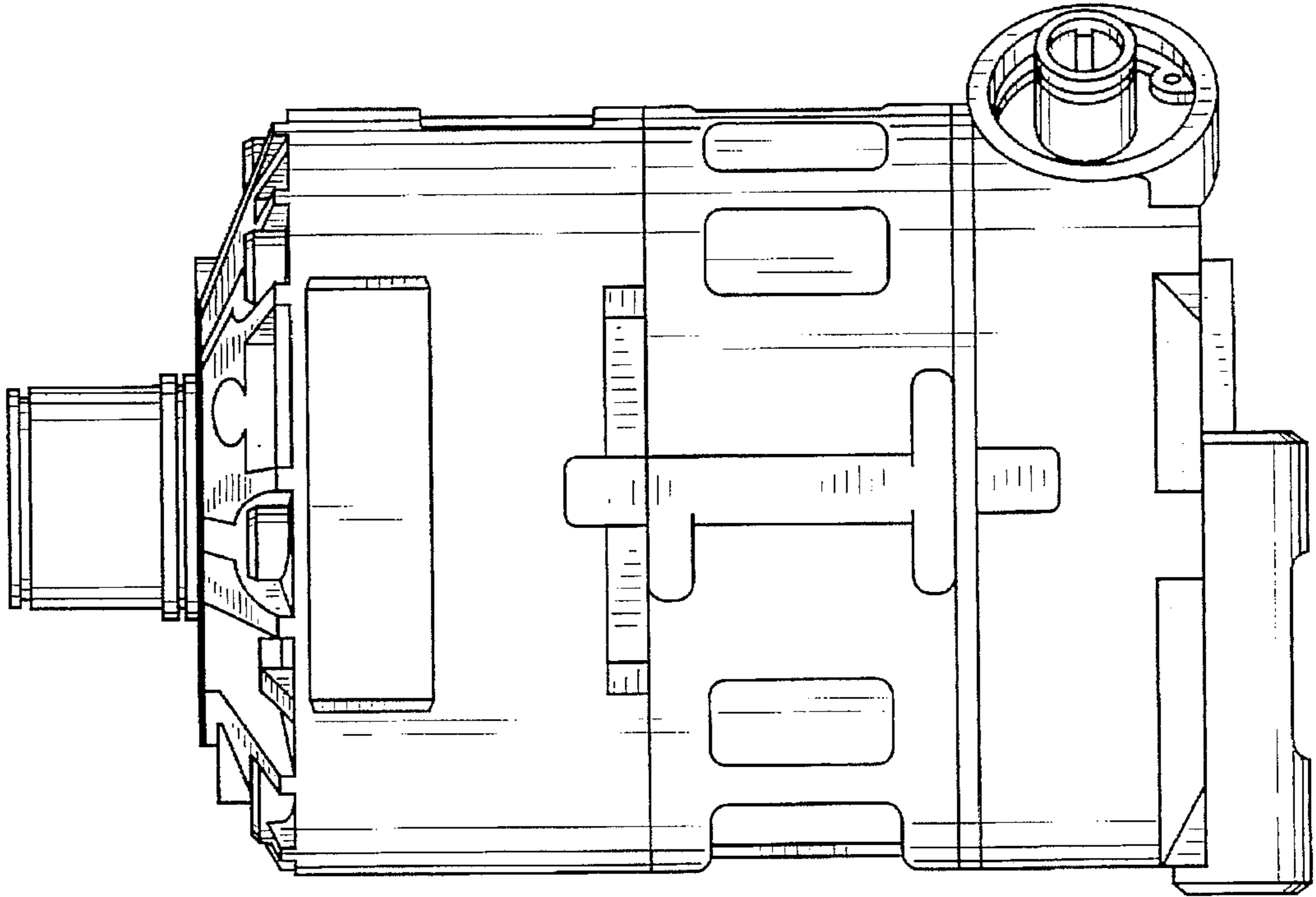


FIG. 5



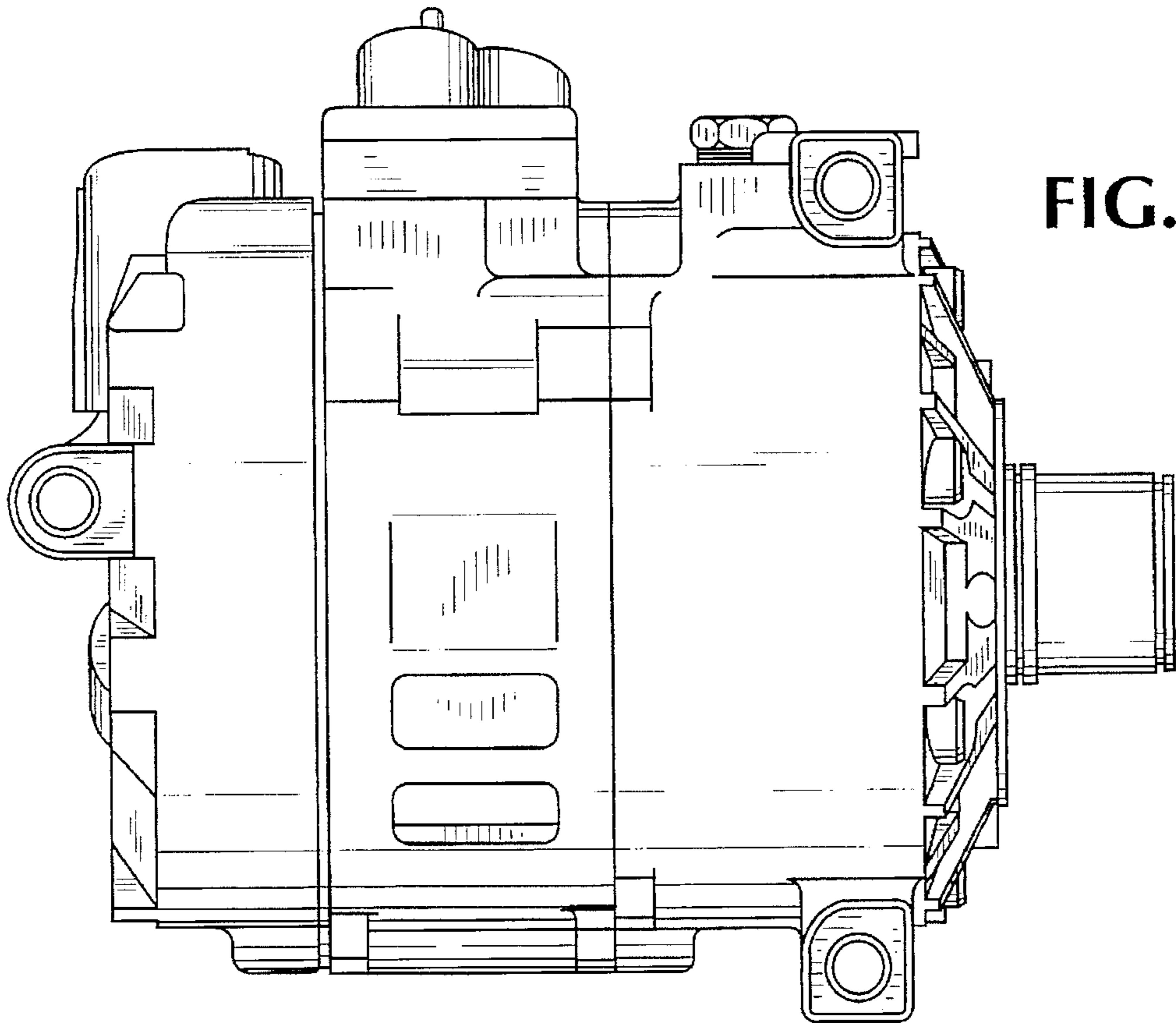


FIG. 7

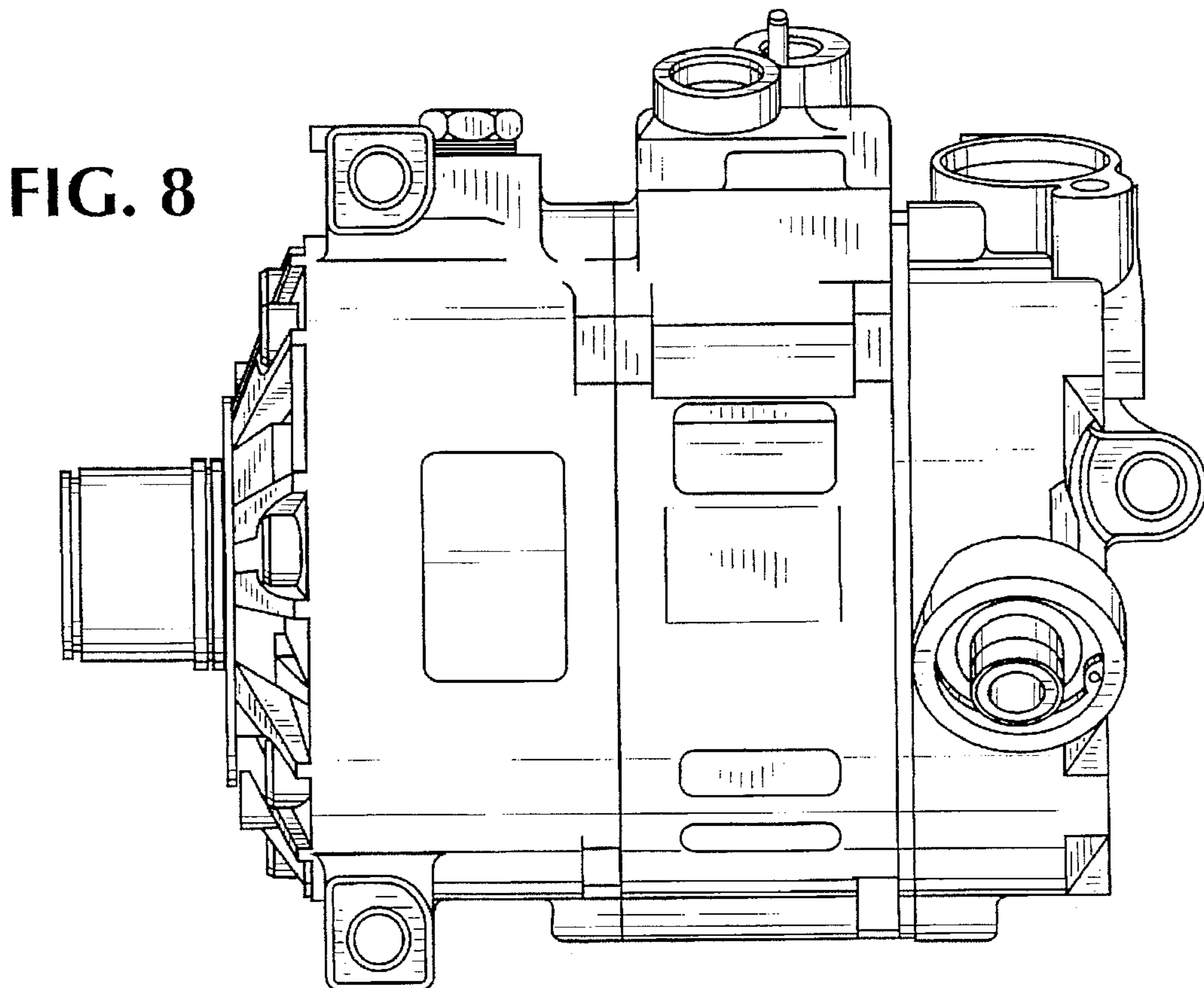


FIG. 8