



US00D381339S

**United States Patent** [19]  
**Wightley**

[11] **Patent Number: Des. 381,339**  
[45] **Date of Patent: \*\*Jul. 22, 1997**

[54] **PUMP CASING**

1,337,916 4/1920 Julinsen ..... D15/7

[75] Inventor: **Allan Clifford Wightley, Davidson,**  
Australia

[73] Assignee: **Warman International Ltd., Artamon,**  
Australia

[\*\*] Term: **14 Years**

[21] Appl. No.: **48,941**

[22] Filed: **Jan. 16, 1996**

**Related U.S. Application Data**

[62] Division of Ser. No. 32,274, Dec. 6, 1994, Pat. No. Des.  
368,913.

[30] **Foreign Application Priority Data**

Jun. 6, 1994 [AU] Australia ..... 1755/94  
Jun. 7, 1994 [AU] Australia ..... 1760/94  
Jun. 7, 1994 [AU] Australia ..... 1786/94

[51] **LOC (6) Cl. .... 15-02**

[52] **U.S. Cl. .... D15/7**

[58] **Field of Search ..... D15/5-9.1; 417/234,**  
417/572, 410.1, 334, 336

[56] **References Cited**

**U.S. PATENT DOCUMENTS**

307,018 4/1884 Turbanisch ..... D15/8  
D. 307,018 4/1990 Turbanisch ..... D15/8  
D. 315,911 4/1991 Campbell ..... D15/7

**OTHER PUBLICATIONS**

Engineers Australia, Sep. 1994.

*Primary Examiner*—Ralf Seifert  
*Attorney, Agent, or Firm*—Jacobson, Price, Holman & Stern,  
PLLC

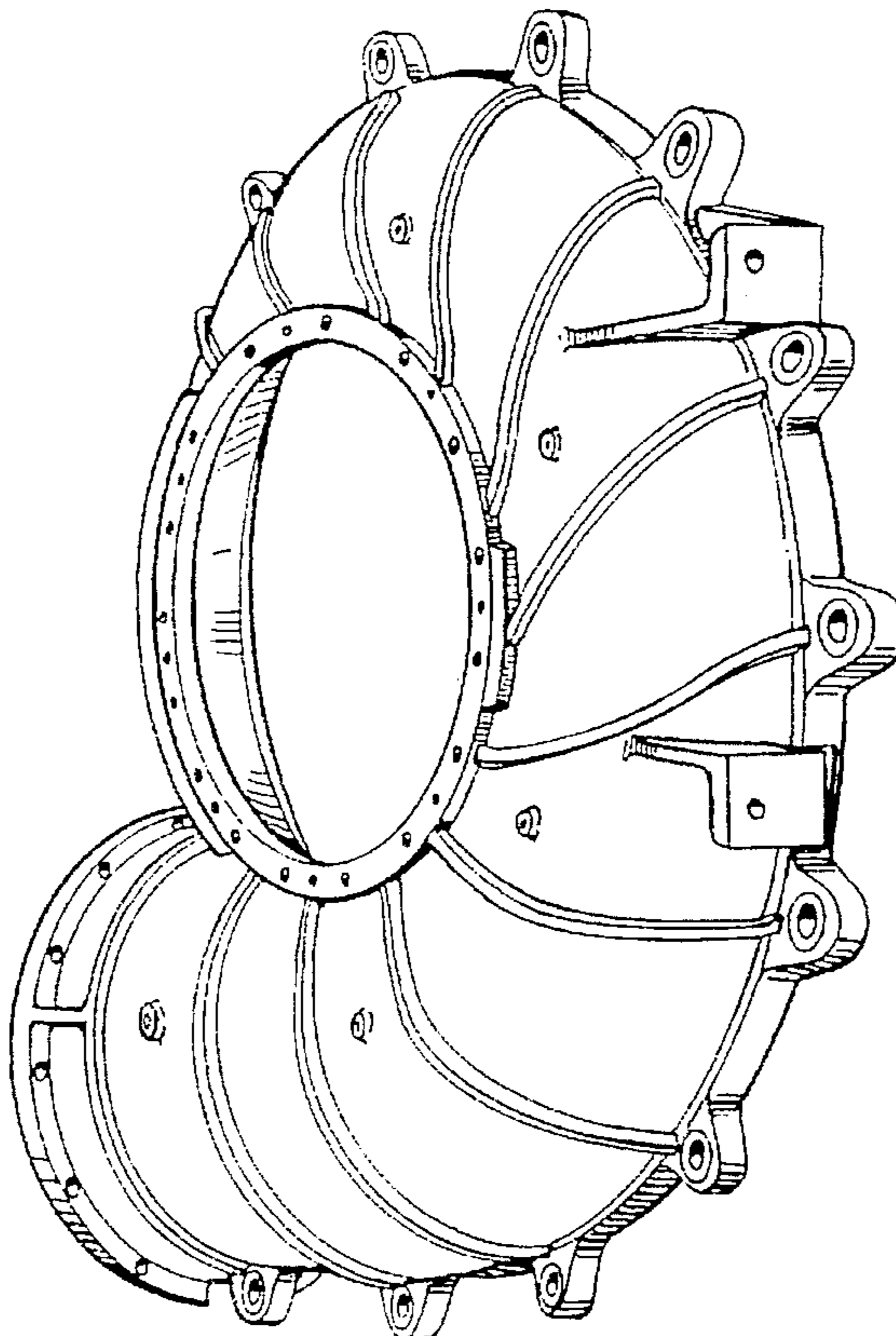
[57] **CLAIM**

The ornamental design for a pump casing, as shown and  
described.

**DESCRIPTION**

FIG. 1 is a perspective view of a first embodiment of a pump casing of my new design for a pump casing;  
FIG. 2 is a bottom plan view thereof;  
FIG. 3 is a left side view thereof;  
FIG. 4 is a top plan view thereof;  
FIG. 5 is a right side view thereof;  
FIG. 6 is a rear end view thereof;  
FIG. 7 is a front end view thereof;  
FIG. 8 is a perspective view of a second embodiment of a pump casing of my new design for a pump casing;  
FIG. 9 is a bottom plan view thereof;  
FIG. 10 is a right side view thereof;  
FIG. 11 is a top plan view thereof;  
FIG. 12 is a left side view thereof;  
FIG. 13 is a front end view thereof; and,  
FIG. 14 is a rear end view thereof.

**1 Claim, 6 Drawing Sheets**



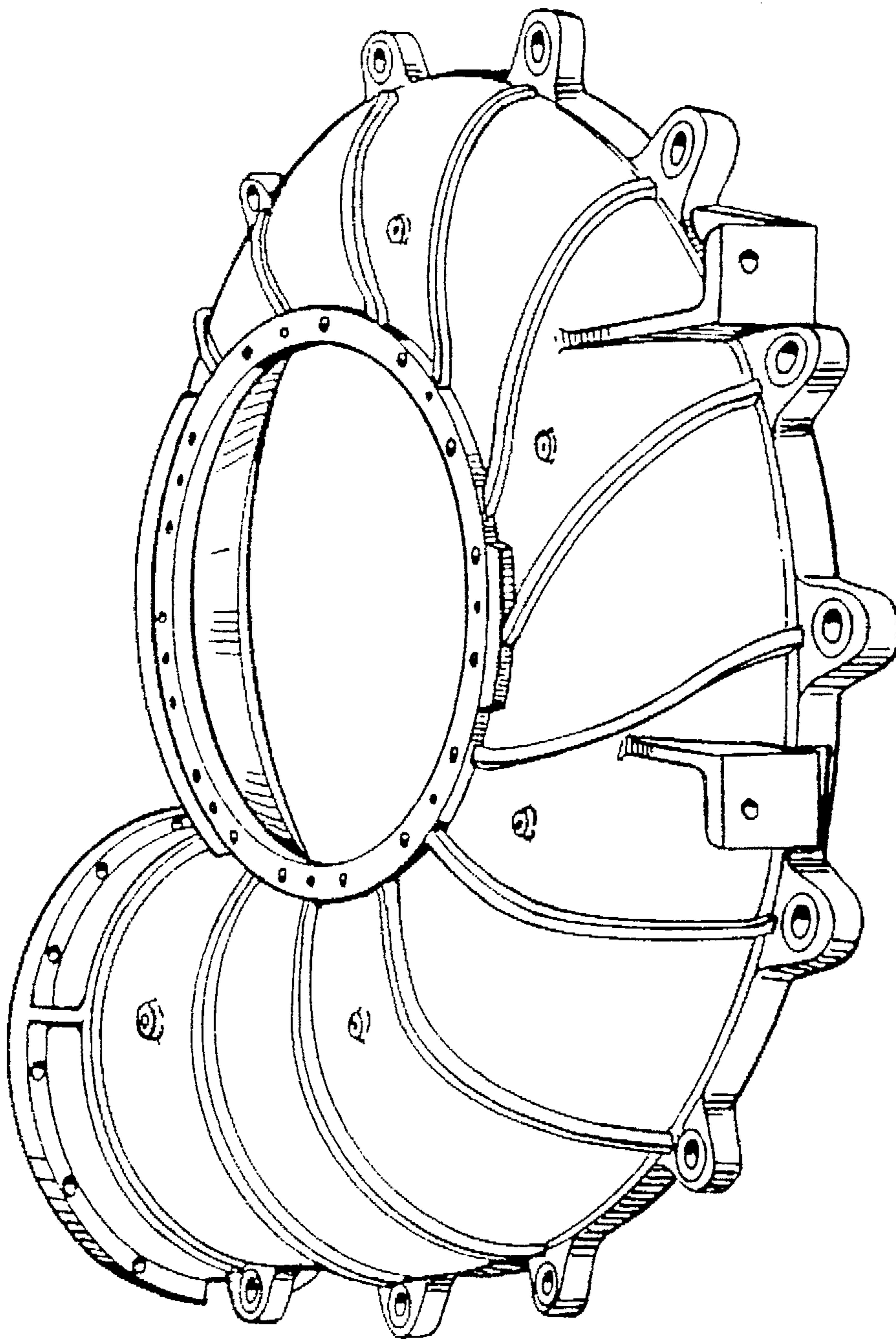


FIG. 1

FIG. 2

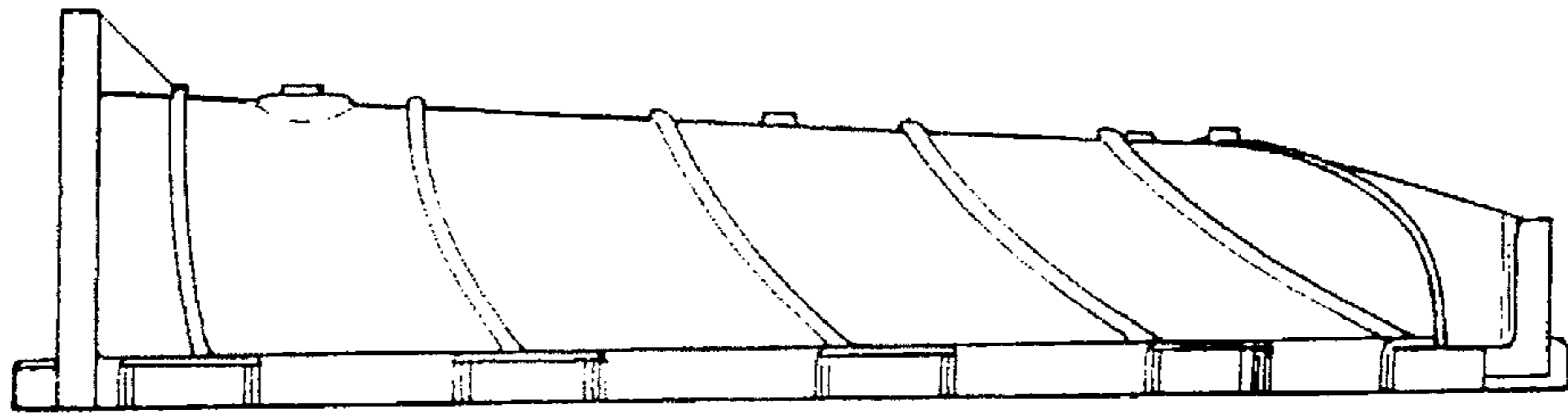


FIG. 3

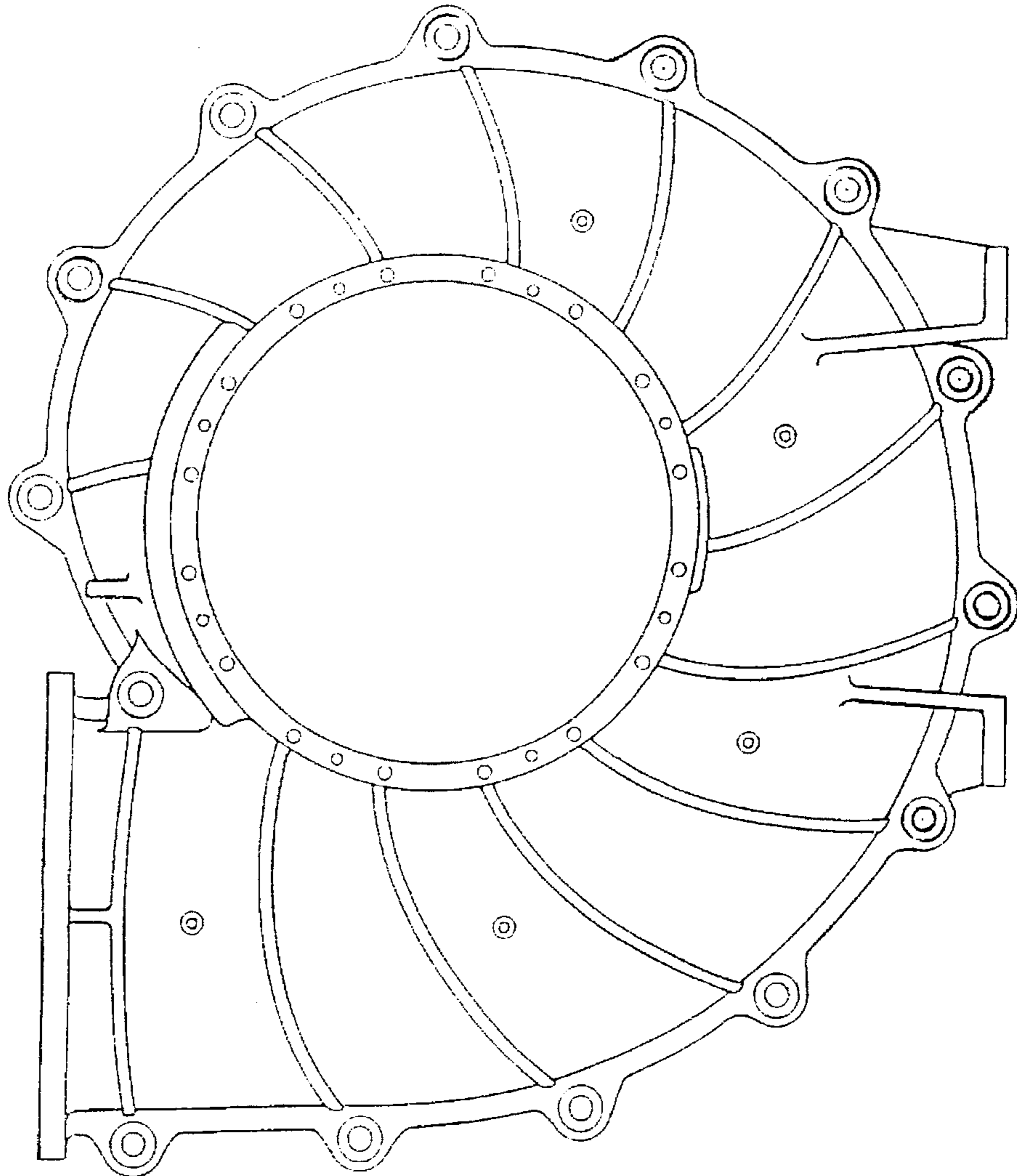
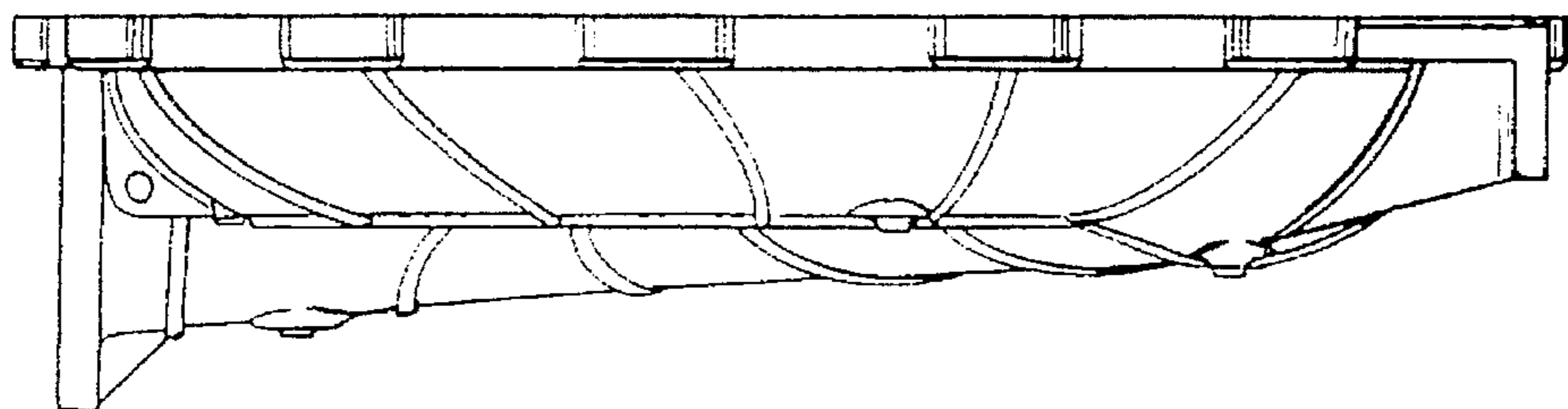


FIG. 4



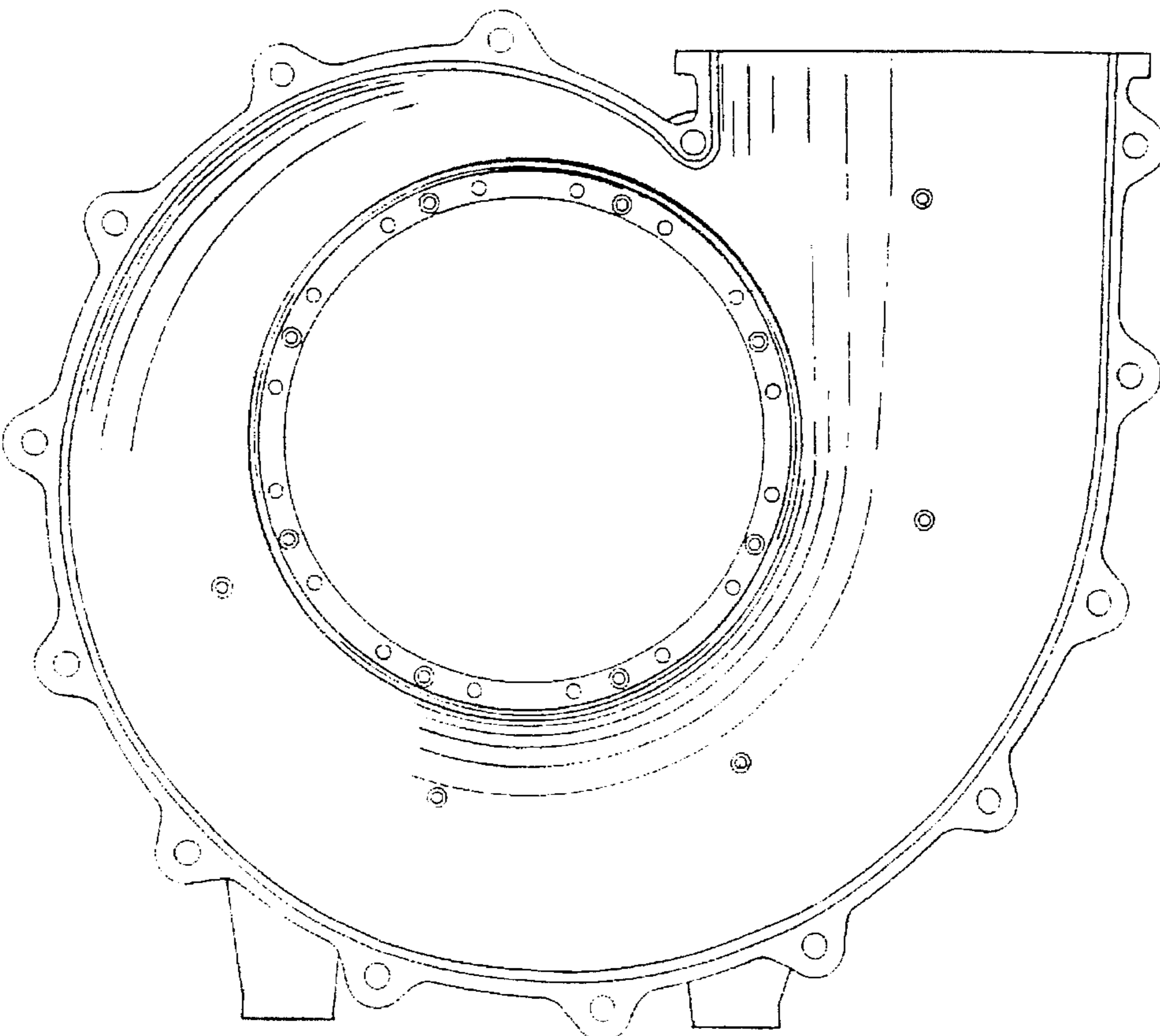


FIG. 5

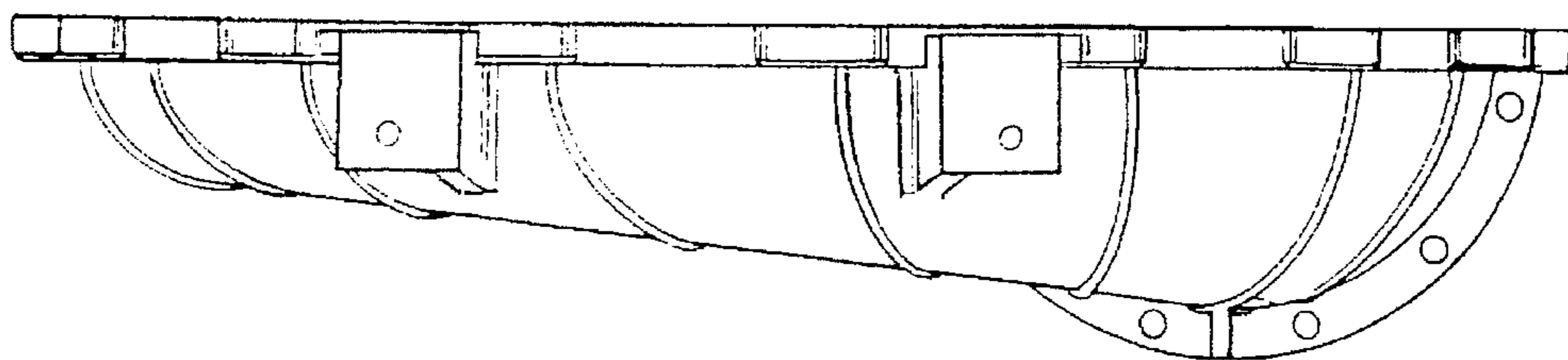


FIG. 6

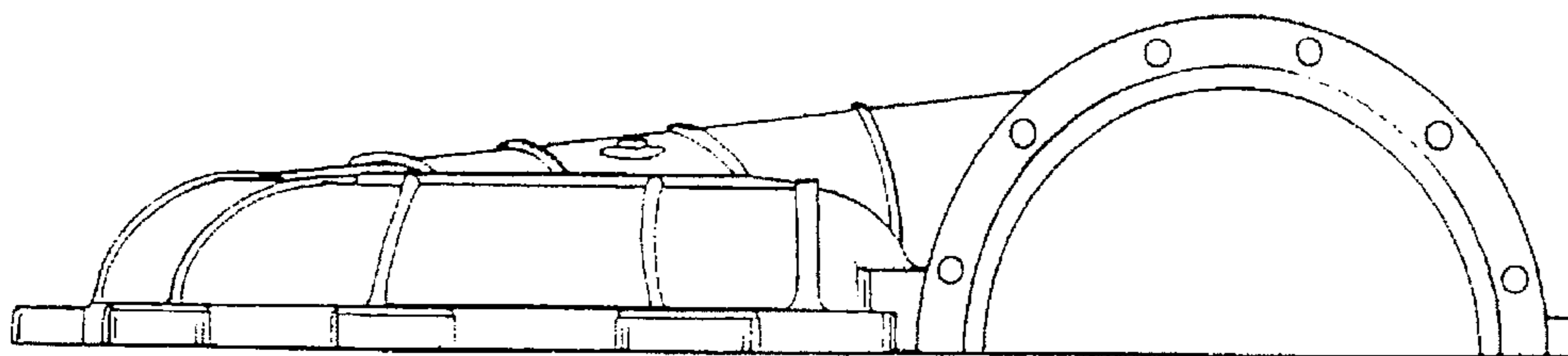


FIG. 7

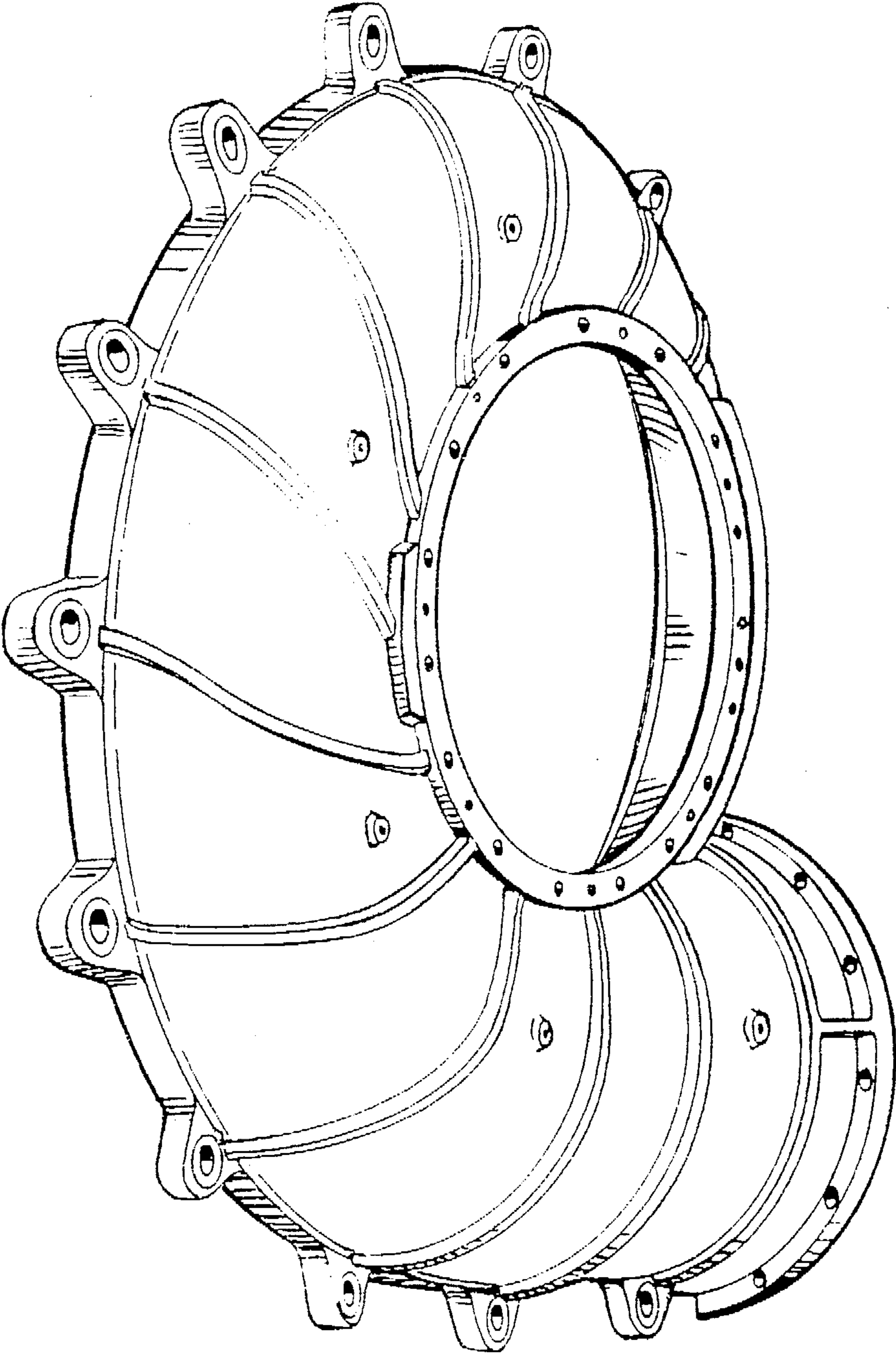


FIG. 8

FIG. 9

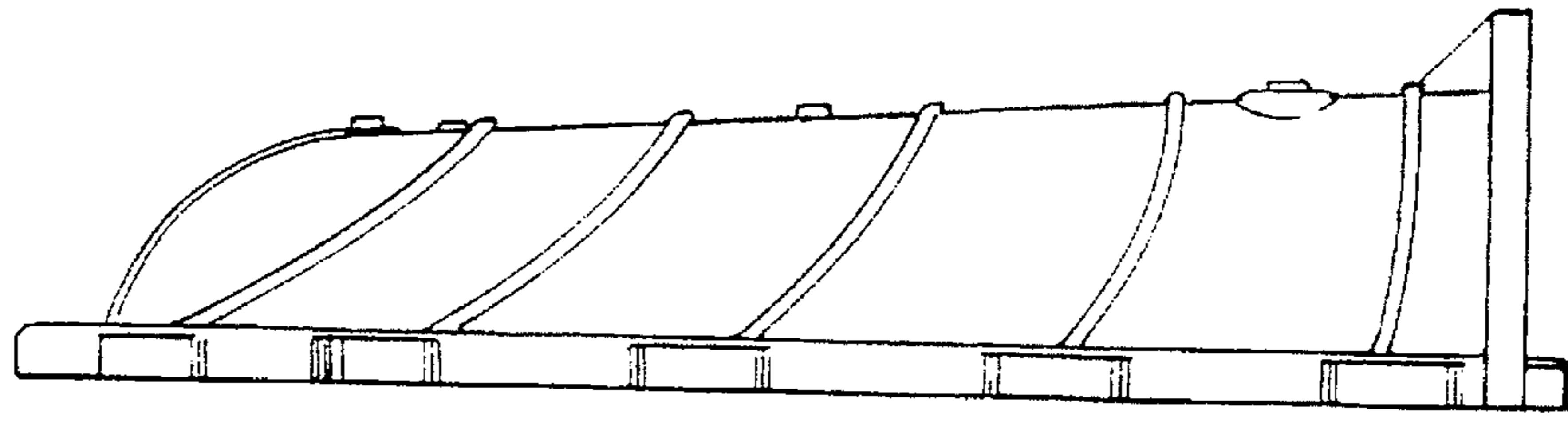


FIG. 10

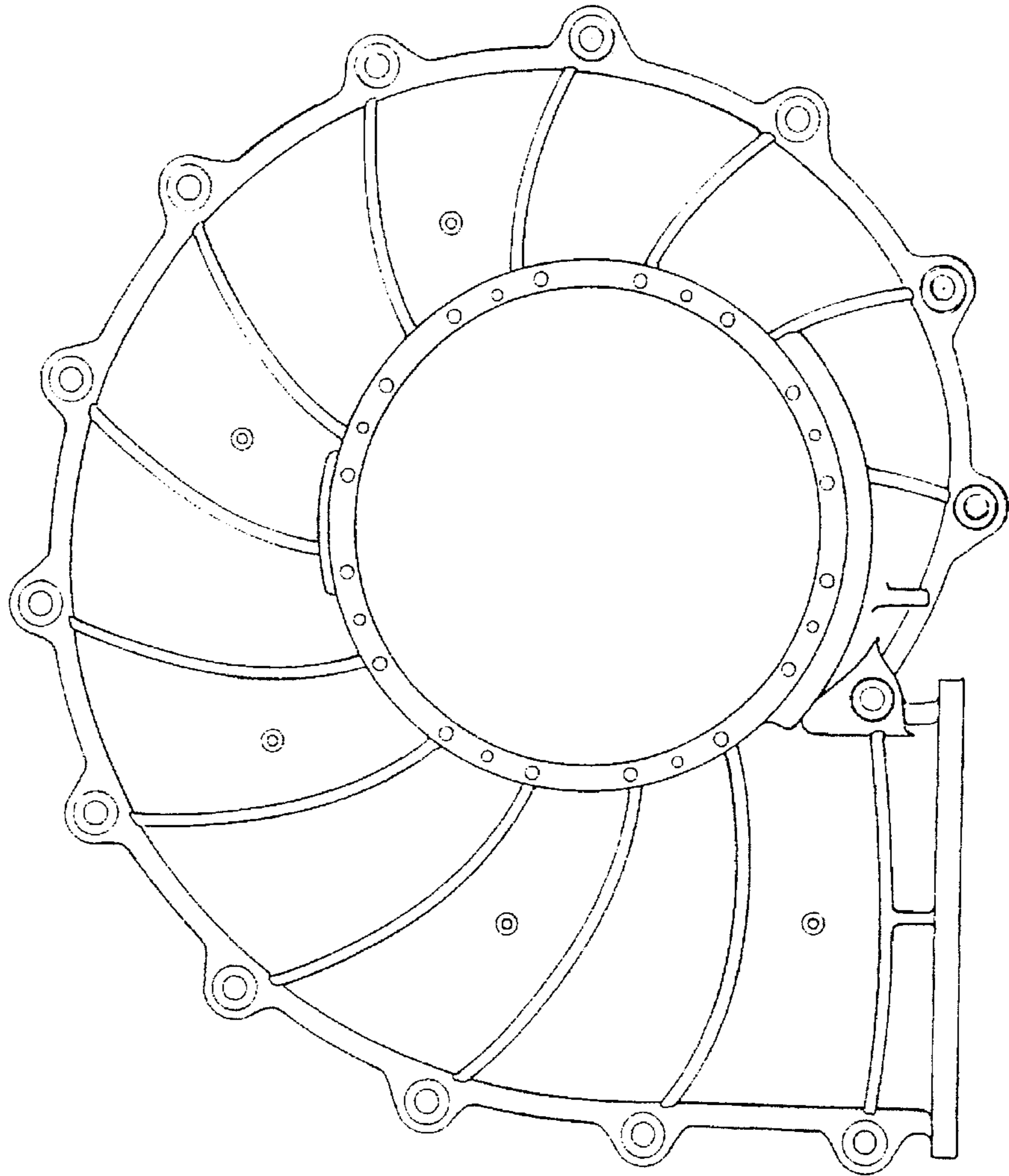
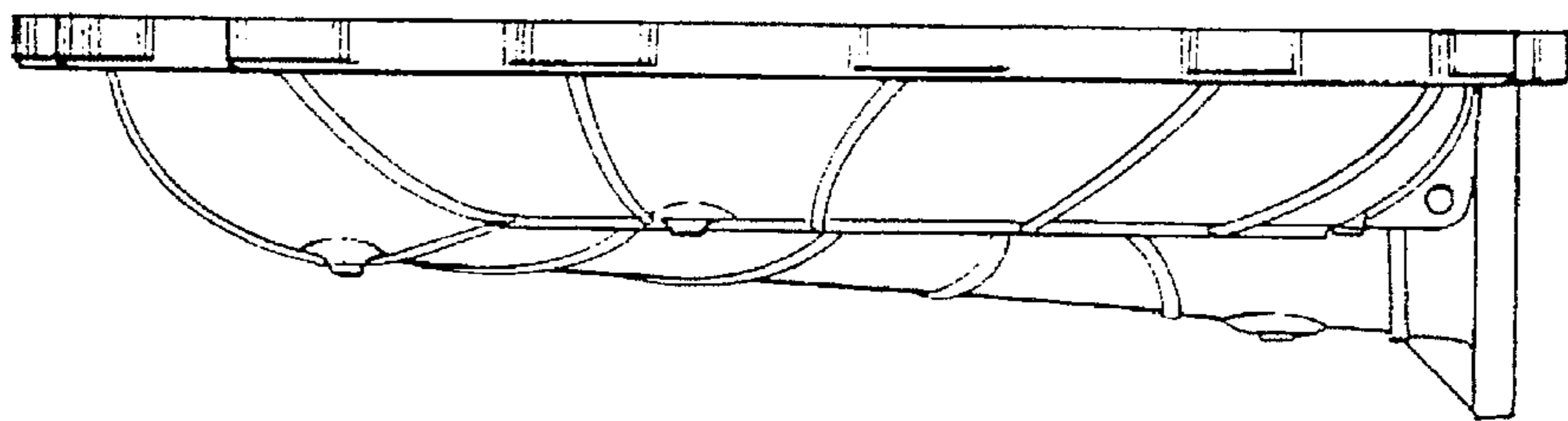


FIG. 11



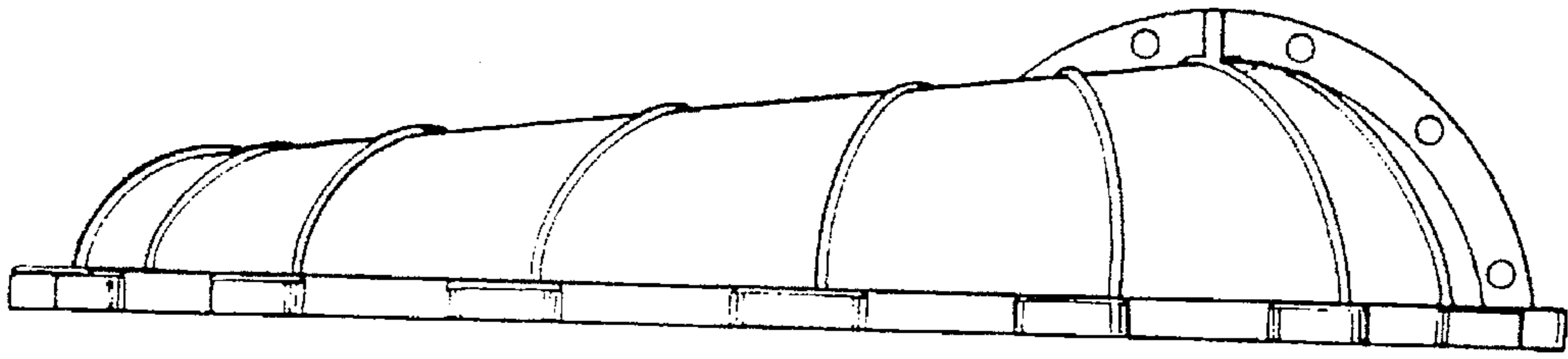


FIG. 14

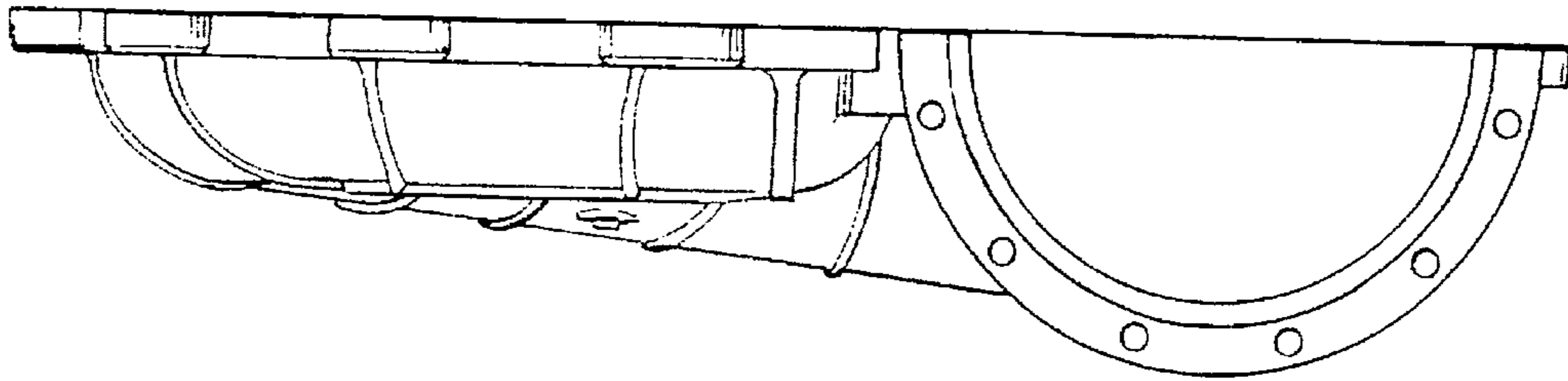


FIG. 13

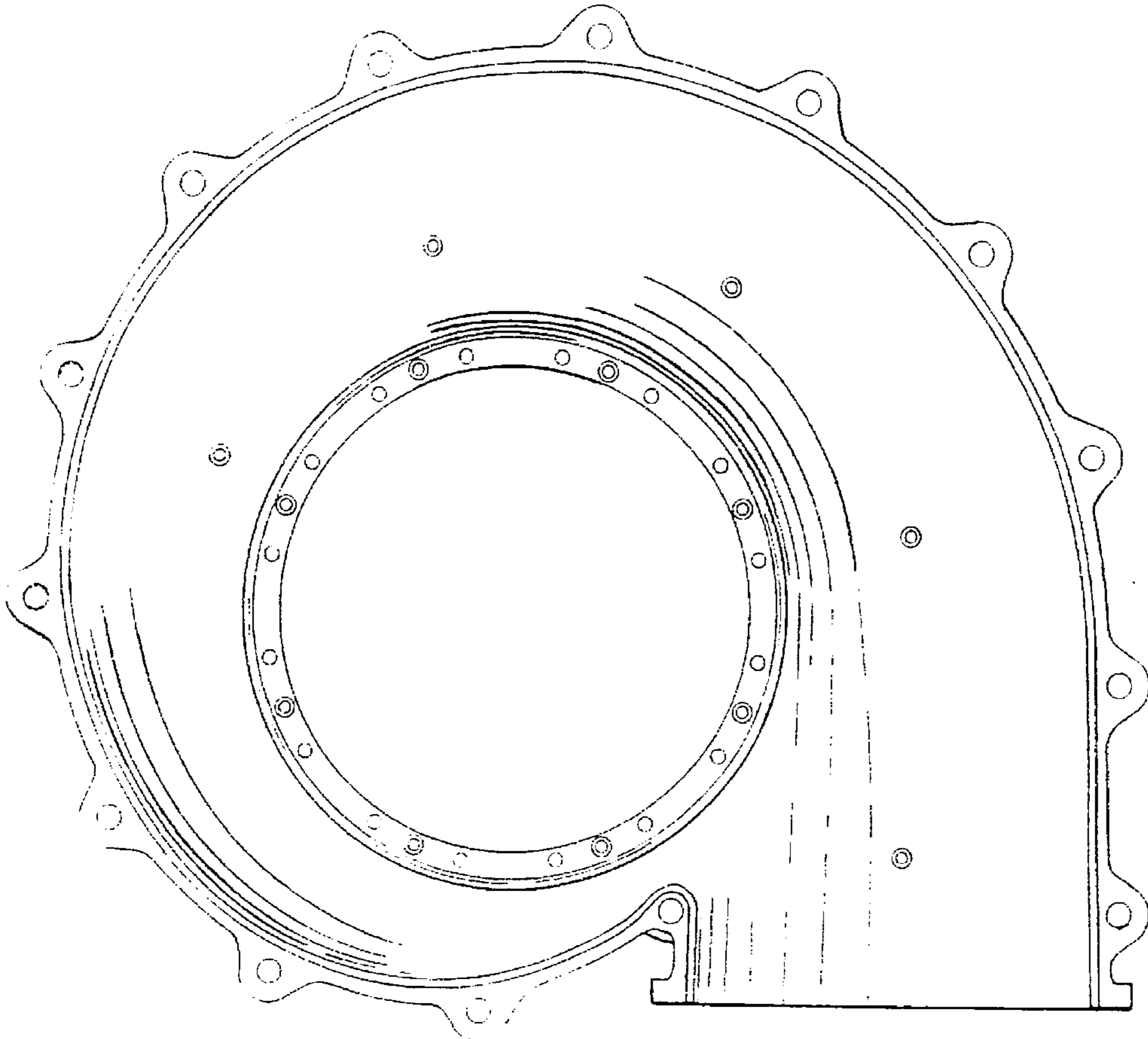


FIG. 12