



US00D381333S

# United States Patent [19]

[11] Patent Number: **Des. 381,333**

Biasotti et al.

[45] Date of Patent: **\*\*\*Jul. 22, 1997**

[54] **PAGER**

[75] Inventors: **Mark Biasotti**, San Jose; **Michael John Nuttall**, Portola Valley, both of Calif.; **John Henry Schaffeld**, New Vernon; **Jose Antonio Sosa**, Hackettstown, both of N.J.

[73] Assignee: **Lucent Technologies Inc.**, Murray Hill, N.J.

[\*] Notice: The portion of the term of this patent subsequent to Jun. 17, 2011, has been disclaimed.

[\*\*] Term: **14 Years**

[21] Appl. No.: **33,031**

[22] Filed: **Jan. 4, 1995**

[51] **LOC (6) Cl.** ..... **14-03**

[52] **U.S. Cl.** ..... **D14/191**

[58] **Field of Search** ..... D14/124, 188, D14/191, 192, 299; 340/311.1; 455/38.1-38.4, 90, 92, 100, 128, 344

[56]

### References Cited

#### U.S. PATENT DOCUMENTS

- D. 339,348 9/1993 Kuroda et al. .... D14/191
- D. 352,035 11/1994 Townsend et al. .... D14/191
- D. 357,252 4/1995 Scheid et al. .... D14/191

*Primary Examiner*—Sandra L. Morris  
*Assistant Examiner*—Nanda Bondade  
*Attorney, Agent, or Firm*—Samuel R. Williamson

[57]

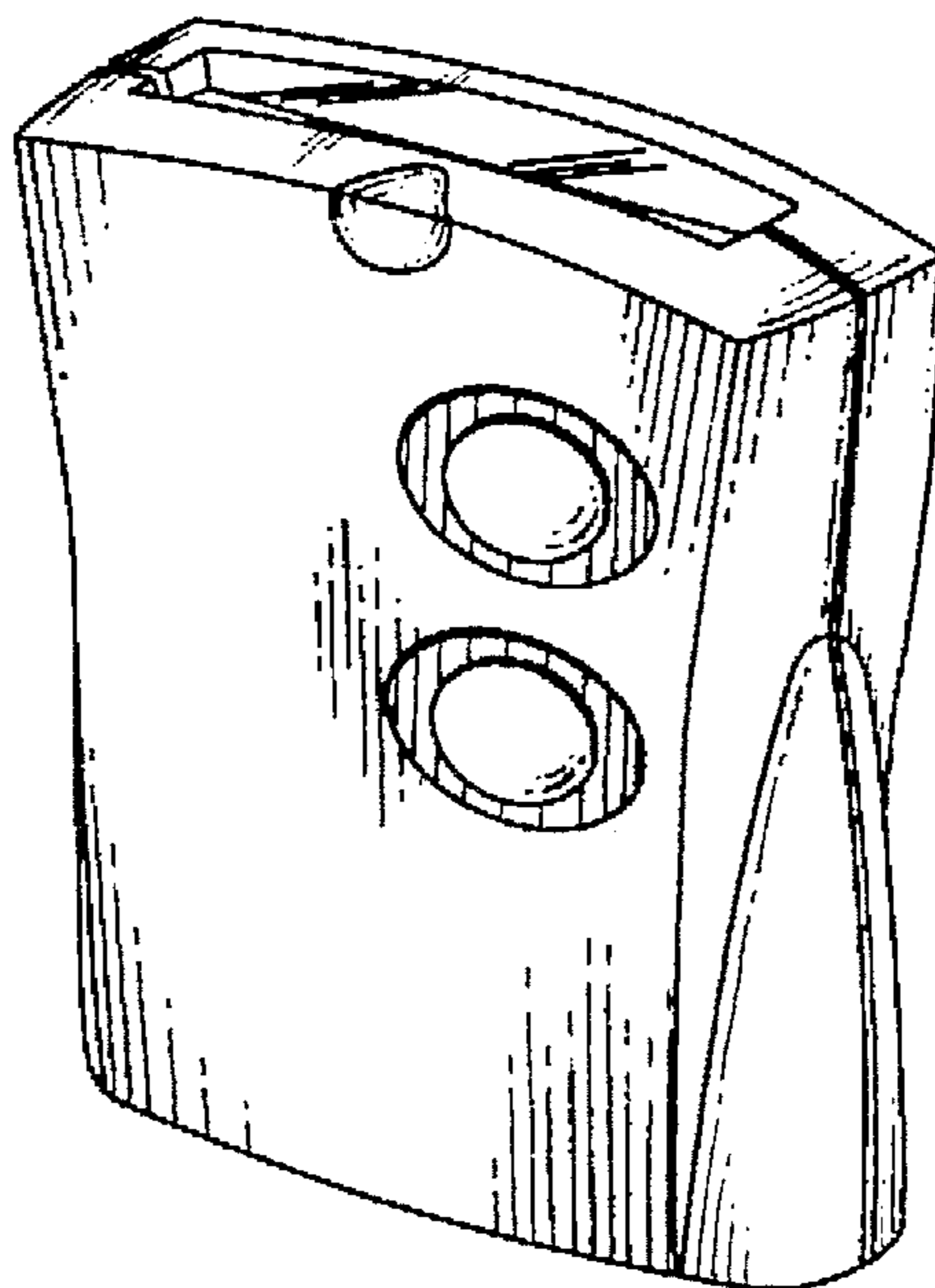
### CLAIM

The ornamental design for a pager, as shown and described.

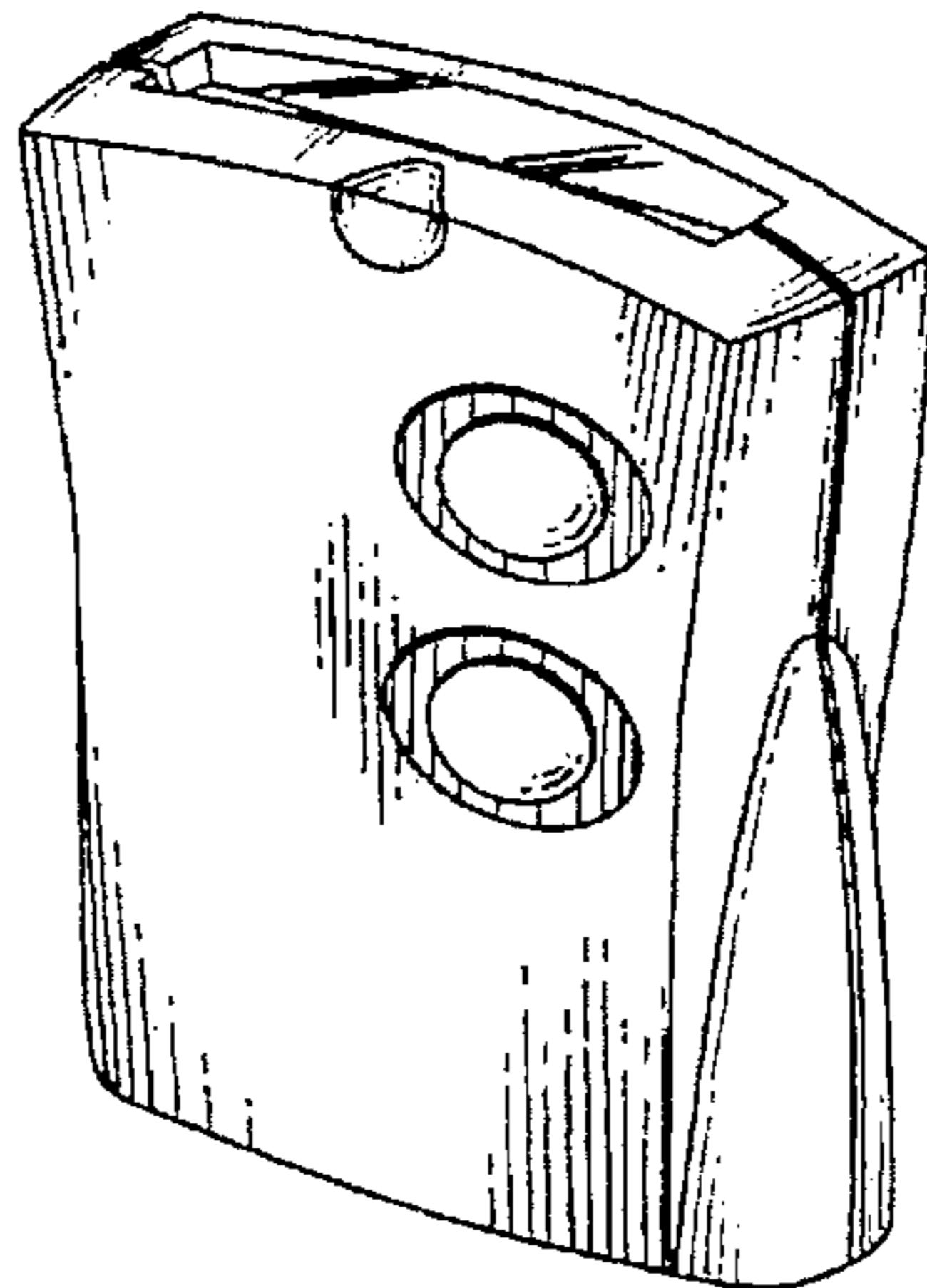
### DESCRIPTION

FIG. 1 is a top, front and right side perspective view of a pager showing our new design; FIG. 2 is a front elevation thereof; FIG. 3 is a rear elevation thereof; FIG. 4 is a left side elevation thereof; FIG. 5 is a right side elevation thereof; FIG. 6 is a top plan view thereof; and, FIG. 7 is a bottom plan view thereof.

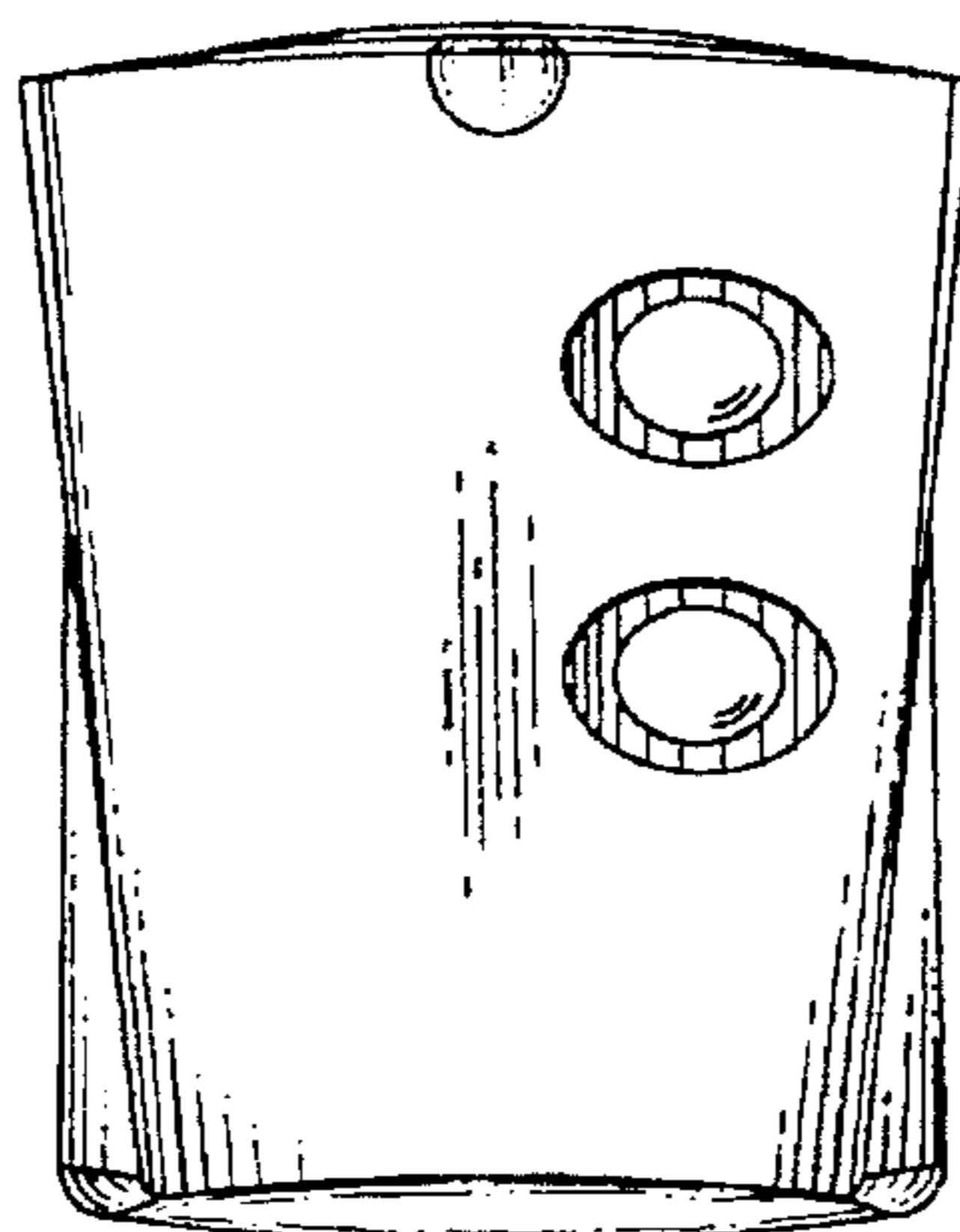
**1 Claim, 2 Drawing Sheets**



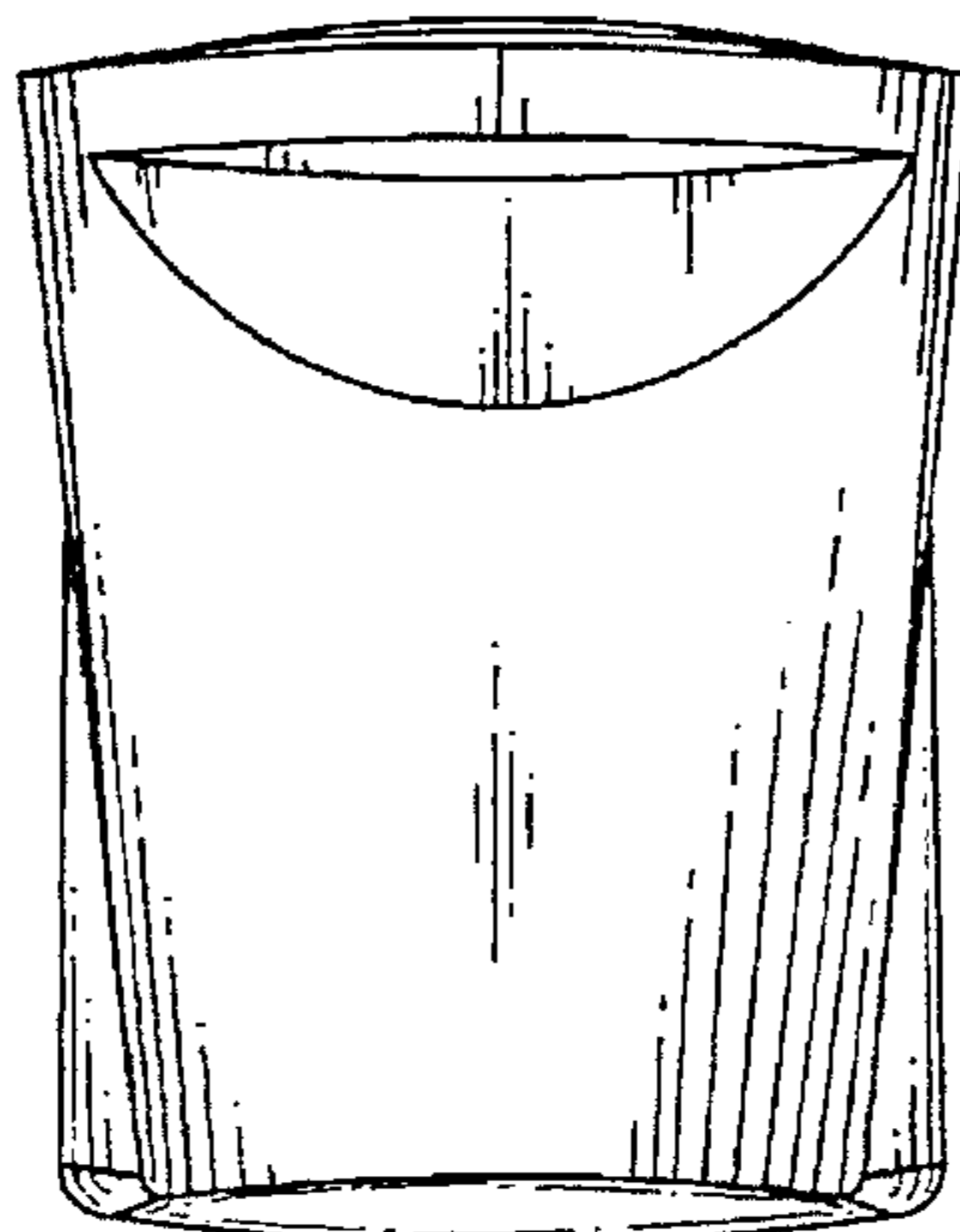
*FIG. 1*



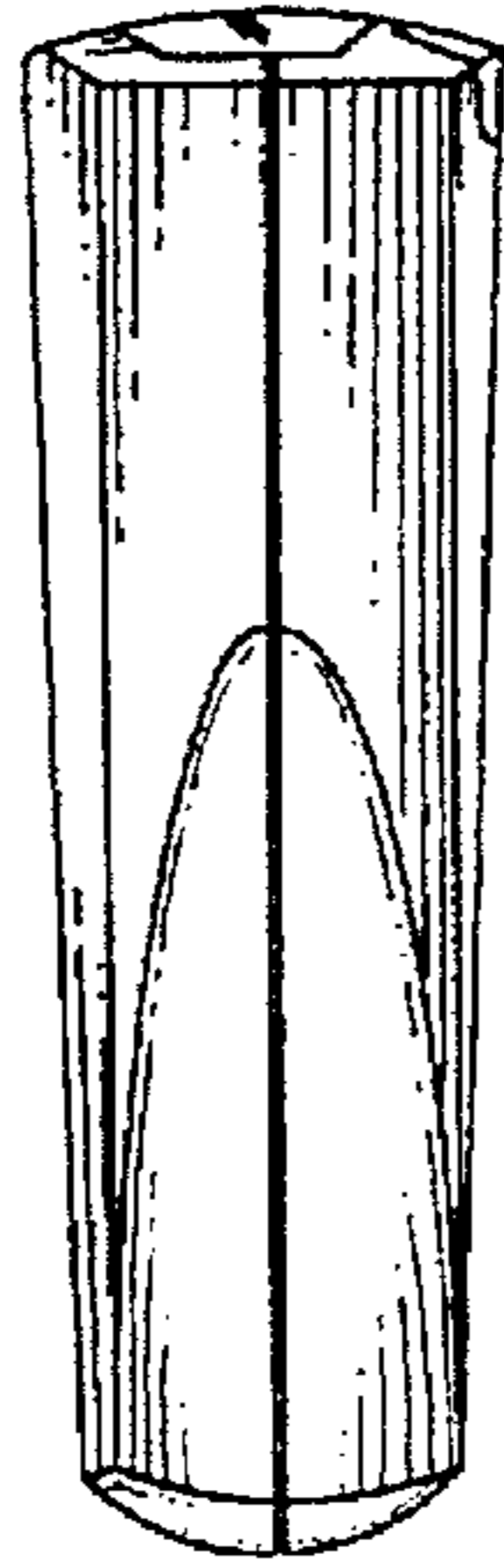
*FIG. 2*



*FIG. 3*



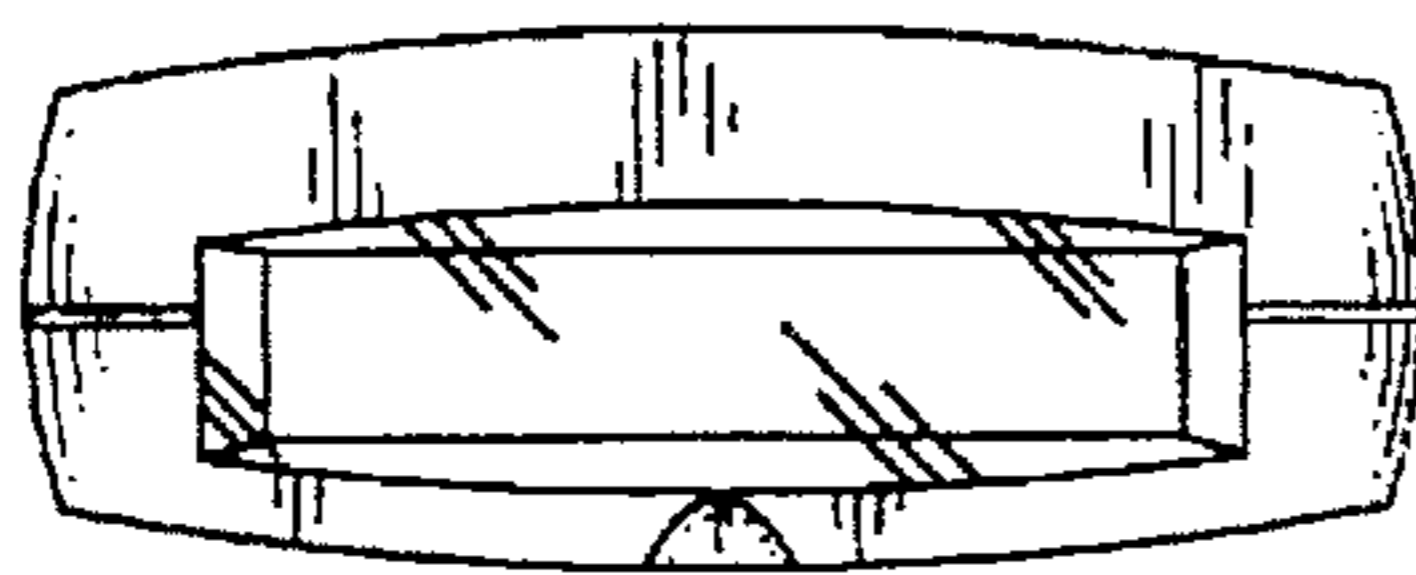
*FIG. 4*



*FIG. 5*



*FIG. 6*



*FIG. 7*

