



US00D381332S

# United States Patent [19]

Biasotti et al.

[11] Patent Number: **Des. 381,332**

[45] Date of Patent: **\*\*Jul. 22, 1997**

[54] **TELEPHONE MODULE**

[75] Inventors: **Mark Biasotti**, San Jose; **Michael John Nuttall**, Portola Valley; **Christopher A. Robinette**, Woodside, all of Calif.; **John Henry Schaffeld**, New Vernon, N.J.

[73] Assignee: **AT&T Corp.**, Murray Hill, N.J.

[\*\*] Term: **14 Years**

[21] Appl. No.: **32,901**

[22] Filed: **Dec. 30, 1994**

[51] **LOC (6) Cl.** ..... **14-03**

[52] **U.S. Cl.** ..... **D14/150**

[58] **Field of Search** ..... D14/140, 141, D14/142, 241, 149-151, 243, 240; 379/419, 420, 428, 440, 434-436

[56] **References Cited**

**U.S. PATENT DOCUMENTS**

D. 271,394	11/1983	Brown et al.	.....	D14/241
D. 273,107	3/1984	Breger	.....	D14/151
D. 307,433	4/1990	White	.....	D14/240
D. 315,564	3/1991	Kido et al.	.....	D14/241
D. 347,222	5/1994	Hino et al.	.....	D14/149

D. 349,502	8/1994	Fan	.....	D14/240
D. 351,166	10/1994	Wan	.....	D14/151
D. 355,187	2/1995	Danielson et al.	.....	D14/150
D. 356,086	3/1995	Townsend et al.	.....	D14/241 X

**OTHER PUBLICATIONS**

New York Times, Macy's Advertisement, Tropez Telephone Shown.

*Primary Examiner*—Jeffrey Asch  
*Attorney, Agent, or Firm*—S. R. Williamson

[57] **CLAIM**

The ornamental design of a telephone module, as shown and described.

**DESCRIPTION**

FIG. 1 is a top, front and right side perspective view of a telephone module showing our new design; FIG. 2 is a top plan view thereof; FIG. 3 is a bottom plan view thereof; FIG. 4 is a front elevational view thereof; FIG. 5 is a rear elevational view thereof; FIG. 6 is a left side elevational view thereof; and, FIG. 7 is a right side elevational view thereof, with the antenna in a slightly raised position.

**1 Claim, 3 Drawing Sheets**

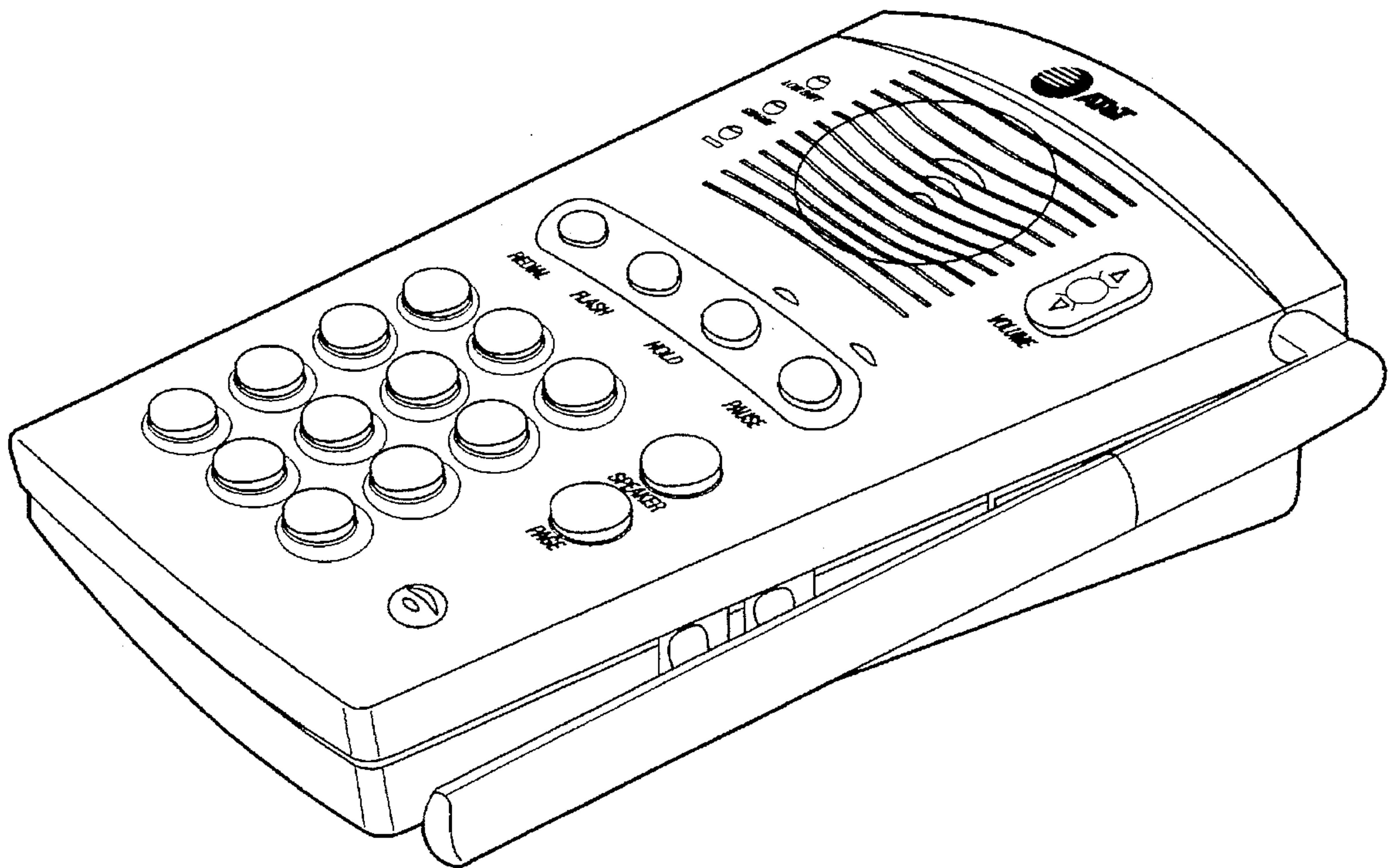


FIG. 1

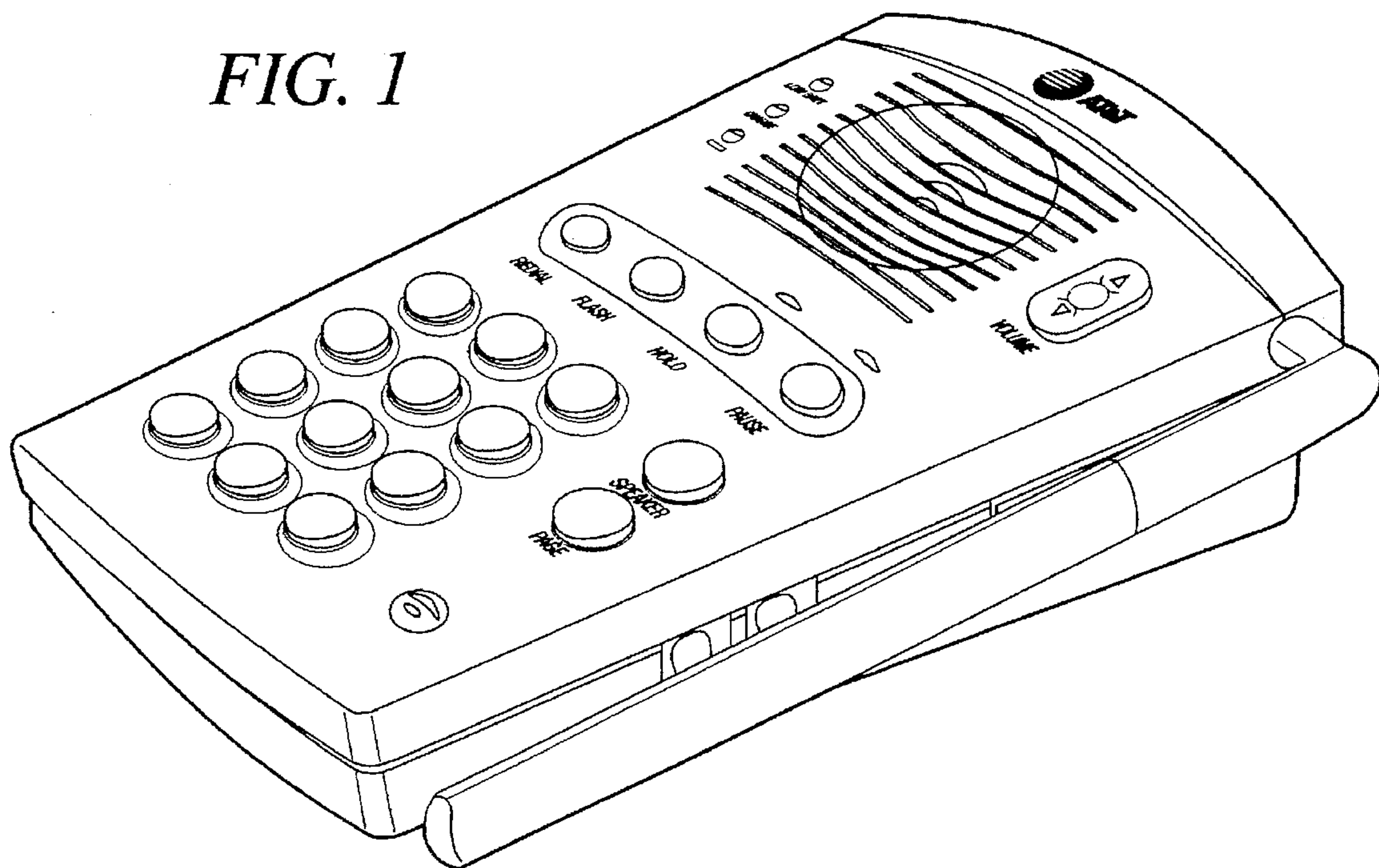


FIG. 2

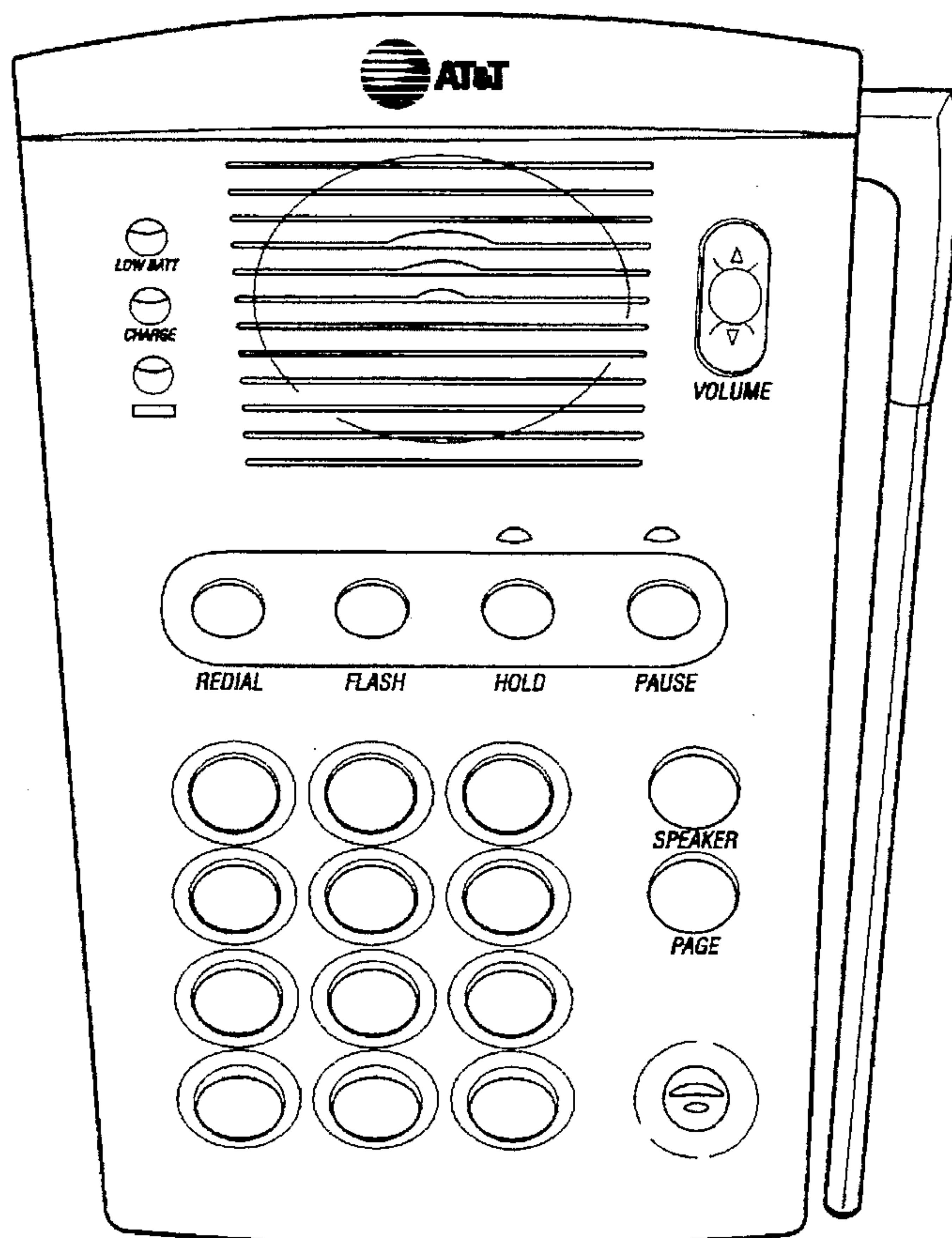


FIG. 3

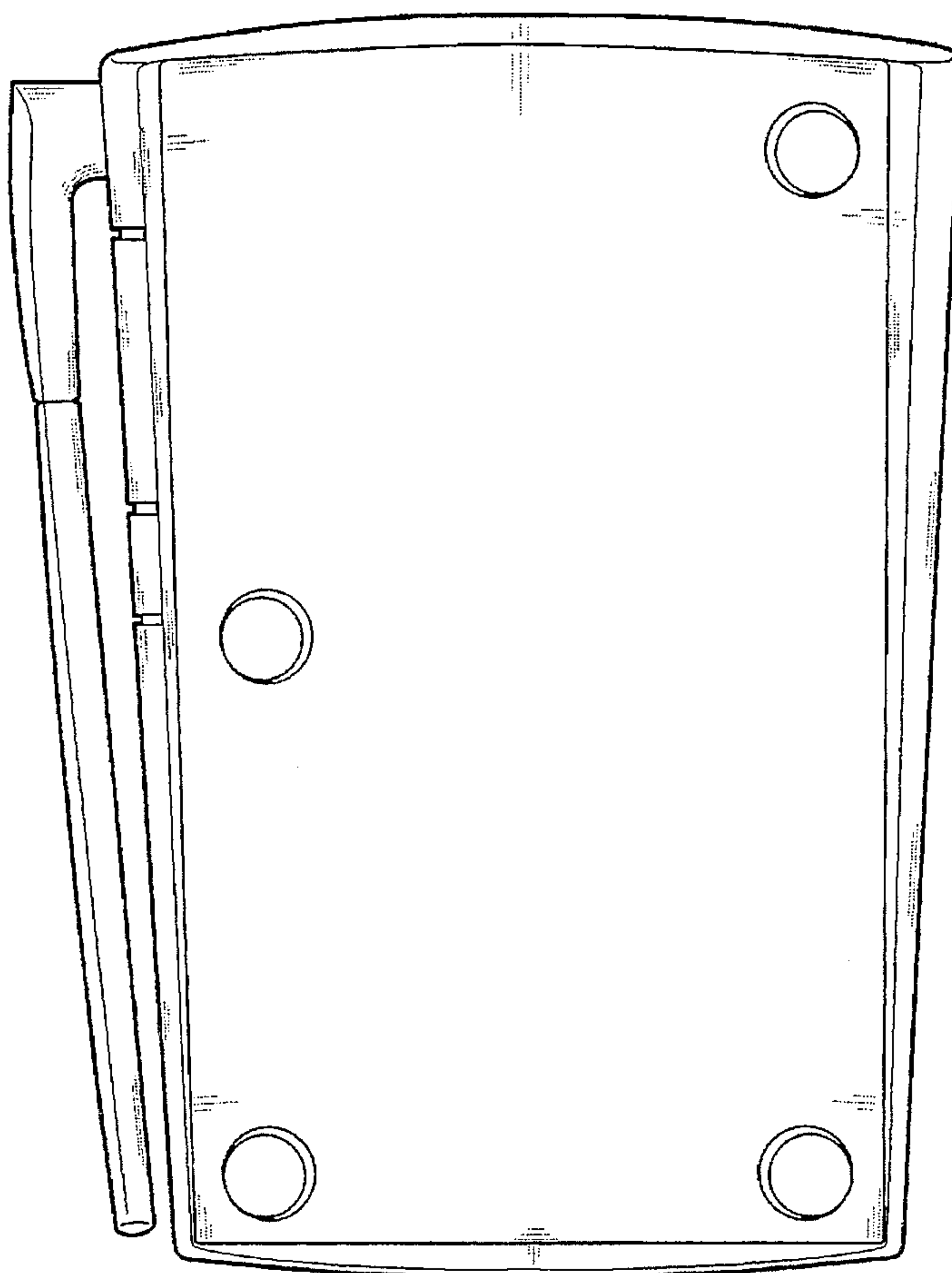
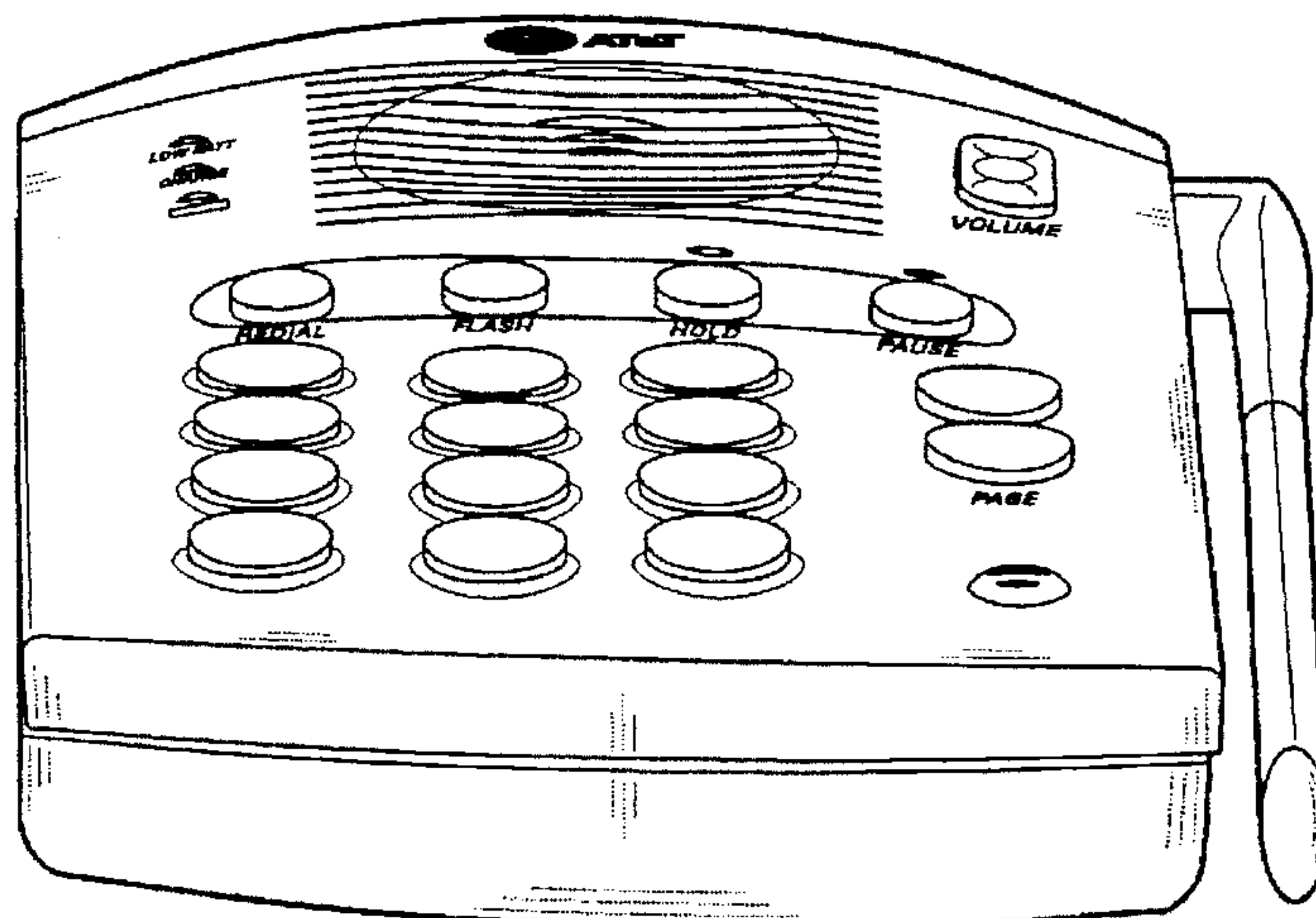
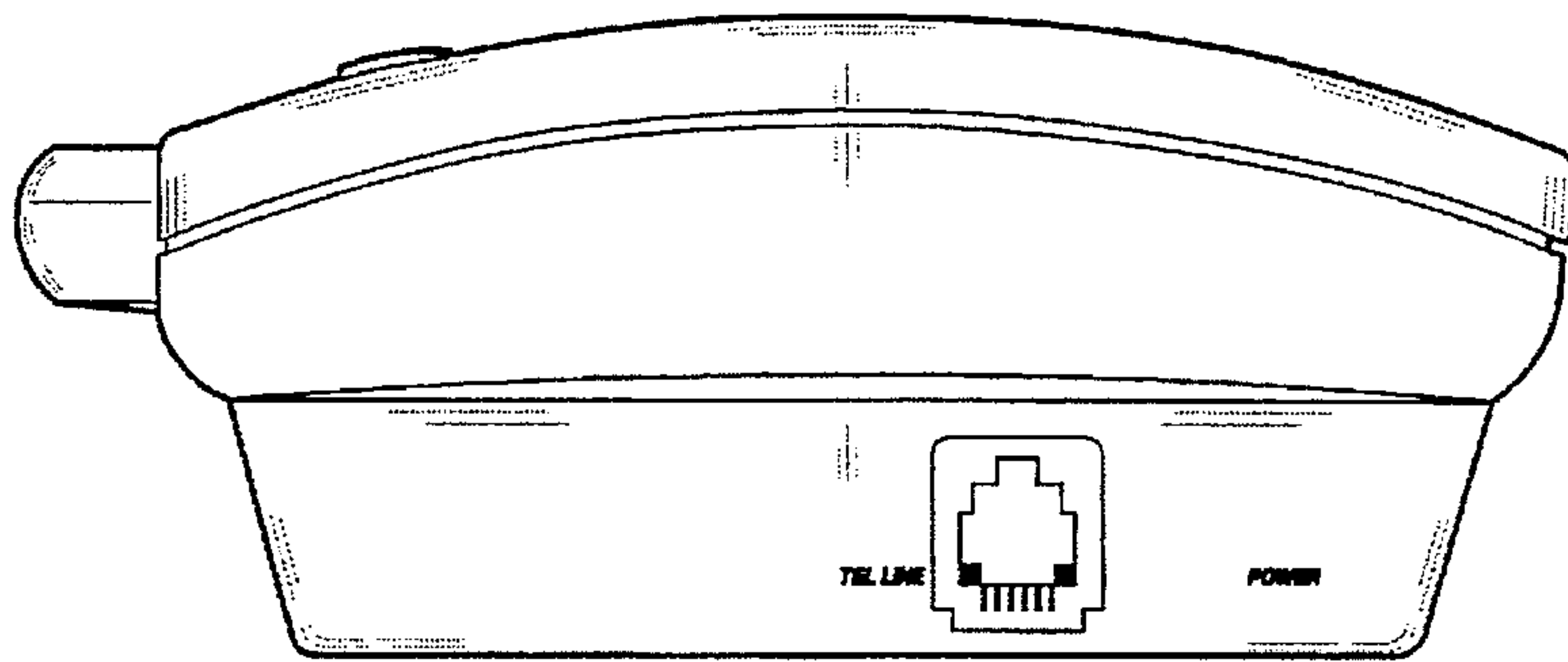


FIG. 4

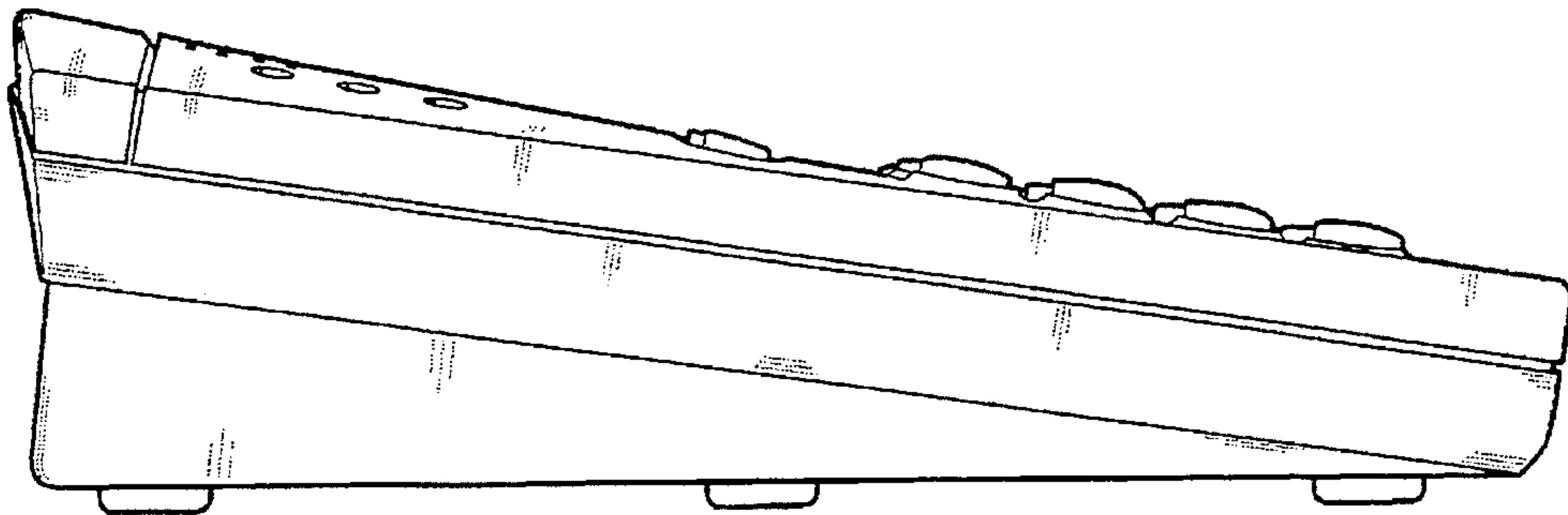




*FIG. 5*



*FIG. 6*



*FIG. 7*

