



US00D381330S

# United States Patent [19]

Kaufman et al.

[11] Patent Number: Des. 381,330

[45] Date of Patent: \*\*Jul. 22, 1997

## [54] EMERGENCY VOCAL AID

[75] Inventors: **Rona Kaufman**, 11376 Thurston Pl., Los Angeles, Calif. 90049; **Jack Kaufman**, Los Angeles, Calif.; **Phillis Stacy**, Burbank, Calif.; **Behzad Tabatabai**, Reseda, Calif.; **Steven Lee Stirnett**, Granada Hills, Calif.; **Jeff Turner**, Tarzana, Calif.

[73] Assignee: **Rona Kaufman**, Los Angeles, Calif.

[\*\*] Term: **14 Years**

[21] Appl. No.: **44,029**

[22] Filed: **Sep. 14, 1995**

[51] LOC (6) Cl. .... **14-03**

[52] U.S. Cl. .... **D14/124**

[58] Field of Search ..... D14/124; 340/573, 340/384.4, 384.5, 384.7; 128/691, 690, 709, 710

## [56] References Cited

### U.S. PATENT DOCUMENTS

5,228,449 7/1993 Christ et al. .... 128/691  
5,587,704 12/1996 Foster ..... 340/573

*Primary Examiner*—Stella Reid  
*Attorney, Agent, or Firm*—Lewis Anten, Esq.; Amedeo Ferraro, Esq.

## [57] CLAIM

The ornamental design for an emergency vocal aid, as shown and described.

## DESCRIPTION

FIG. 1 is a front perspective view of the emergency vocal aid showing our new design;

FIG. 2 is a rear perspective view thereof, the electrical plug shown in broken lines is for illustrative purposes only and forms no part of the claimed design;

FIG. 3 is a front side elevational view thereof;

FIG. 4 is a left side elevational view thereof;

FIG. 5 is a right side elevational view thereof, the electrical plug shown in broken lines is for illustrative purposes only and forms no part of the claimed design;

FIG. 6 is a rear side elevational view thereof, the electrical plug shown in broken lines is for illustrative purposes only and forms no part of the claimed design;

FIG. 7 is a top plan view thereof, the electrical plug shown in broken lines is for illustrative purposes only and forms no part of the claimed design;

FIG. 8 is a bottom plan view thereof, the electrical plug shown in broken lines is for illustrative purposes only and forms no part of the claimed design; and,

FIG. 9 is an exploded front perspective view thereof, separated from the cradle member, with the cover of the emergency vocal aid shown in the open position, the buttons and numbers shown in broken lines are for illustrative purposes only and forms no part of the claimed design.

**1 Claim, 4 Drawing Sheets**

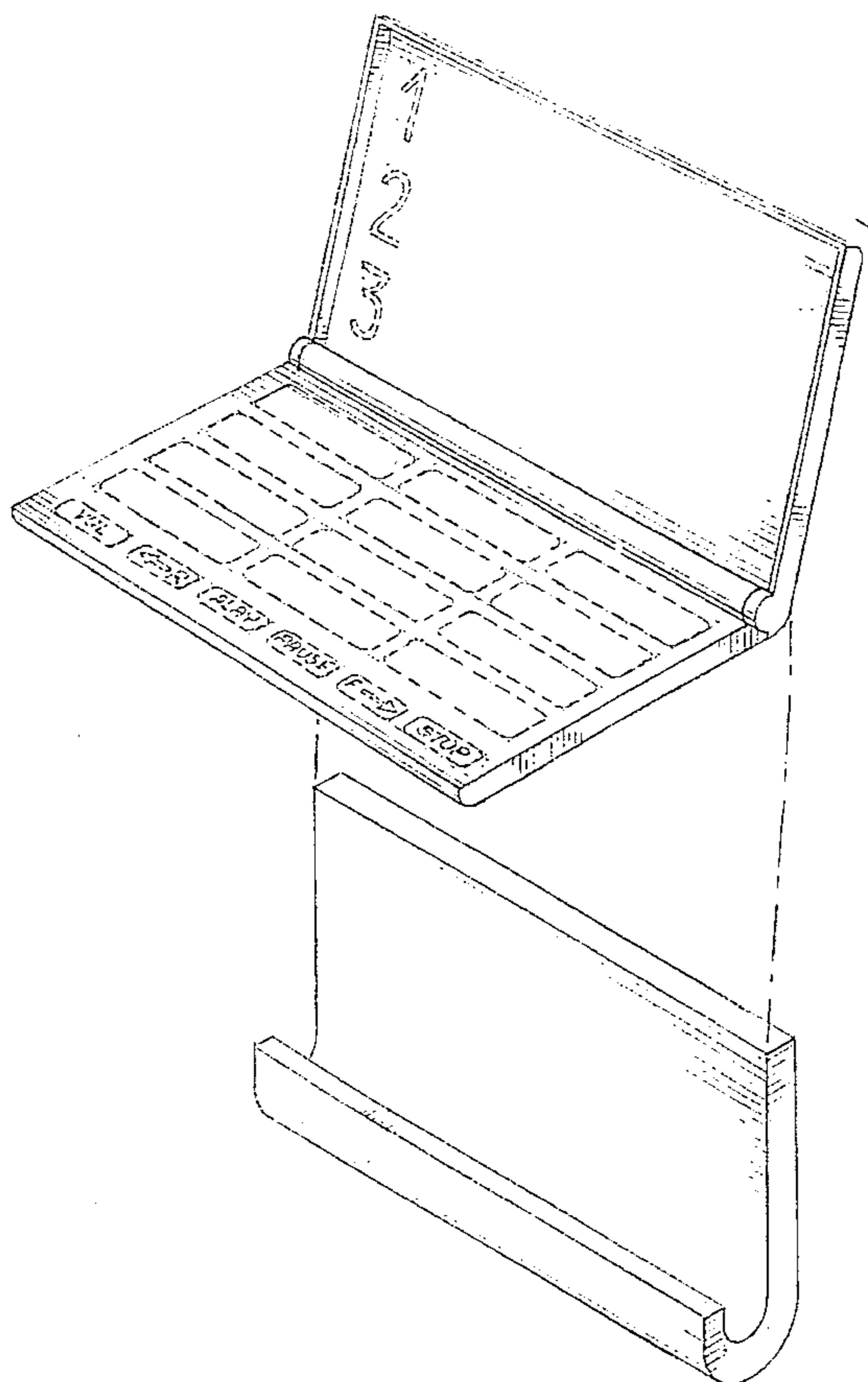


FIG. 1

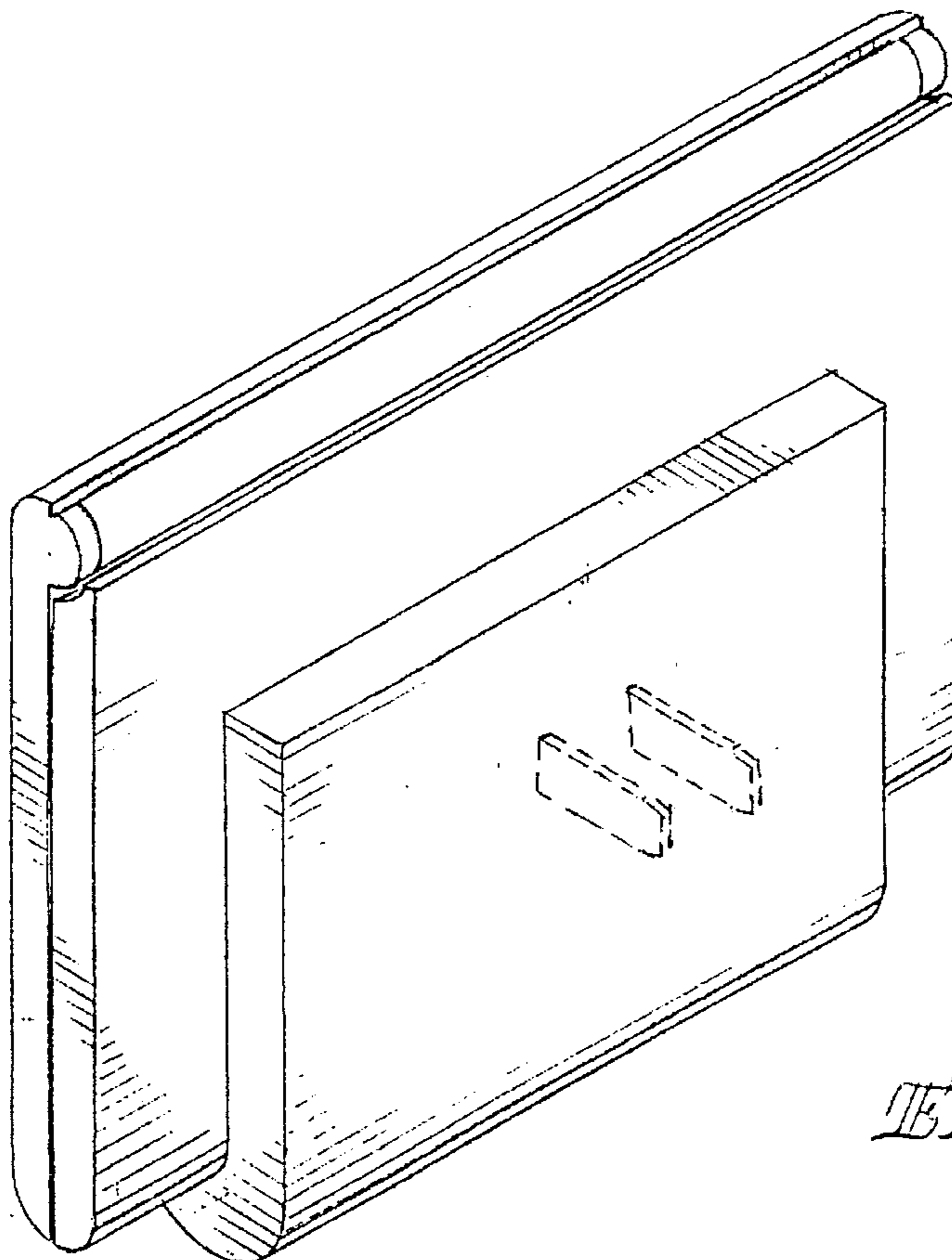
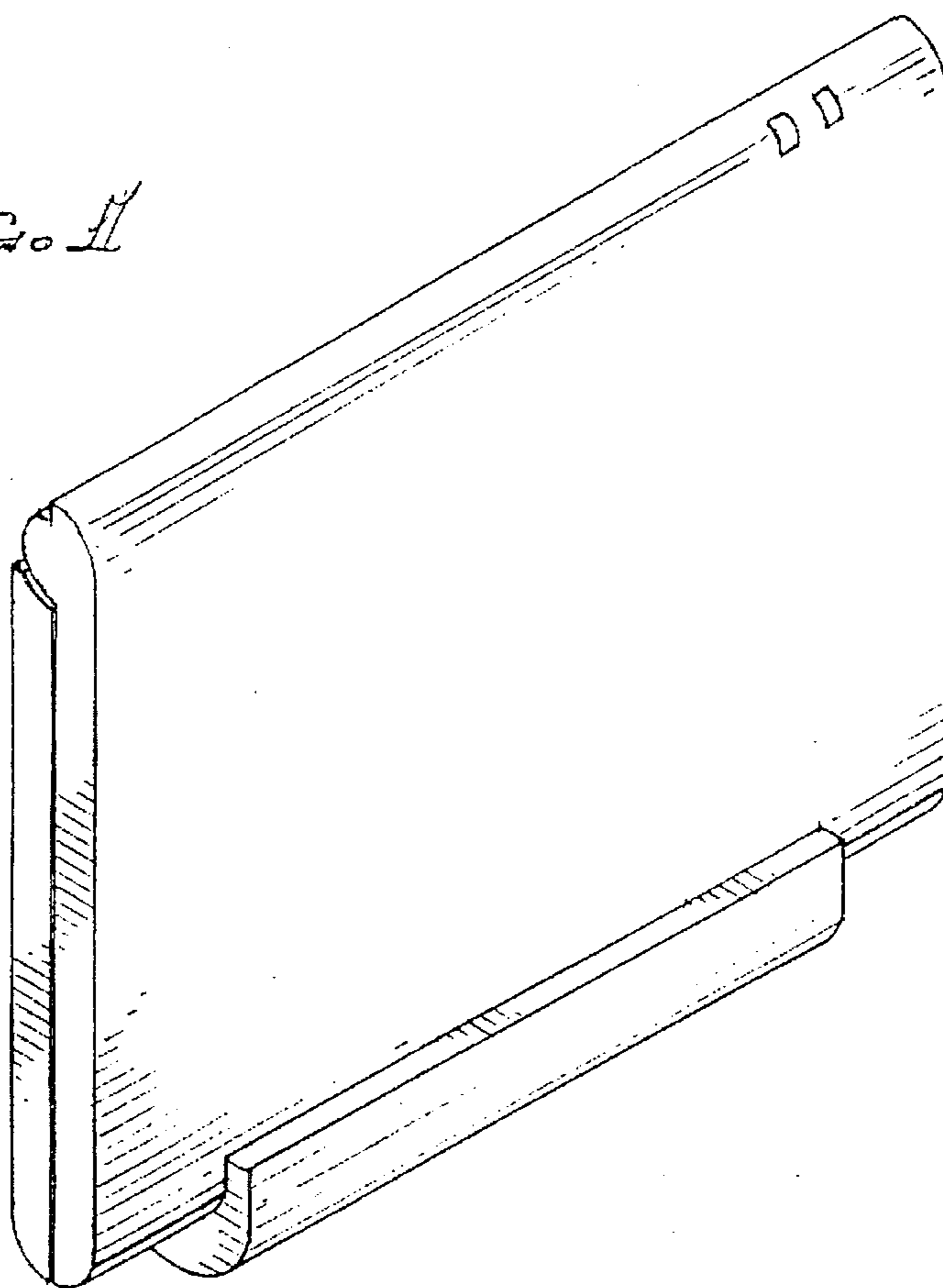


FIG. 2

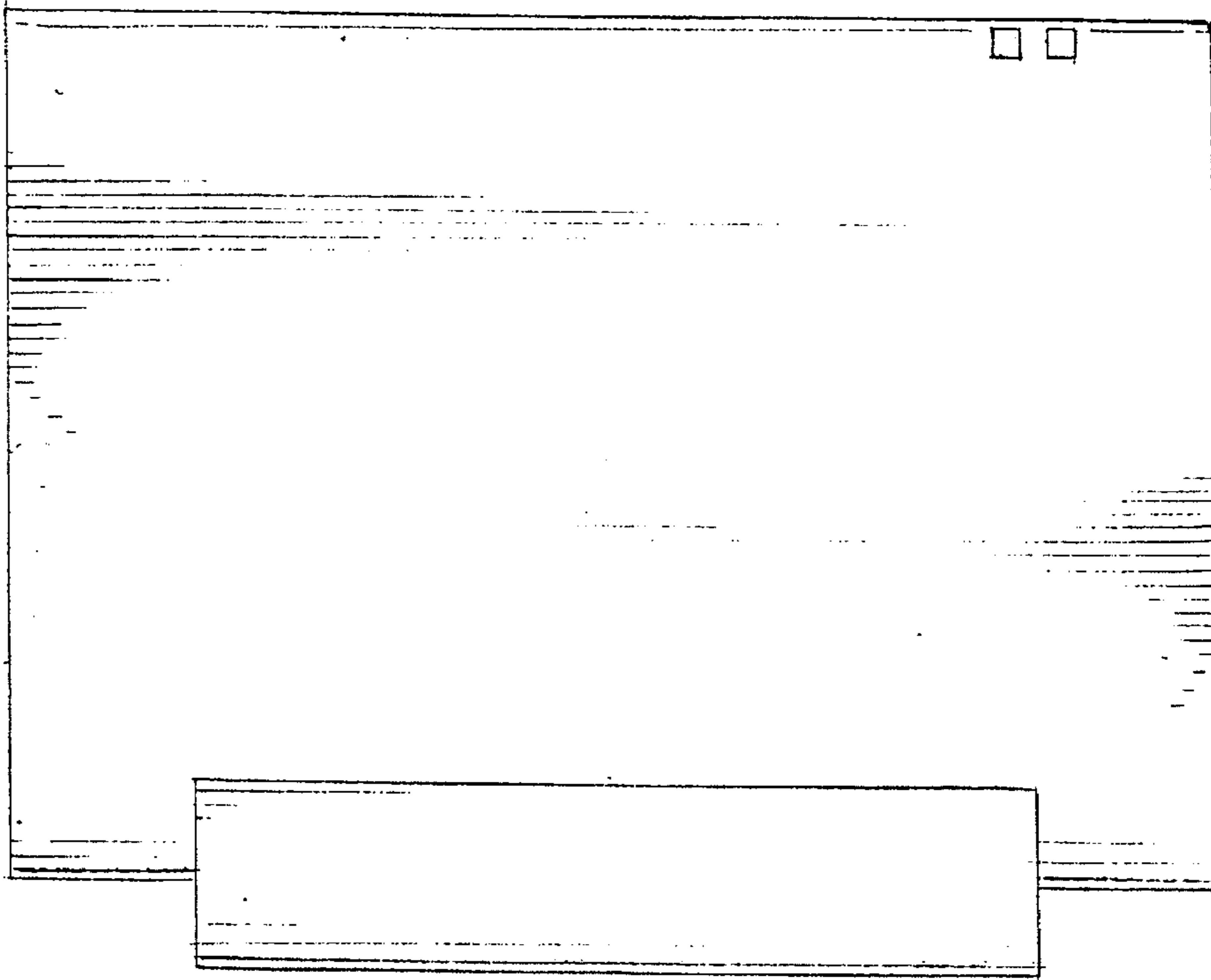


FIG. 3

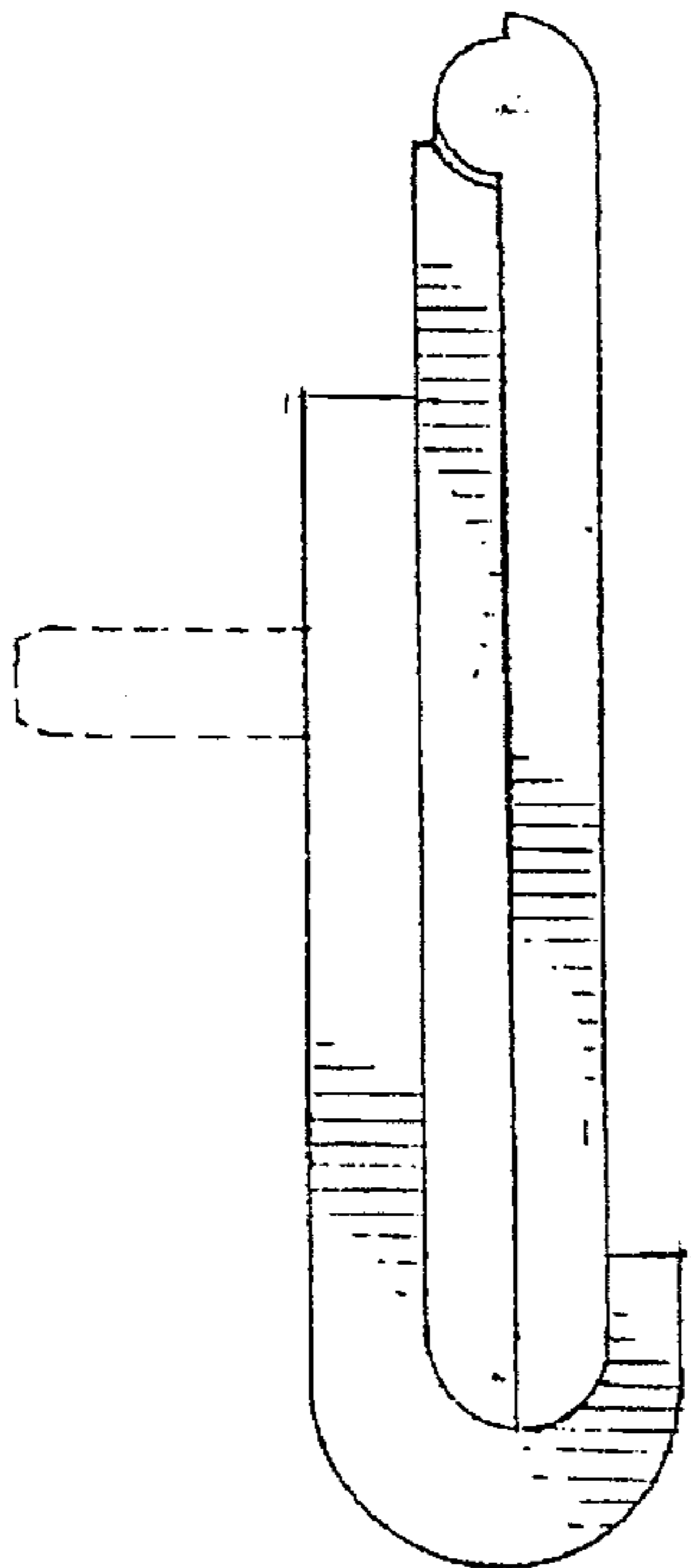


FIG. 4

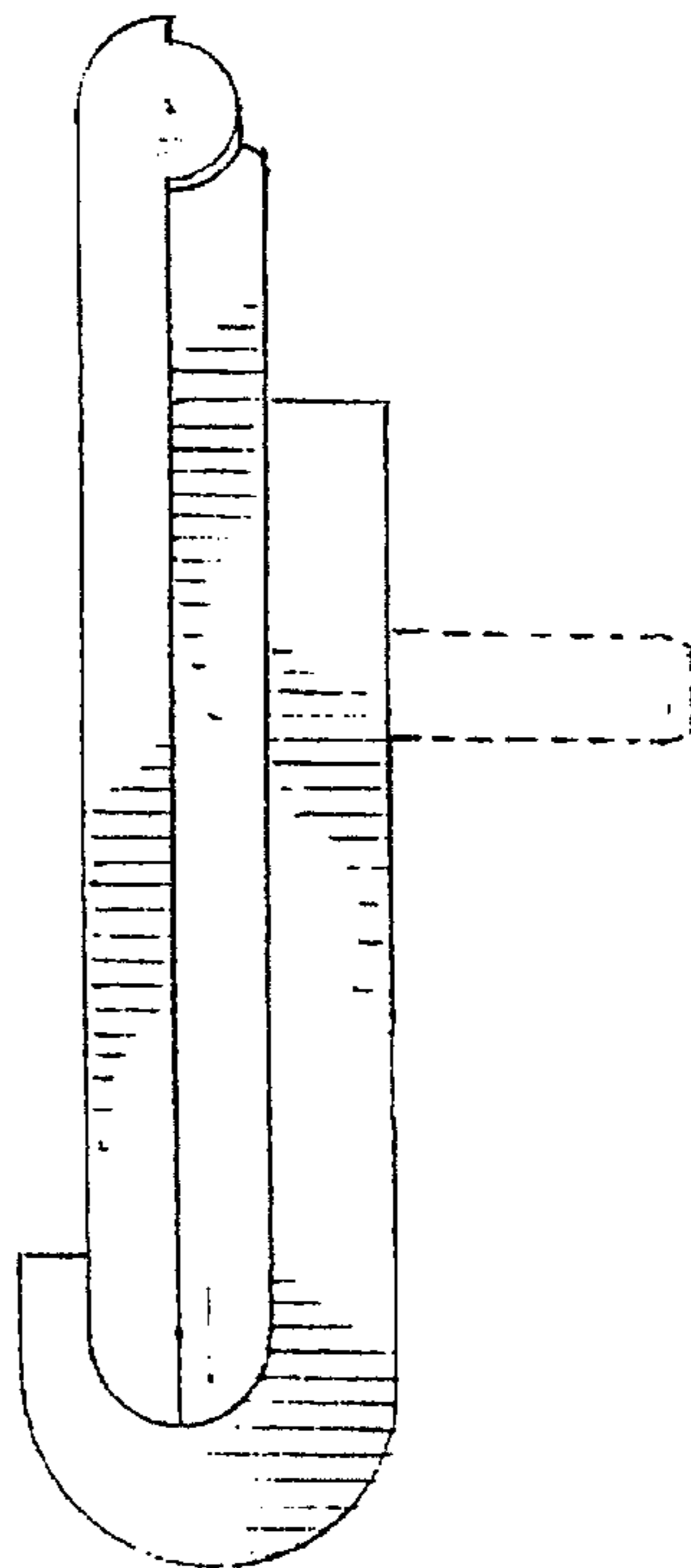


FIG. 5

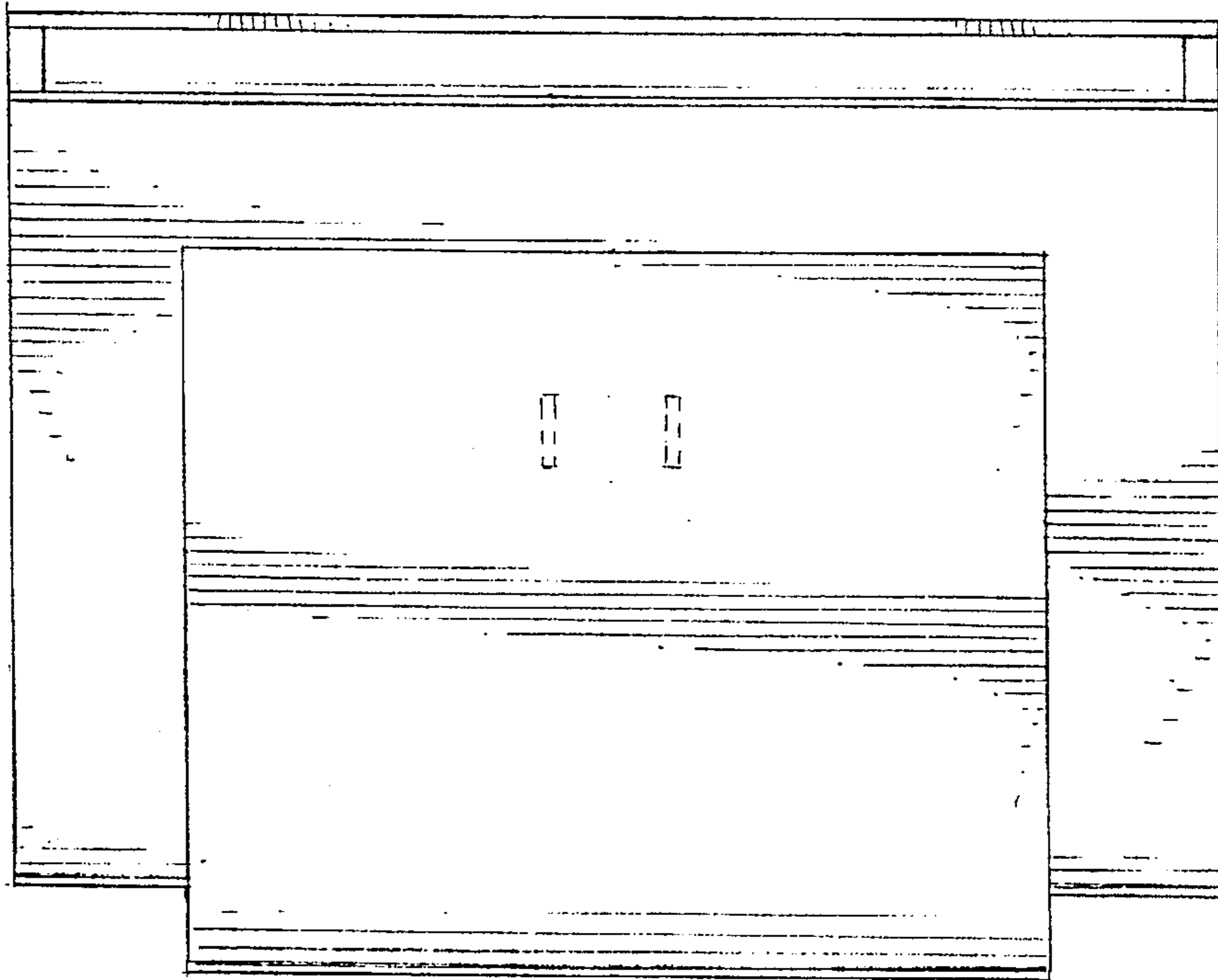


FIG. 6

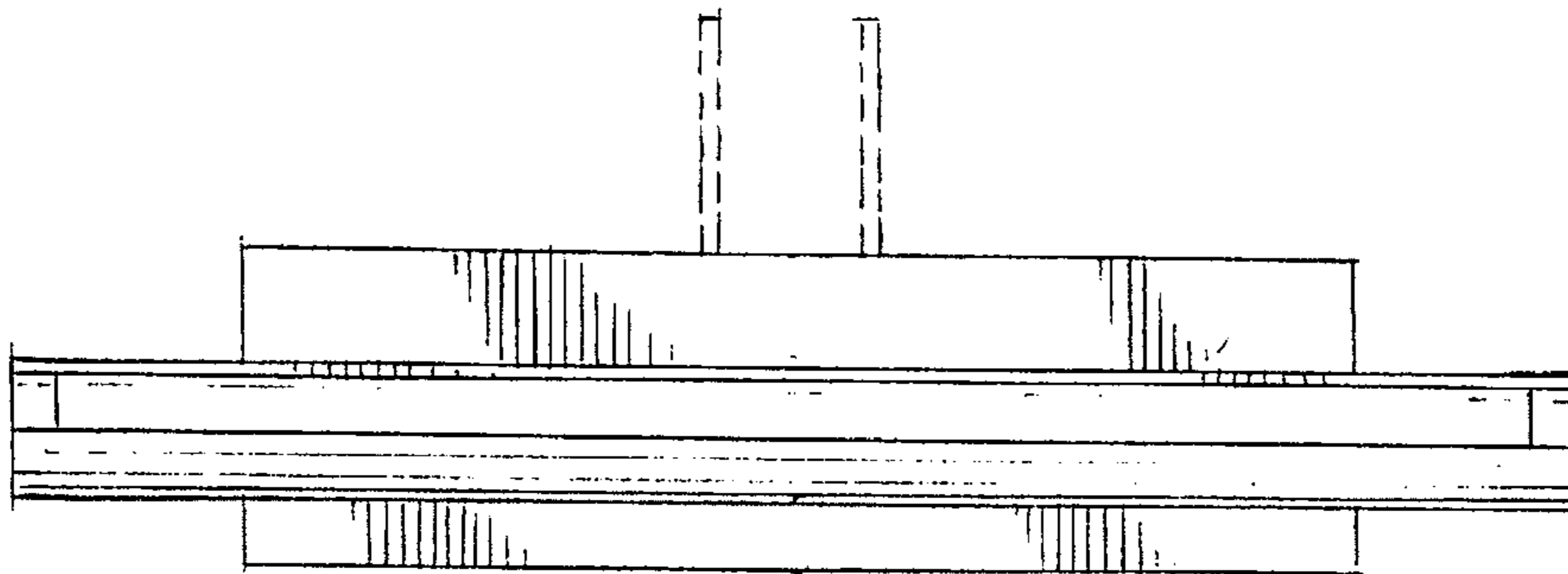


FIG. 7

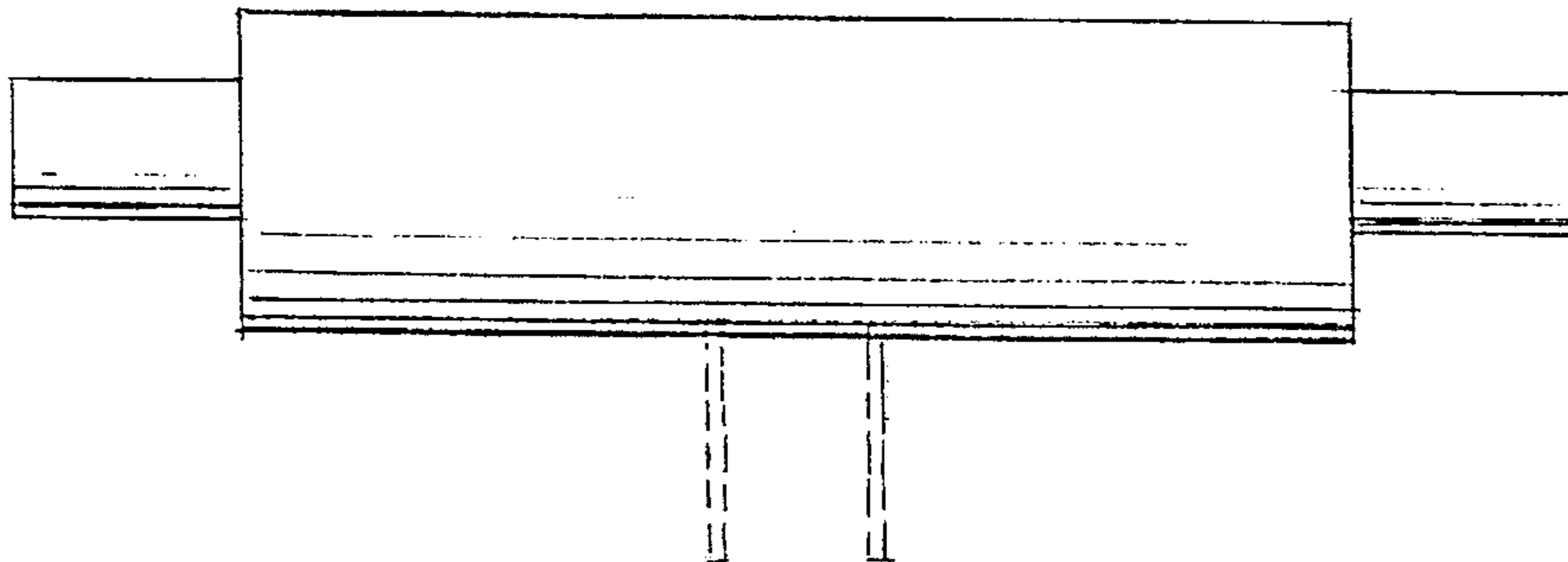


FIG. 8

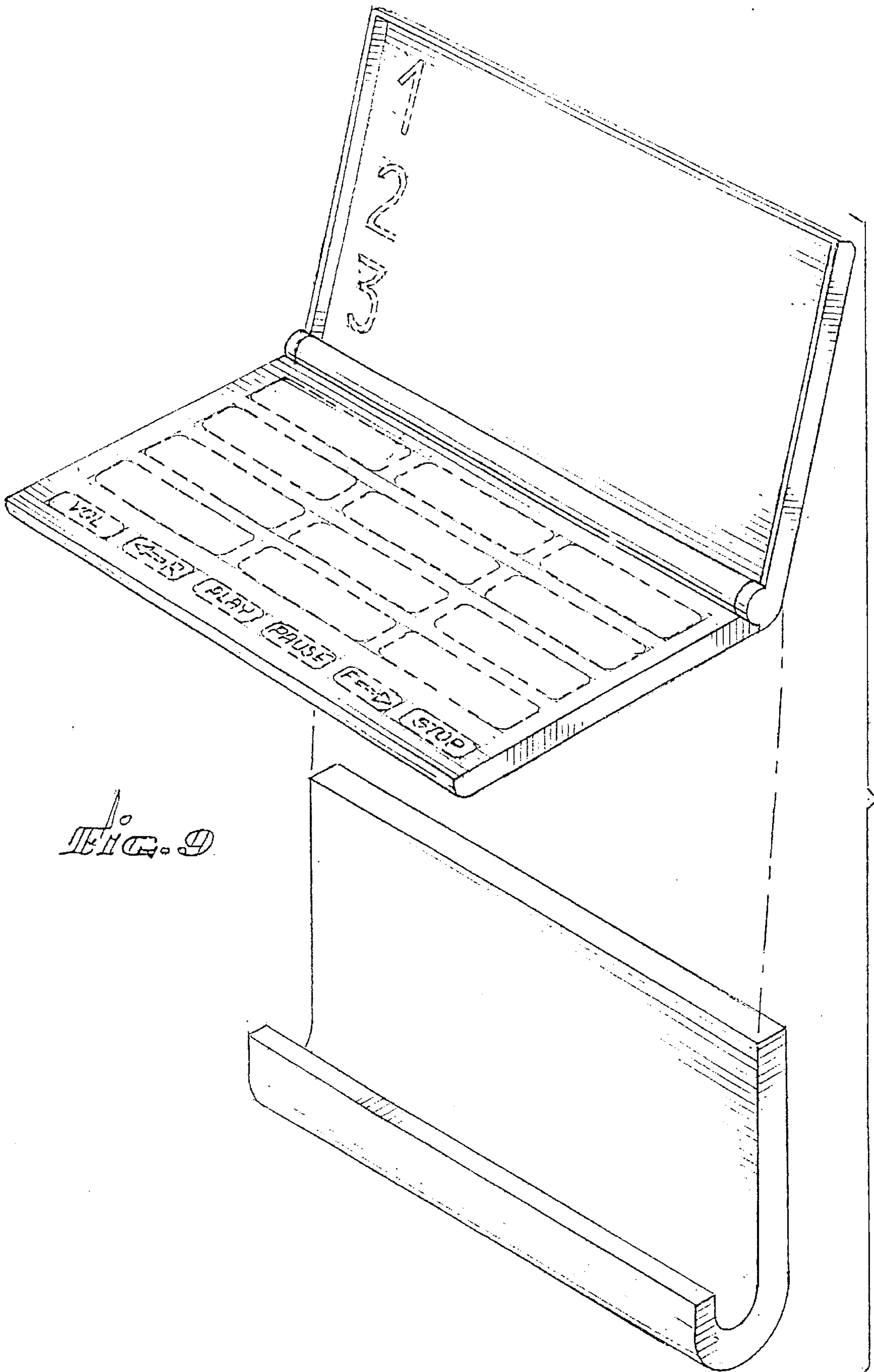


FIG. 9