



US00D381329S

United States Patent [19]

[11] Patent Number: **Des. 381,329**

Urlik

[45] Date of Patent: ****Jul. 22, 1997**

[54] **FILM CONTAINER**

[76] Inventor: **Randall G. Urlik**, 8093 S. Jackson St., Littleton, Colo. 80122

[**] Term: **14 Years**

[21] Appl. No.: **46,394**

[22] Filed: **Nov. 14, 1995**

[51] LOC (6) Cl. **14-99**

[52] U.S. Cl. **D14/122; D3/201**

[58] Field of Search D3/201, 263, 328; D14/120, 121, 122; D18/44; 206/405, 387, 390; 40/307

3,454,153	7/1969	Jensen	206/405
3,612,233	10/1971	Nagpal	206/389
3,802,106	4/1974	Lippman	D14/122
3,845,916	11/1974	Livingston et al.	206/389
3,863,762	2/1975	Arai	206/405
5,027,949	7/1991	Terwilliger et al.	206/405

Primary Examiner—Celia Murphy
Attorney, Agent, or Firm—Terry M. Gernstein

[57] CLAIM

The ornamental design for a film container, as shown and described.

DESCRIPTION

FIG. 1 is an exploded perspective view of a film container showing my new design; the broken lines showing a film canister being for illustrative purposes only and forming no part of the claimed design;

FIG. 2 is an enlarged top plan view thereof showing my new design;

FIG. 3 is a bottom plan view of FIG. 2; and,

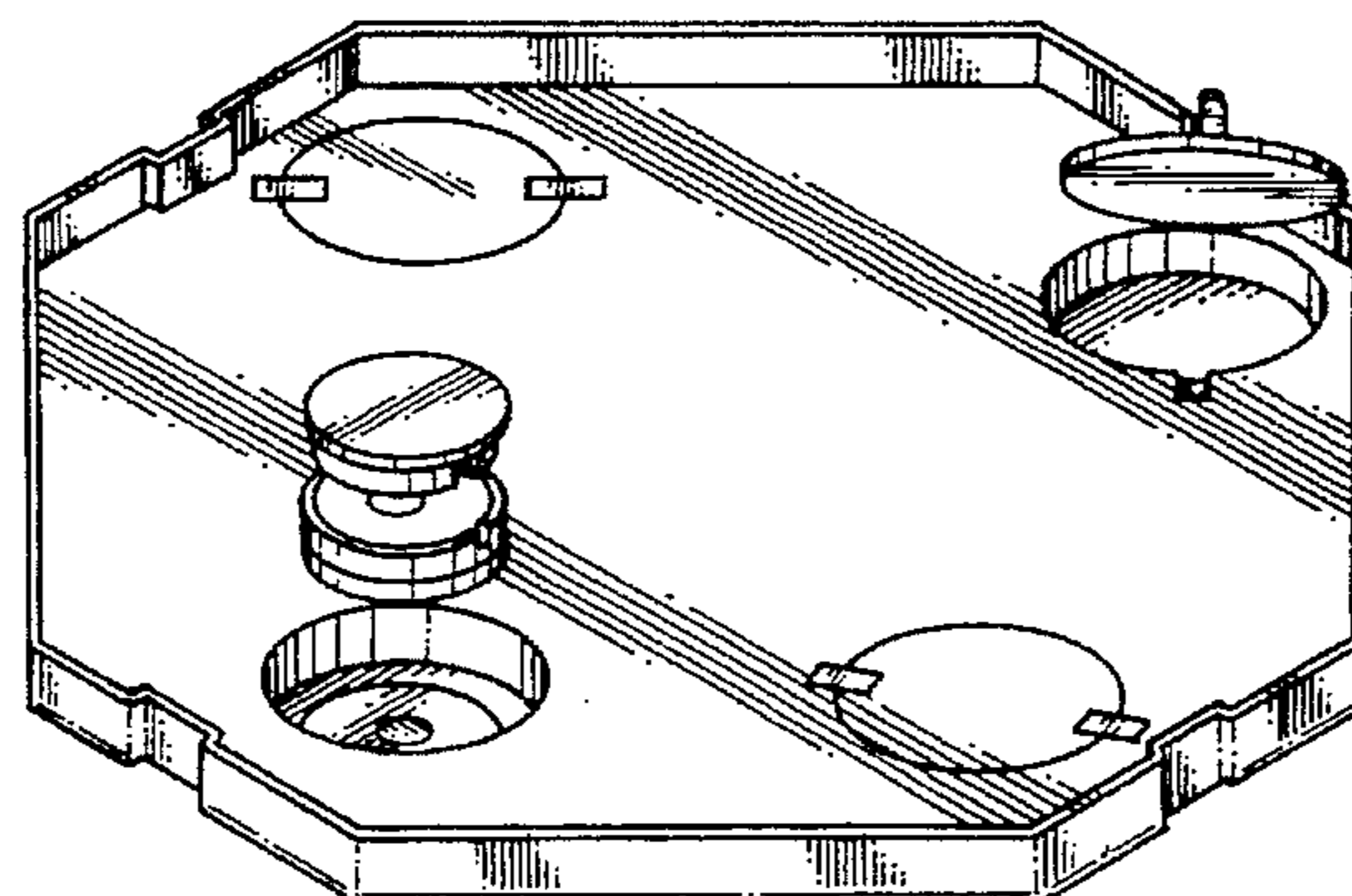
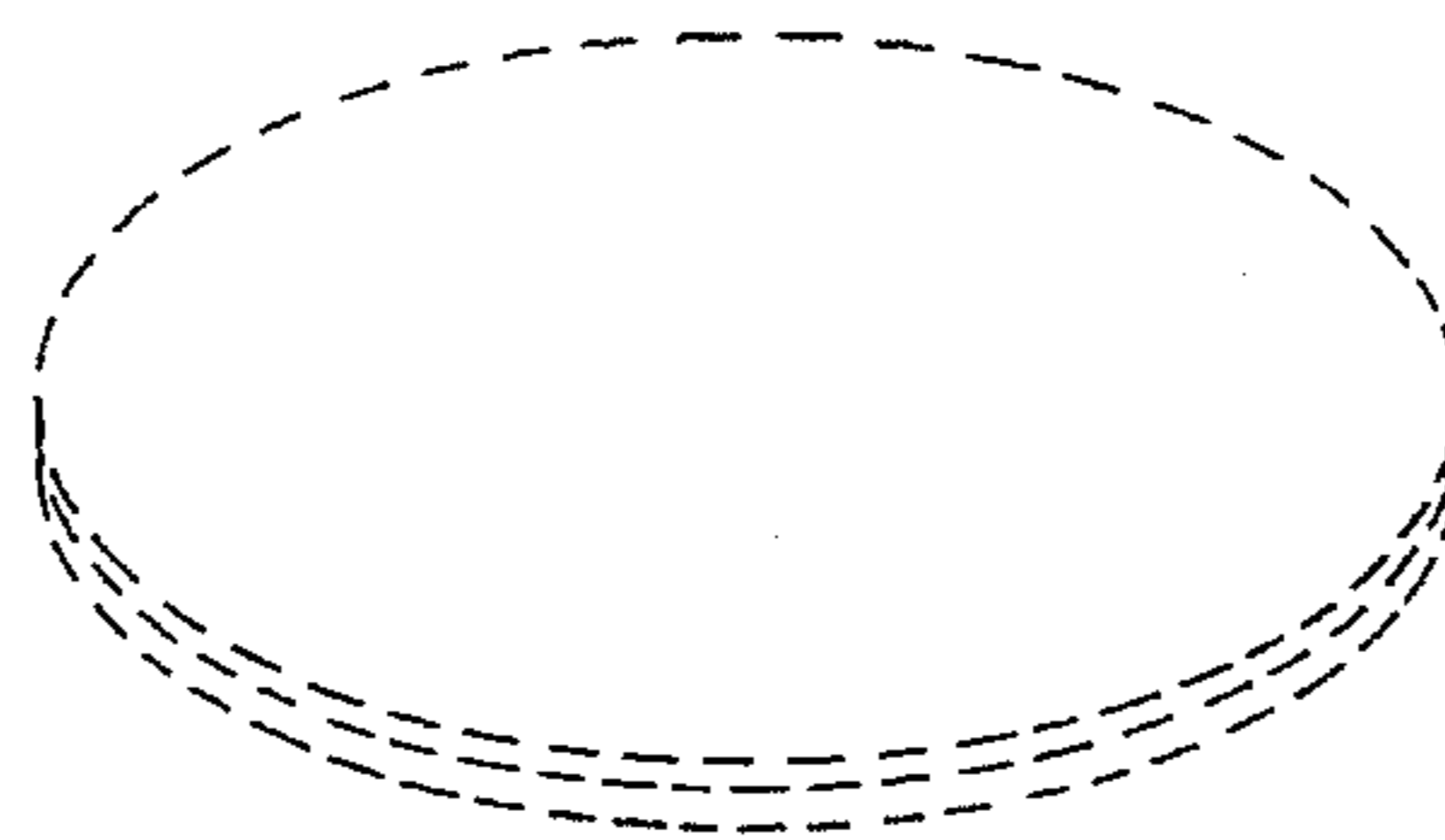
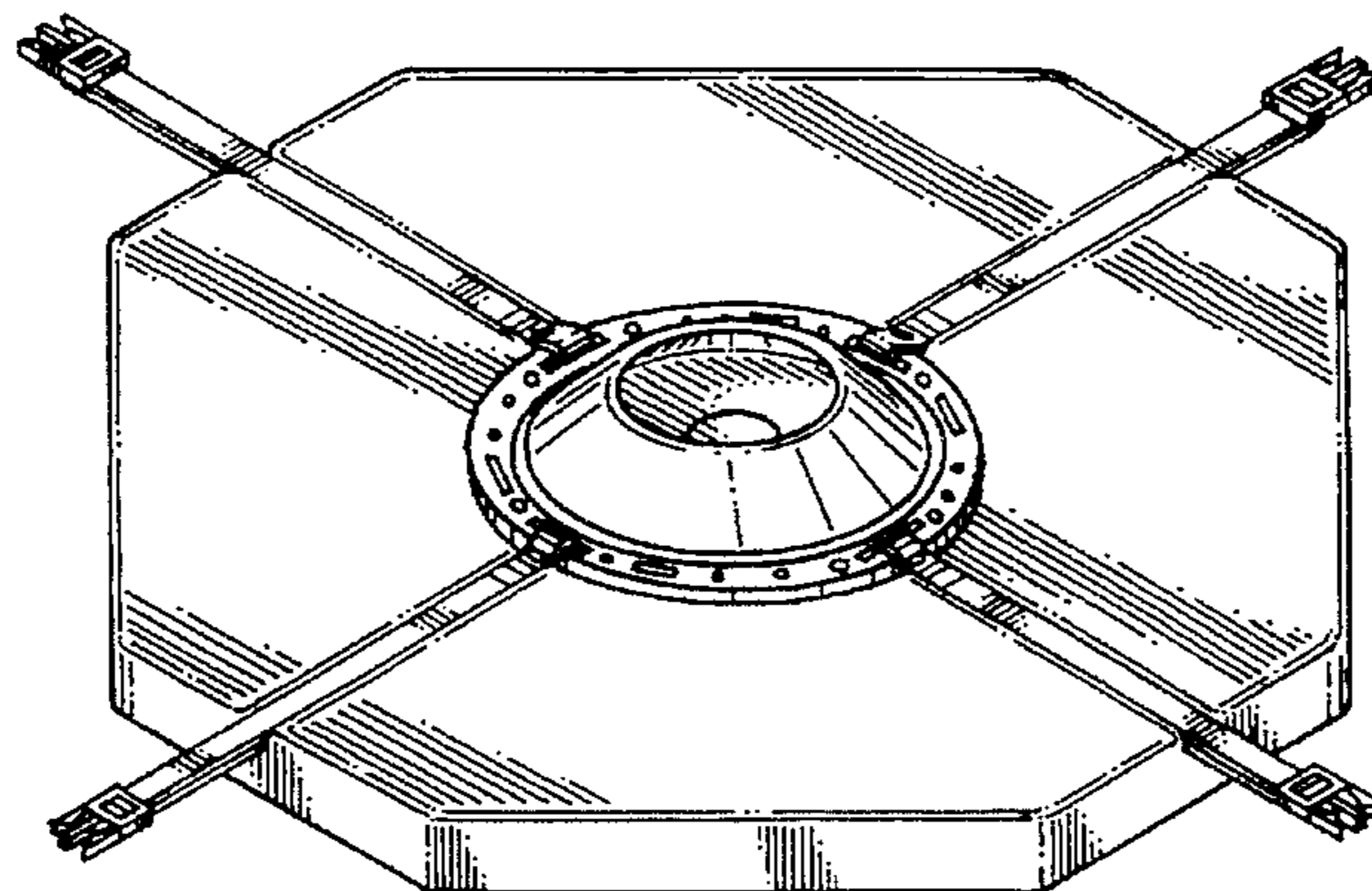
FIG. 4 is a side elevational view of FIG. 2. all side elevational views being identical.

[56] References Cited

U.S. PATENT DOCUMENTS

D. 187,052	1/1960	Kellogg	D3/201
D. 211,356	6/1968	Jensen	D14/122
D. 236,856	9/1975	Miller	D3/217
2,105,530	1/1938	Goldberg	D14/122
2,626,705	1/1953	Ash	206/389
3,227,269	1/1966	Martinez et al.	D14/122
3,232,421	2/1966	Young	206/389

1 Claim, 3 Drawing Sheets



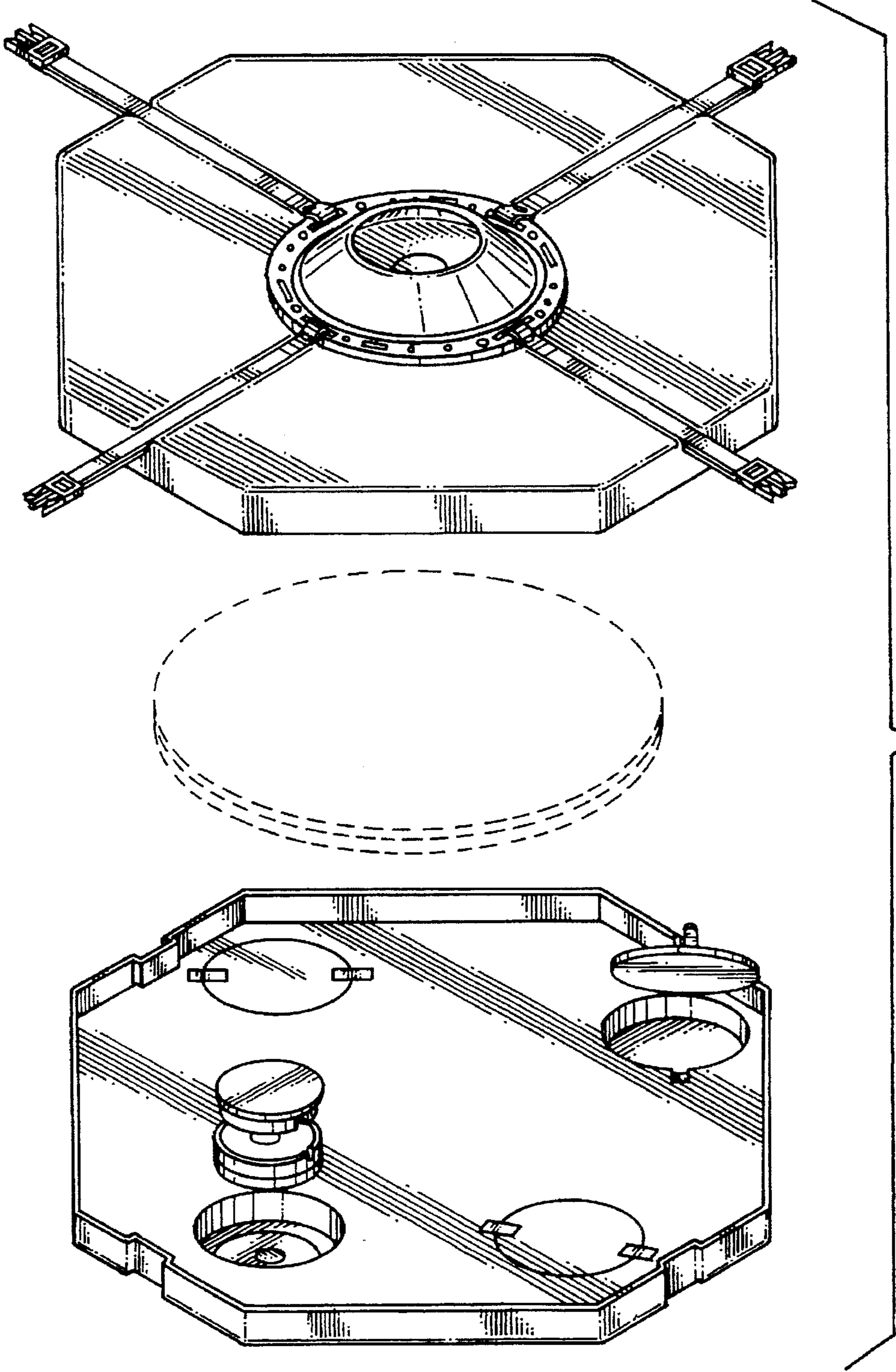


FIG. 1.

FIG. 2.

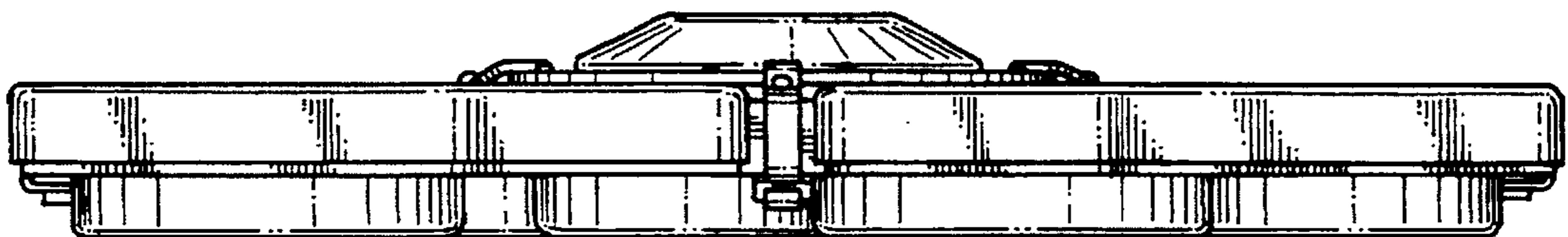
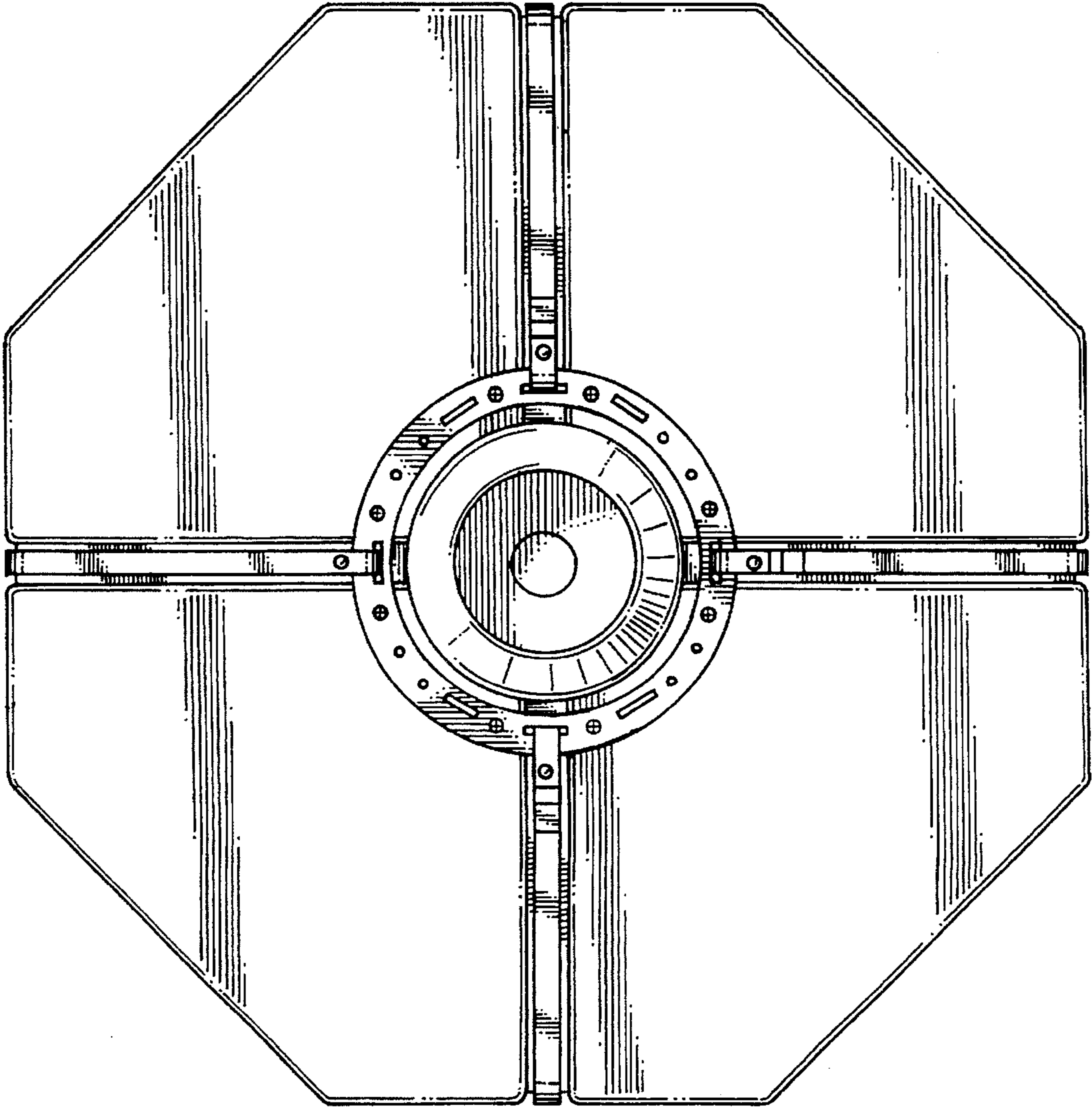


FIG. 4.

FIG. 3.

