



US00D381323S

United States Patent [19]

Hartman

[11] Patent Number: **Des. 381,323**

[45] Date of Patent: ****Jul. 22, 1997**

[54] **LAPTOP SCREEN**

[76] Inventor: **William M. Hartman**, 600 S. Dearborn St., #1405, Chicago, Ill. 60605

[**] Term: **14 Years**

[21] Appl. No.: **49,322**

[22] Filed: **Jan. 23, 1996**

[51] LOC (6) Cl. **14-02**

[52] U.S. Cl. **D14/113; D14/100**

[58] Field of Search D14/100, 101, D14/105, 106, 113, 115, 218, 124-129; 345/104, 133, 156, 168, 172, 173, 169; 248/917-924; D18/1, 7; 178/18, 19; 364/708.1

[56] **References Cited**

U.S. PATENT DOCUMENTS

| | | | |
|------------|---------|-------------------|-----------|
| D. 350,373 | 9/1994 | Chow et al. | D14/100 X |
| D. 354,483 | 1/1995 | Yamazaki | D14/100 X |
| D. 363,085 | 10/1995 | Cameron | D14/100 X |
| D. 371,810 | 7/1996 | Arad et al. | D14/100 X |
| D. 374,213 | 10/1996 | Jones et al. | D14/100 |

OTHER PUBLICATIONS

- MacConnection, Jan./Feb. 1996, p. C1.
- BusinessWeek, Feb. 5, 1996, p. 151.
- The Mac Zone, publication date unknown, pp. 120-121.

Primary Examiner—Freda Nunn

Attorney, Agent, or Firm—Craig A. Summerfield, Esq.; Brinks Hofer Gilson & Lione

[57] **CLAIM**

The ornamental design for a laptop screen, as shown and described.

DESCRIPTION

FIG. 1 is a perspective view of a laptop screen;

FIG. 2 is a front elevational view thereof;

FIG. 3 is a top plan view thereof;

FIG. 4 is a back elevational view thereof;

FIG. 5 is a bottom plan view thereof;

FIG. 6 is a left side elevational view thereof;

FIG. 7 is a right side elevational view thereof;

FIG. 8 is a back elevational view of a laptop screen, with an accessory snap-fit handheld remote control; and,

FIG. 9 is a right side elevational view of the laptop screen of FIG. 8.

1 Claim, 3 Drawing Sheets

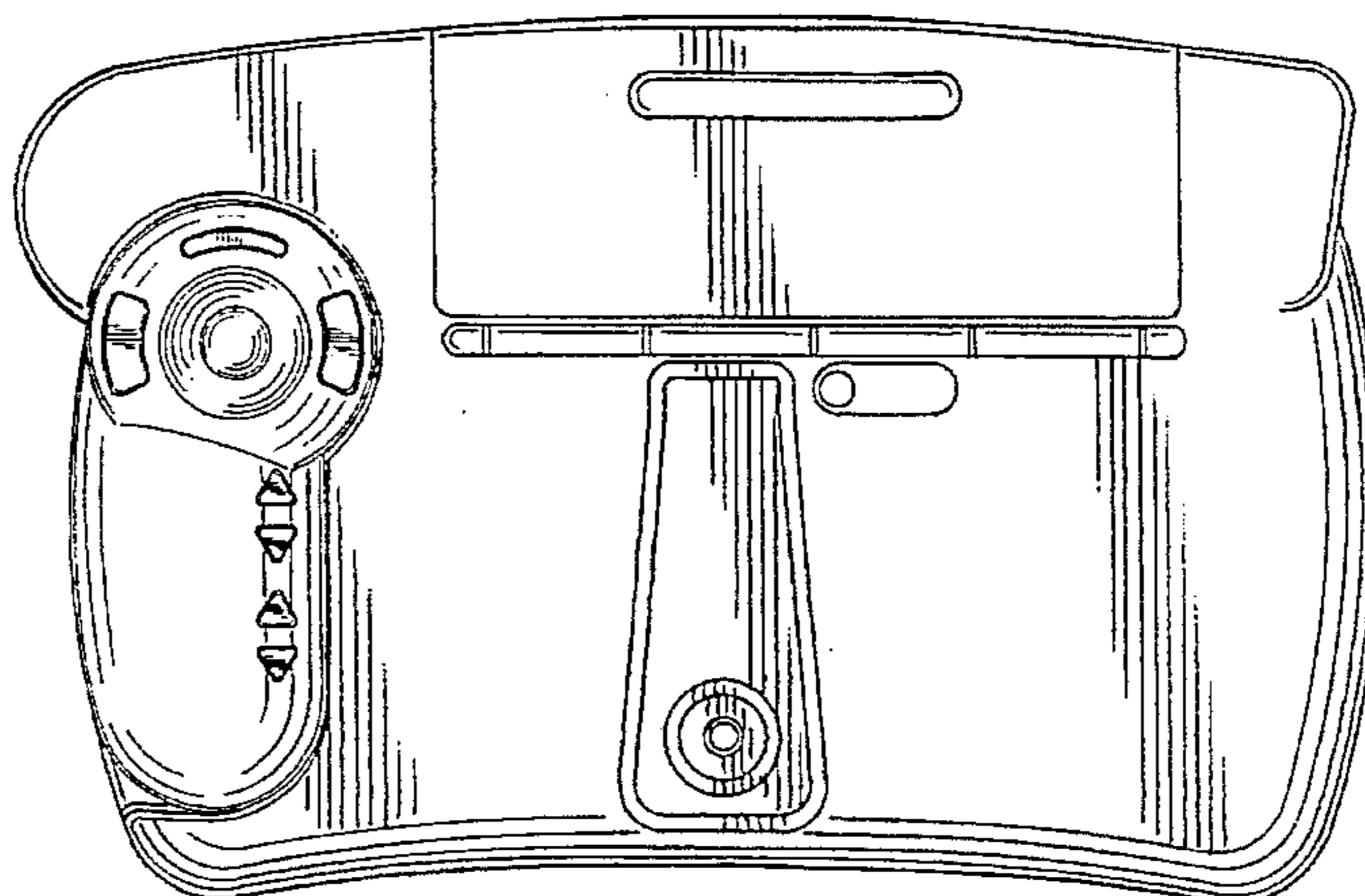
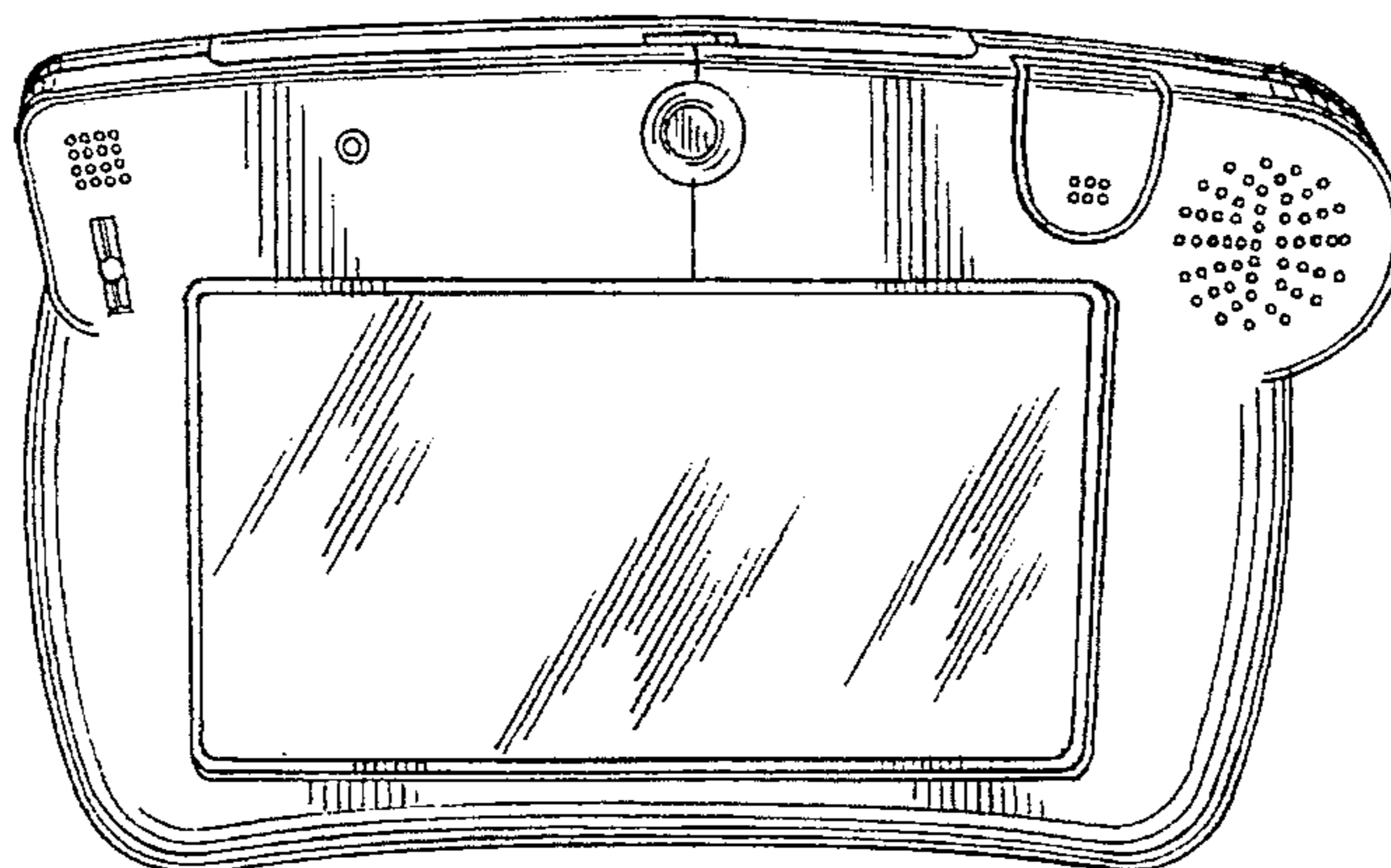


FIG. 1

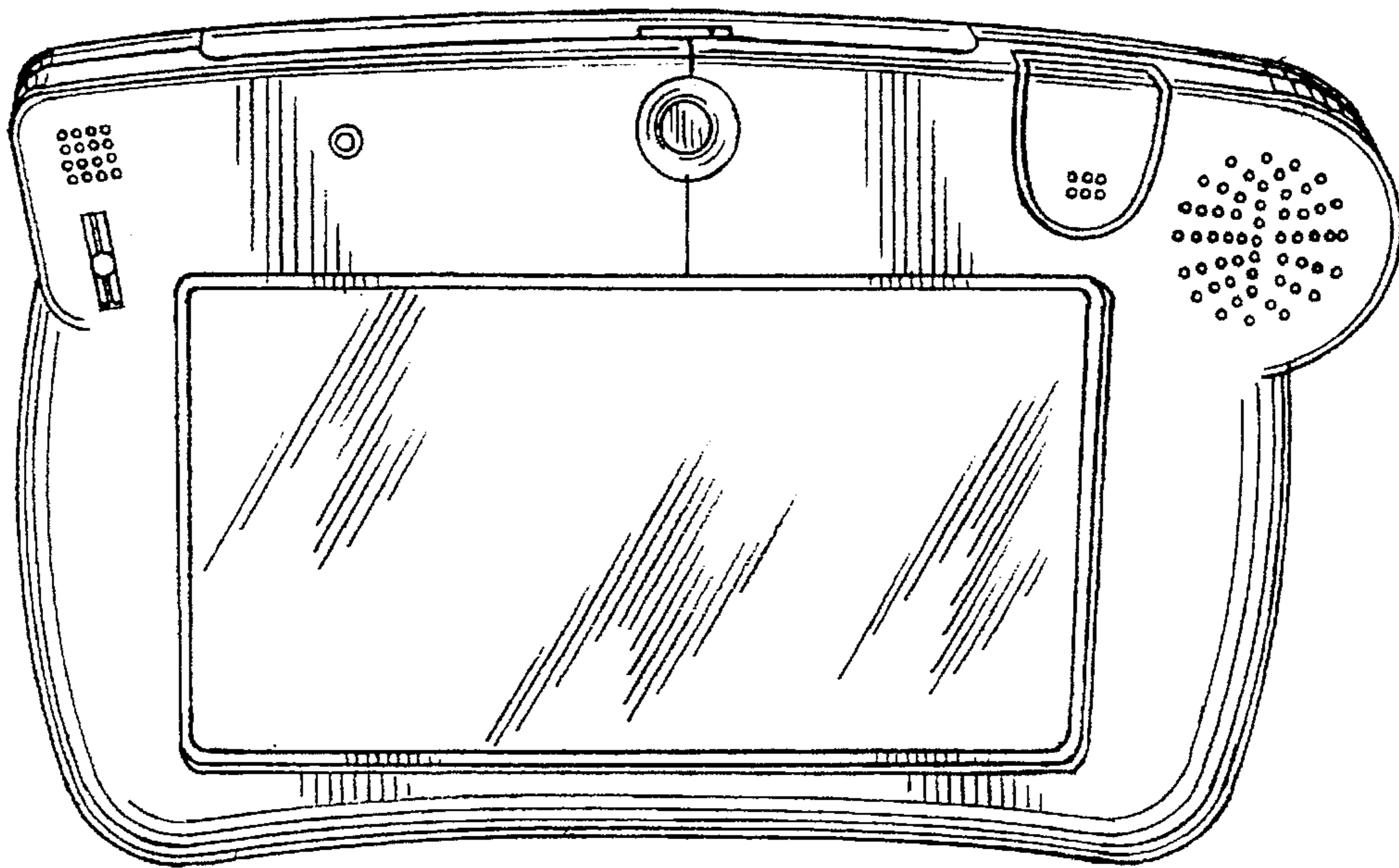


FIG. 2

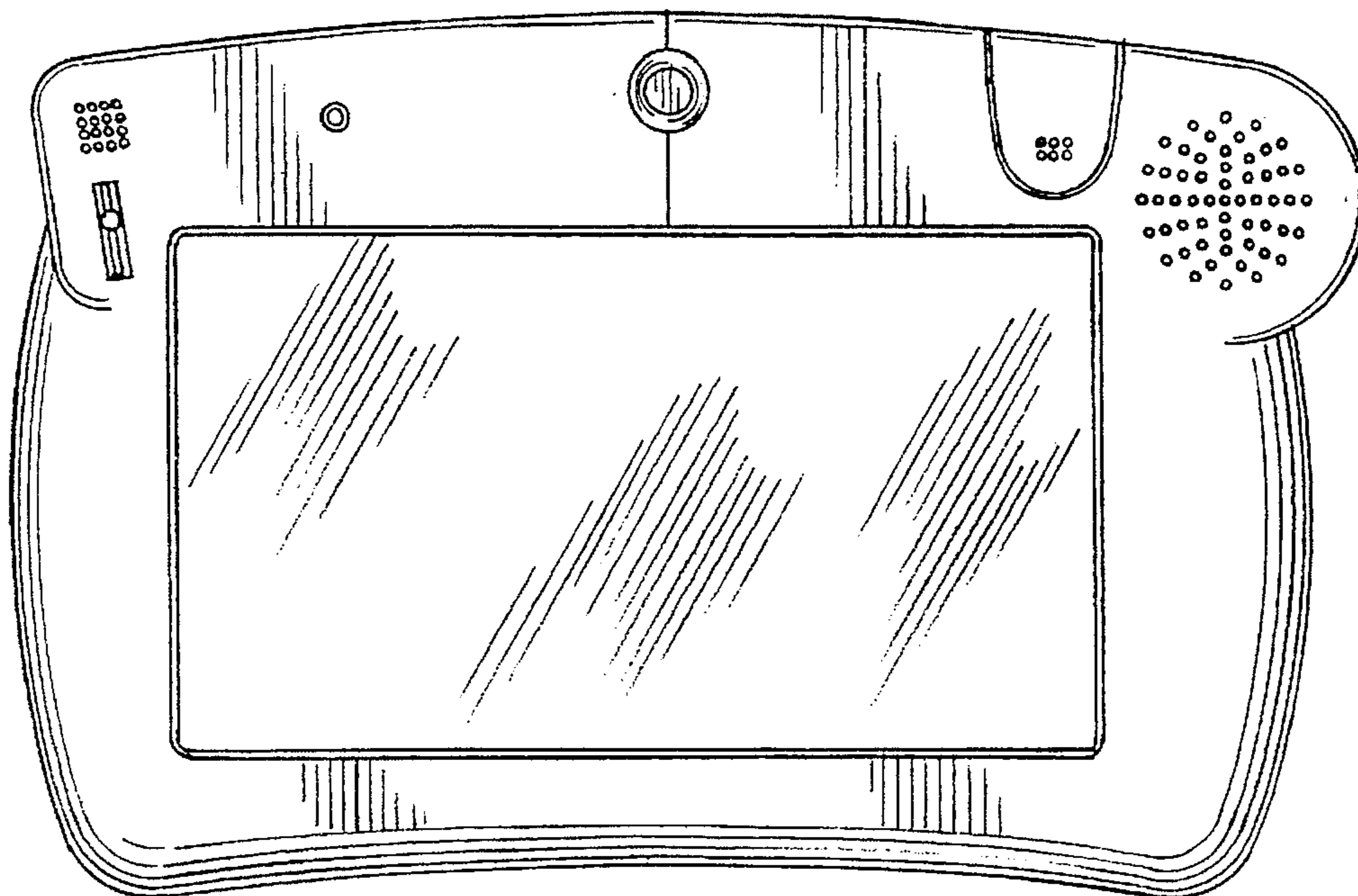


FIG. 3

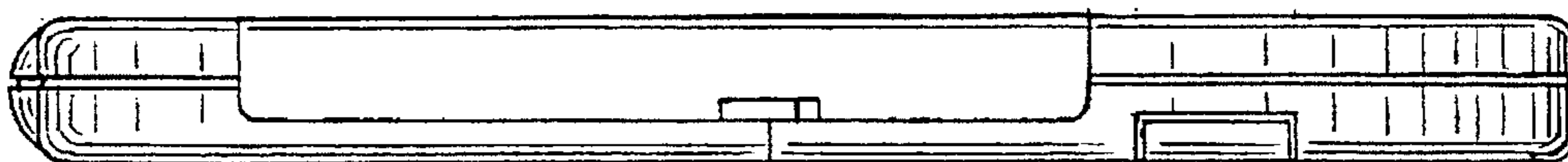


FIG. 4

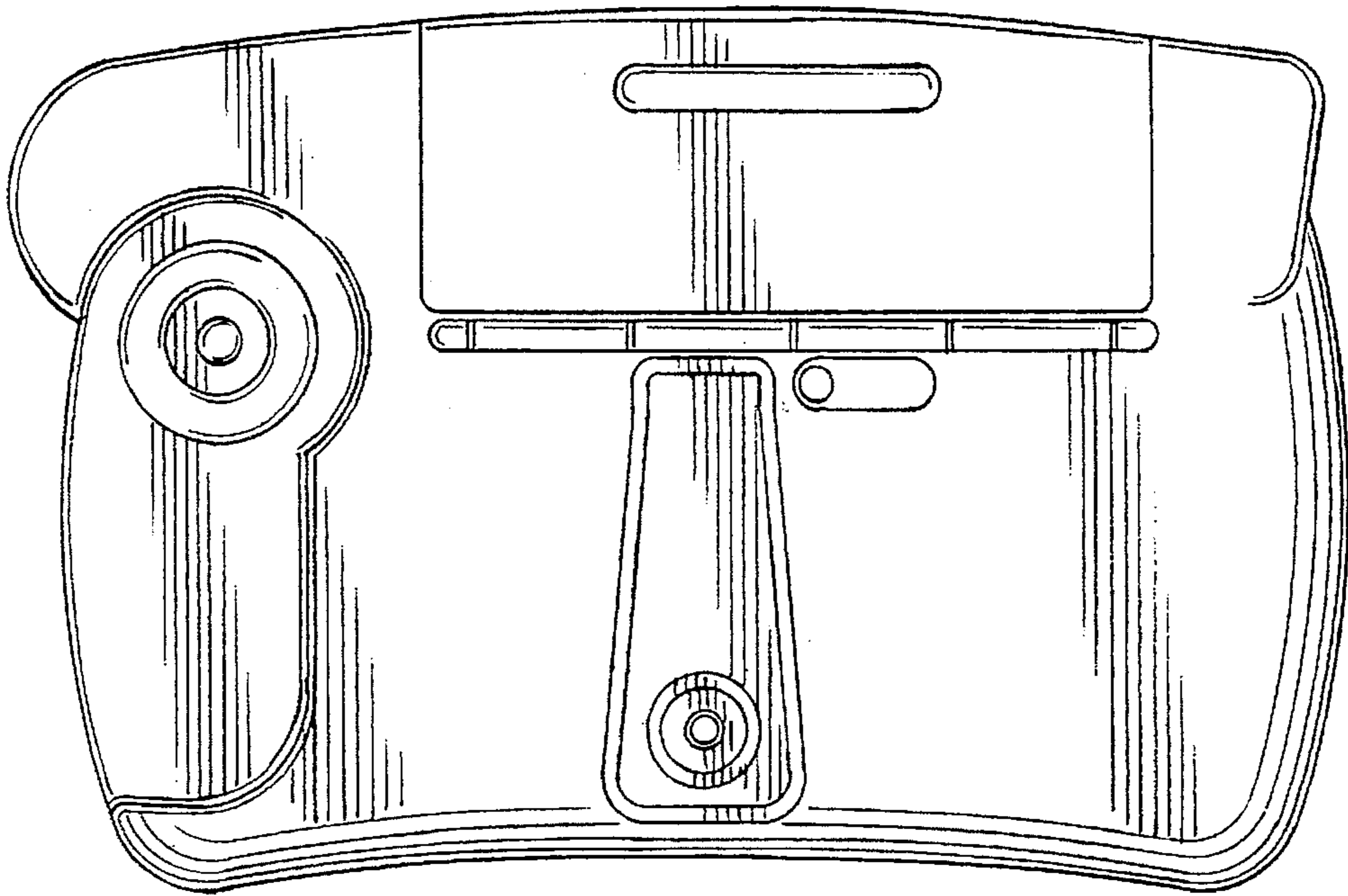


FIG. 5

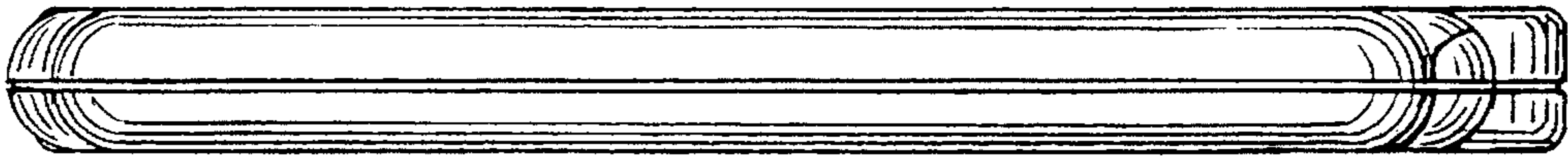


FIG. 6



FIG. 7

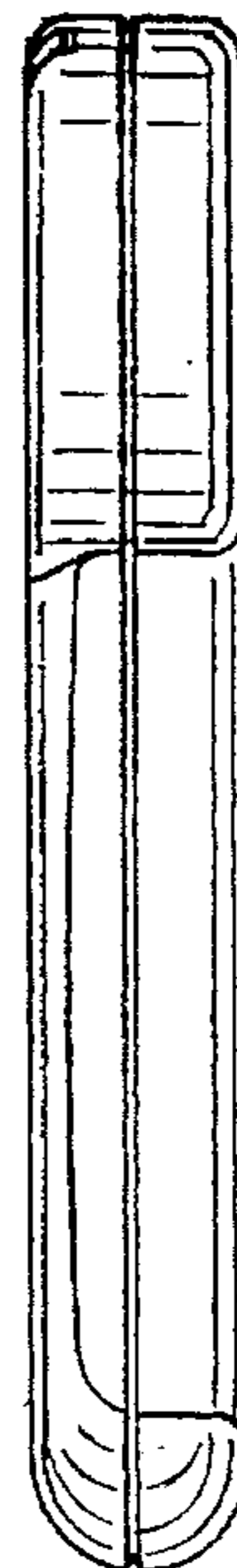


FIG. 8

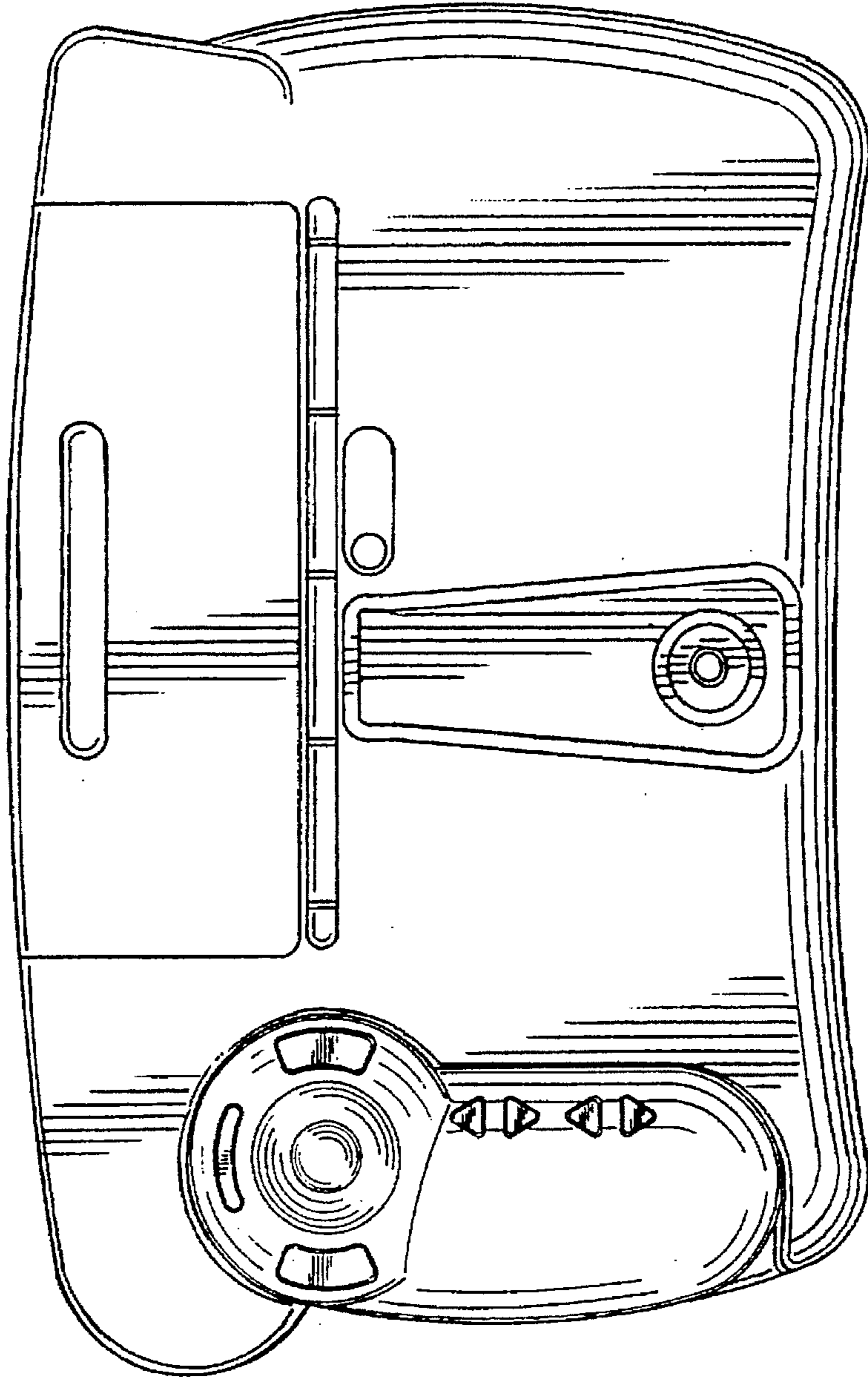


FIG. 9

