



US00D381319S

United States Patent [19]

Nogas

[11] Patent Number: **Des. 381,319**

[45] Date of Patent: ****Jul. 22, 1997**

[54] **MODULAR, STACKING, ELECTRONIC ENCLOSURE SYSTEM**

[75] Inventor: **David A. Nogas**, Ottawa, Canada

[73] Assignee: **Mitel Corporation**, Kanata, Canada

[**] Term: **14 Years**

[21] Appl. No.: **43,252**

[22] Filed: **Aug. 30, 1995**

[30] **Foreign Application Priority Data**

Mar. 7, 1995 [CA] Canada 1995-0526

[51] **LOC (6) Cl.** **14-02**

[52] **U.S. Cl.** **D14/100**

[58] **Field of Search** D14/100, 102, D14/107-109; D13/162, 184, 199; D6/432, 436, 445, 448; 312/208.1, 223.2, 223.3, 194, 293; 360/97.01, 97.04, 98.01; 361/690-695

[56] **References Cited**

U.S. PATENT DOCUMENTS

- D. 301,137 5/1989 Treptow et al. D14/107
- D. 310,825 9/1990 Crease et al. D14/100

Primary Examiner—Freda Nunn
Attorney, Agent, or Firm—Pascal & Associates

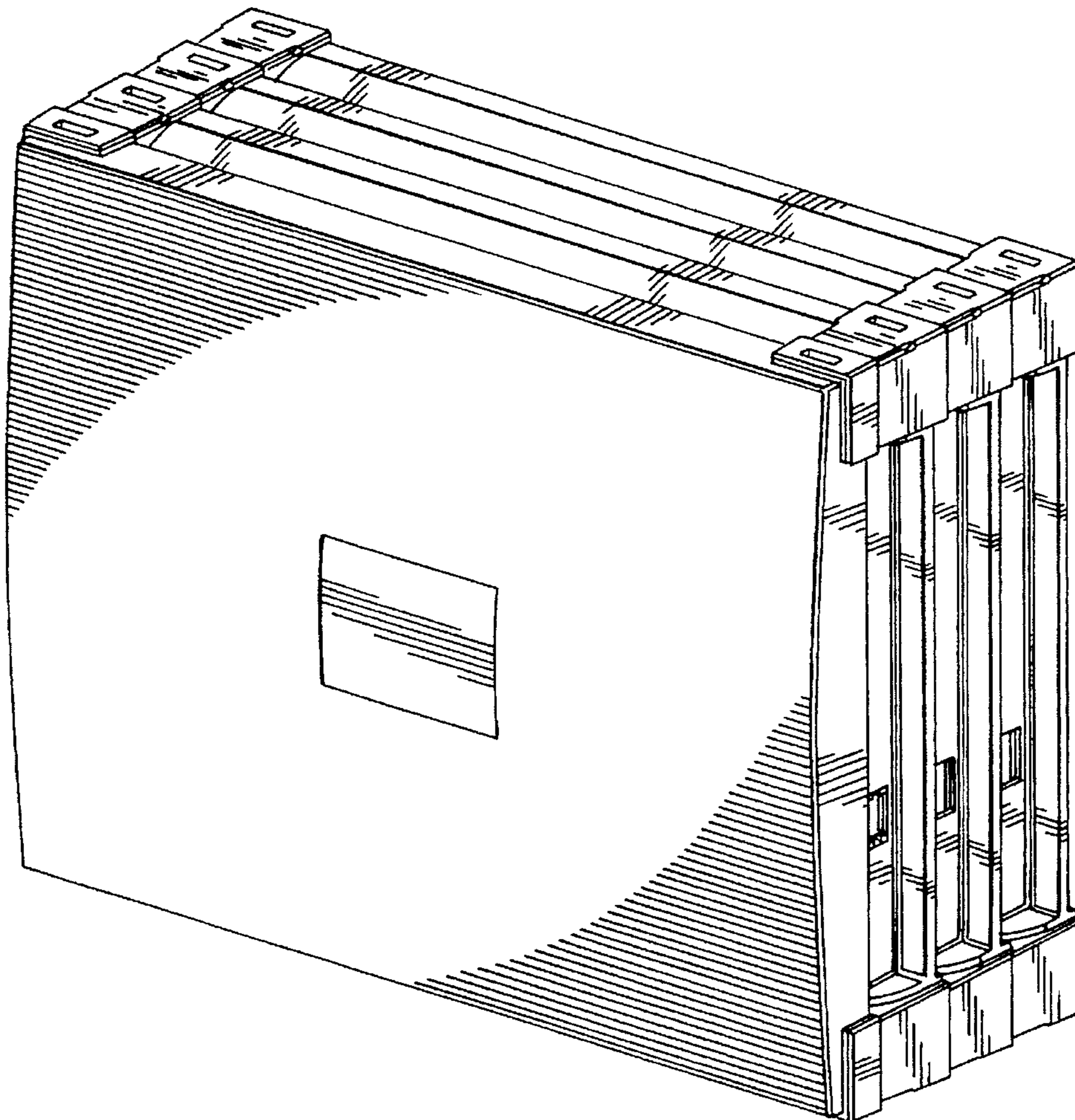
[57] **CLAIM**

The ornamental design for a modular, stacking, electronic enclosure system, as shown and described.

DESCRIPTION

FIG. 1 is a front view of a modular stacking electronic enclosure system showing my new design;
 FIG. 2 is a rear view thereof;
 FIG. 3 is a top plan view thereof;
 FIG. 4 is a left side elevational view thereof;
 FIG. 5 is a right side elevational view thereof;
 FIG. 6 is a bottom plan view thereof;
 FIG. 7 is a top perspective view thereof;
 FIG. 8 is a bottom perspective view thereof;
 FIG. 9 is a left side elevational view of a second embodiment thereof;
 FIG. 10 is a right side elevational view thereof;
 FIG. 11 is a front elevational view thereof;
 FIG. 12 is a rear elevational view thereof;
 FIG. 13 is a top plan view thereof;
 FIG. 14 is a top perspective view thereof; and,
 FIG. 15 is a bottom perspective view thereof.

1 Claim, 11 Drawing Sheets



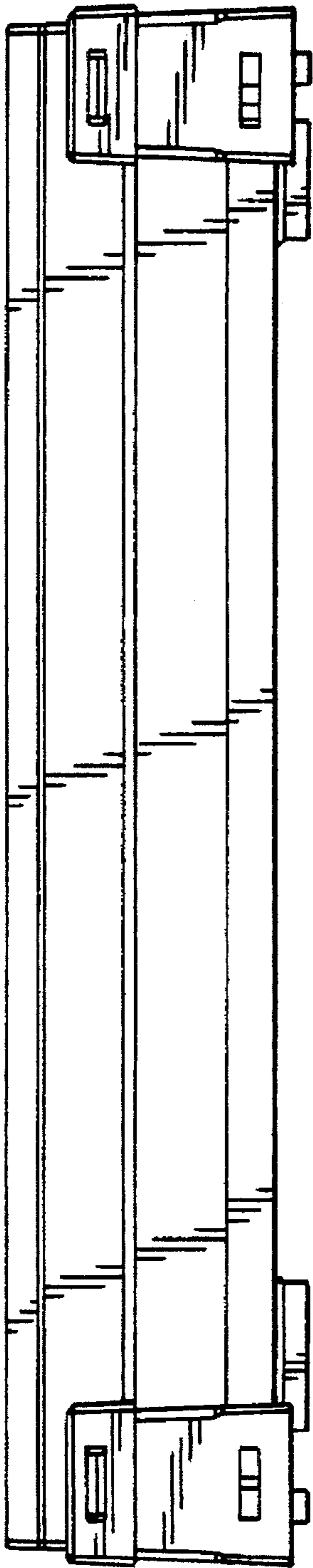


FIG. 1

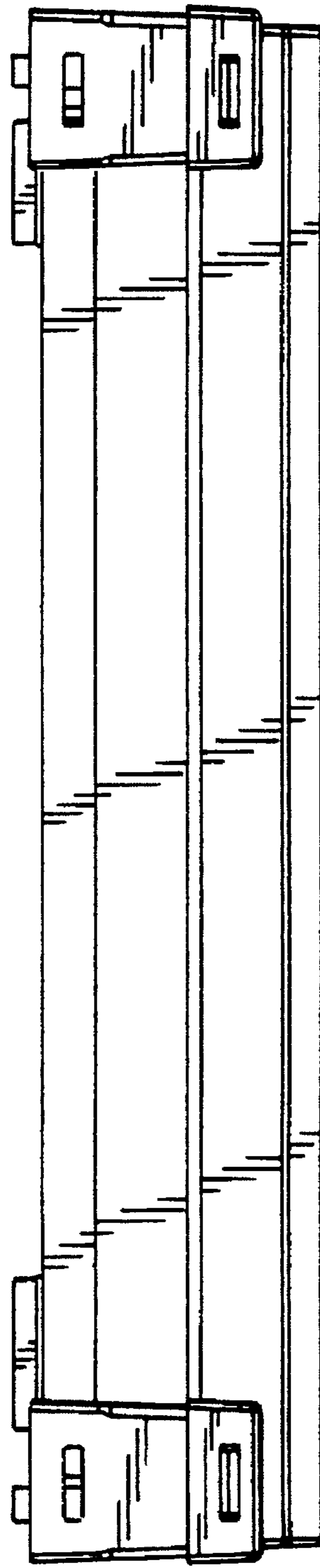


FIG. 2

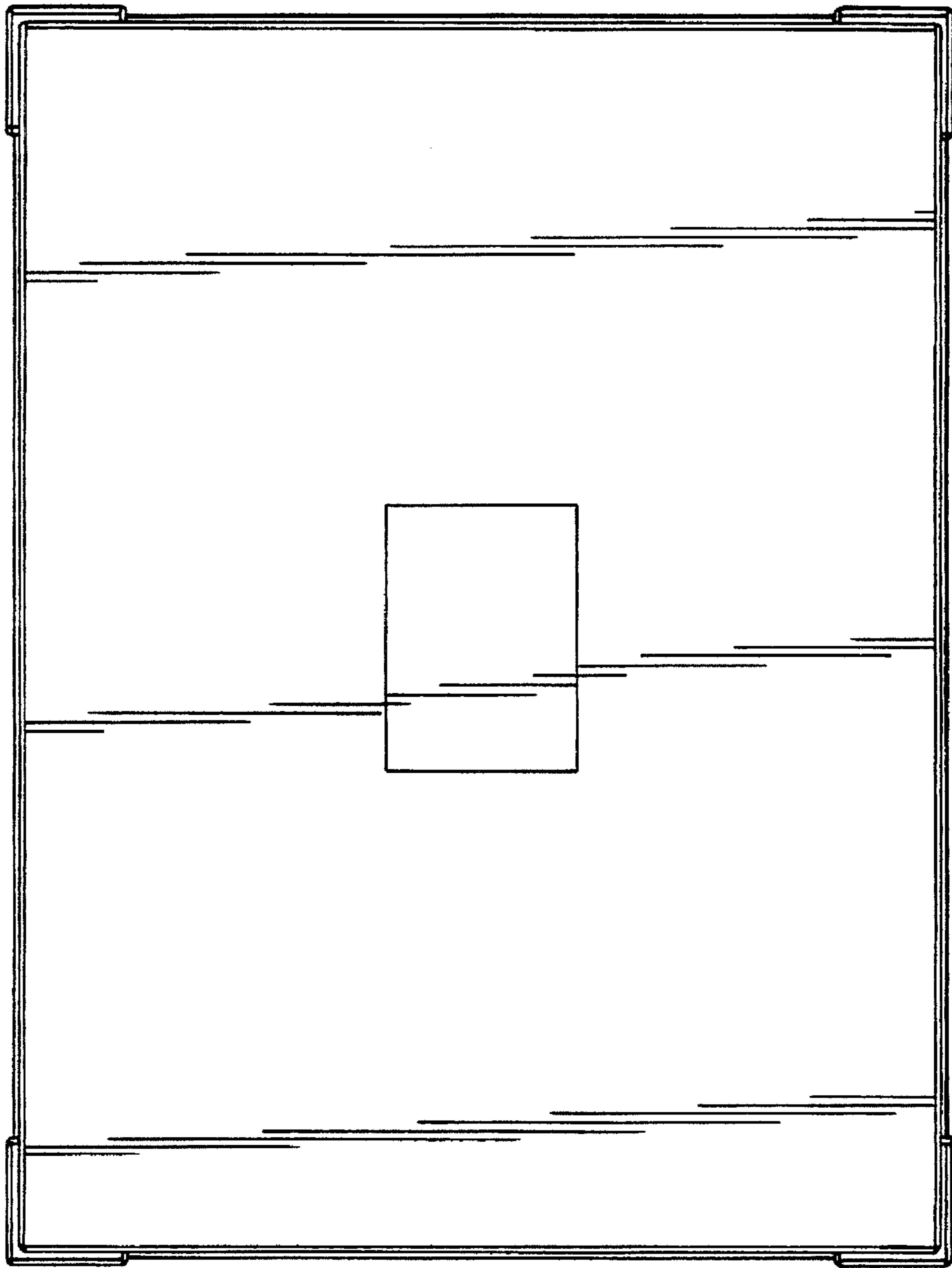


FIG. 3



FIG. 4

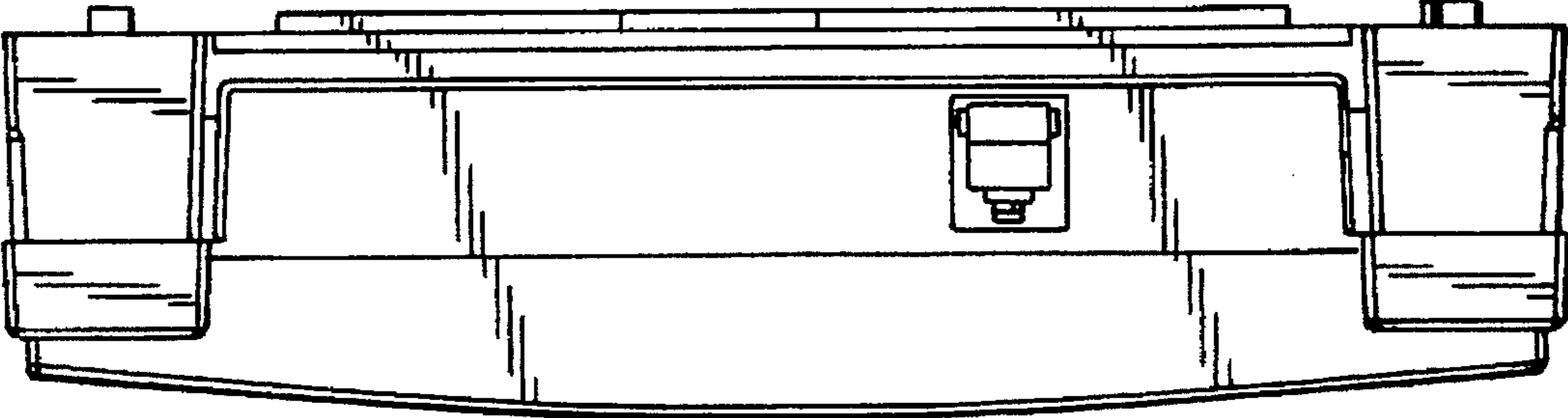


FIG. 5

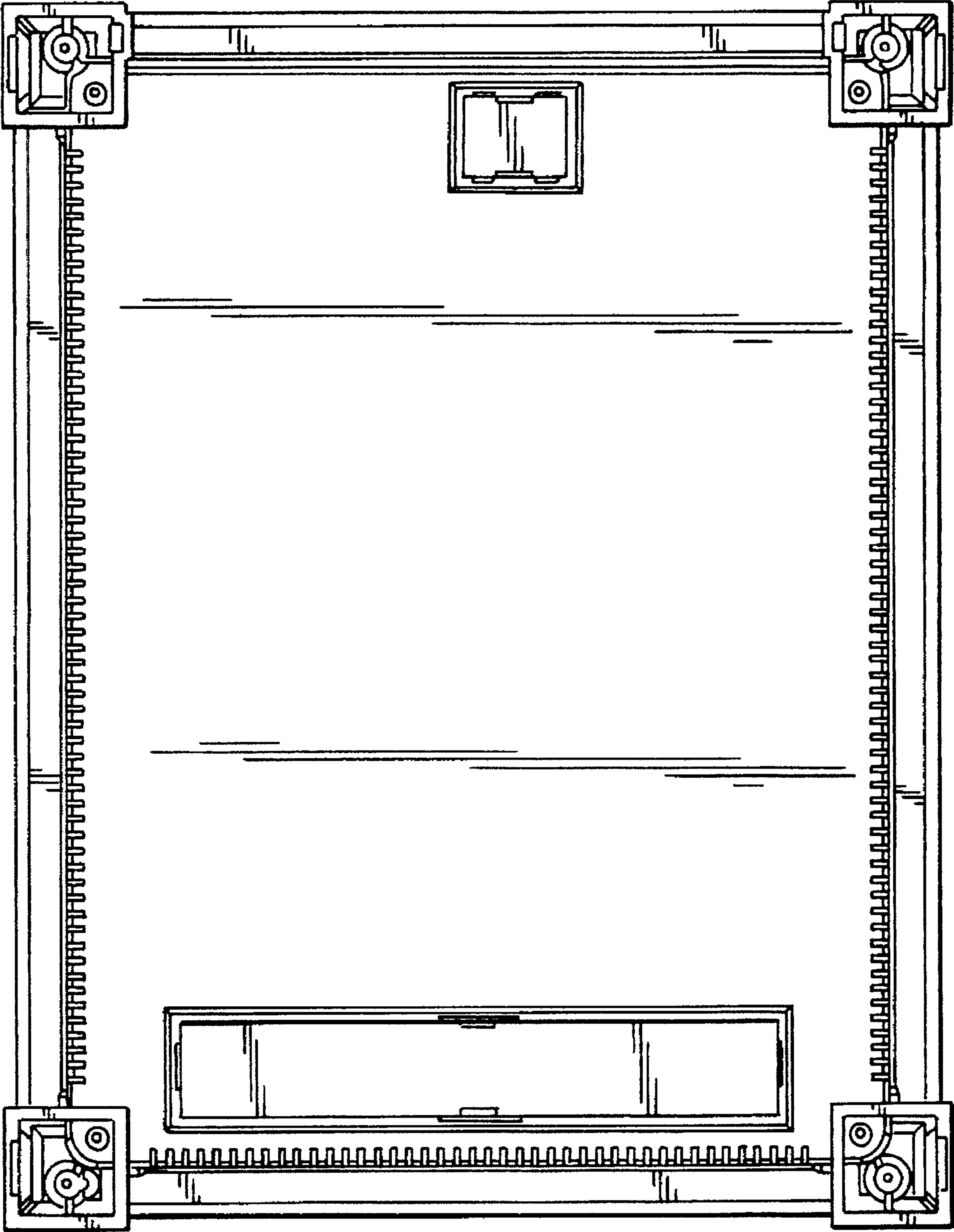


FIG. 6

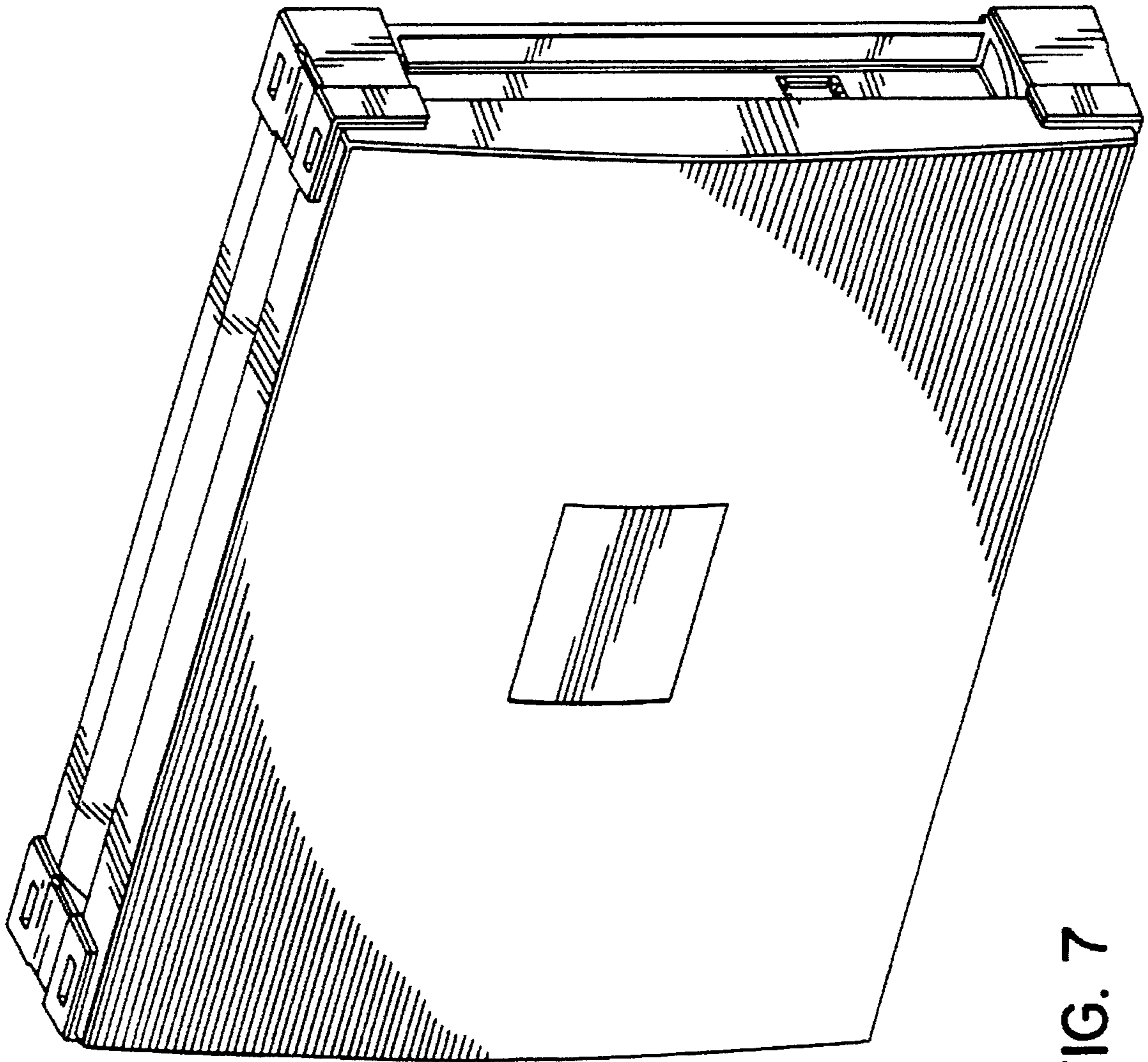


FIG. 7

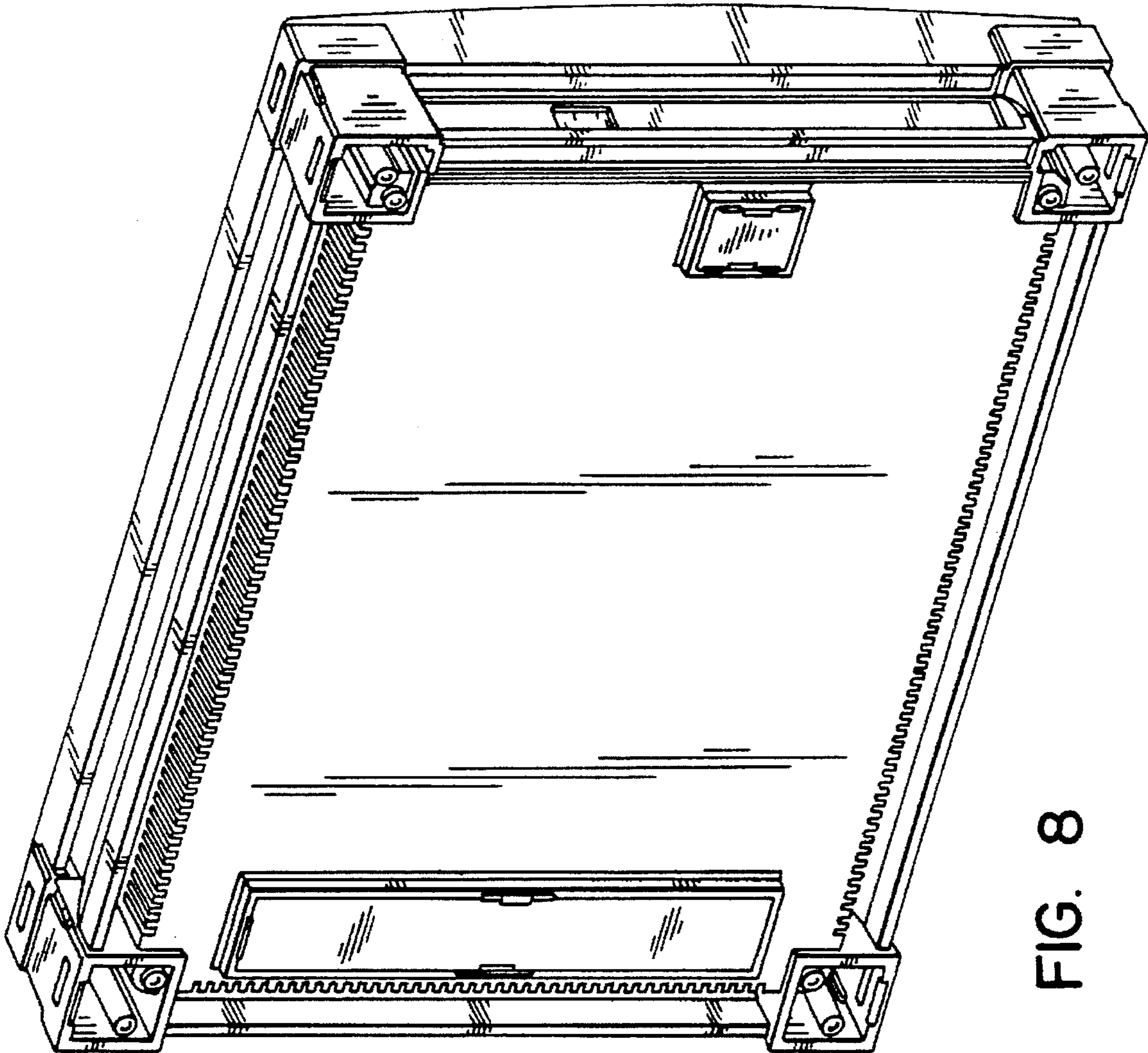


FIG. 8

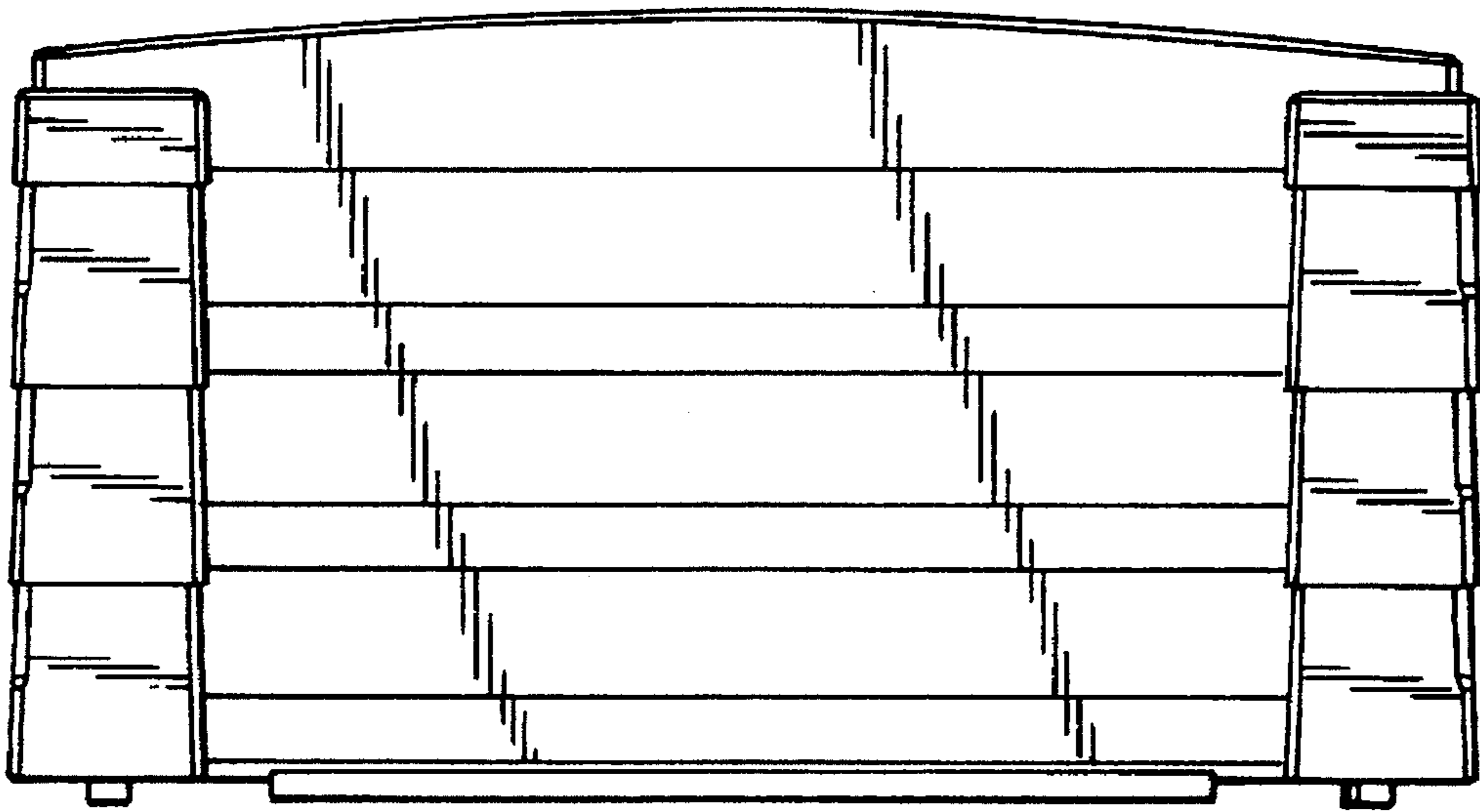


FIG. 9

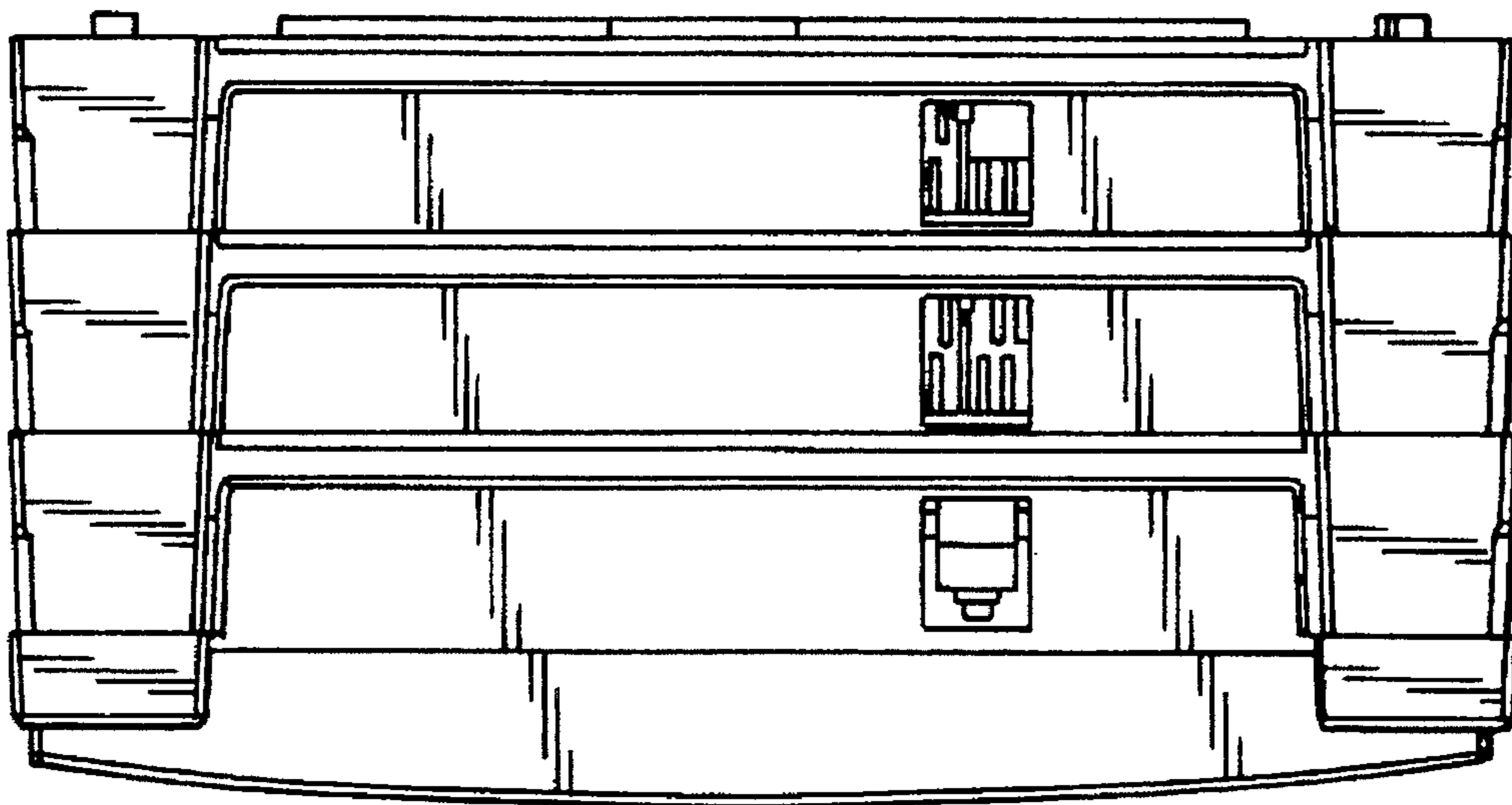


FIG. 10

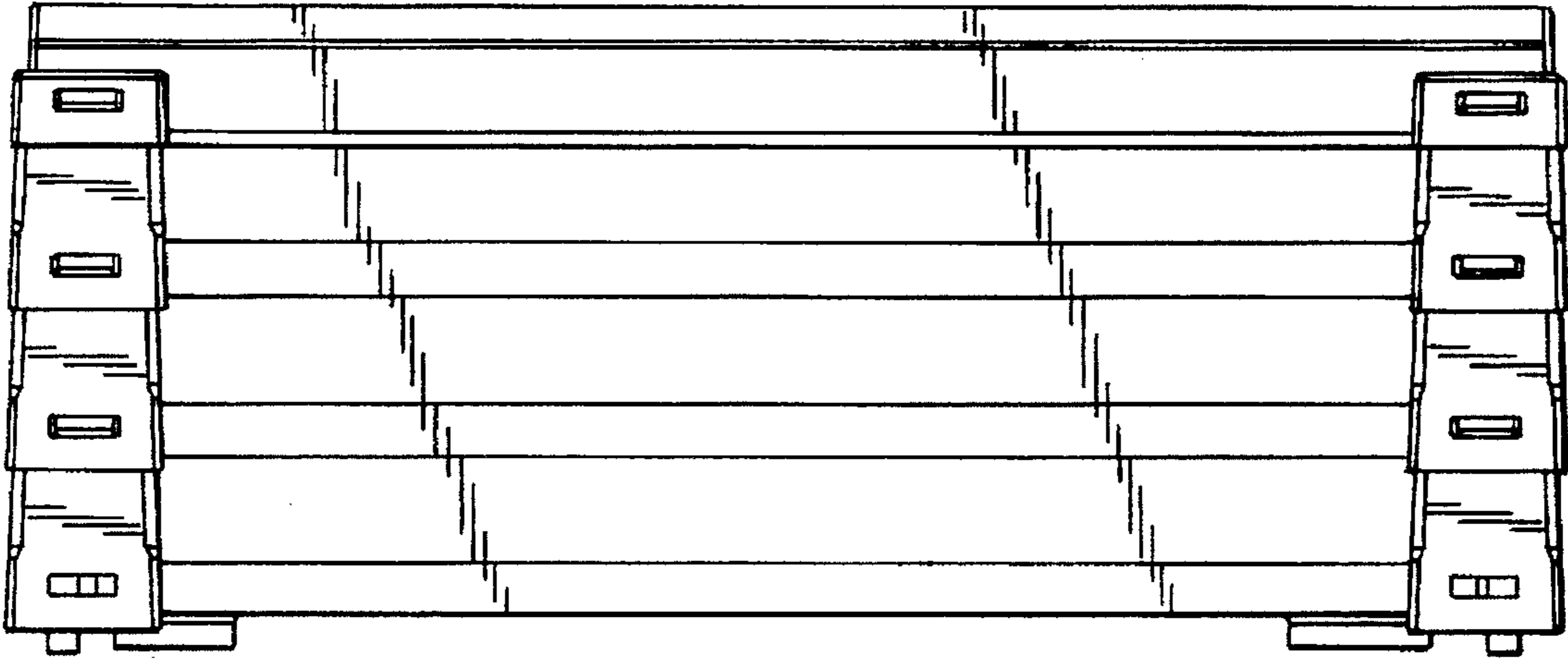


FIG. 11

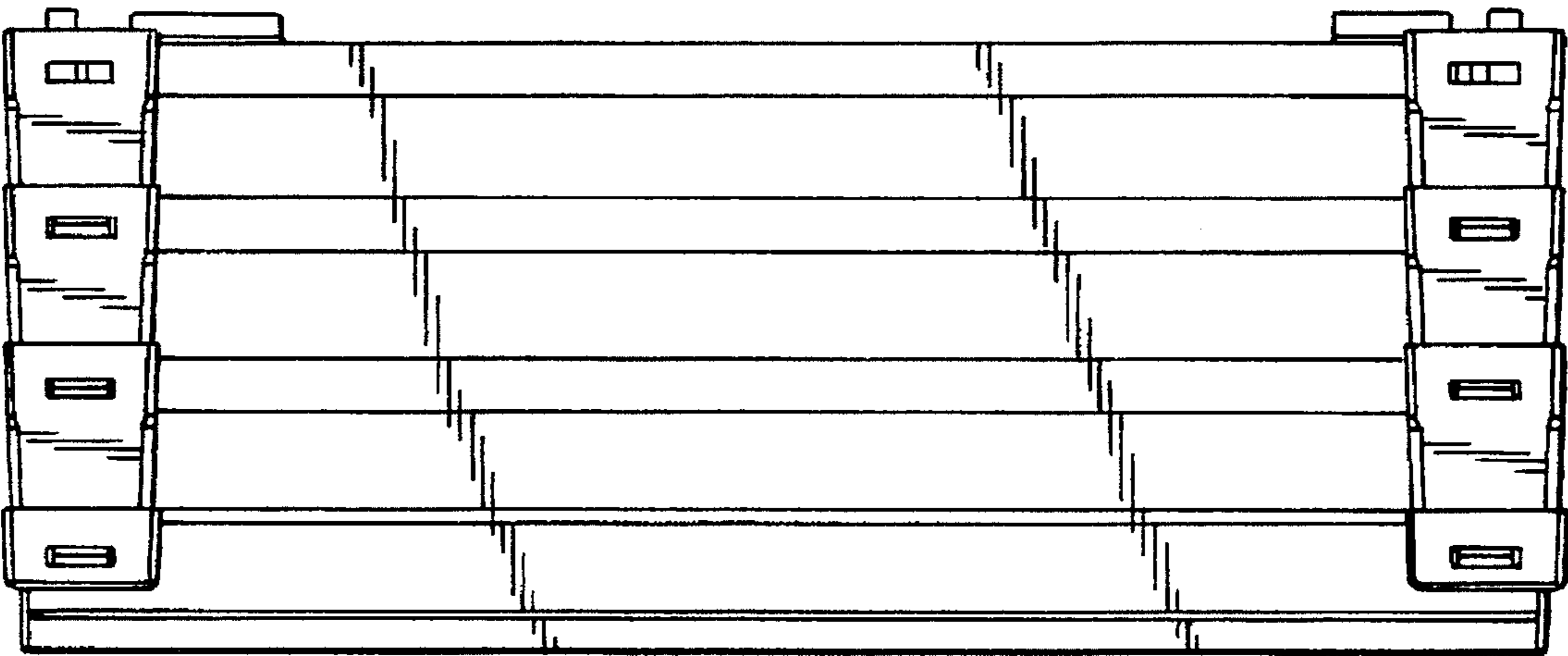


FIG. 12

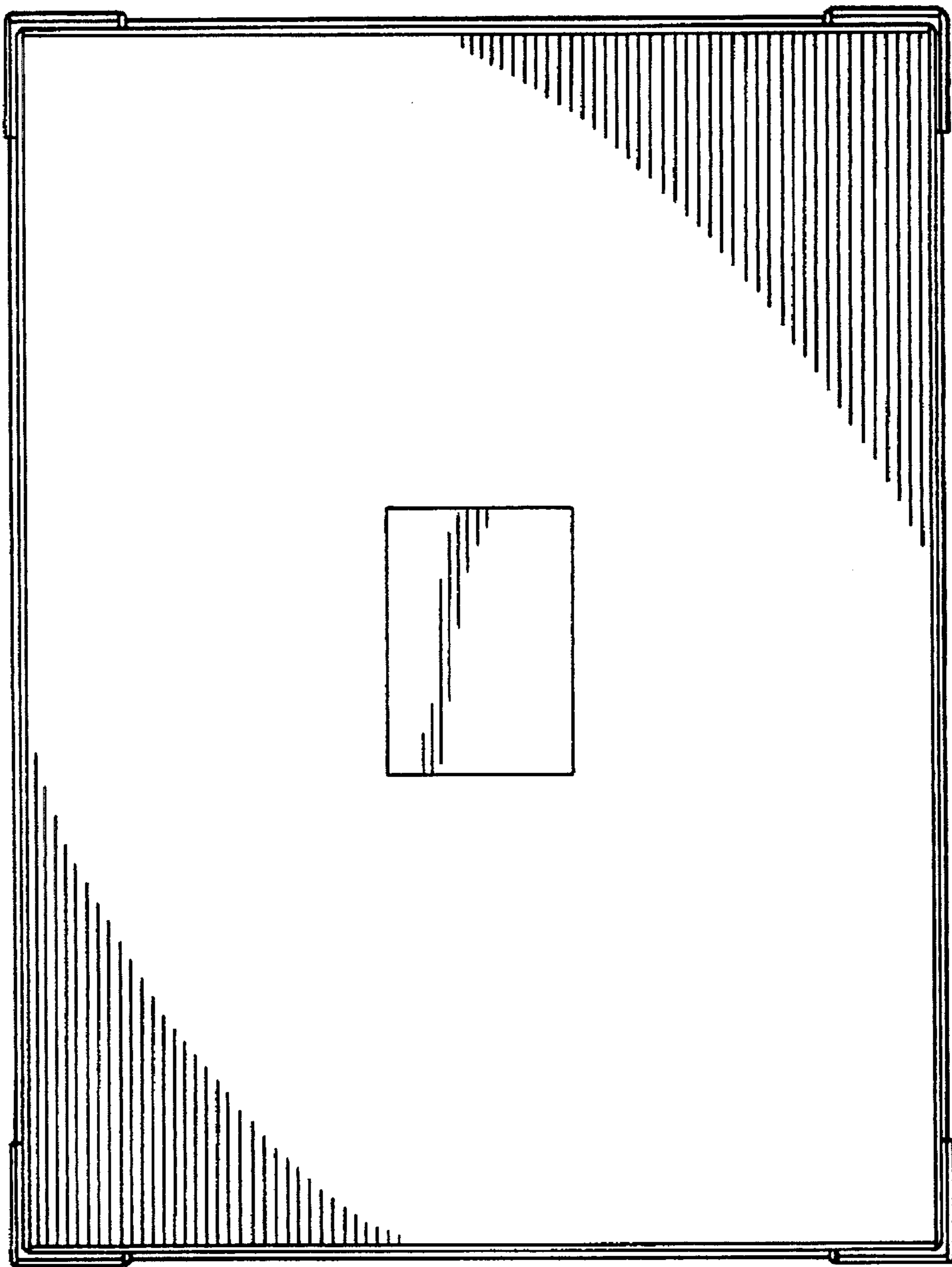


FIG. 13

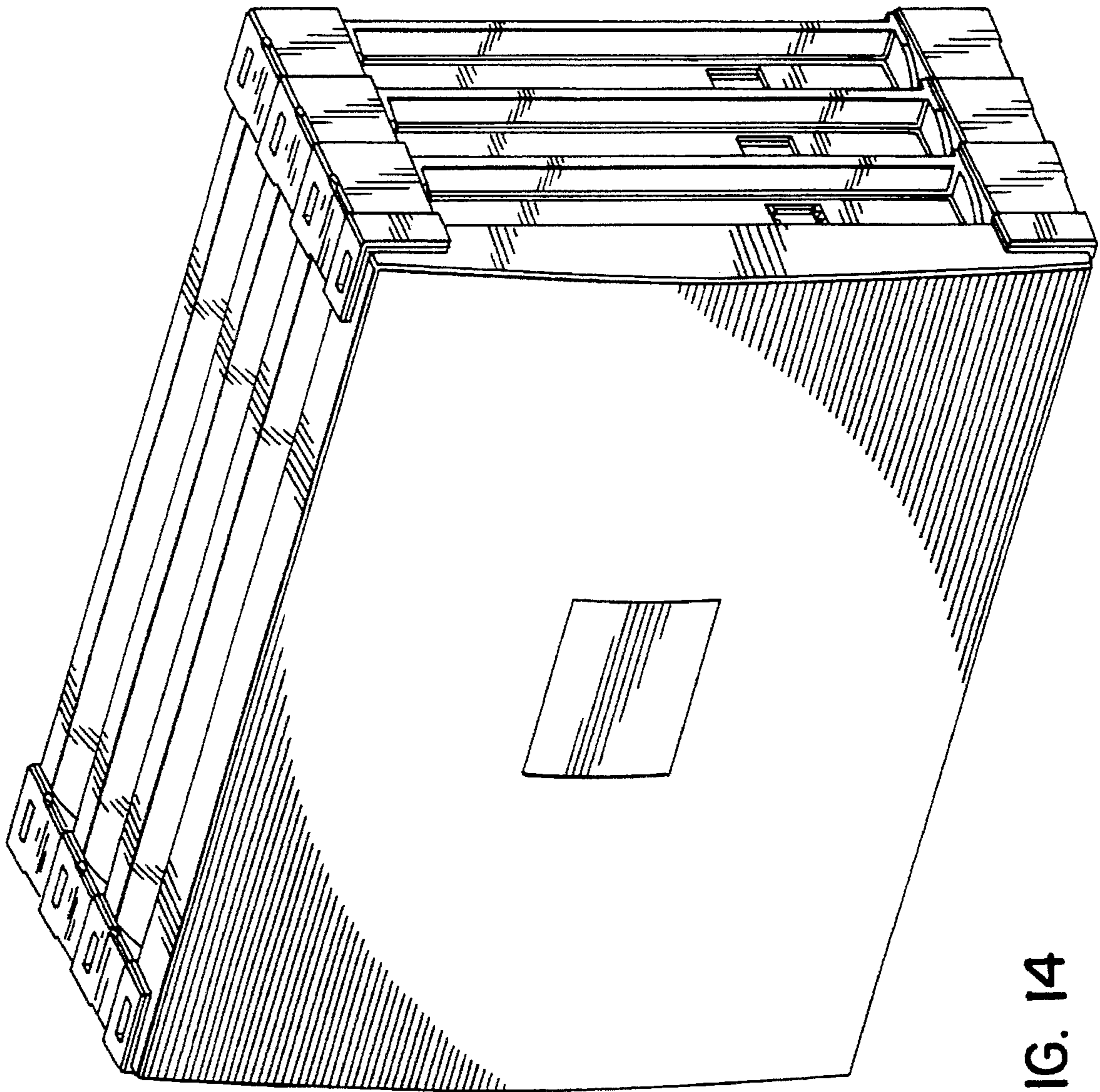


FIG. 14

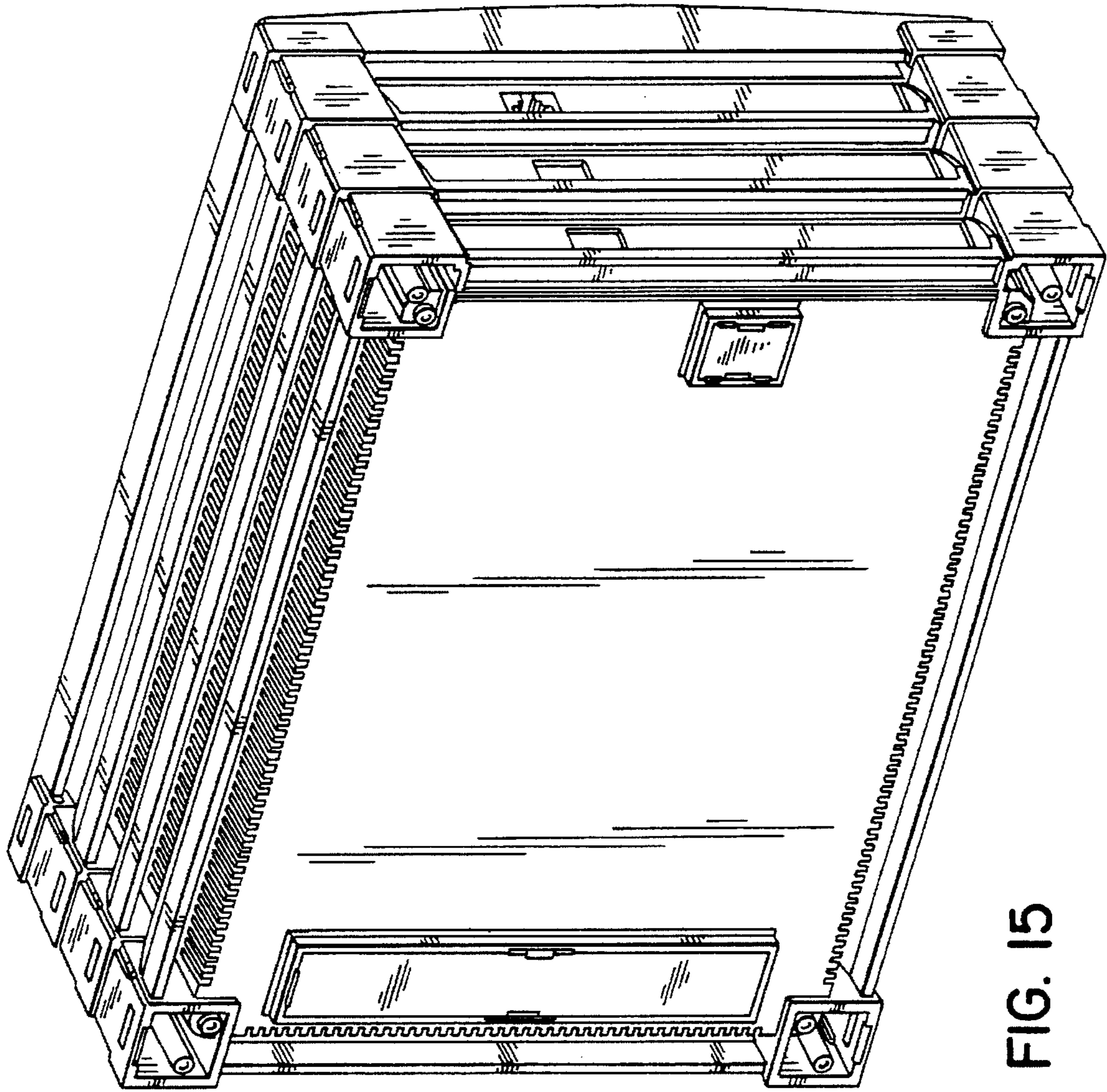


FIG. 15