



US00D381318S

# United States Patent [19]

Sharp et al.

[11] Patent Number: **Des. 381,318**

[45] Date of Patent: **\*\*Jul. 22, 1997**

[54] **DATA STORAGE UNIT FOR A DATA PROCESSING SYSTEM**

[75] Inventors: **Michael Horton Sharp**, Johnstone, Scotland; **Wayne Lowell Aderman**, Zumbro Falls, Minn.

[73] Assignee: **International Business Machines Corporation**, Armonk, N.Y.

[\*\*] Term: **14 Years**

[21] Appl. No.: **38,557**

[22] Filed: **May 8, 1995**

[30] **Foreign Application Priority Data**

Nov. 9, 1994 [GB] United Kingdom ..... 2043155

[51] **LOC (6) Cl.** ..... **14-02**

[52] **U.S. Cl.** ..... **D14/100; D14/109**

[58] **Field of Search** ..... D14/100, 102, D14/107-109; D13/162, 184, 199; D6/432, 436, 445, 448; 312/208.1, 223.2, 223.3; 360/97.01, 98.01; 361/694

[56] **References Cited**

**U.S. PATENT DOCUMENTS**

- D. 349,488 8/1994 Aderman et al. .... D14/109
- D. 360,405 7/1995 Hill et al. .... D14/100

- D. 360,409 7/1995 Alo, Jr. et al. .... D14/102
- D. 361,553 8/1995 Hill et al. .... D13/110
- D. 362,238 9/1995 Alo, Jr. et al. .... D14/102
- D. 366,249 1/1996 Hill et al. .... D14/100
- D. 366,462 1/1996 Hill et al. .... D14/100
- D. 366,648 1/1996 Hill et al. .... D14/100
- D. 366,651 1/1996 Hill et al. .... D14/107

**OTHER PUBLICATIONS**

IBM RISC System/6000-J 30, 1994.

*Primary Examiner*—Freda Nunn

*Attorney, Agent, or Firm*—Matthew J. Bussan

[57] **CLAIM**

The ornamental design for a data storage unit for a data processing system, as shown and described.

**DESCRIPTION**

FIG. 1 is a top, front, left side isometric view of a data storage unit for a data processing system, showing our new design;

FIG. 2 is a top, rear, right side isometric view thereof;

FIG. 3 is a front elevation view thereof;

FIG. 4 is a rear elevation view thereof;

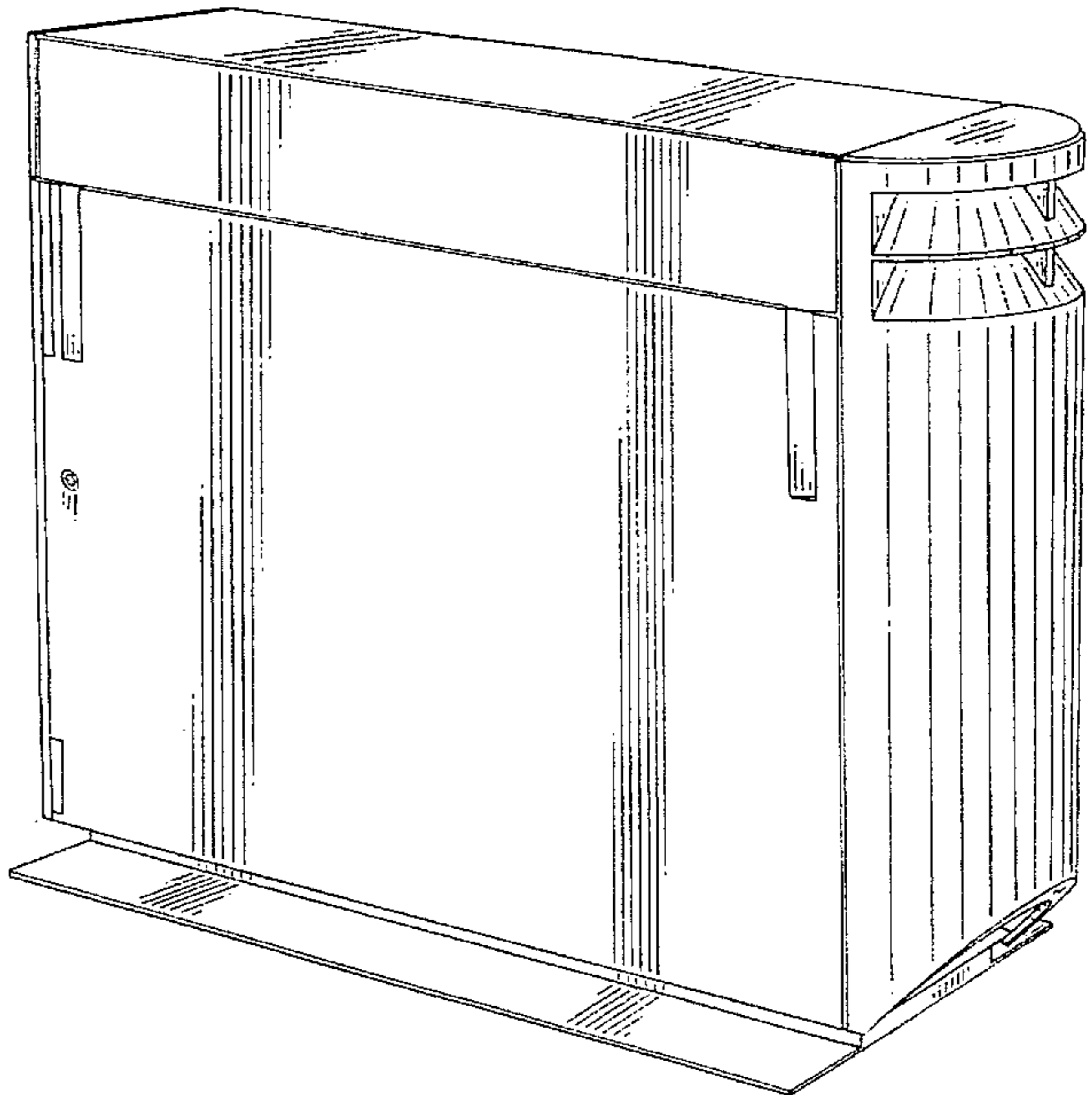
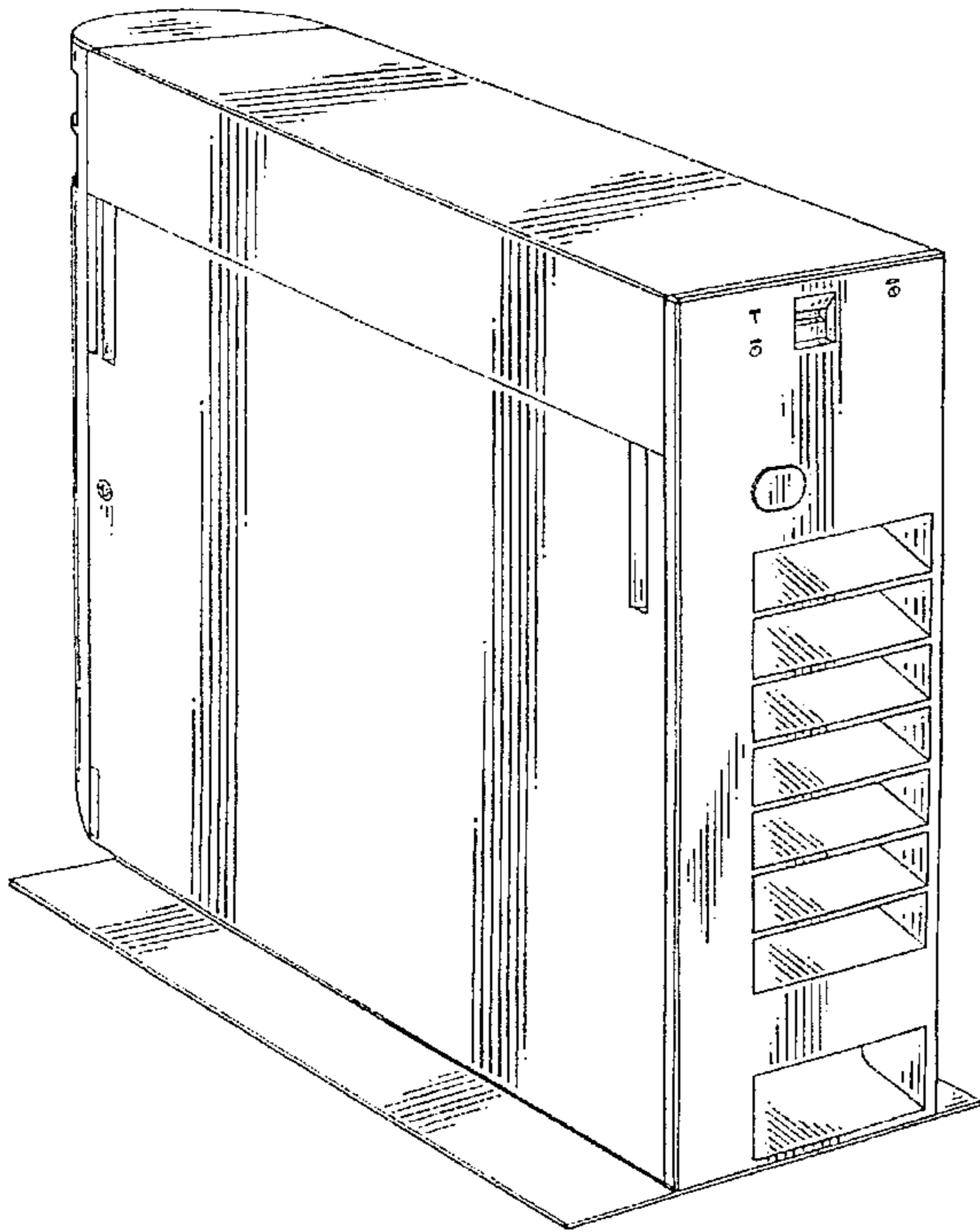
FIG. 5 is a left side elevation view thereof;

FIG. 6 is a right side elevation view thereof;

FIG. 7 is a top plan view thereof; and,

FIG. 8 is a bottom plan view thereof.

**1 Claim, 8 Drawing Sheets**



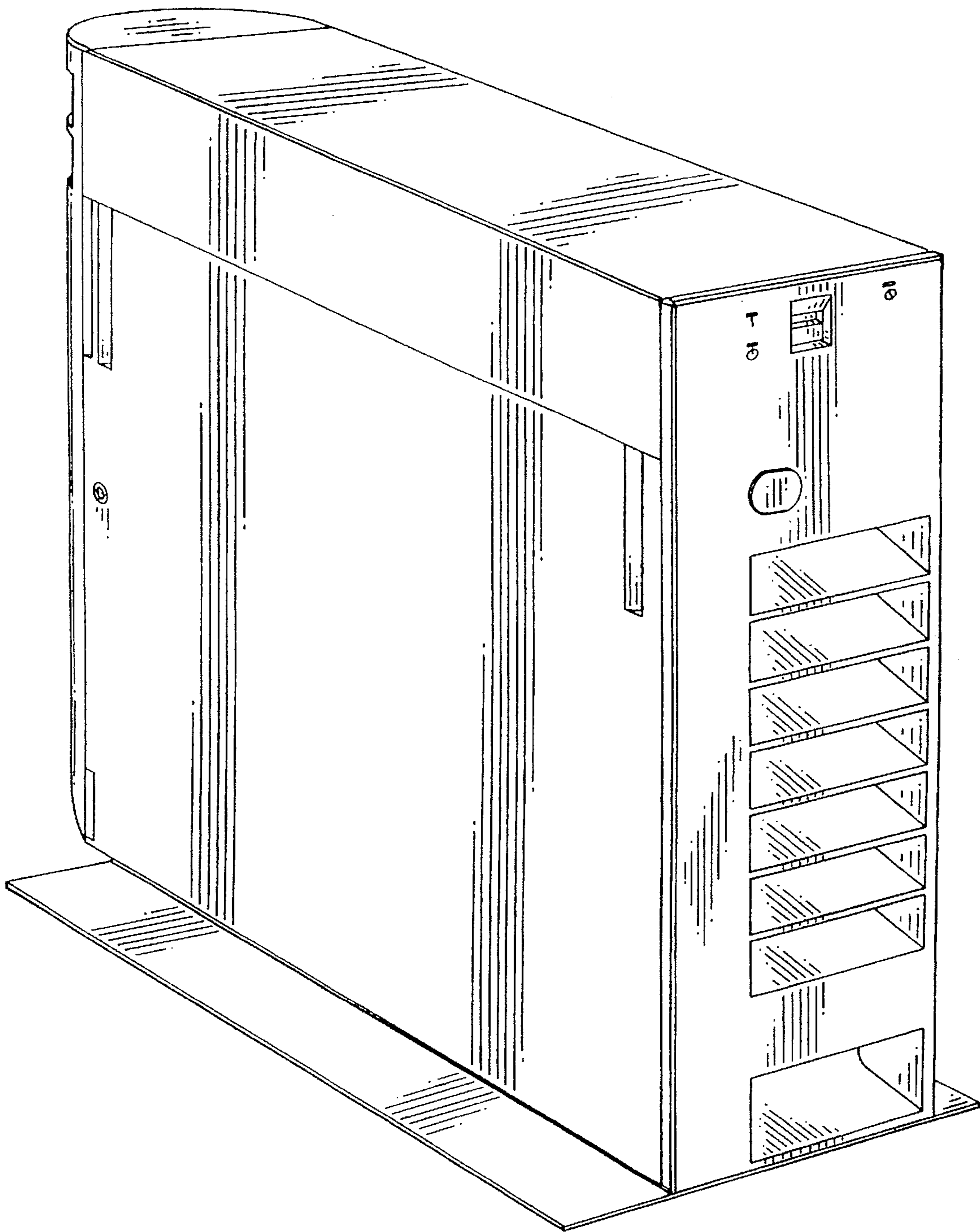


FIG. 1

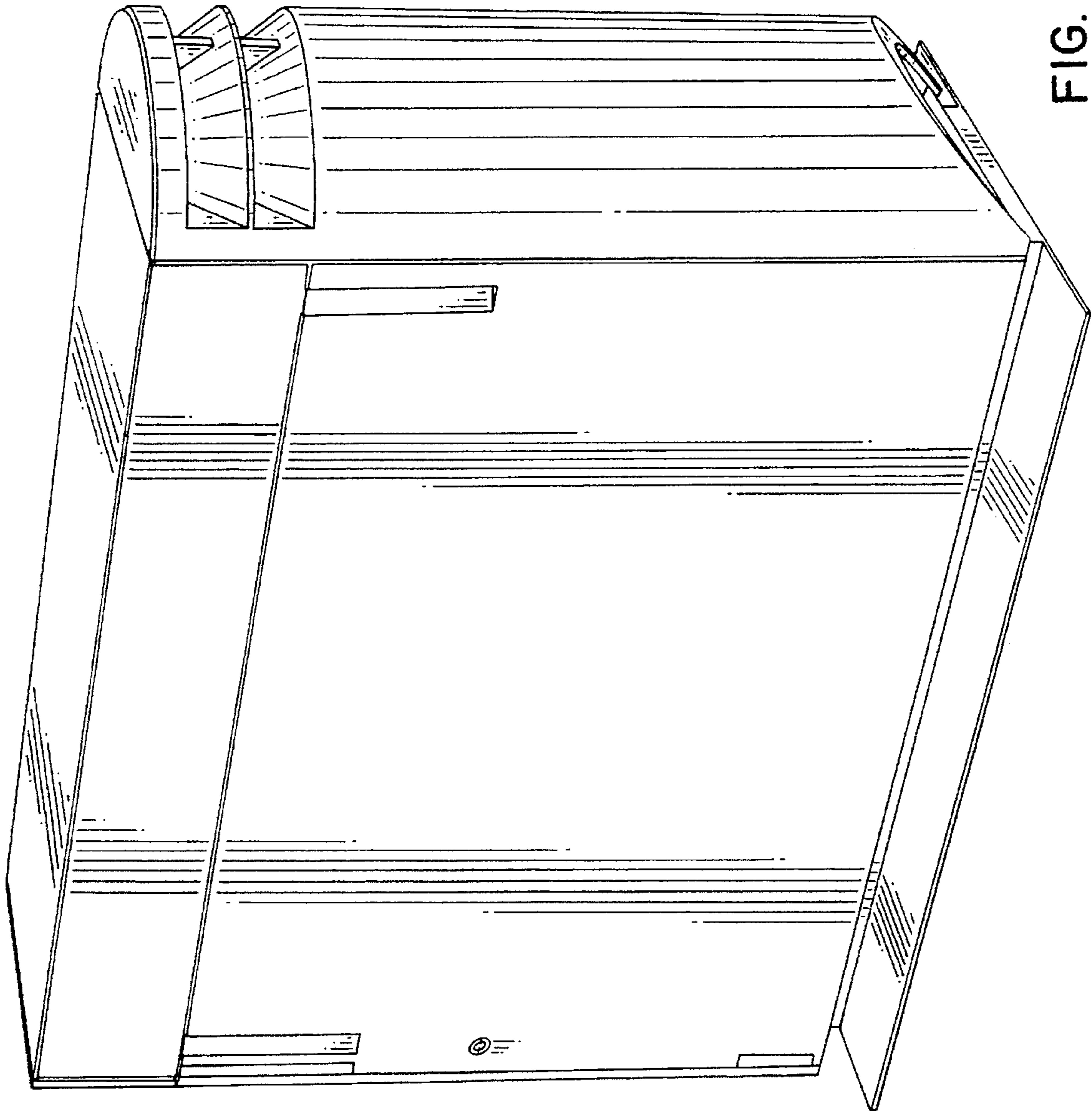


FIG. 2

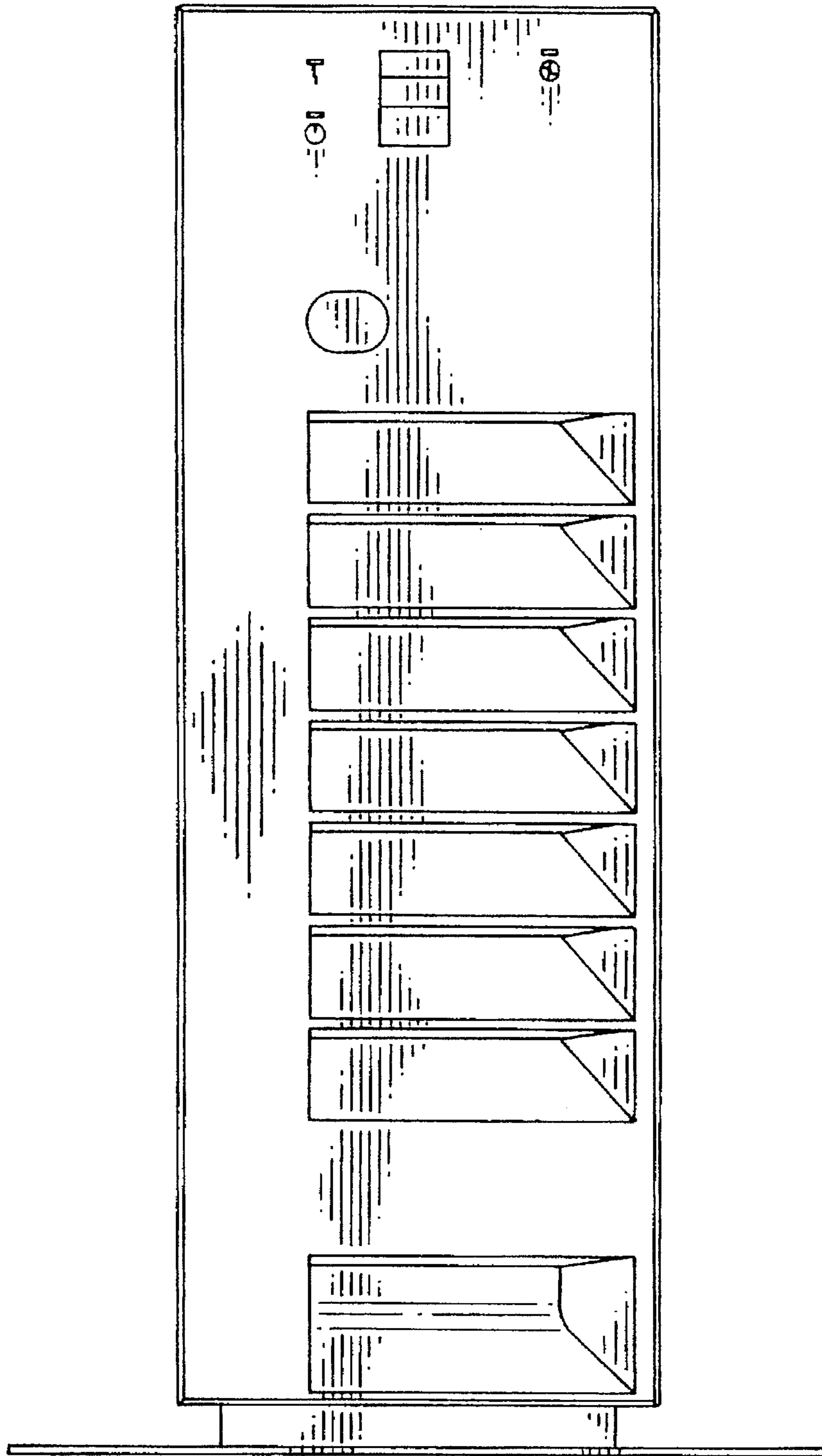


FIG. 3

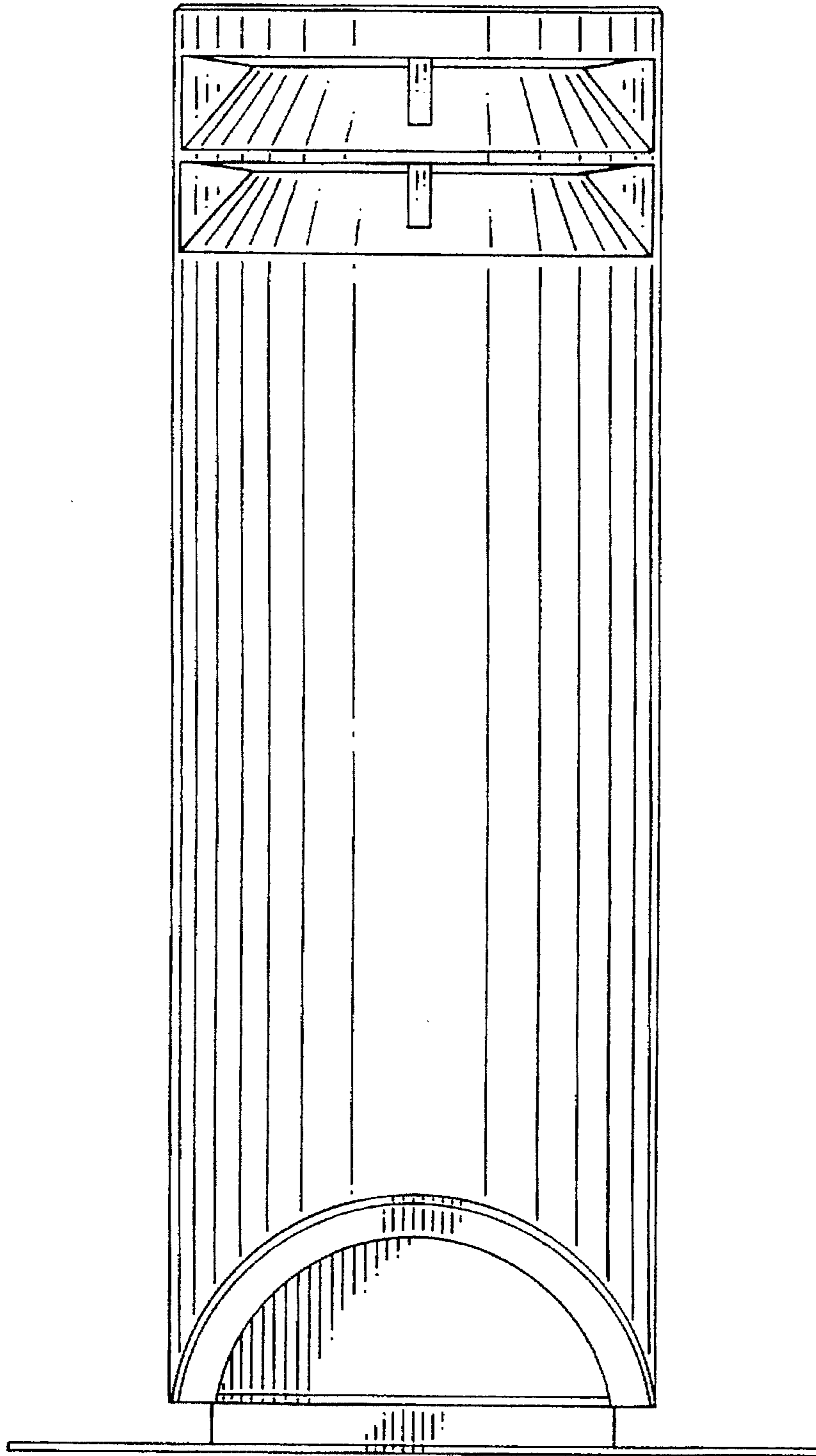


FIG. 4

FIG. 5

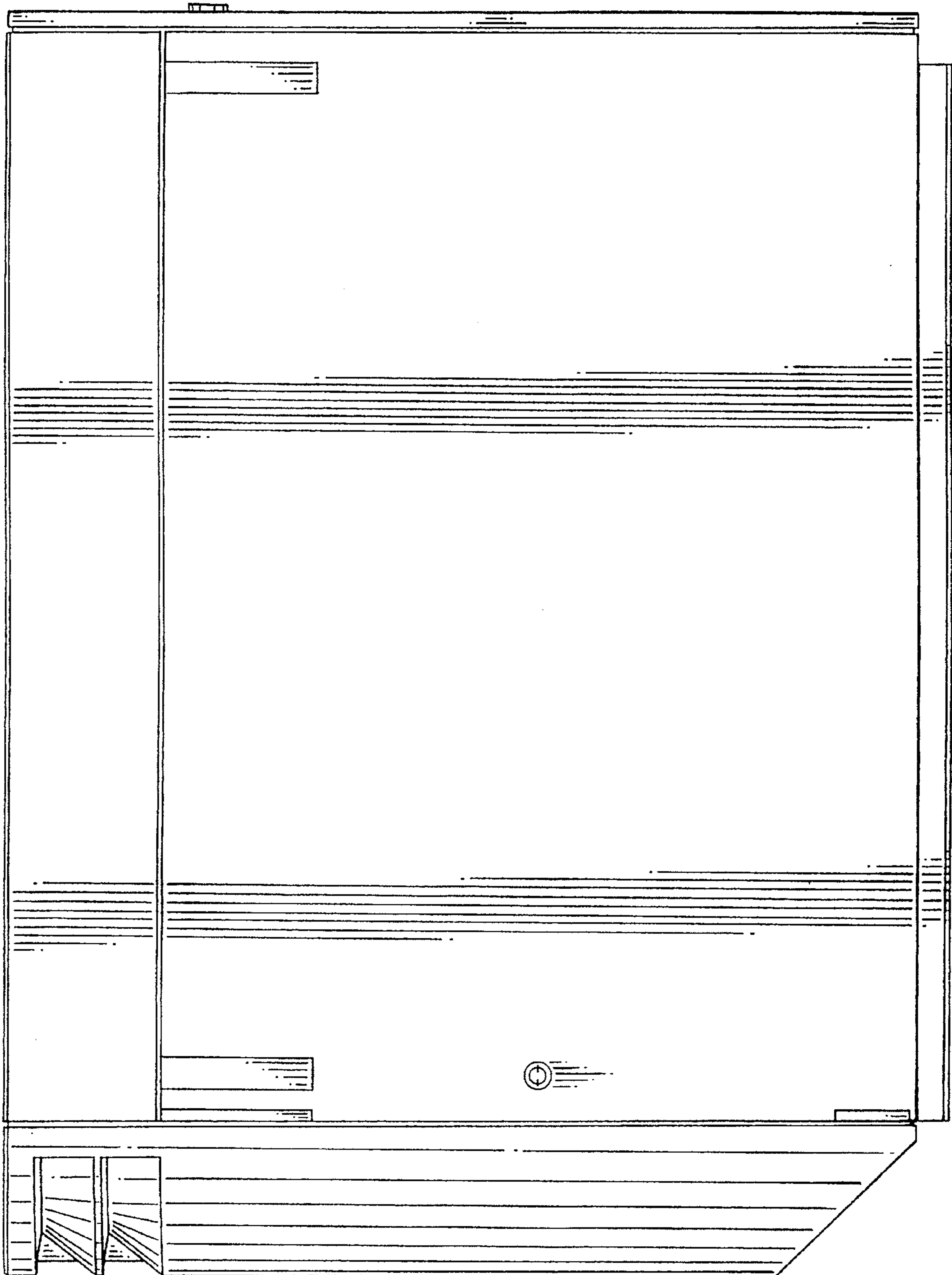
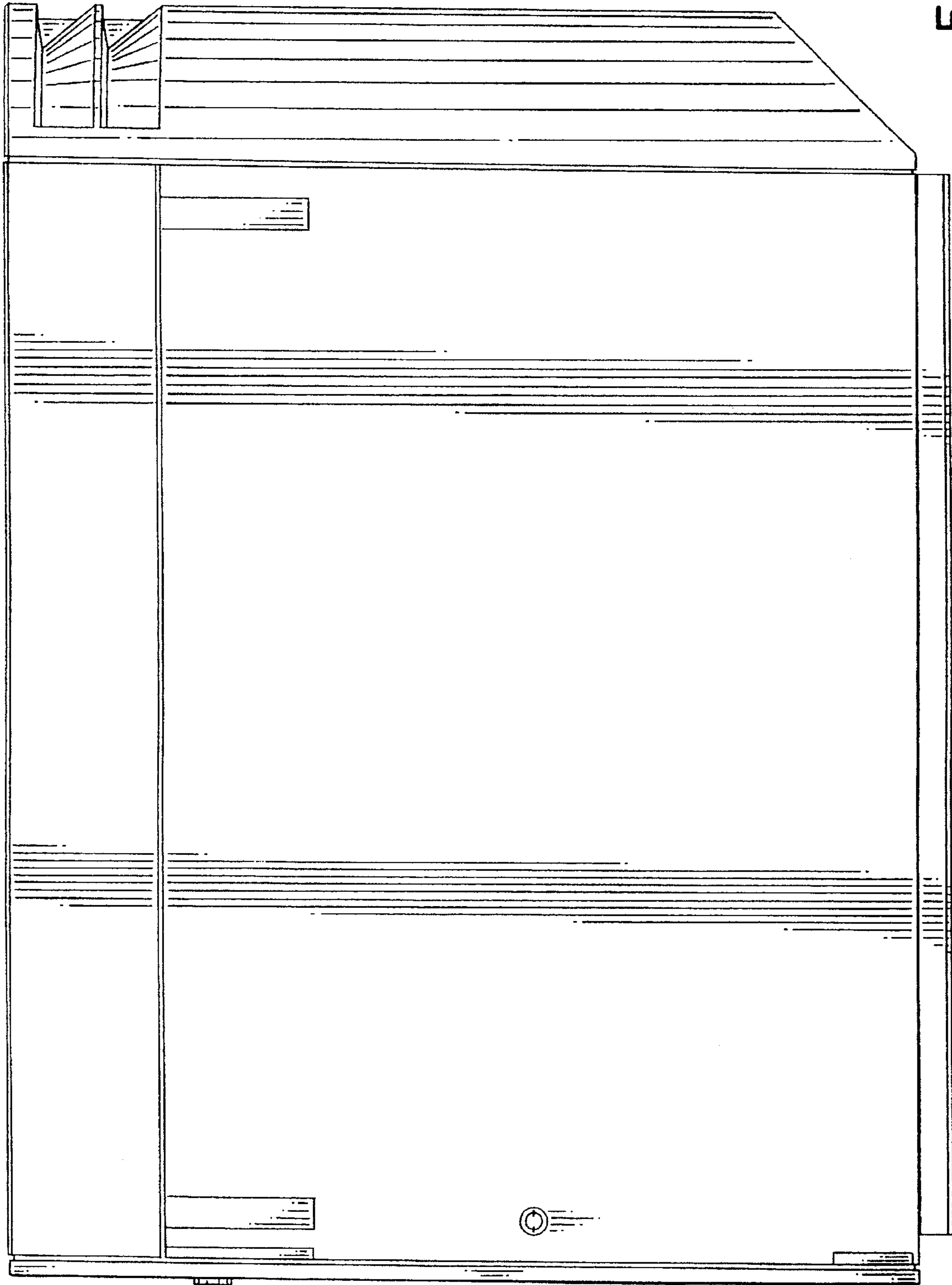


FIG. 6



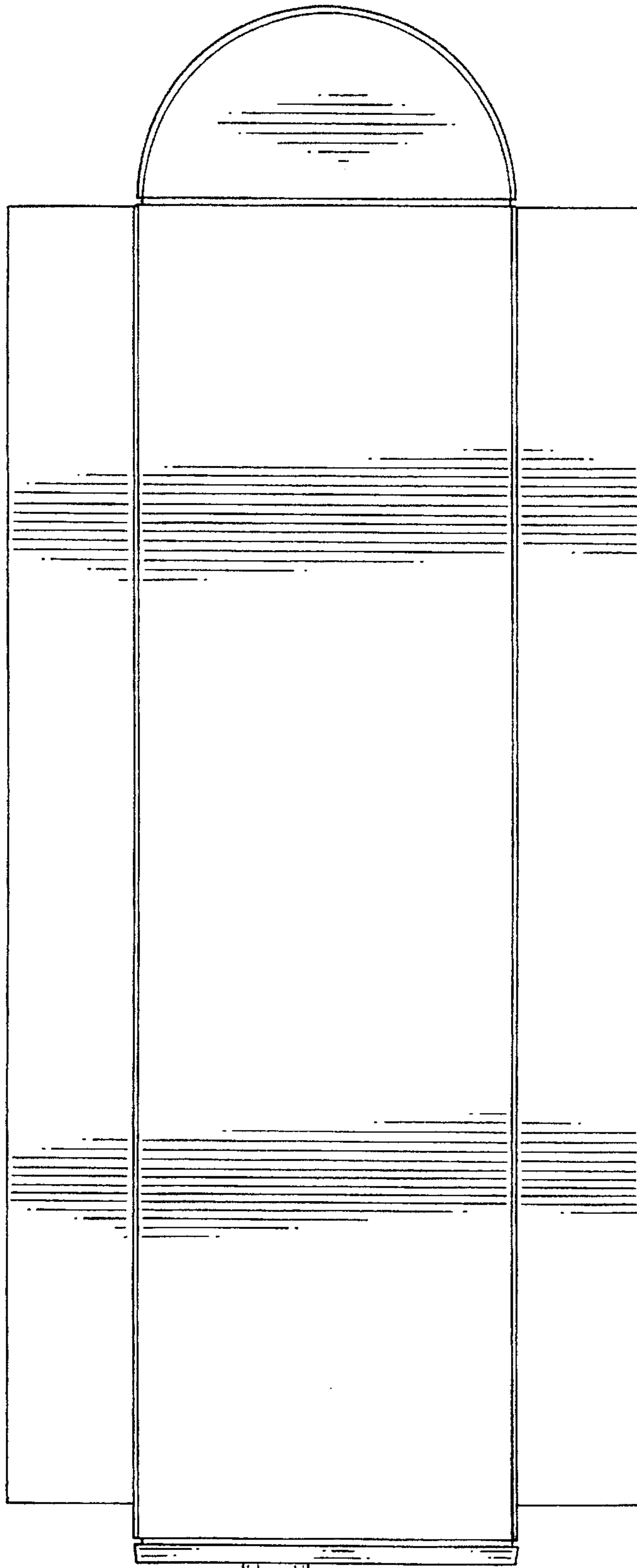


FIG. 7



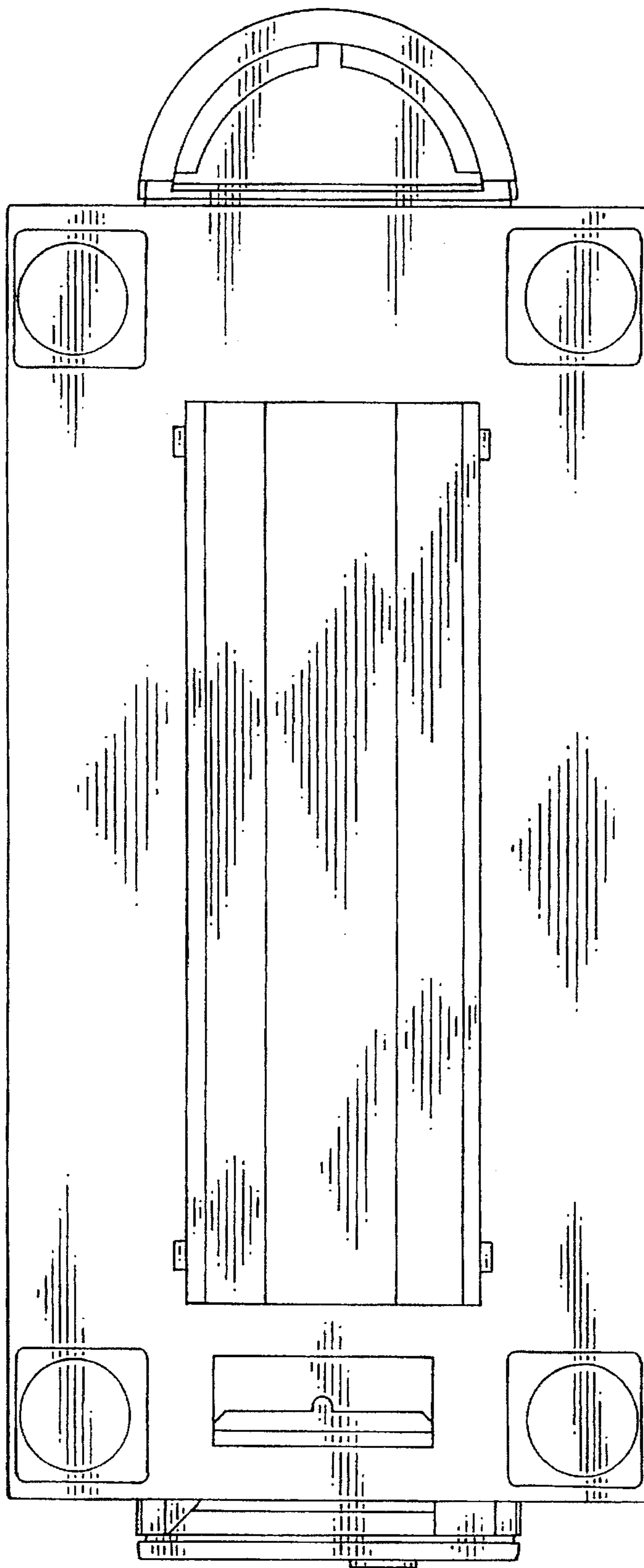


FIG. 8