



US00D381315S

United States Patent [19]
Harold

[11] **Patent Number:** **Des. 381,315**

[45] **Date of Patent:** ****Jul. 22, 1997**

[54] **CHRISTMAS TREE LIGHTING RING**

[75] **Inventor:** **Vaughan Harold**, Independence, Mo.

[73] **Assignee:** **Christmas Tree Lighting Ring, Inc.**,
Kansas City, Mo.

[**] **Term:** **14 Years**

[21] **Appl. No.:** **42,490**

[22] **Filed:** **Aug. 11, 1995**

[51] **LOC (6) Cl.** **13-03**

[52] **U.S. Cl.** **D13/142**

[58] **Field of Search** **D13/137, 140,**
D13/142, 160; 439/650, 651, 652, 653

[56] **References Cited**

U.S. PATENT DOCUMENTS

2,277,532 3/1942 Smith, Jr. 439/650
3,019,357 1/1962 Zaffina 439/650 X

Primary Examiner—Joel Sincavage
Attorney, Agent, or Firm—Hovey, Williams, Timmons &
Collins

[57] **CLAIM**

The ornamental design for a Christmas tree lighting ring, as shown and described.

DESCRIPTION

FIG. 1 is a top plan view the power cord is shown broken away to indicate an indeterminate;

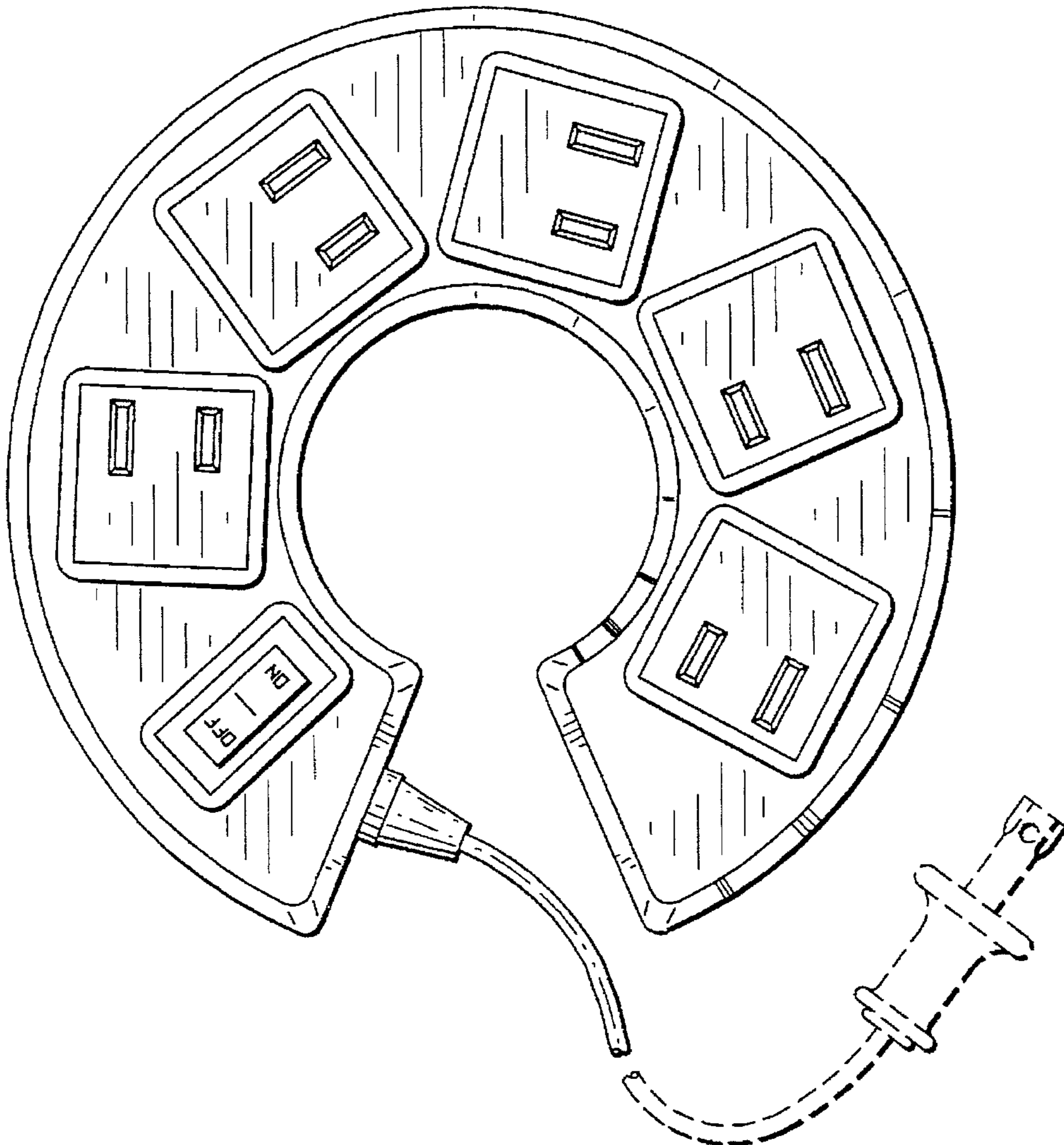
FIG. 2 is a bottom plan view the power cord is shown broken away to indicate an indeterminate;

FIG. 3 is a front elevational view; and,

FIG. 4 is a rear elevational view.

The broken line showing of the cord and plug in FIGS. 1-3 is included for the purpose of illustrating environmental structure only and forms no part of the claimed design.

1 Claim, 1 Drawing Sheet



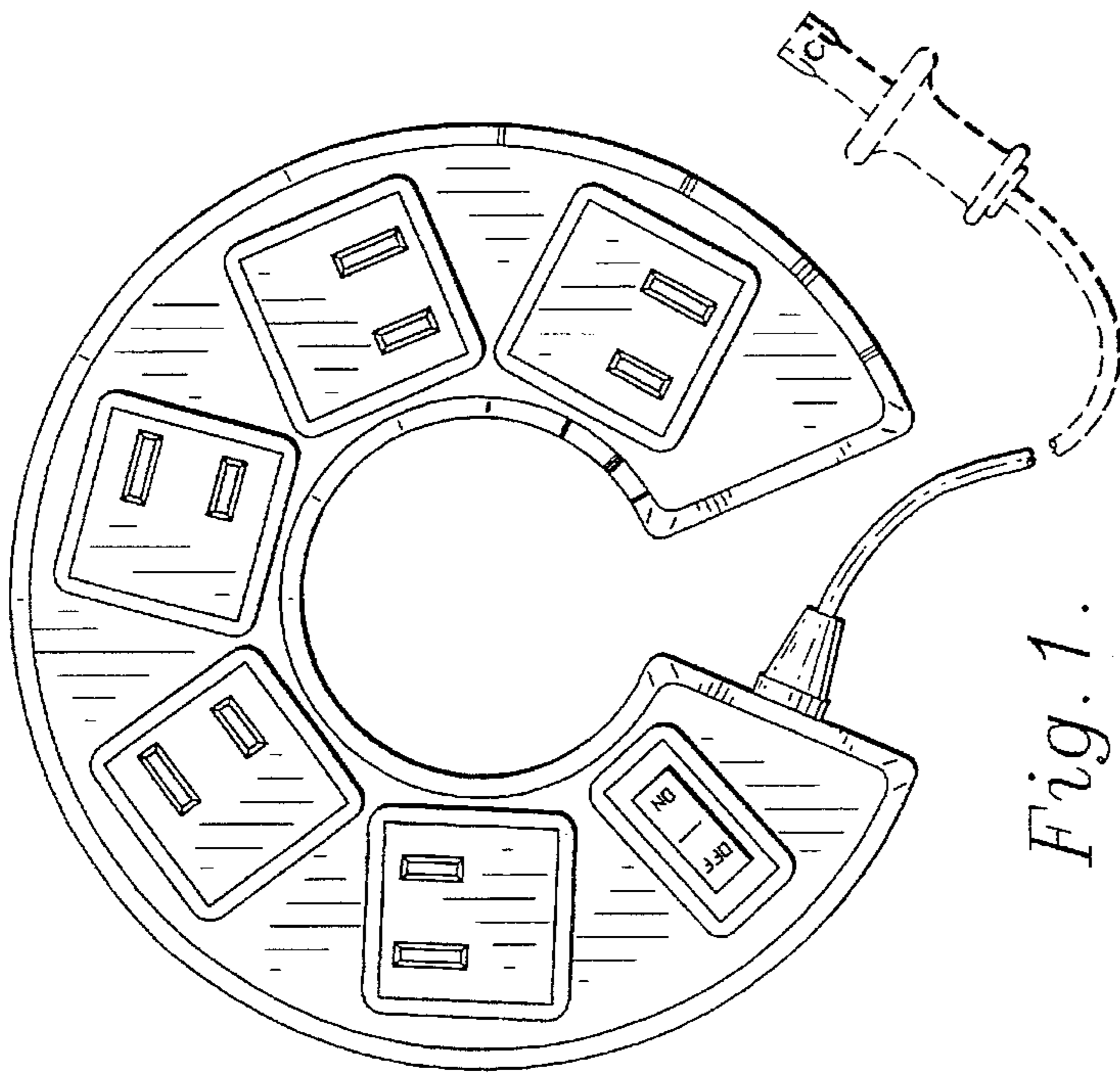


Fig. 1.

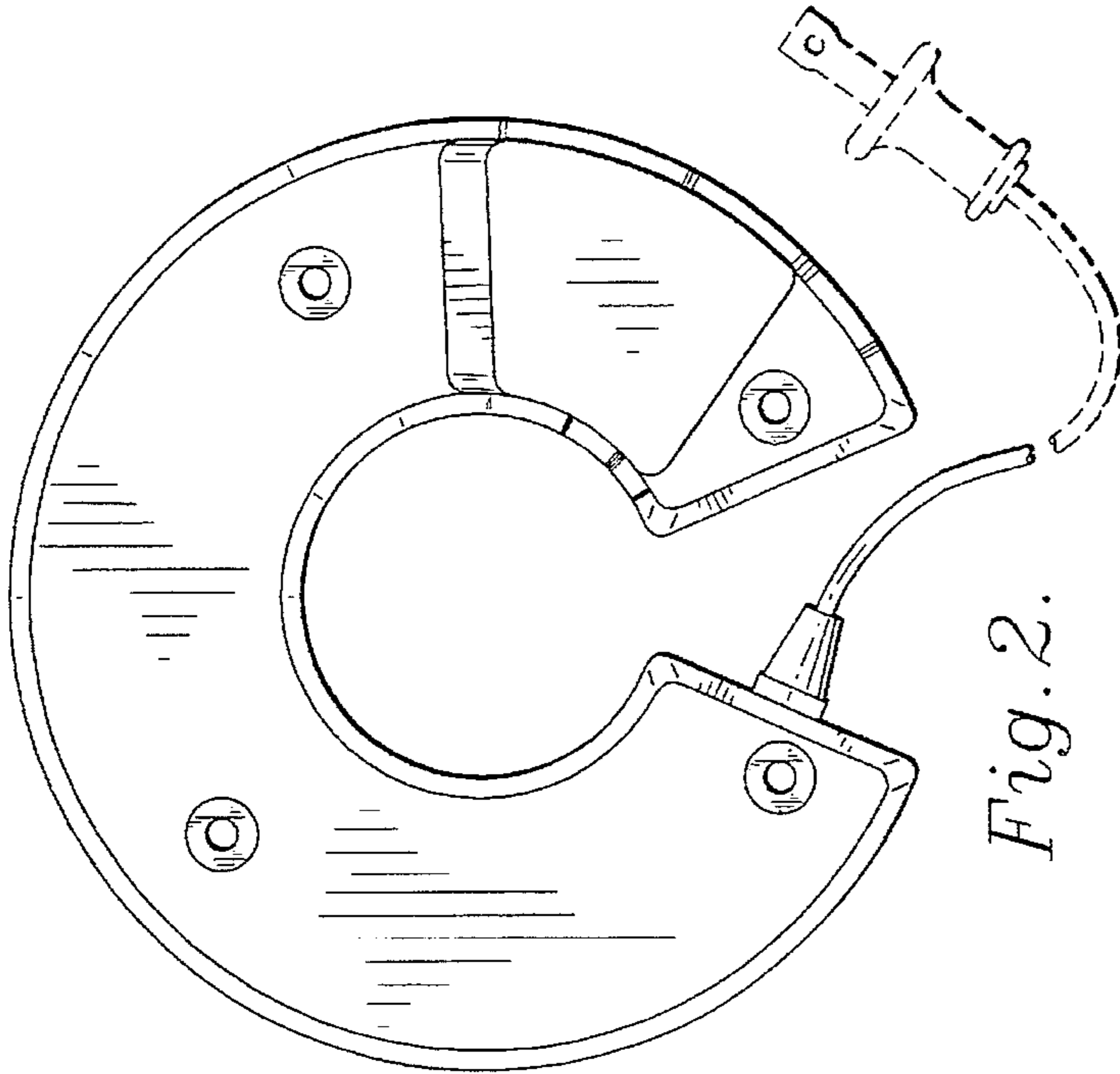


Fig. 2.

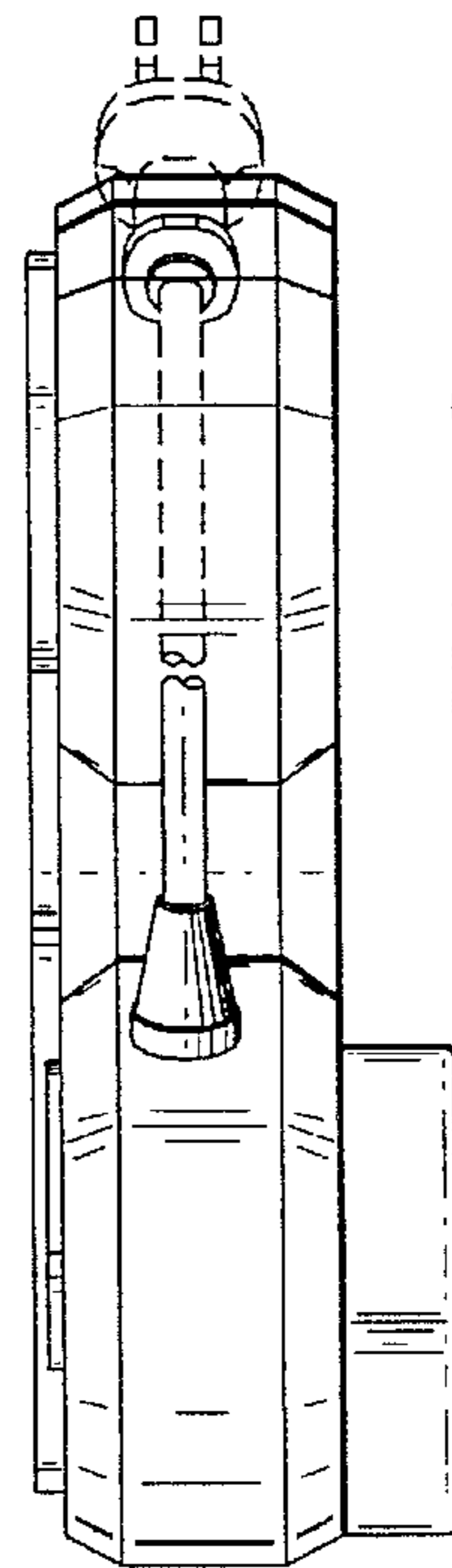


Fig. 3.

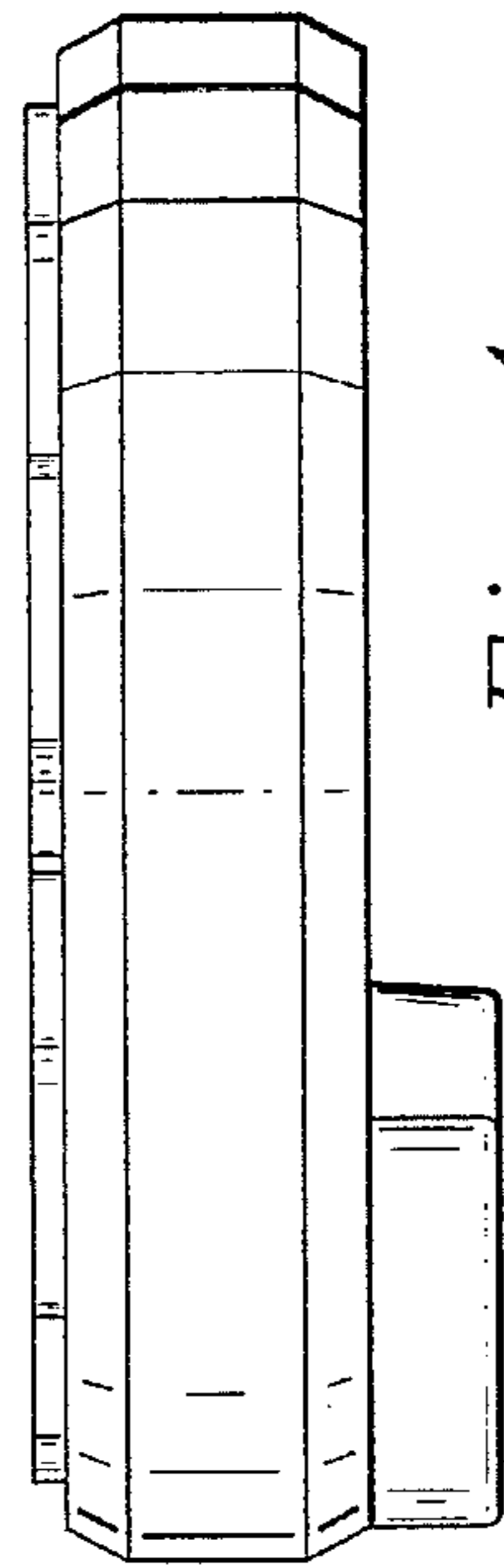


Fig. 4.