



US00D381314S

**United States Patent** [19]  
**Hahn**

[11] **Patent Number: Des. 381,314**

[45] **Date of Patent: \*\*Jul. 22, 1997**

[54] **INTERCHANGEABLE PLUG DEVICE**

[75] **Inventor: Stan S. Hahn, Moraga, Calif.**

[73] **Assignee: Asian Micro Sources, Inc., Moraga, Calif.**

[\*\*] **Term: 14 Years**

[21] **Appl. No.: 44,048**

[22] **Filed: Sep. 15, 1995**

[51] **LOC (6) Cl. .... 13-03**

[52] **U.S. Cl. .... D13/138; D13/133**

[58] **Field of Search .... D13/133, 138, D13/143, 146; 439/171, 172, 173, 221**

[56] **References Cited**

**U.S. PATENT DOCUMENTS**

D. 292,700	11/1987	Rauch	.....	D13/139
1,485,193	2/1924	McKay	.....	439/131 OR
1,742,850	1/1930	Douglas	.....	439/314 OR
2,490,580	12/1949	Colla, Jr.	.....	439/131 X
2,538,296	1/1951	Crocker	.....	439/131 X
4,191,917	3/1980	Brown et al.	.....	439/173 X
4,518,212	5/1985	Rumble	.....	439/221 X
4,543,624	9/1985	Rumble	.....	439/173 X
4,571,717	2/1986	Reichel et al.	.....	369/256
4,626,052	12/1986	Rumble	.....	439/173 OR
4,743,829	5/1988	Fenne et al.	.....	439/131 X
4,776,814	10/1988	Geurts	.....	439/694
4,815,983	3/1989	Erickson et al.	.....	439/173
4,911,649	3/1990	Helmich, Jr.	.....	439/172 X
4,973,827	11/1990	Nozaki	.....	439/173 X
4,997,381	3/1991	Oh	.....	439/131 X
5,106,317	4/1992	Taylor	.....	439/173
5,159,545	10/1992	Lee	.....	439/173 X
5,213,516	5/1993	Okamoto	.....	439/171 X
5,324,214	6/1994	De Castro	.....	439/621

**FOREIGN PATENT DOCUMENTS**

7600749	8/1976	Netherlands	.....	439/221
---------	--------	-------------	-------	---------

*Primary Examiner*—Joel Sincavage

*Attorney, Agent, or Firm*—Adam H. Tachner; Crosby, Heafey, Roach & May

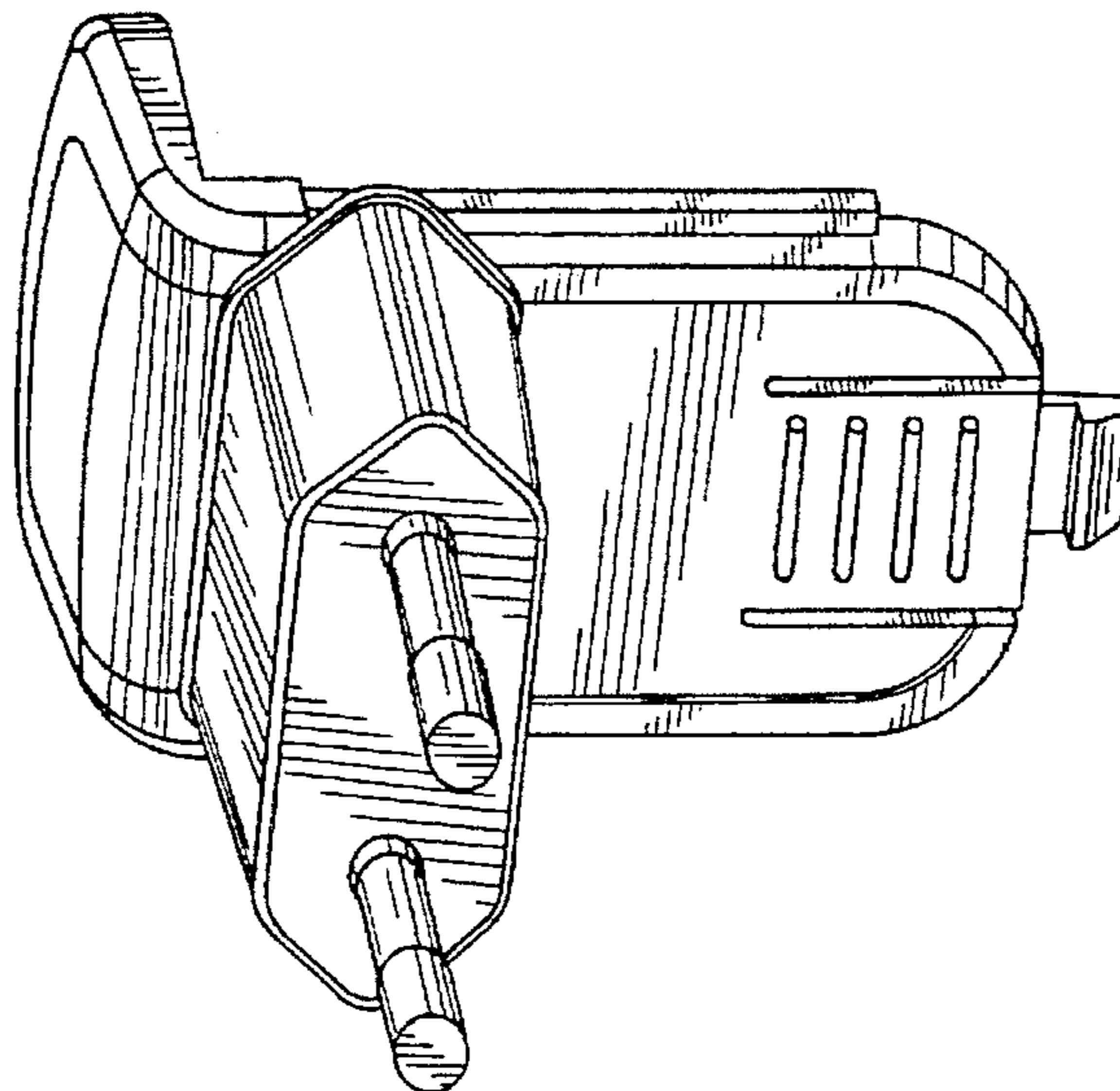
[57] **CLAIM**

The ornamental design for an interchangeable plug device, as shown and described.

**DESCRIPTION**

FIG. 1 is a top view of a first embodiment of the present invention;  
 FIG. 2 is a bottom view of a first embodiment of the present invention;  
 FIG. 3 is a front view of a first embodiment of the present invention;  
 FIG. 4 is a rear view of a first embodiment of the present invention;  
 FIG. 5 is a first side view of a first embodiment of the present invention;  
 FIG. 6 is a second side view of a first embodiment of the present invention;  
 FIG. 7 is a first perspective view of a first embodiment of the present invention;  
 FIG. 8 is a second perspective view of a first embodiment of the present invention;  
 FIG. 9 is a top view of a fourth embodiment of the present invention;  
 FIG. 10 is a bottom view of a fourth embodiment of the present invention;  
 FIG. 11 is a front view of a fourth embodiment of the present invention;  
 FIG. 12 is a rear view of a fourth embodiment of the present invention;  
 FIG. 13 is a first side view of a fourth embodiment of the present invention;  
 FIG. 14 is a second side view of a fourth embodiment of the present invention;  
 FIG. 15 is a first perspective view of a fourth embodiment of the present invention; and,  
 FIG. 16 is a second perspective view of a fourth embodiment of the present invention.

**1 Claim, 8 Drawing Sheets**



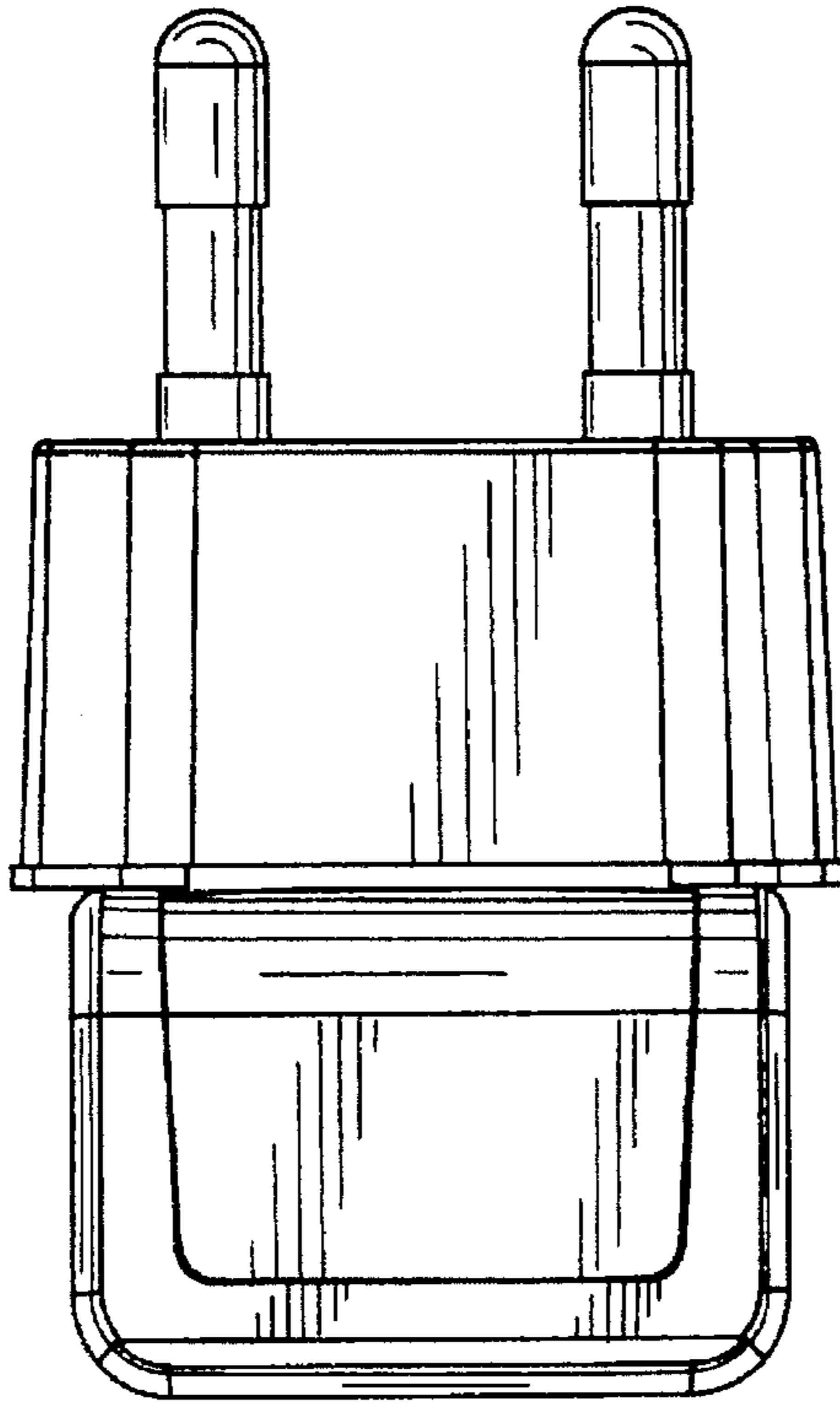


FIG. 1

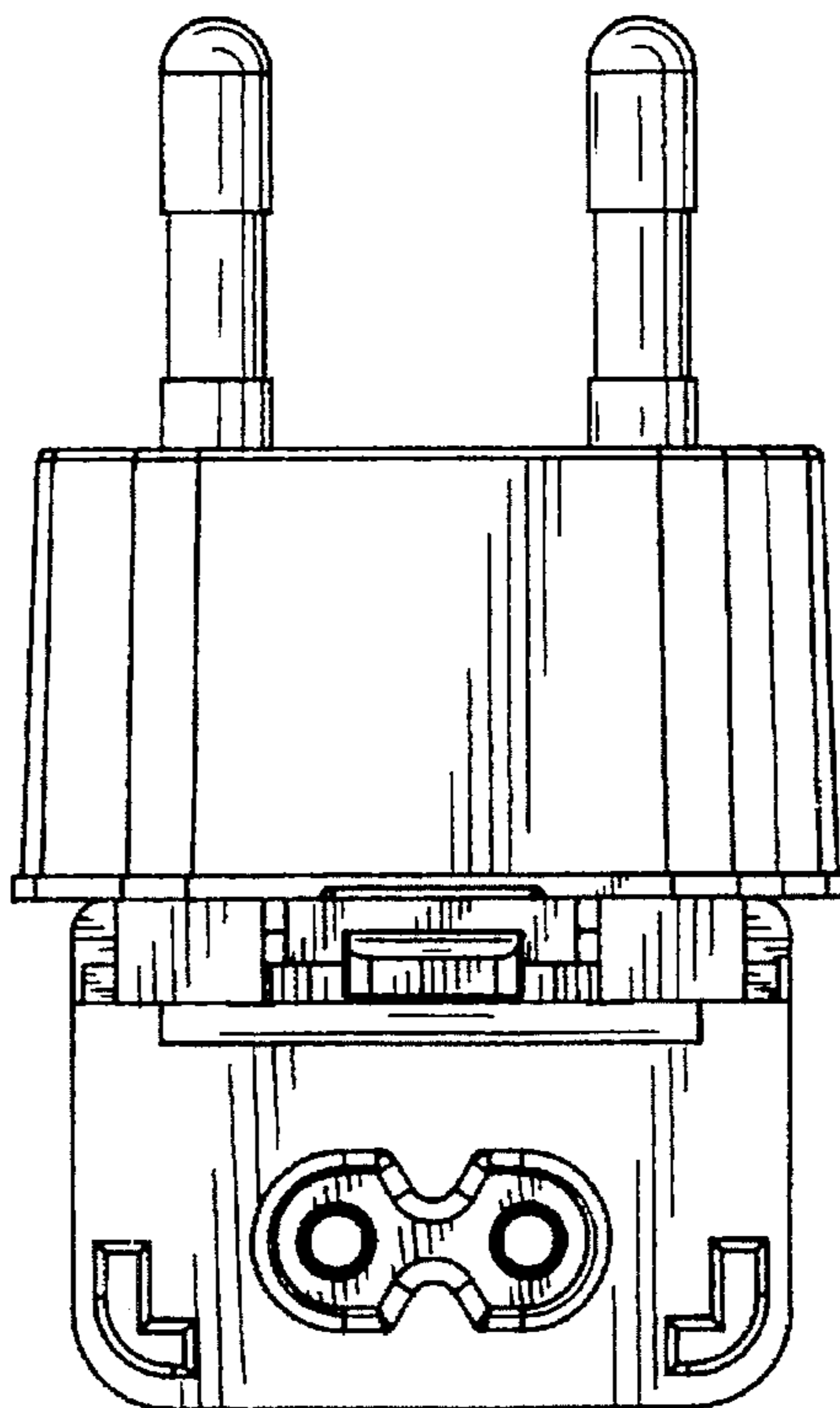


FIG. 2

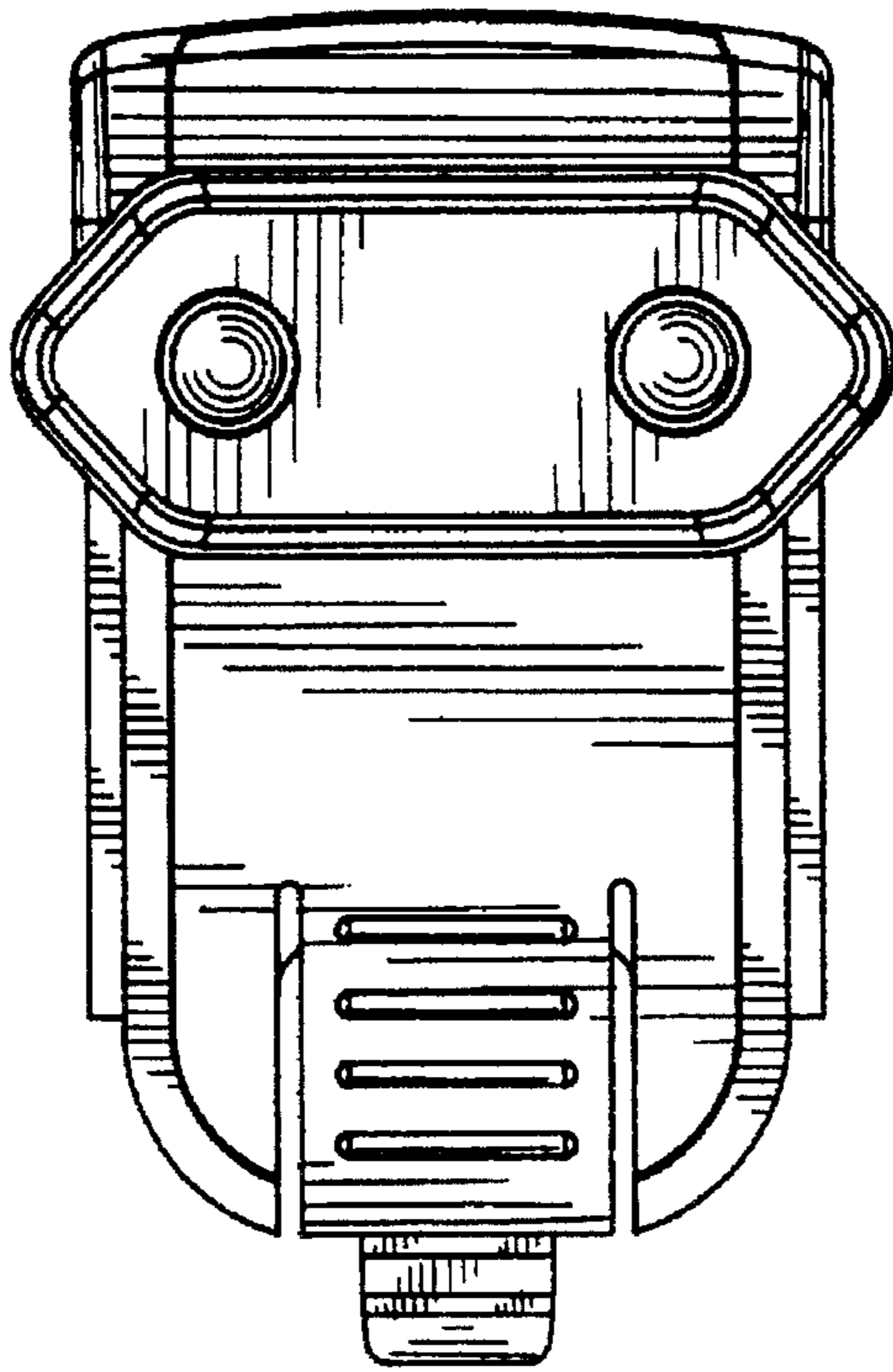


FIG. 3

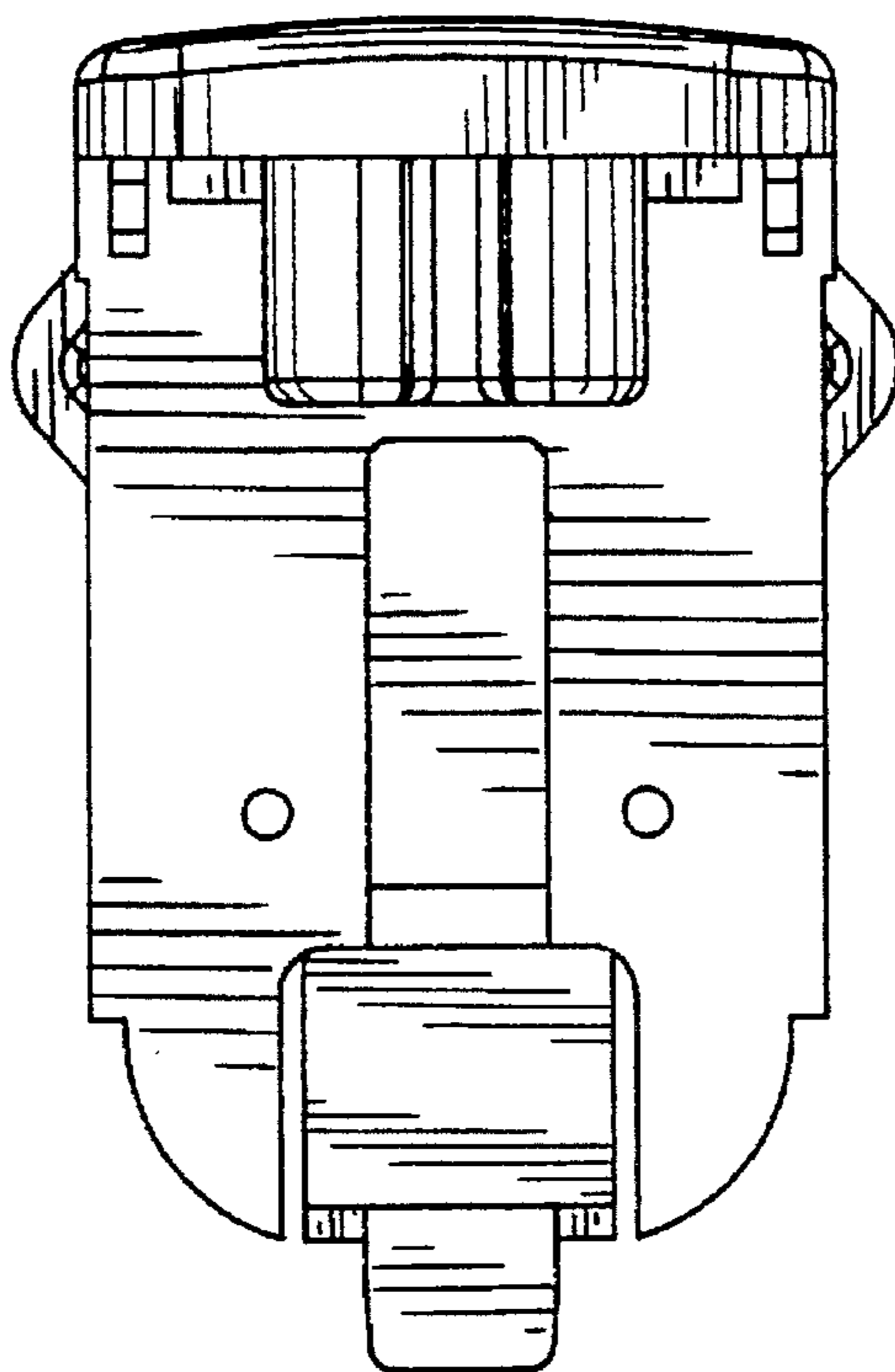


FIG. 4

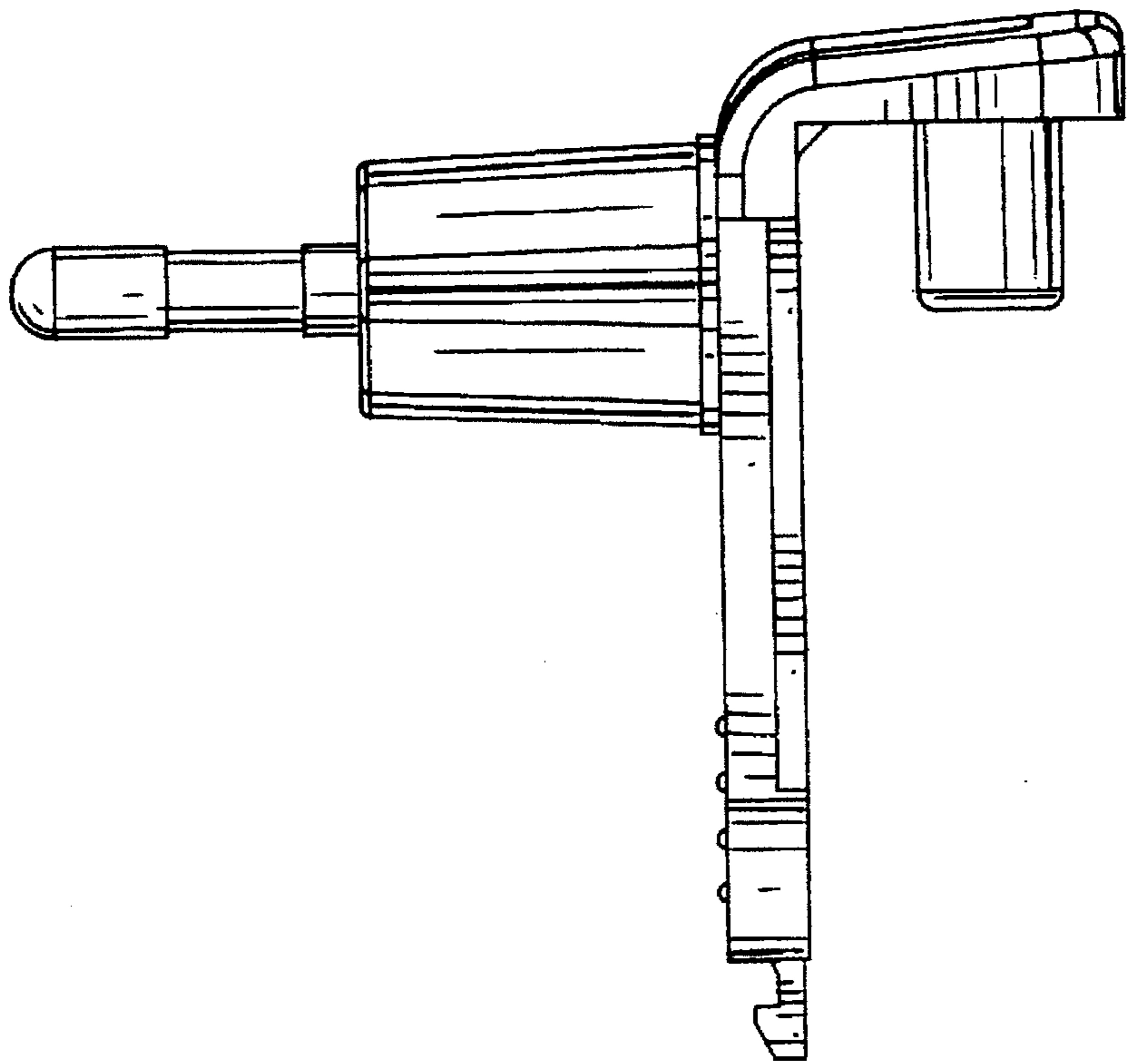


FIG. 5

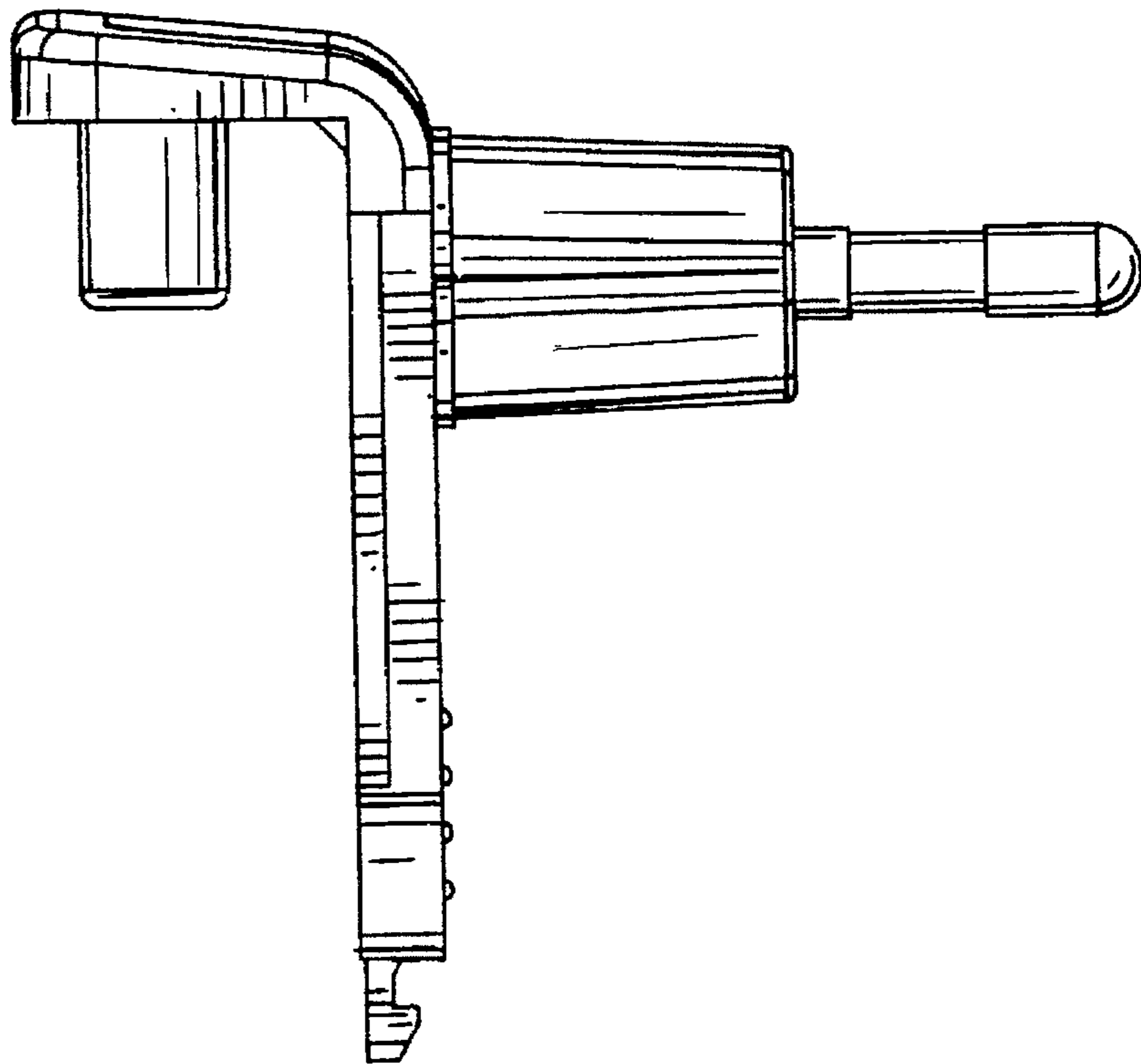


FIG. 6

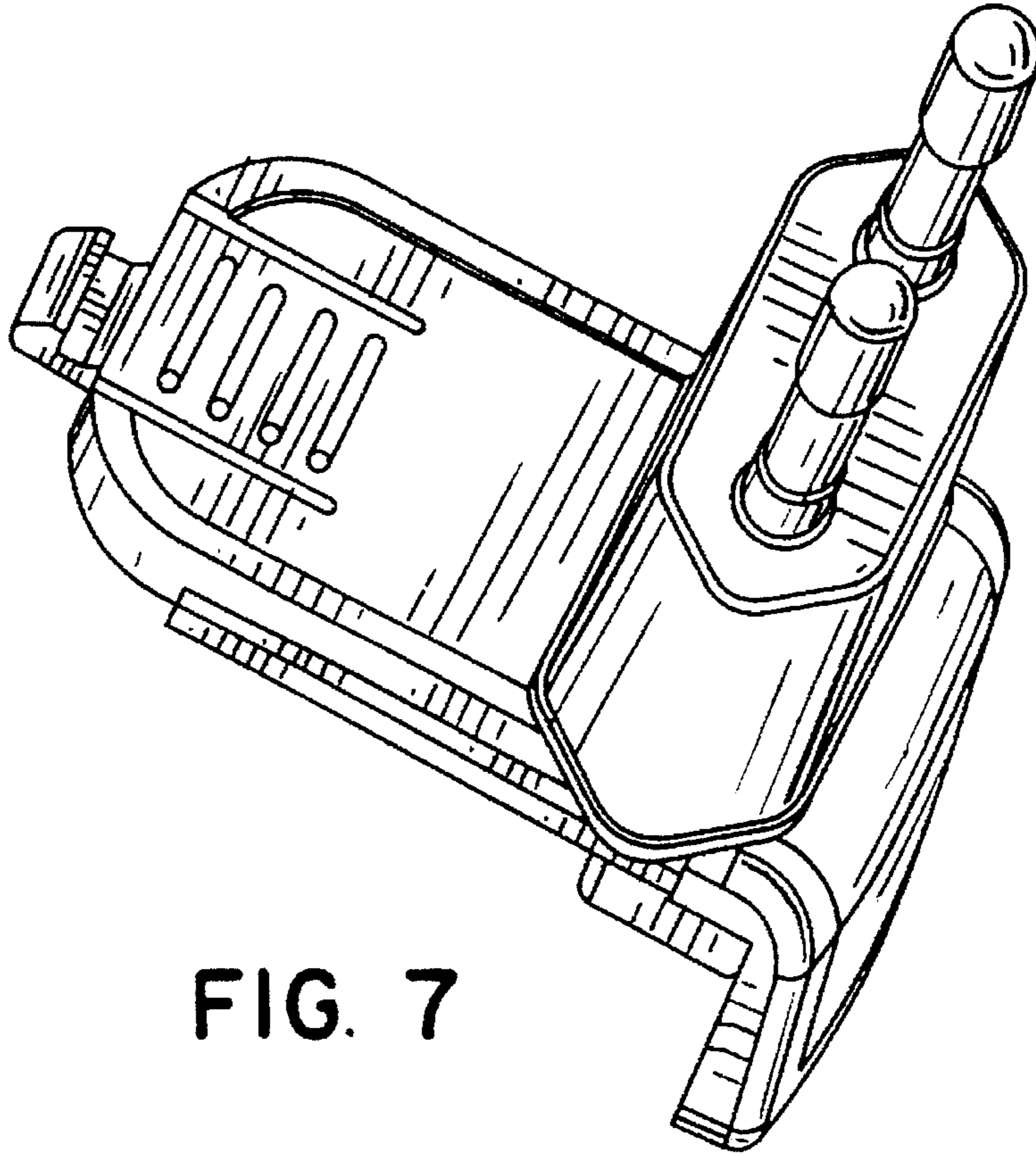


FIG. 7

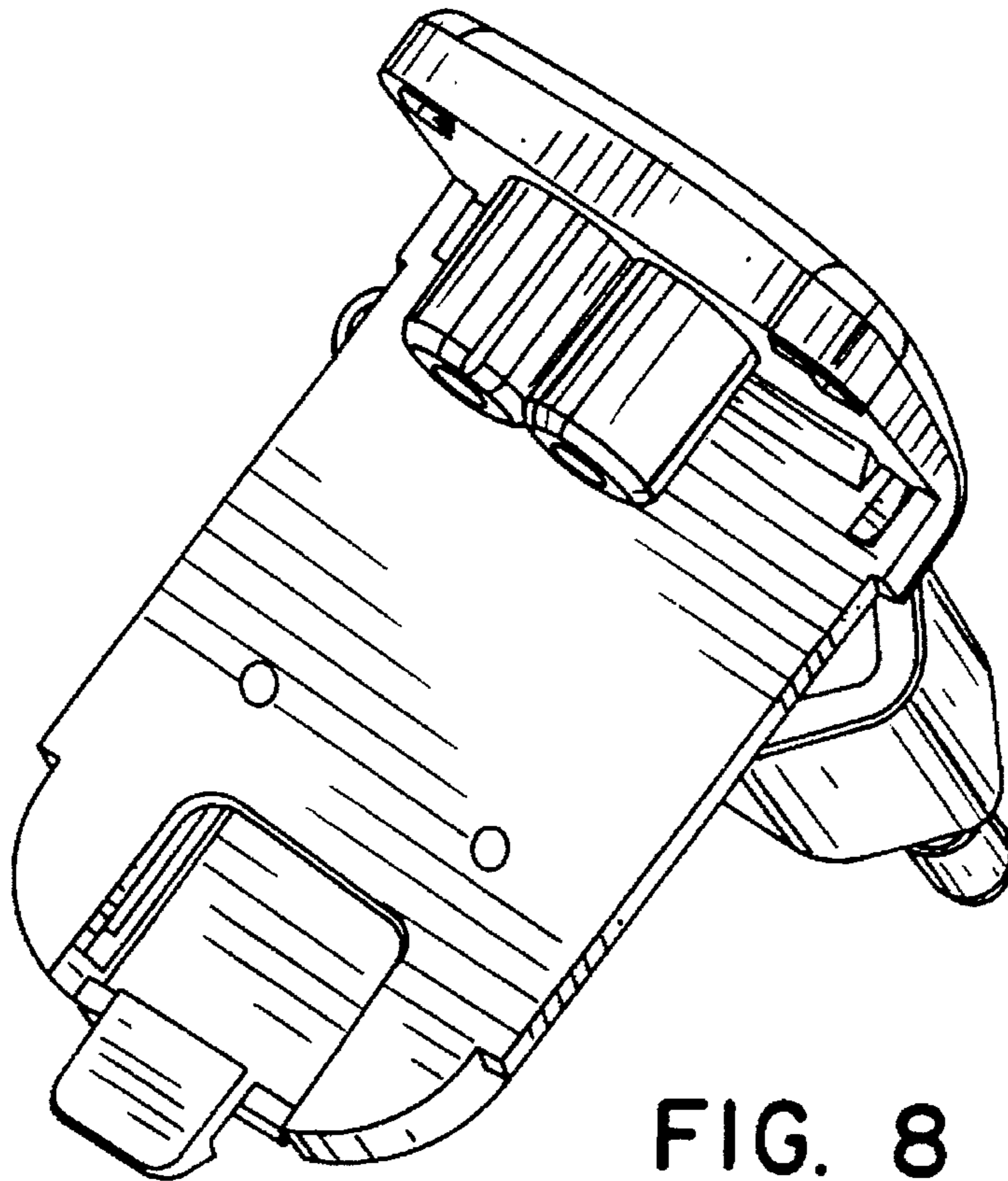


FIG. 8

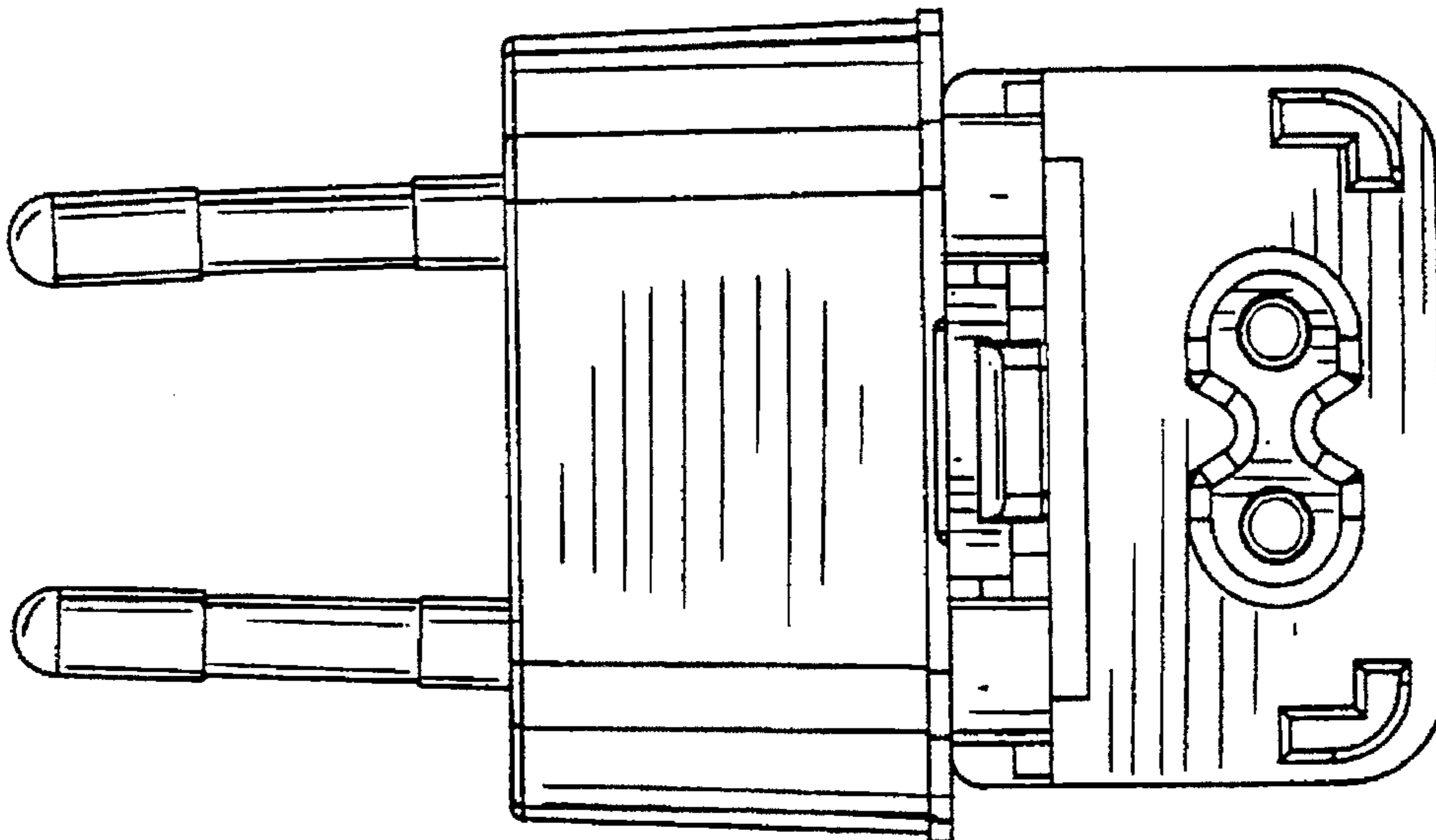


FIG. 10

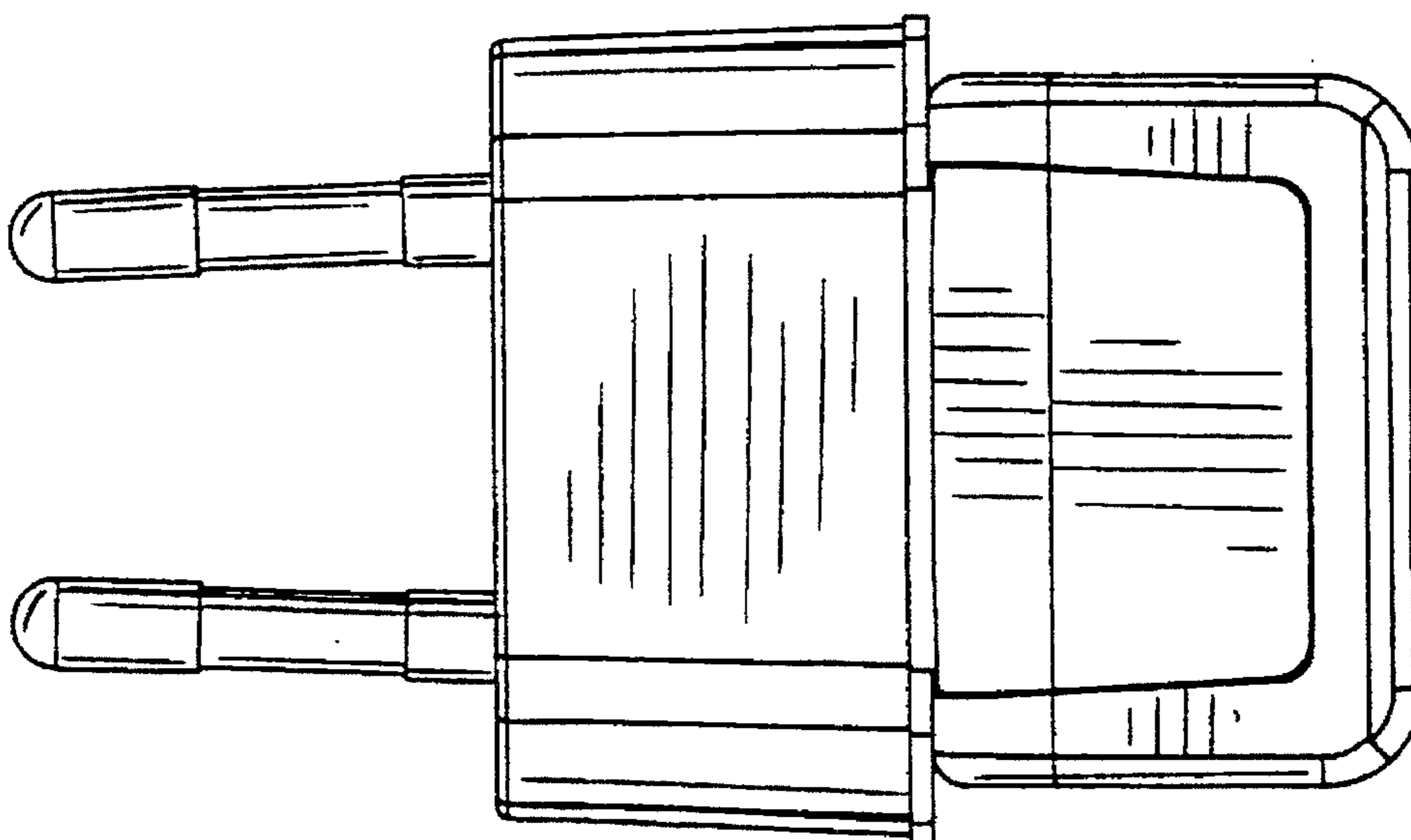


FIG. 9

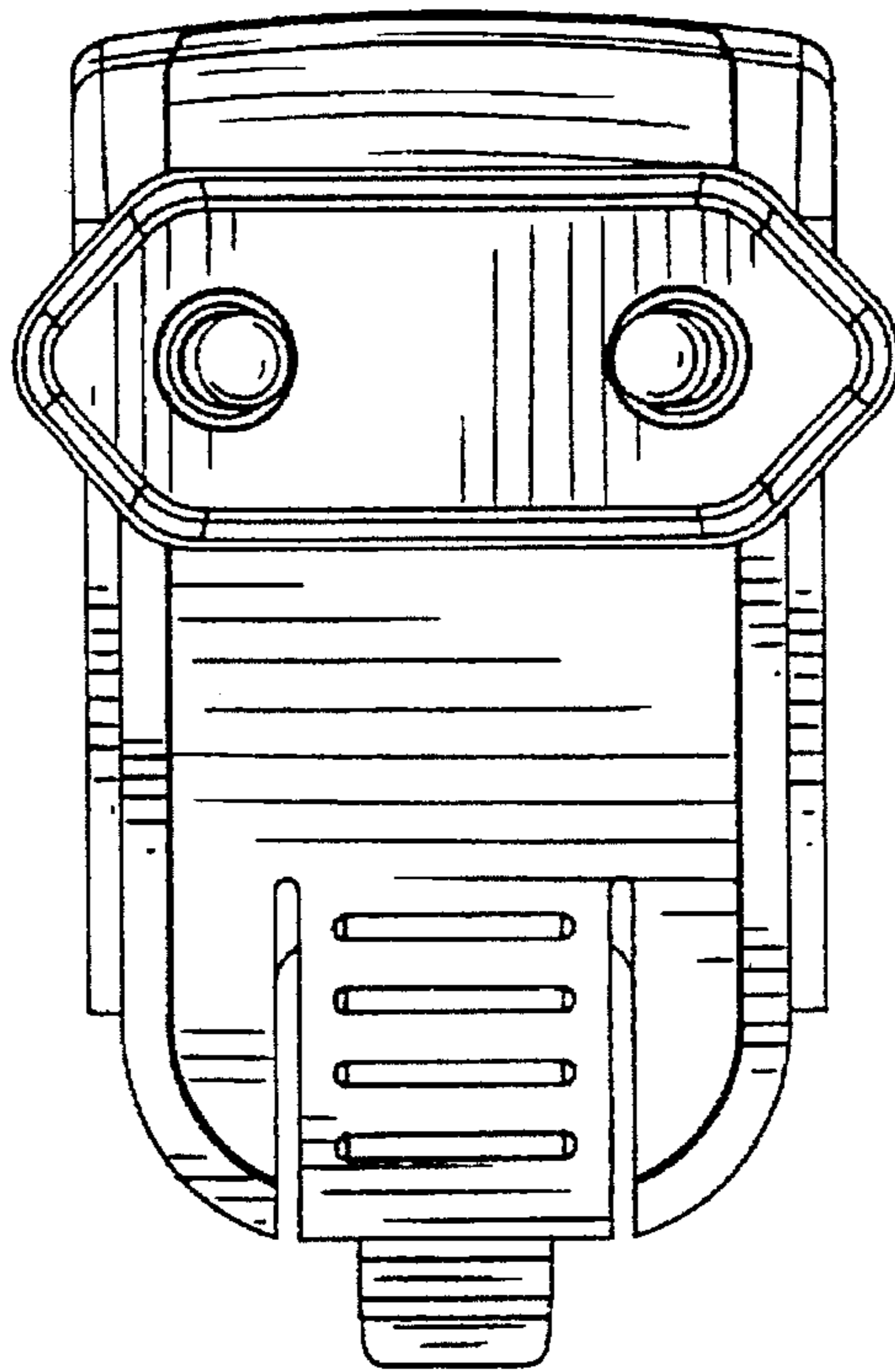


FIG. 11

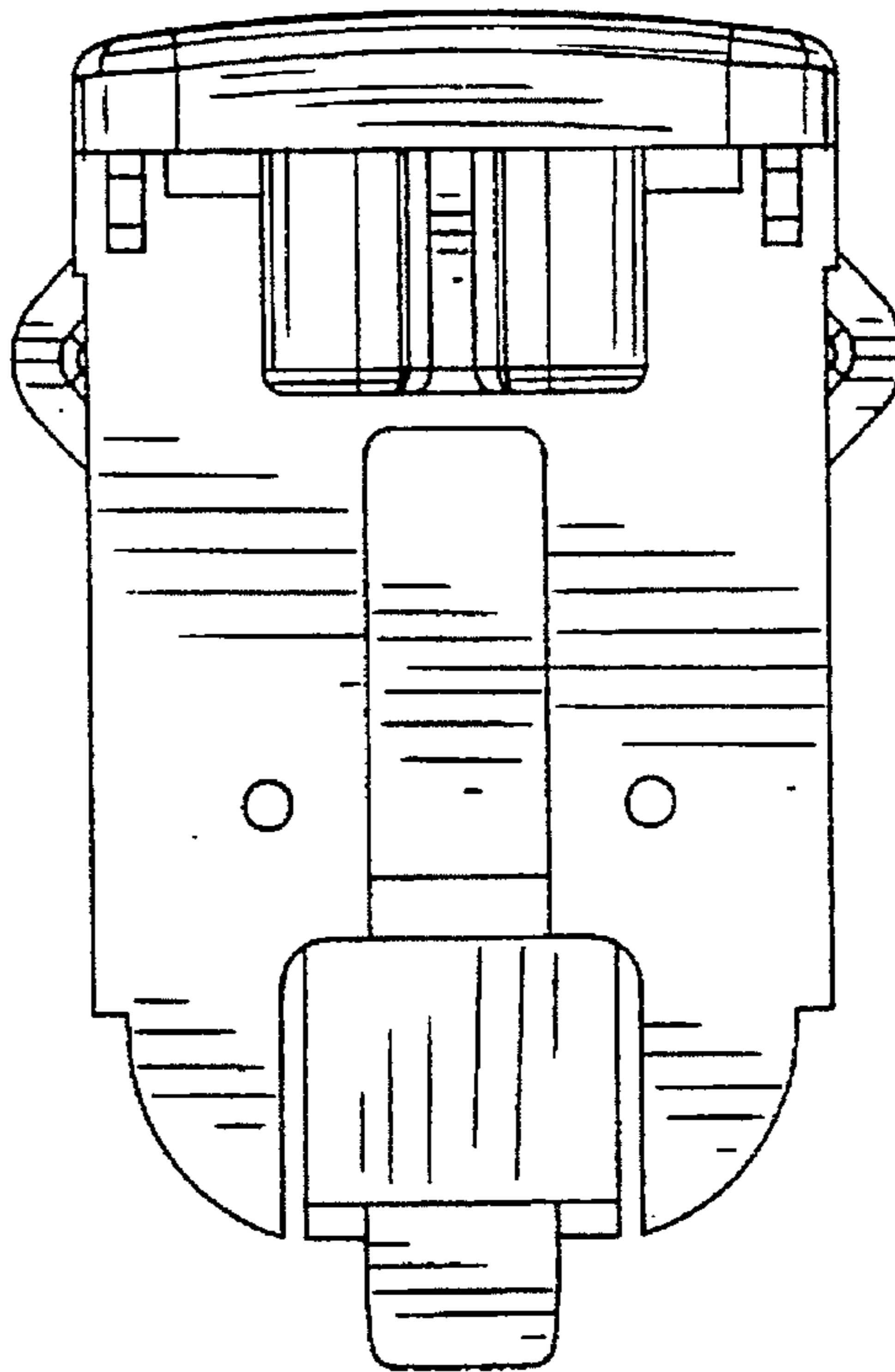


FIG. 12

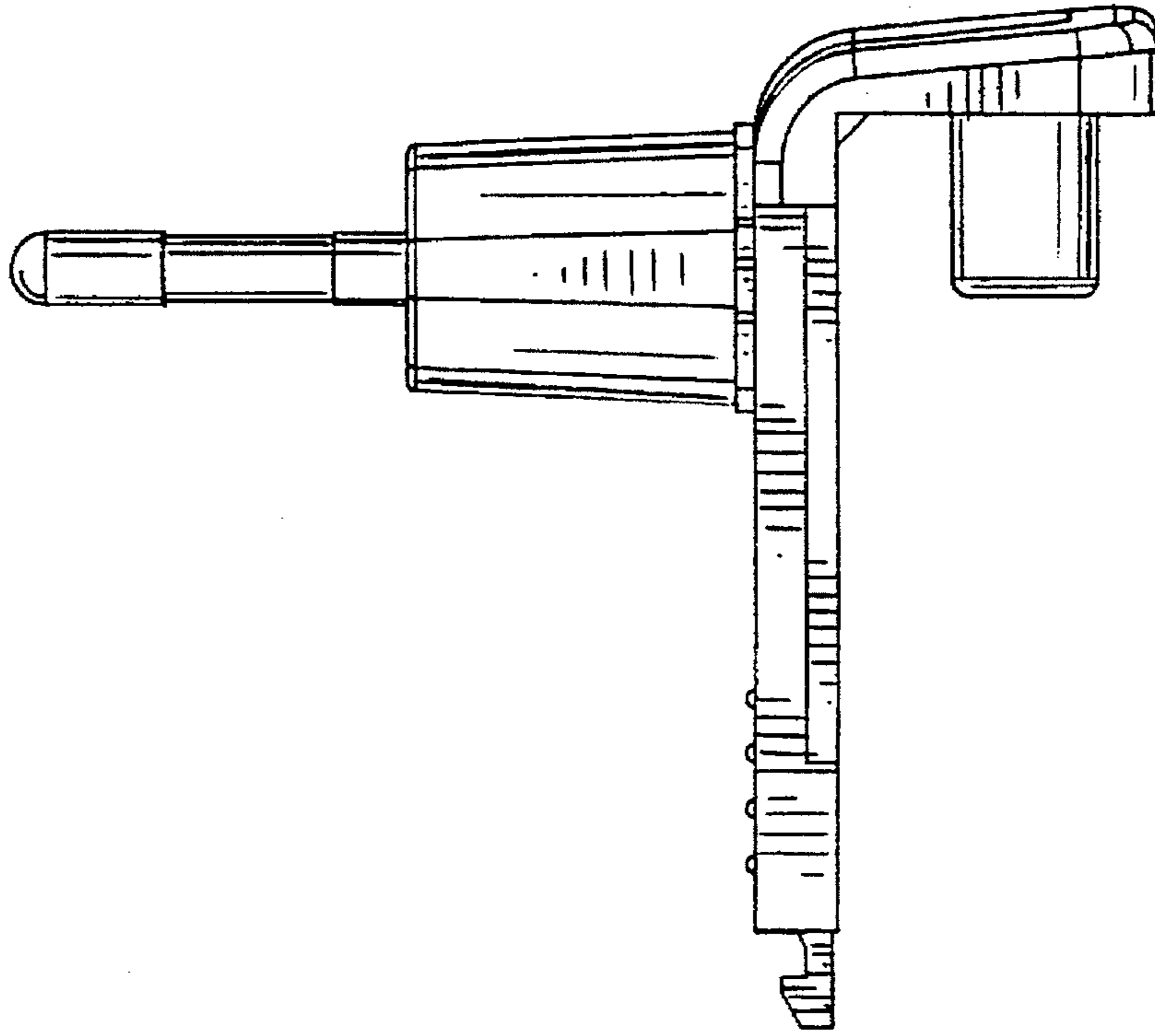


FIG. 13

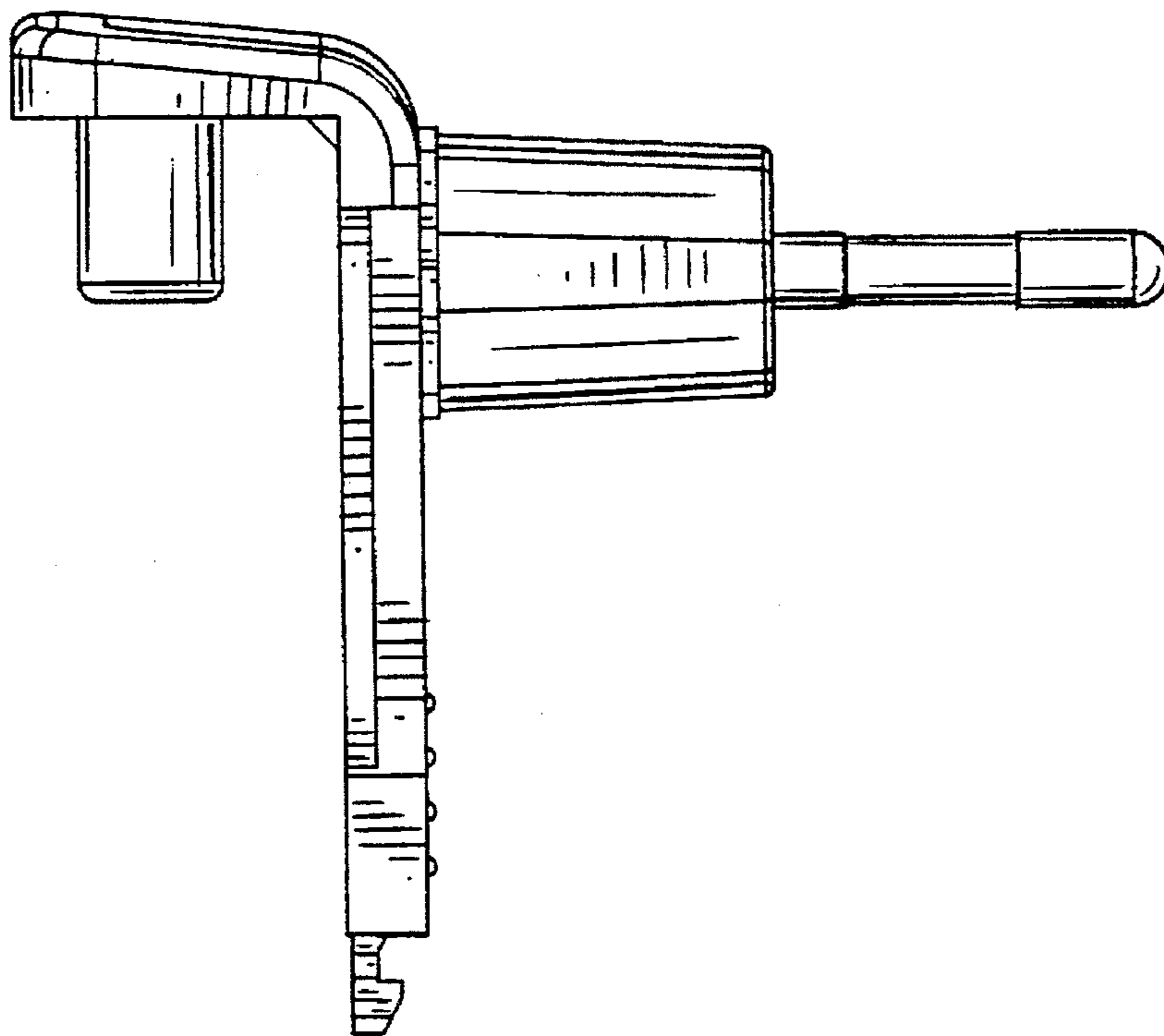


FIG. 14



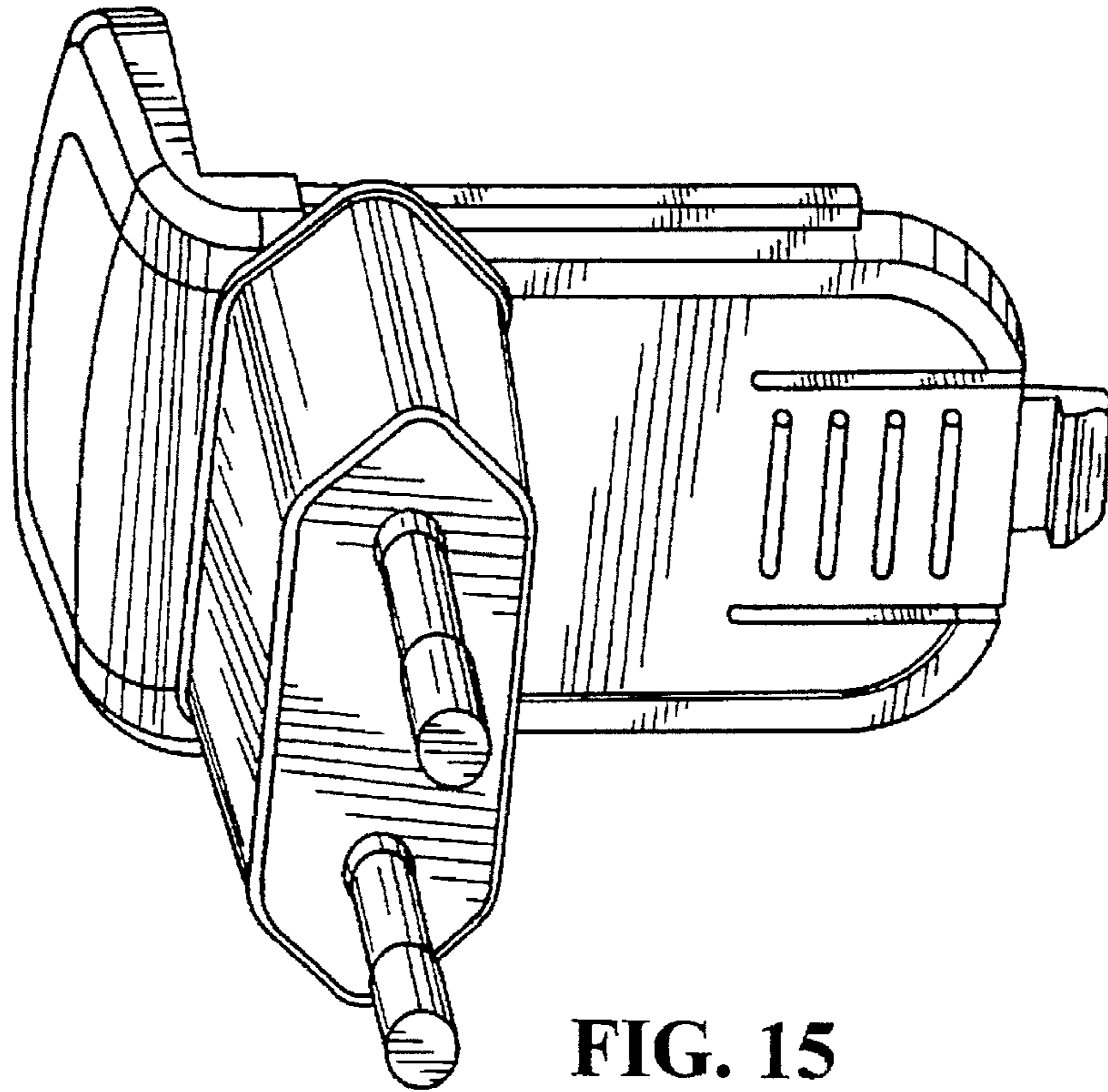


FIG. 15

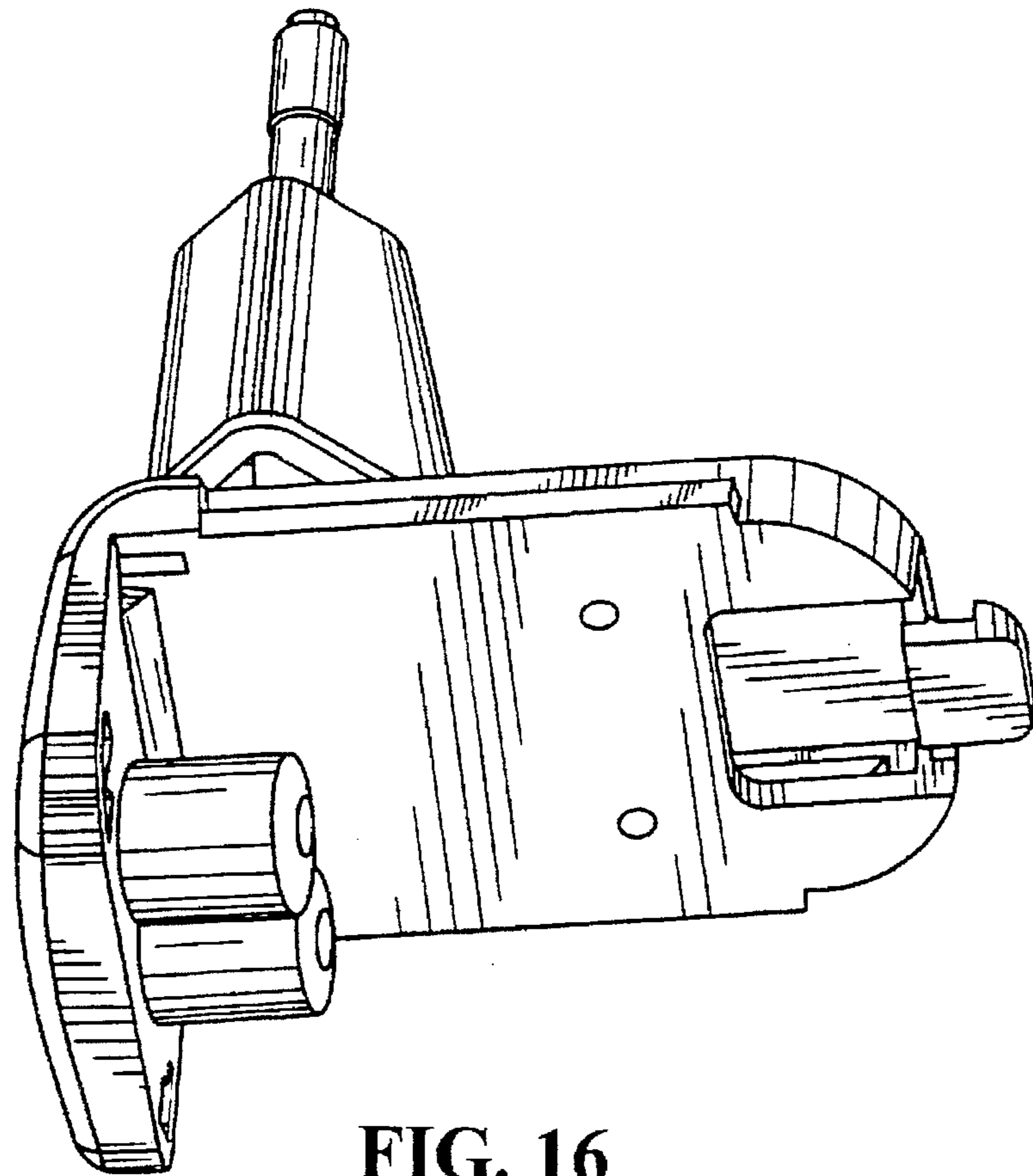


FIG. 16