



US00D381313S

United States Patent [19]

Krajci et al.

[11] Patent Number: Des. 381,313

[45] Date of Patent: **Jul. 22, 1997

[54] FACEPLATE FOR A QUIET FAN CONTROLLER

4,584,430 4/1986 Belknap 174/66
5,189,259 2/1993 Carson et al. 174/57

[75] Inventors: Edward Krajci, Franklin Square; Saul Rosenbaum, East Meadow, both of N.Y.

Primary Examiner—Doris Clark
Attorney, Agent, or Firm—Paul J. Sutton

[73] Assignee: Leviton Manufacturing Co., Inc., Little Neck, N.Y.

[57] CLAIM

[**] Term: 14 Years

The ornamental design for a faceplate for a quiet fan controller housing, as shown and described.

[21] Appl. No.: 49,336

[22] Filed: Jan. 23, 1996

DESCRIPTION

[51] LOC (6) Cl. 14-03

[52] U.S. Cl. D13/125

[58] Field of Search D13/156, 172, D13/125, 158; 174/55, 66, 67; 220/241, 242

FIG. 1 is a perspective view of the faceplate for a quiet fan controller housing highlighting our new design;

FIG. 2 is a front elevational view of the faceplate for a quiet fan controller housing of FIG. 1;

FIG. 3 is a side view of the faceplate for a quiet fan controller housing of FIG. 1;

FIG. 4 is a rear elevational view of the faceplate for a quiet fan controller housing of FIG. 1; and,

FIG. 5 is a top plan view of the faceplate for a quiet fan controller housing of FIG. 1.

The broken lines showing a switch housing is for illustrative purposes only and forms no part of the claimed design.

[56] References Cited

U.S. PATENT DOCUMENTS

D. 234,602 3/1975 Mellyn D13/125

1 Claim, 2 Drawing Sheets

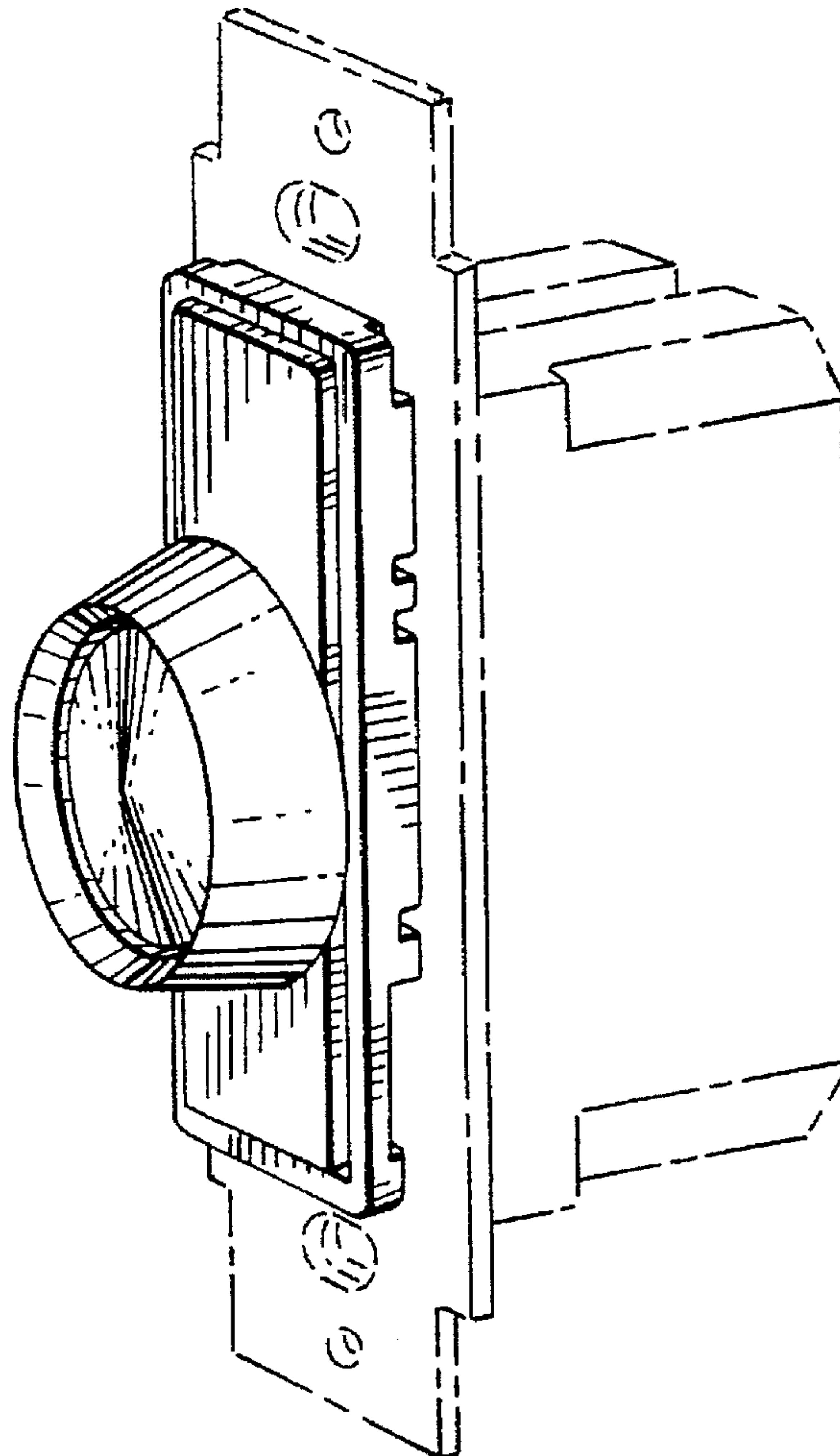


FIG. 1

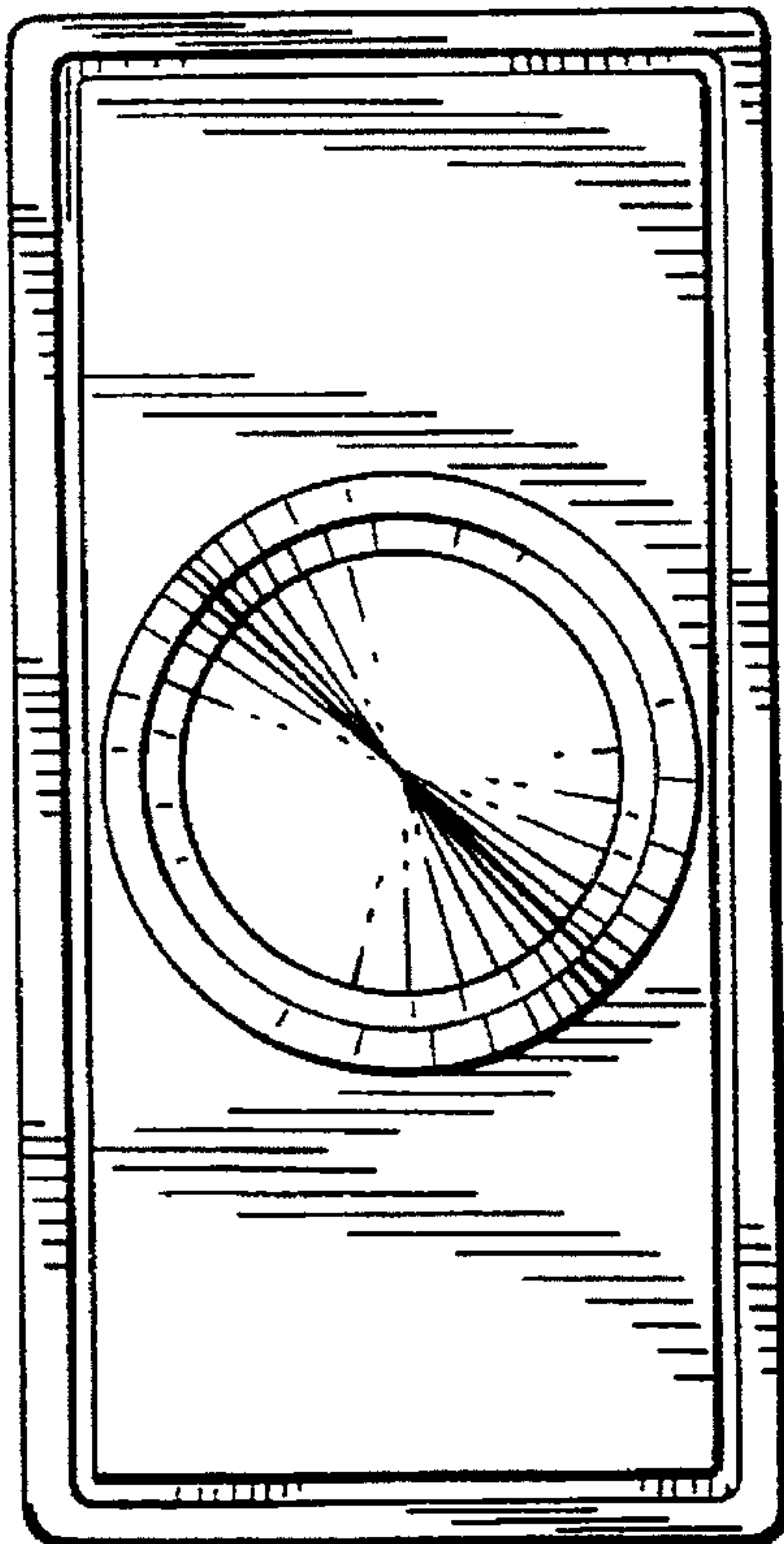
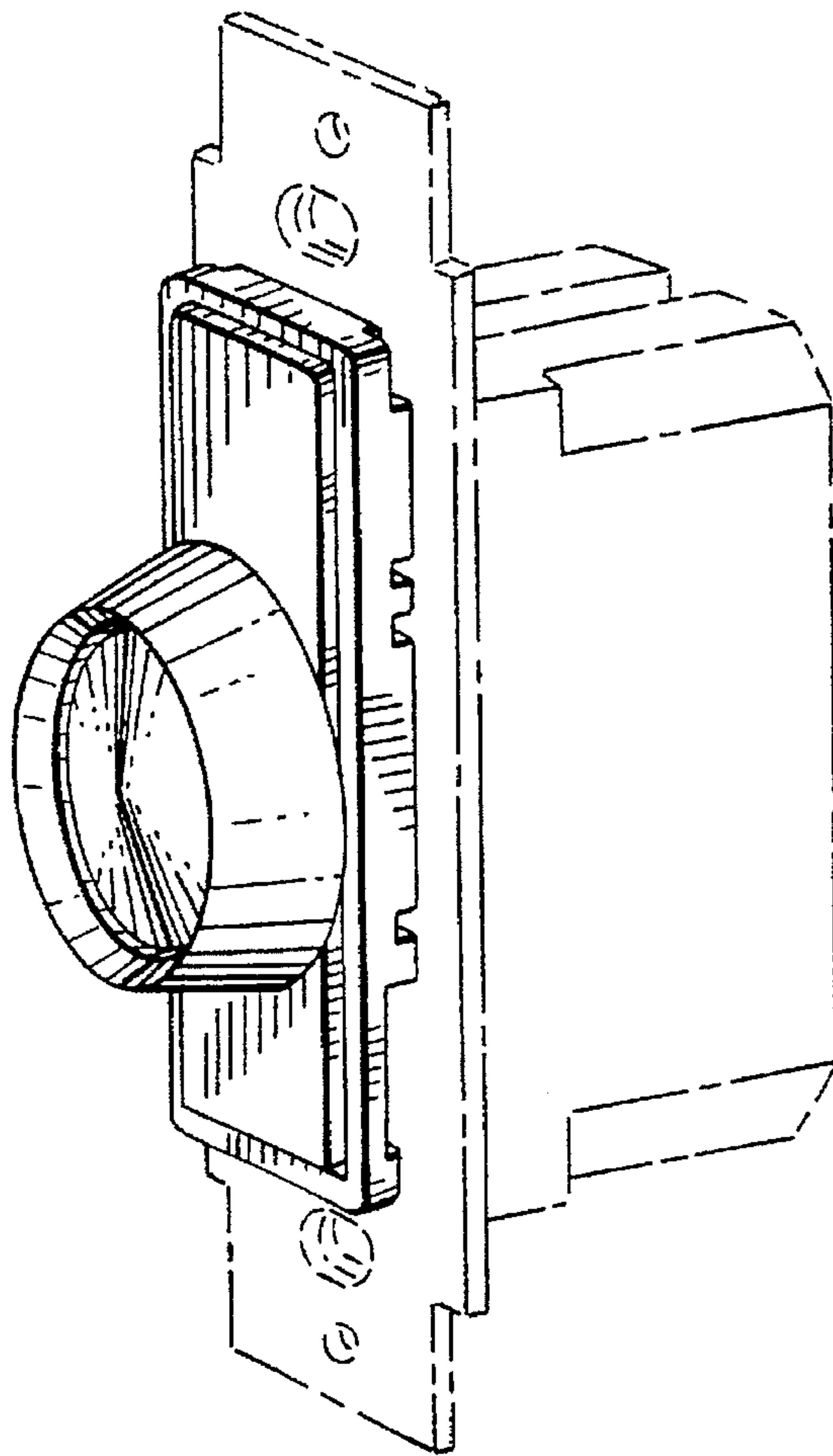


FIG. 2

FIG. 3

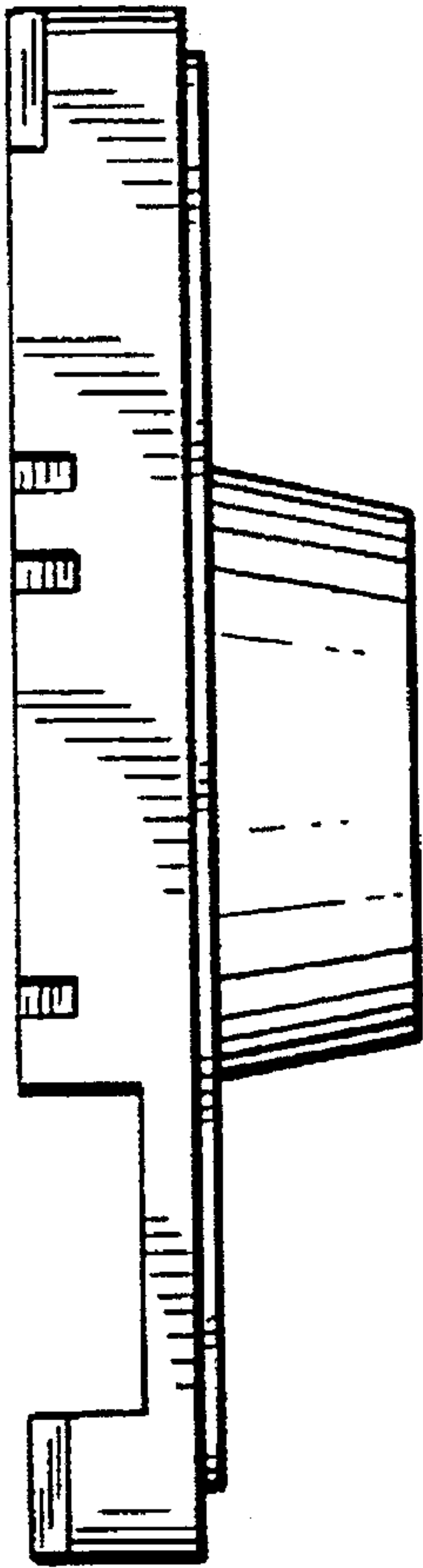


FIG. 4

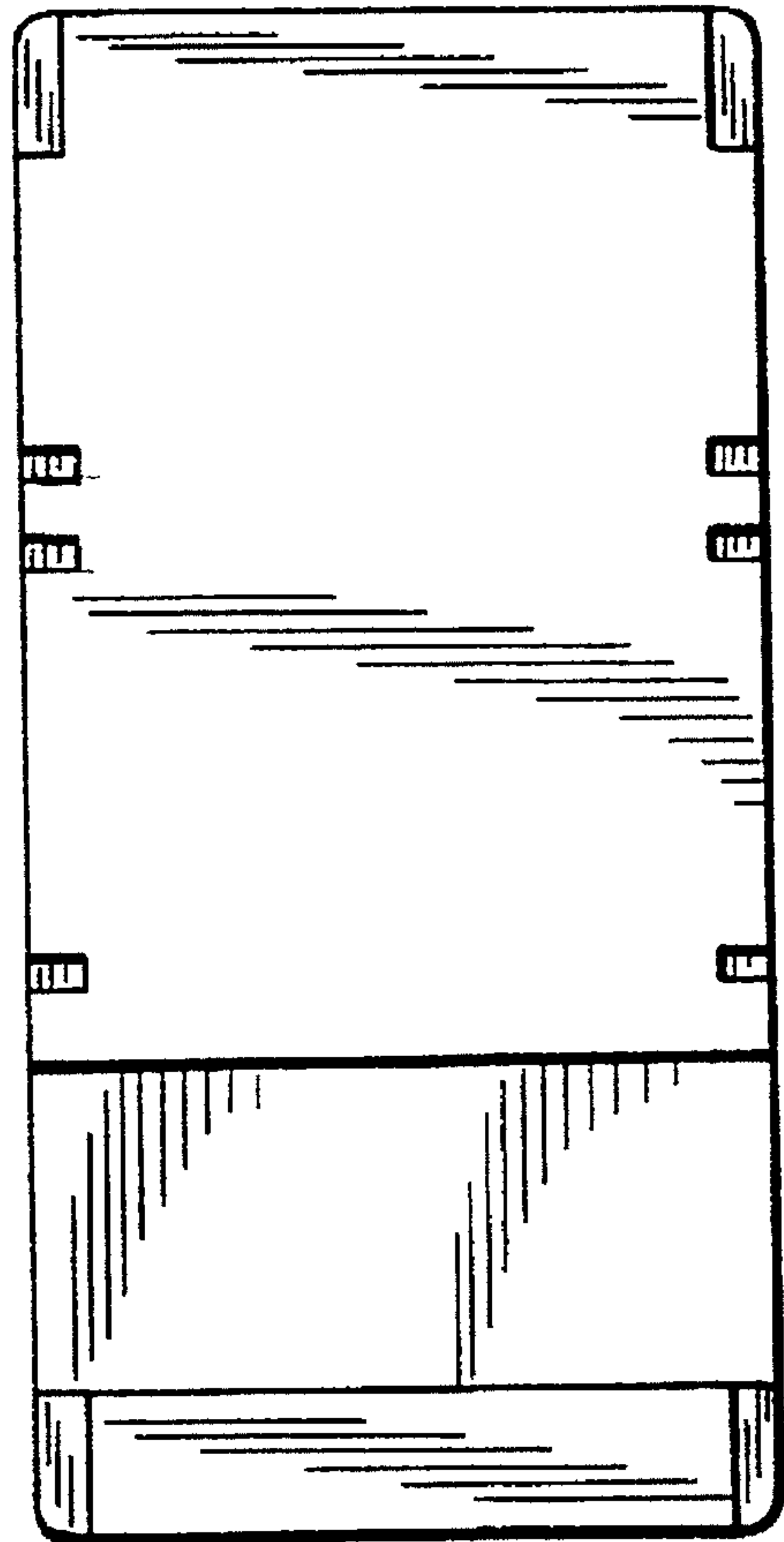


FIG. 5

