



US00D381310S

United States Patent [19]

Zemlicka et al.

[11] Patent Number: Des. 381,310

[45] Date of Patent: **Jul. 22, 1997

[54] **MOTORCYCLE WHEEL HUB**

[75] Inventors: **Alvin R. Zemlicka**, Elkhart Lake;
William H. Brown, Menomonee Falls,
both of Wis.

[73] Assignee: **Harley Davidson**, Milwaukee, Wis.

[**] Term: **14 Years**

[21] Appl. No.: **48,368**

[22] Filed: **Dec. 27, 1995**

Related U.S. Application Data

[62] Division of Ser. No. 29,472, Oct. 6, 1994, Pat. No. Des. 369,336.

[51] LOC (6) Cl. 12-16

[52] U.S. Cl. D12/207

[58] Field of Search D12/207, 115,
D12/215; 301/105.1, 110.5

[56] **References Cited**

U.S. PATENT DOCUMENTS

- D. 364,842 12/1995 Hoepfner et al. D12/207
- D. 365,310 12/1995 Chen D12/207
- D. 369,336 4/1996 Zemlicka et al. D12/207

OTHER PUBLICATIONS

- Harley-Davidson, Inc. Parts Catalog 1340 Models 1987, p. 58.
- AMF Harley-Davidson Parts Catalog SS/SX-175/250, p.48.

Harley-Davidson All Models parts Catalog 1993/94, p. 48, p 56.

AMF Harley-Davidson Parts Catalog Sportster 1961-1971, p. 42.

Harley-Davidson Motor Co., Inc. Parts Catalog XLH Models 1986, p. 38.

Harley-Davidson, Inc. Parts Catalog FL Models 1941-1984, p. 122, pp. 124, 264.

Primary Examiner—Marcus A. Jackson
Attorney, Agent, or Firm—Michael, Best & Friedrich

[57] **CLAIM**

The ornamental design for a motorcycle wheel hub, as shown and described.

DESCRIPTION

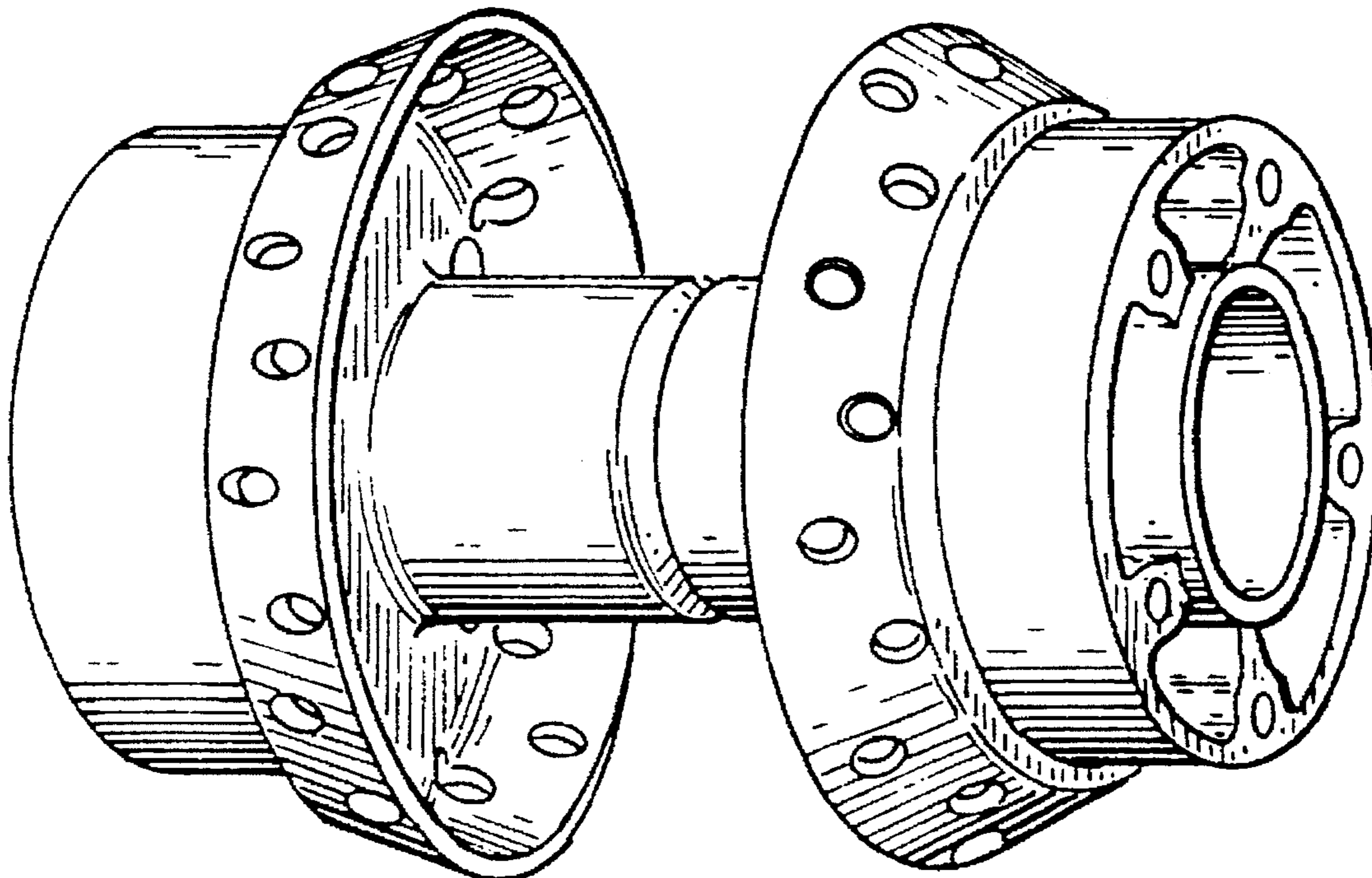
FIG. 1 is a perspective view illustrating the environment for a motorcycle wheel hub according to our invention, with the broken lines for illustrative purposes only and forming on part of the claimed design;

FIG. 2 is an enlarged perspective view of a motorcycle wheel hub according to the invention;

FIG. 3 is a side view thereof, the opposite side, top and bottom views thereof being identical; and,

FIG. 4 is a right end view thereof, the left end view thereof being identical.

1 Claim, 2 Drawing Sheets



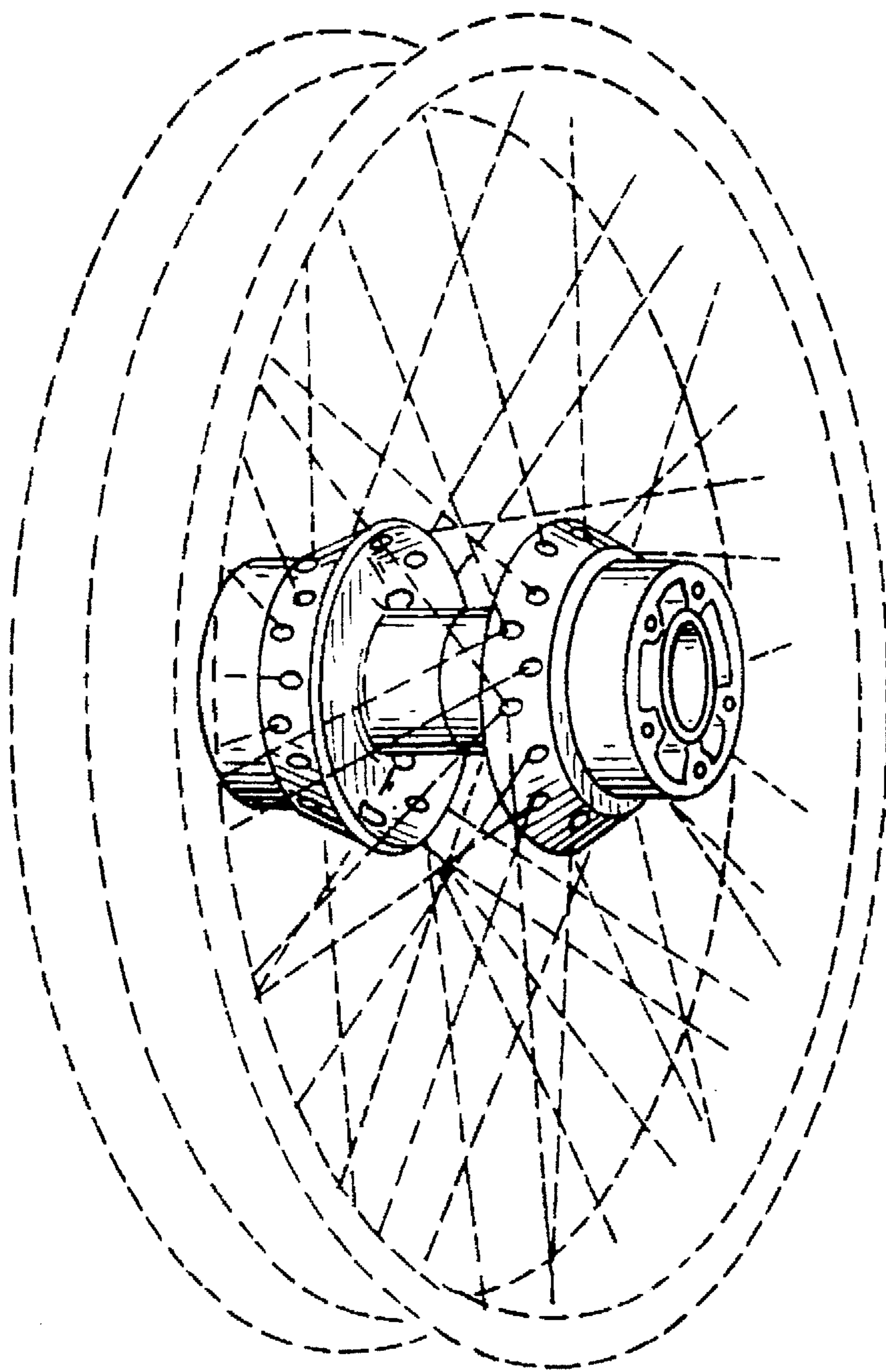


Fig. 1

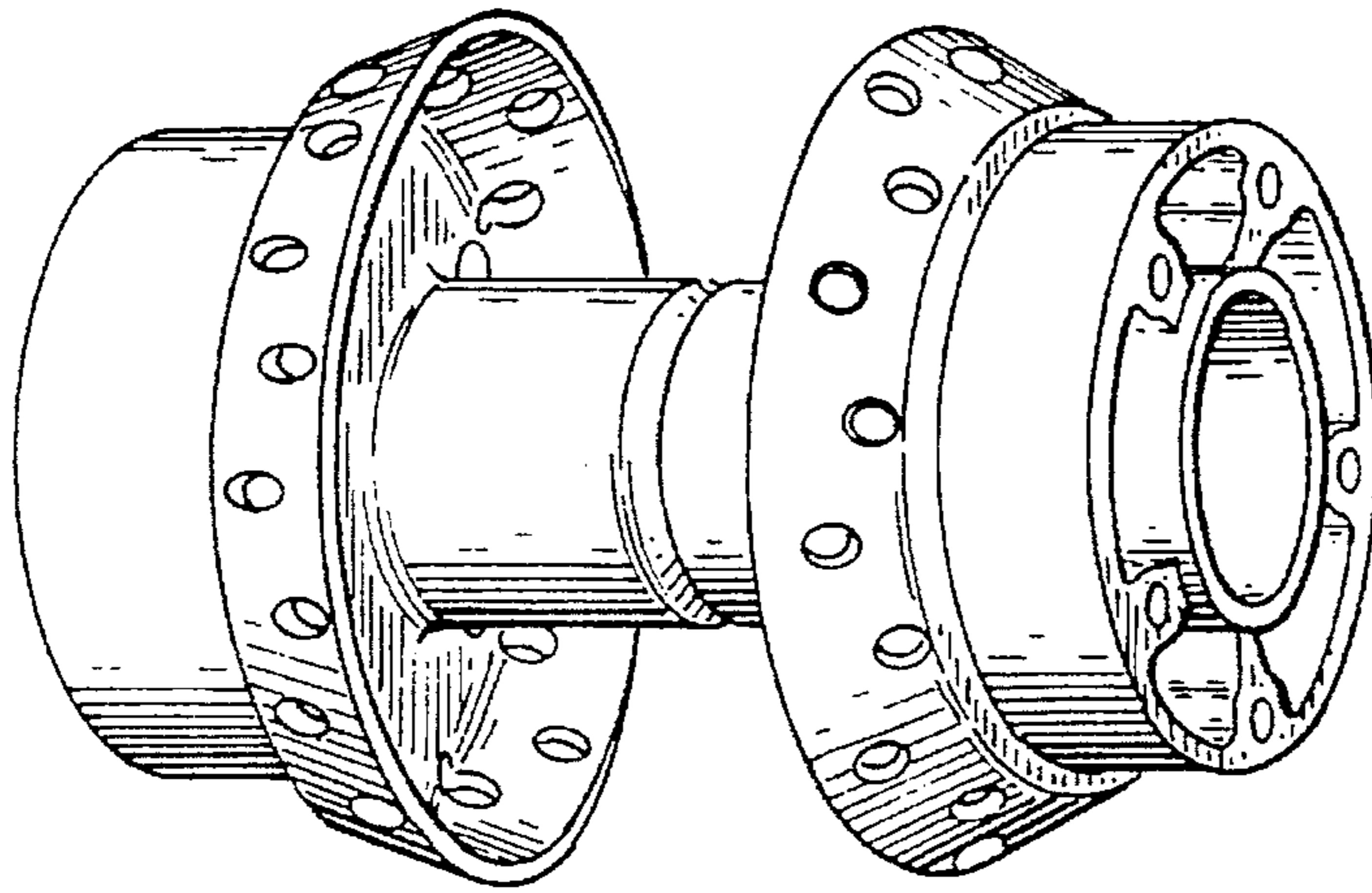


Fig. 2

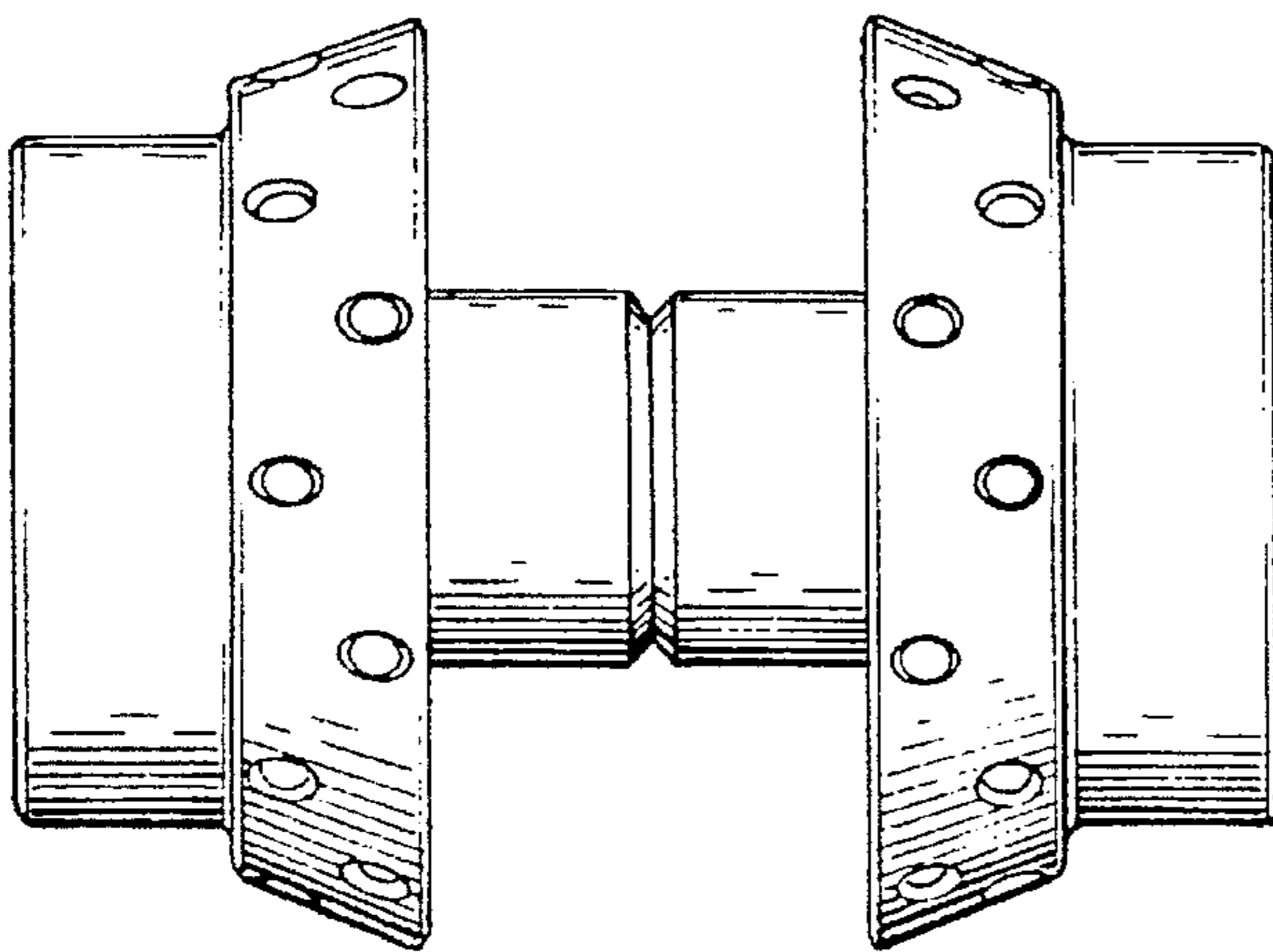


Fig. 3

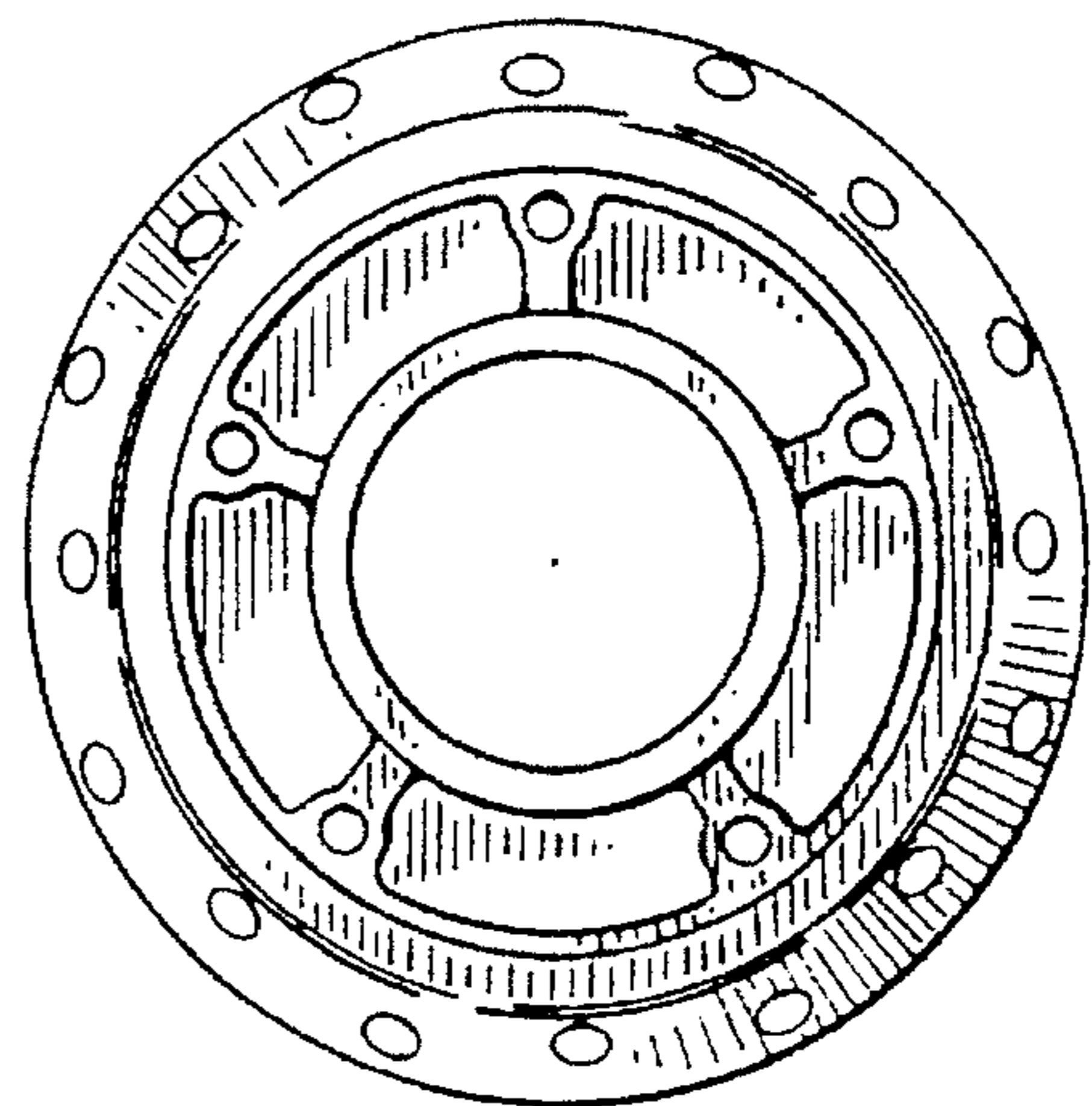


Fig. 4