



US00D381308S

**United States Patent** [19]  
**Manning**

[11] **Patent Number: Des. 381,308**  
[45] **Date of Patent: \*\*Jul. 22, 1997**

[54] **EXHAUST PIPE ADAPTER**

D. 263,496 3/1982 Kimball et al. .... D12/194  
5,434,374 7/1995 Hsueh ..... 181/228

[76] Inventor: **Michael J. Manning**, 271 Montego Dr.,  
Danville, Calif. 94526

*Primary Examiner*—Louis S. Zarfes  
*Assistant Examiner*—Frank Martinez

[\*\*] Term: **14 Years**

[57] **CLAIM**

[21] Appl. No.: **50,807**

The ornamental design for a exhaust pipe adapter, as shown  
and described.

[22] Filed: **Feb. 26, 1996**

[51] LOC (6) Cl. .... **12-16**

[52] U.S. Cl. .... **D12/194**

[58] **Field of Search** ..... D12/194, 110;  
D15/5; 181/227, 232, 228, 347, 249, 264,  
282

**DESCRIPTION**

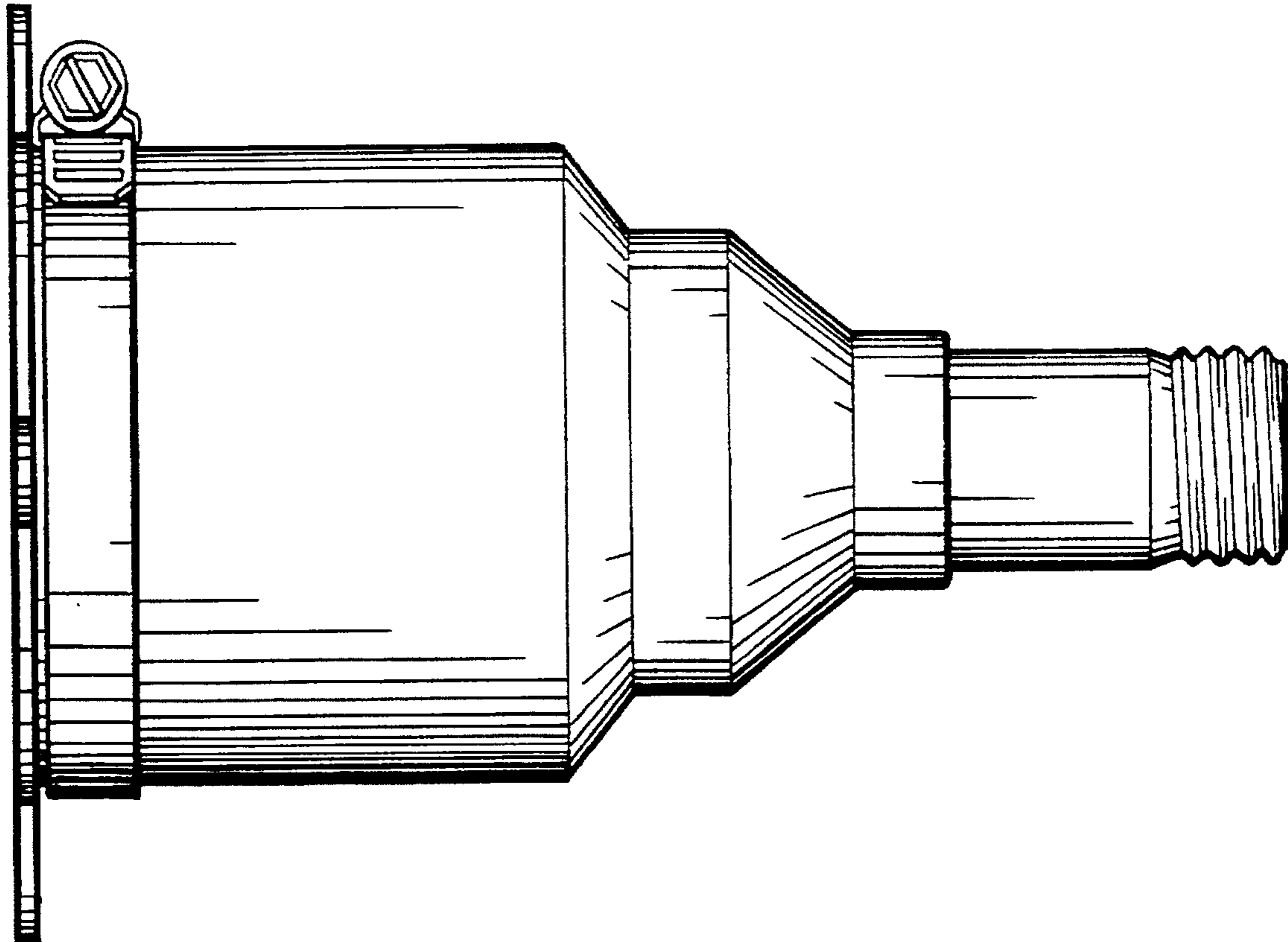
FIG. 1 is a right side elevational view of an exhaust pipe adapter showing my new design;  
FIG. 2 is a left side elevational view thereof;  
FIG. 3 is a bottom plan view thereof;  
FIG. 4 is a top plan thereof;  
FIG. 5 is a back end view thereof; and,  
FIG. 6 is a front end view thereof.

[56] **References Cited**

**U.S. PATENT DOCUMENTS**

D. 203,536 1/1966 Moss ..... D12/194  
D. 220,165 3/1971 Trainor ..... D12/194

**1 Claim, 5 Drawing Sheets**



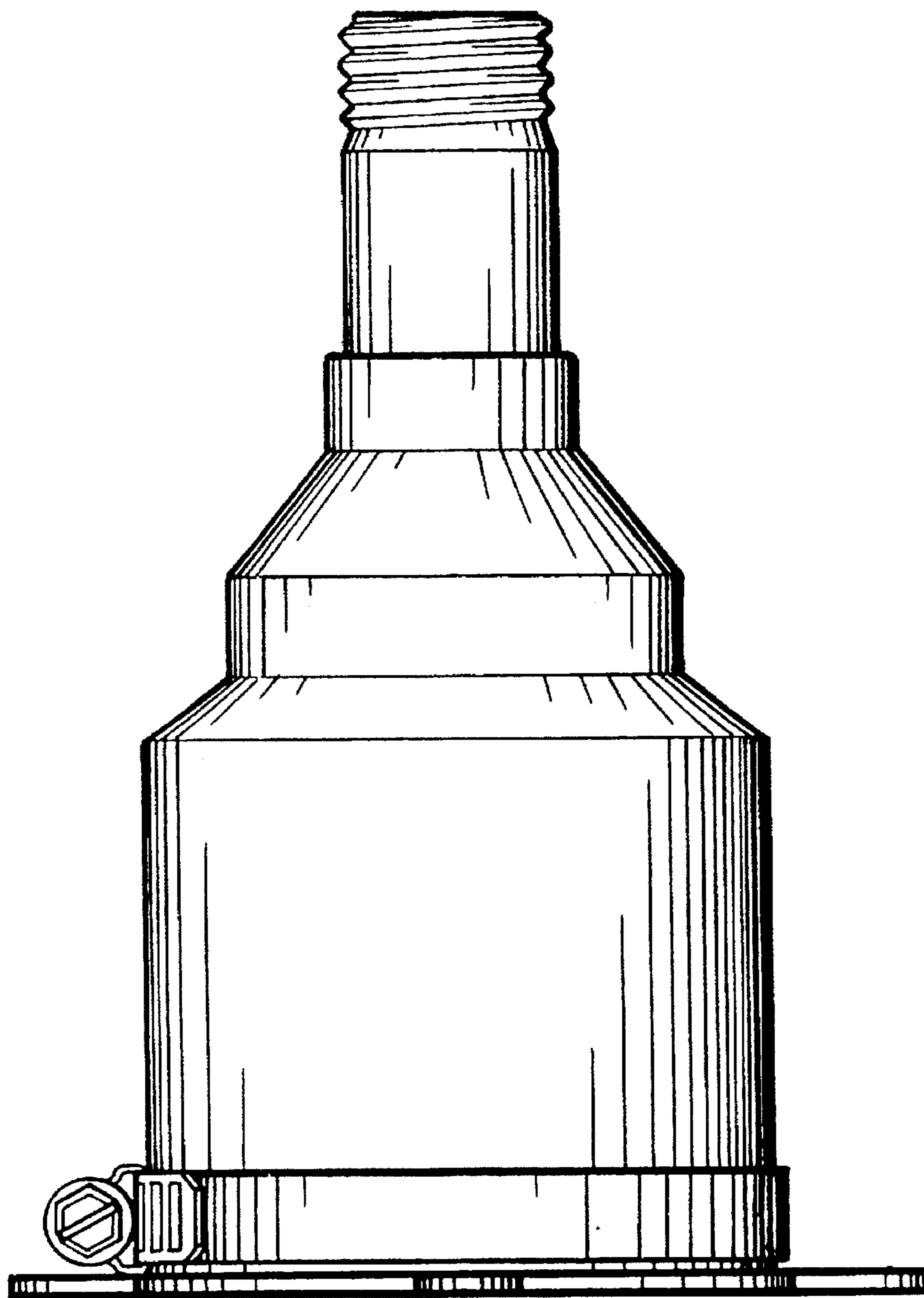


FIG. 1

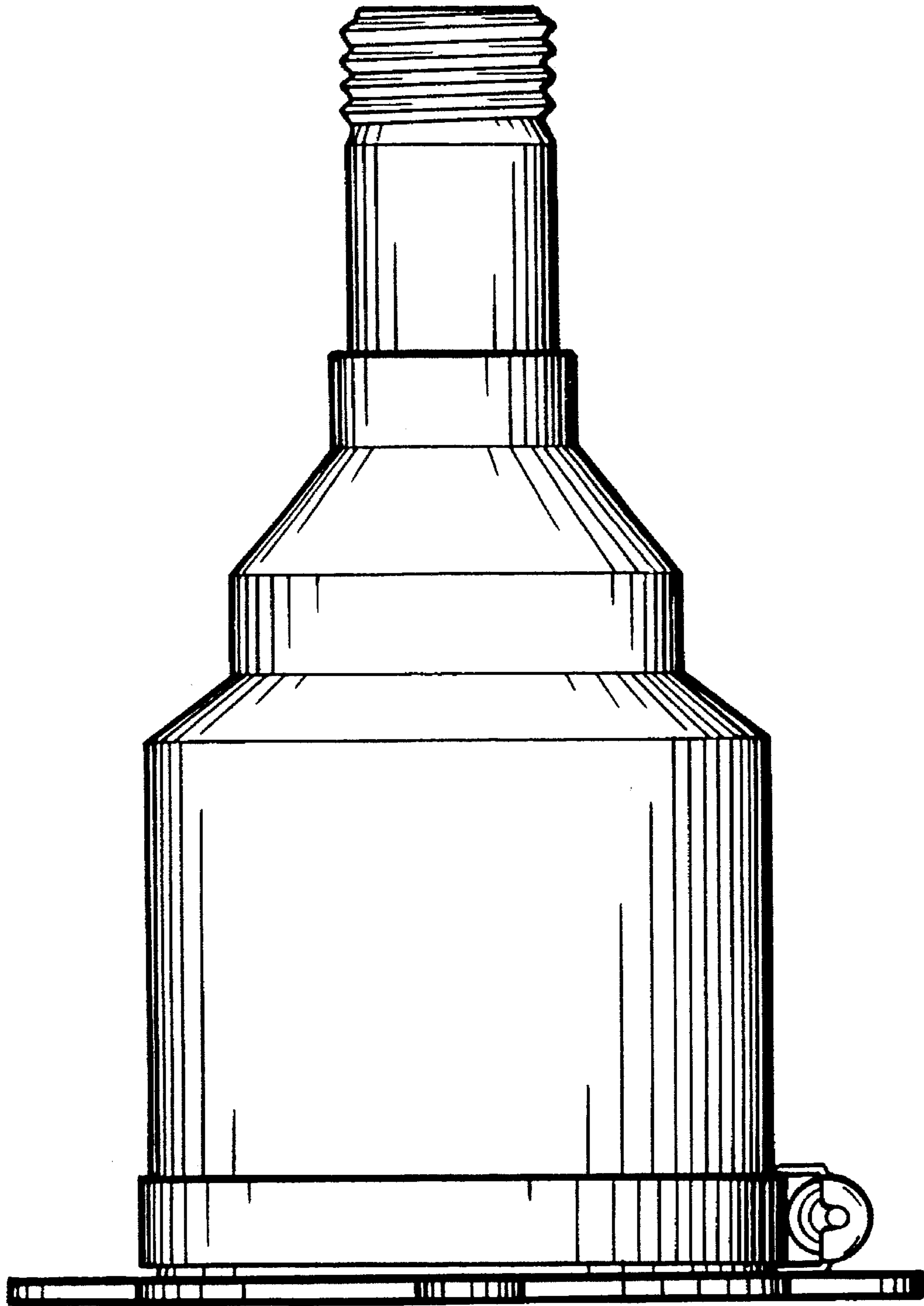


FIG. 2

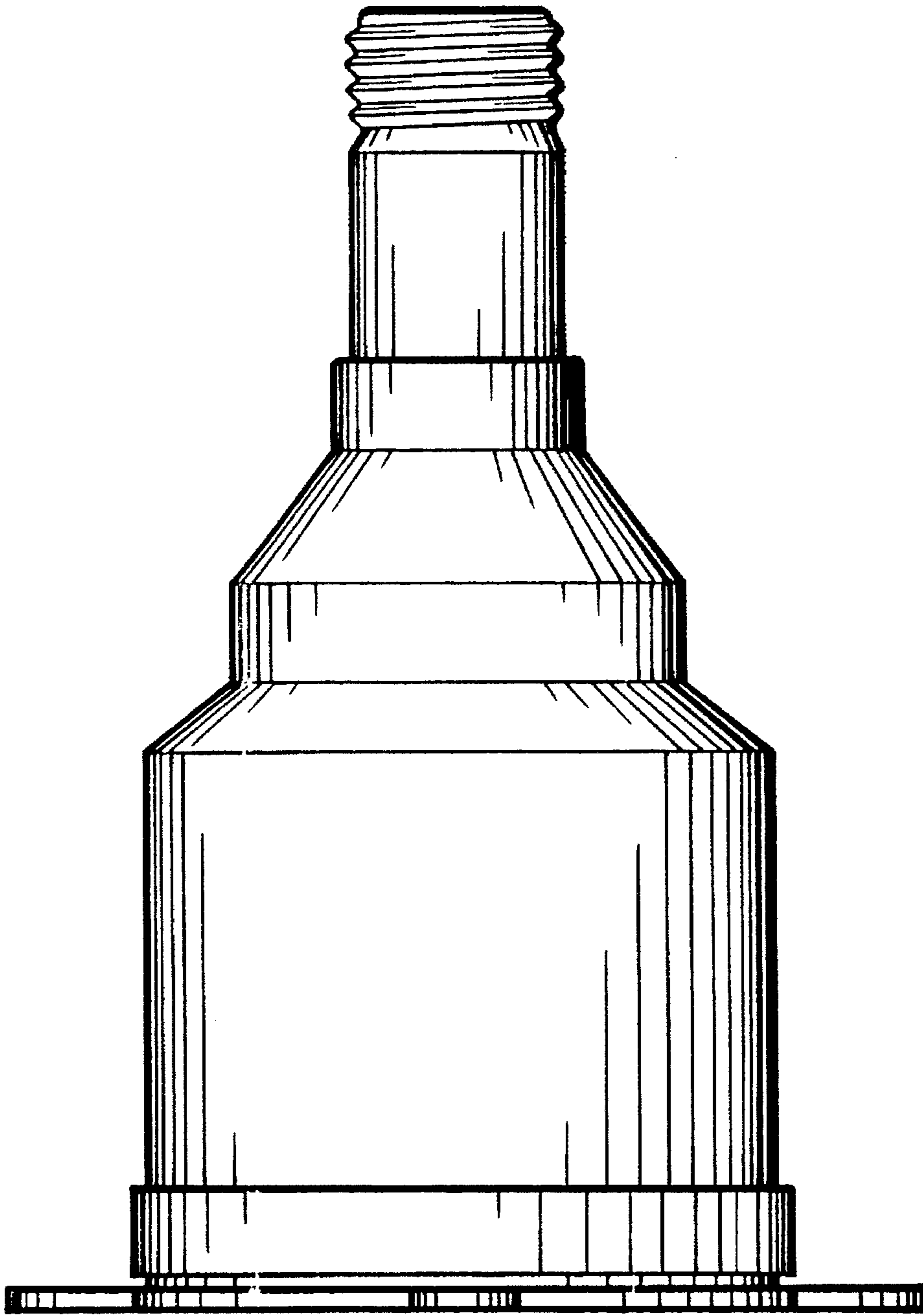


FIG. 3

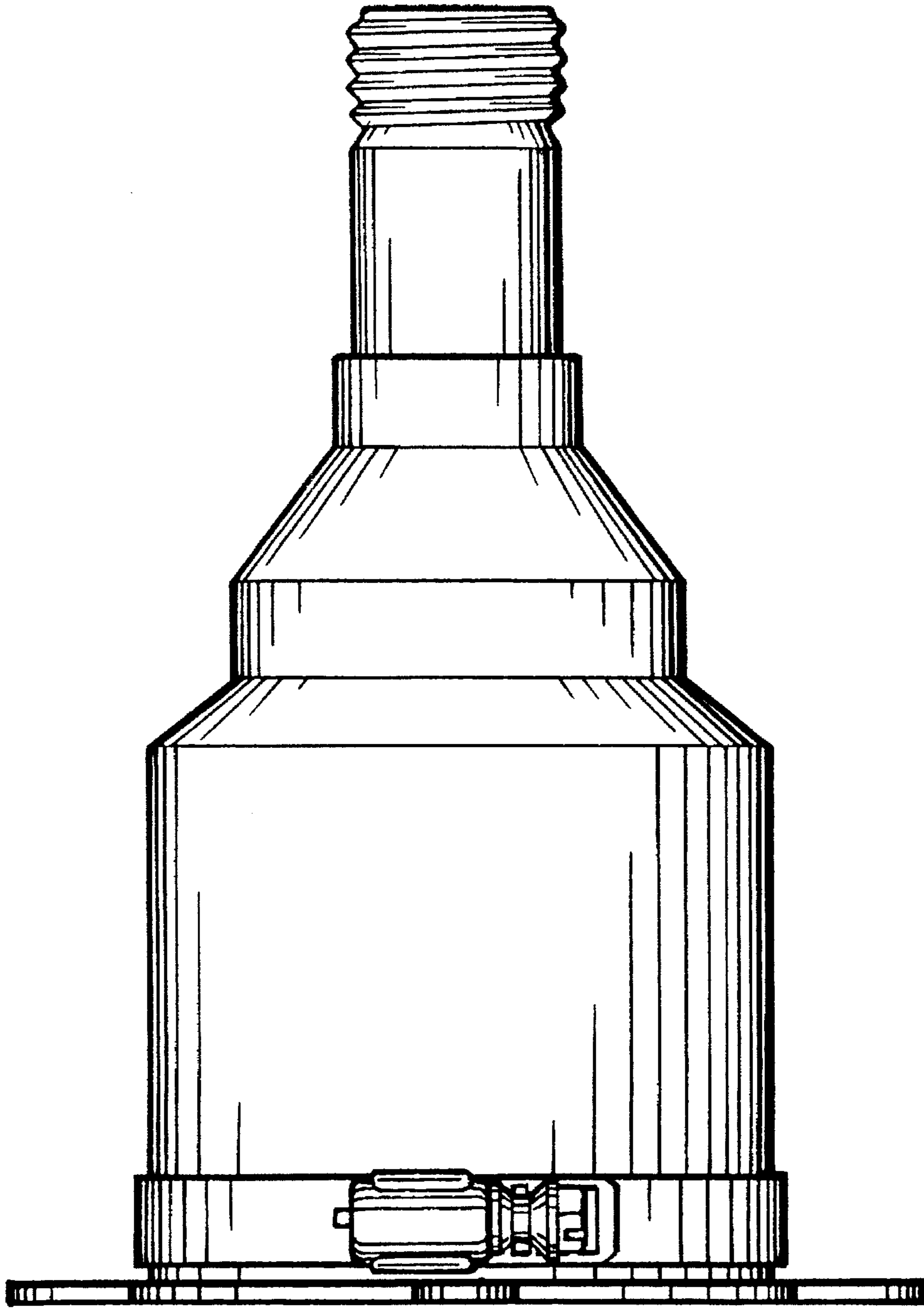


FIG. 4



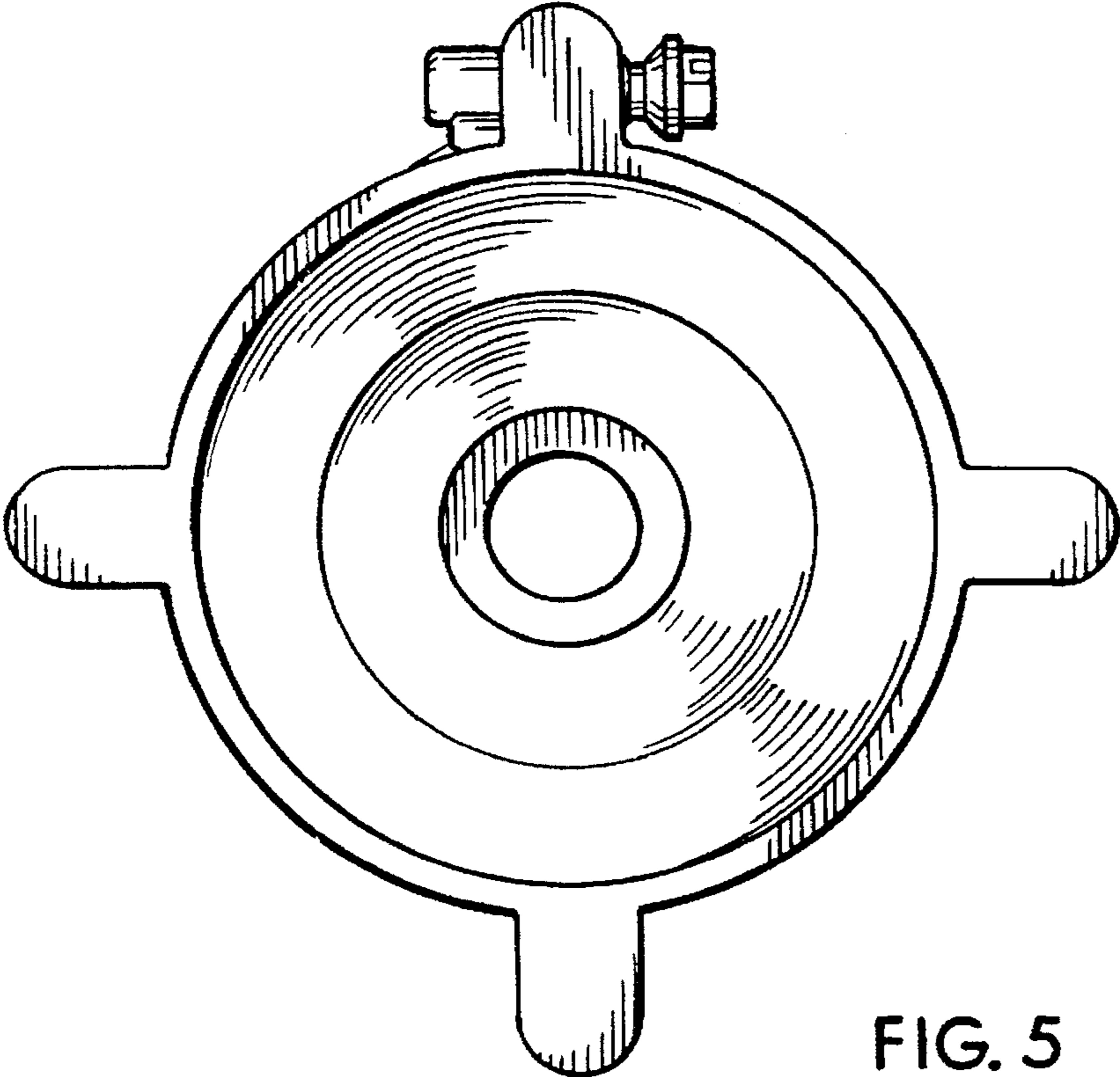


FIG. 5

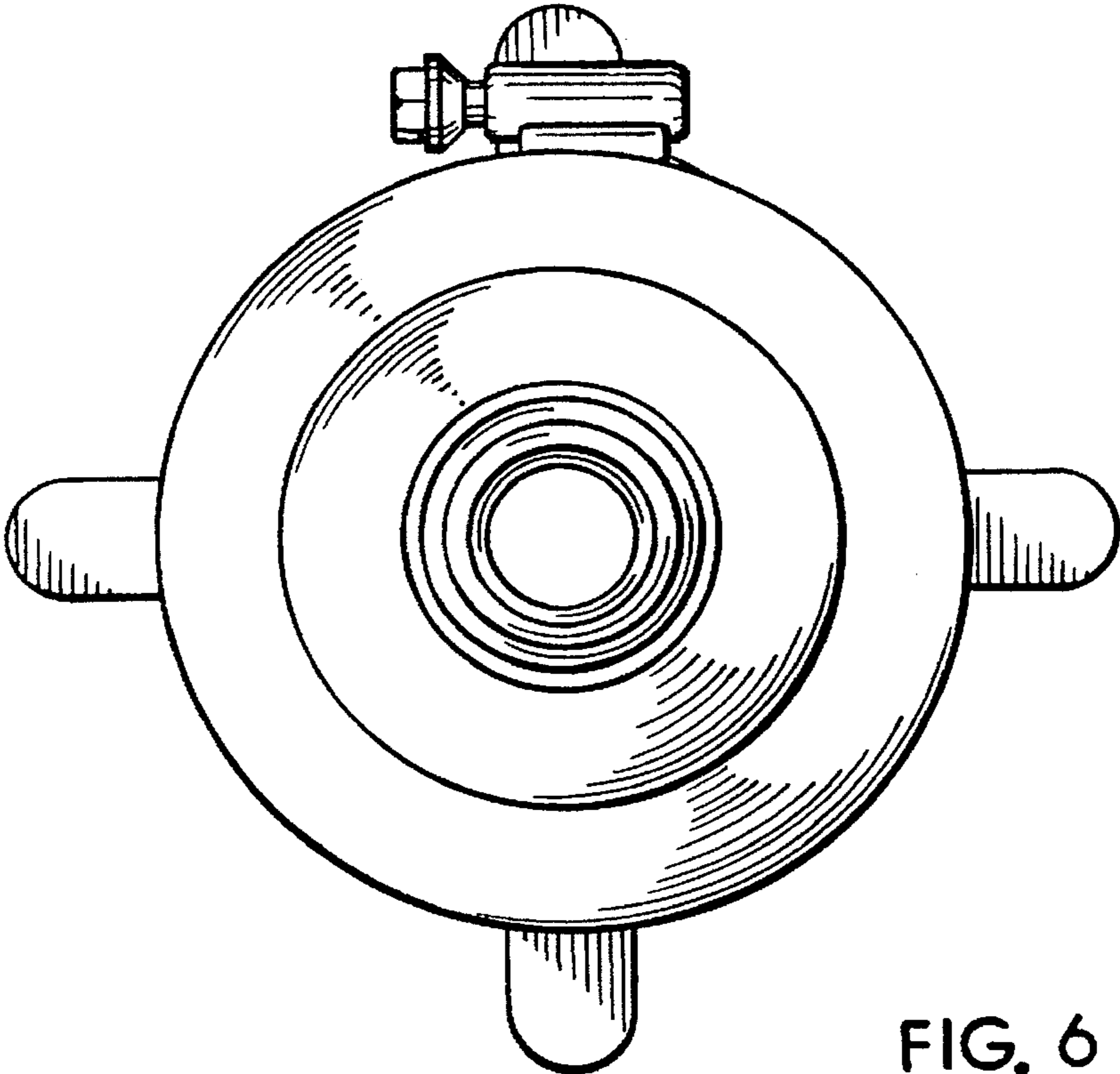


FIG. 6