



US00D381306S

United States Patent [19] Sauerwein

[11] Patent Number: **Des. 381,306**

[45] Date of Patent: ****Jul. 22, 1997**

[54] **PICKUP TRUCK CAB GUARD**

[76] Inventor: **Arthur F. Sauerwein, 2005**
Millville-Oxford Rd., Hamilton, Ohio
45013

[**] Term: **14 Years**

[21] Appl. No.: **33,632**

[22] Filed: **Jan. 17, 1995**

[51] LOC (6) Cl. **12-16**

[52] U.S. Cl. **D12/190**

[58] Field of Search D12/190, 167;
280/770, 762; 296/1.1, 43

[56] **References Cited**

U.S. PATENT DOCUMENTS

D. 337,556	7/1993	Gros	D12/167
3,704,794	12/1972	Flamm	214/85
3,907,057	9/1975	Reddekopp	180/64 A
4,425,002	1/1984	Coleman et al.	298/1 R
4,564,216	1/1986	Kinyon et al.	280/770

4,611,824	9/1986	McIntosh	280/748
4,953,908	9/1990	Dondlinger	296/1.1 X
5,035,458	7/1991	Boensch	280/748 X
5,258,893	11/1993	Finneyfrock	362/61

Primary Examiner—B. J. Bullock
Assistant Examiner—Stacia Sinuik
Attorney, Agent, or Firm—Porter, Wright, Morris & Arthur

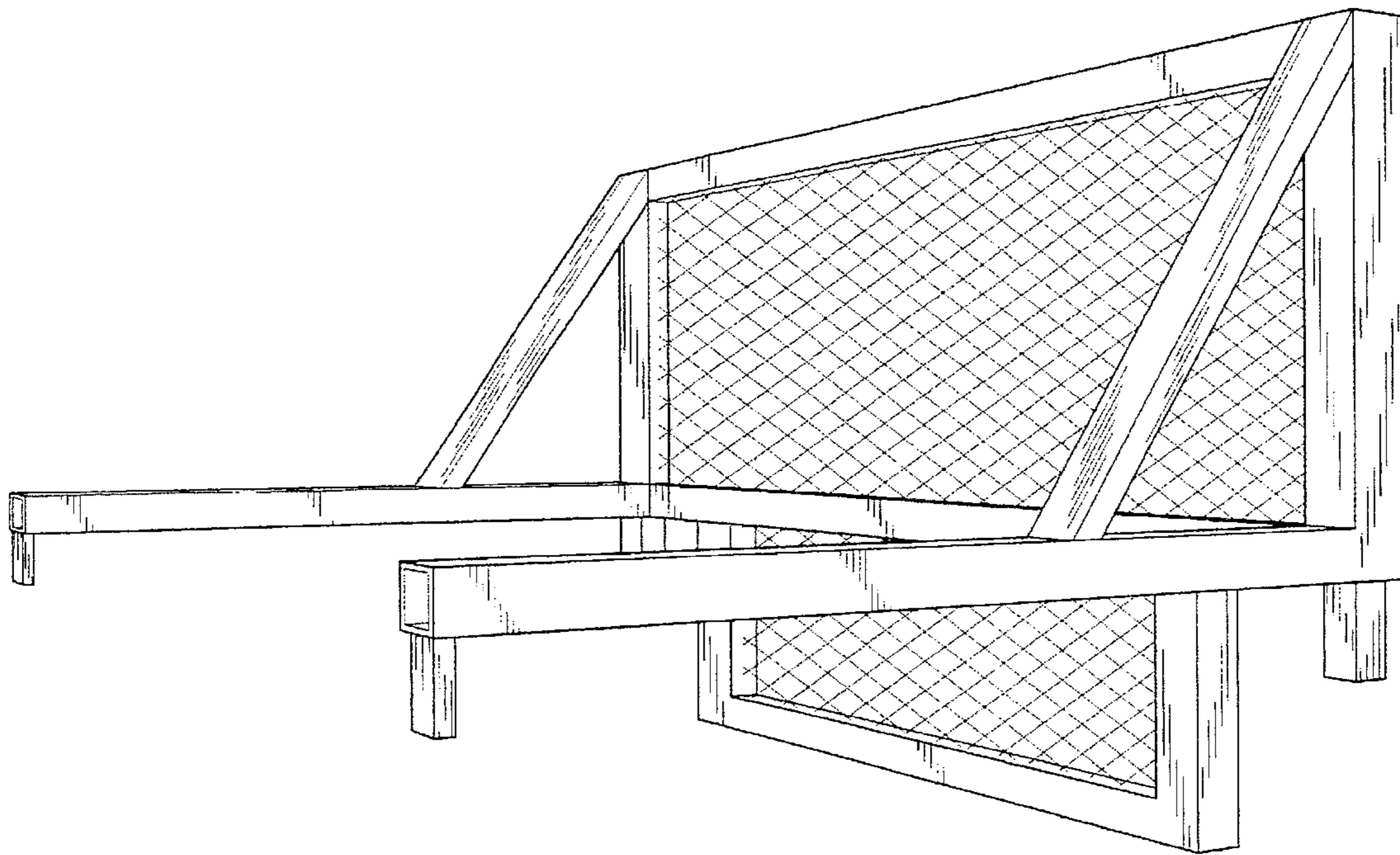
[57] **CLAIM**

The ornamental design for a pickup truck cab guard, as shown and described.

DESCRIPTION

FIG. 1 is a perspective view from the rear and one side of a pickup truck cab guard showing my new design; FIG. 2 is a rear view thereof on a reduced scale; FIG. 3 is a left side view thereof on a reduced scale, it being understood that the opposite side is a mirror image of the side shown; and, FIG. 4 is a top plan view thereof.

1 Claim, 3 Drawing Sheets



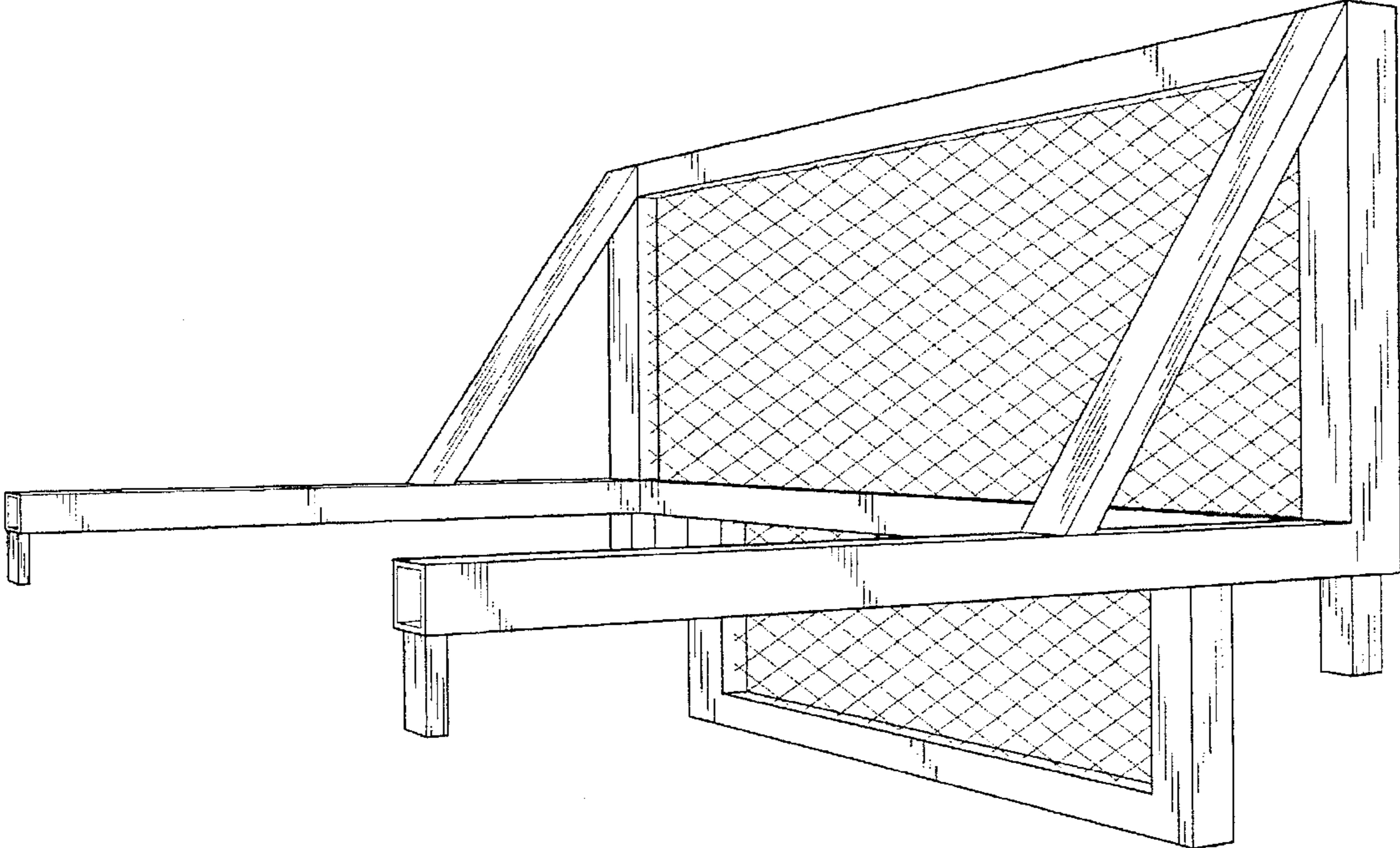


Figure 1

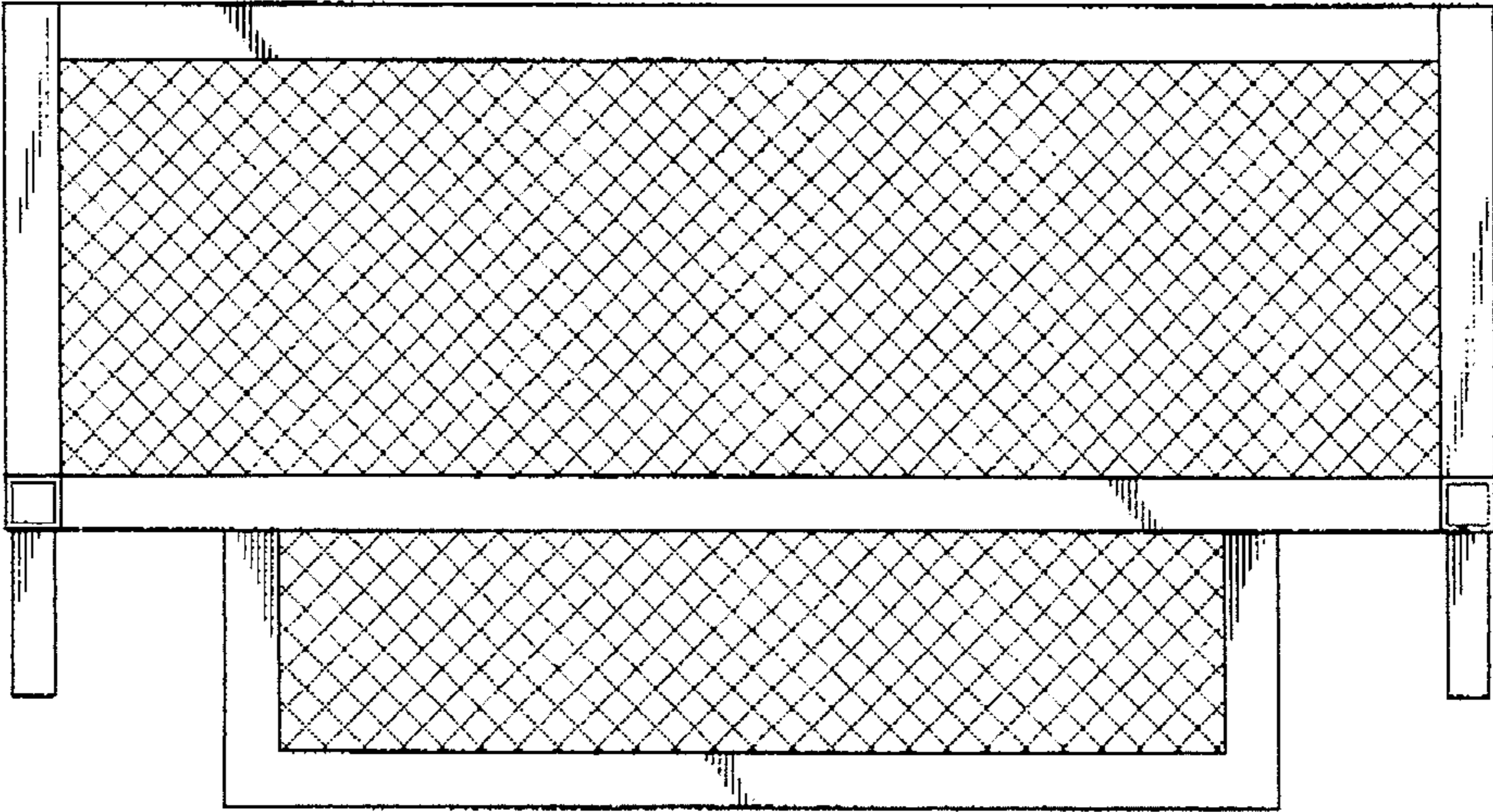


Figure 2

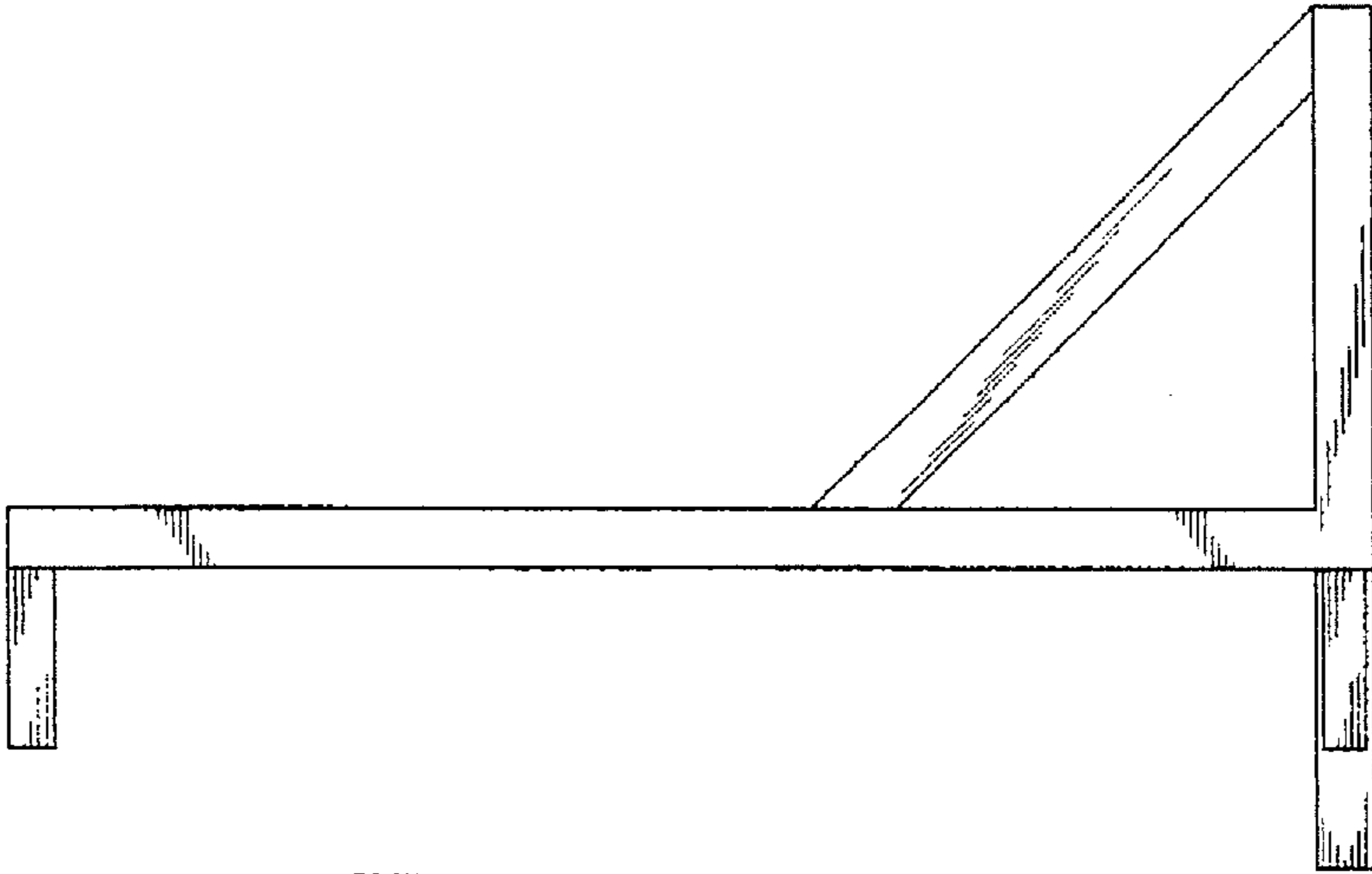


Figure 3

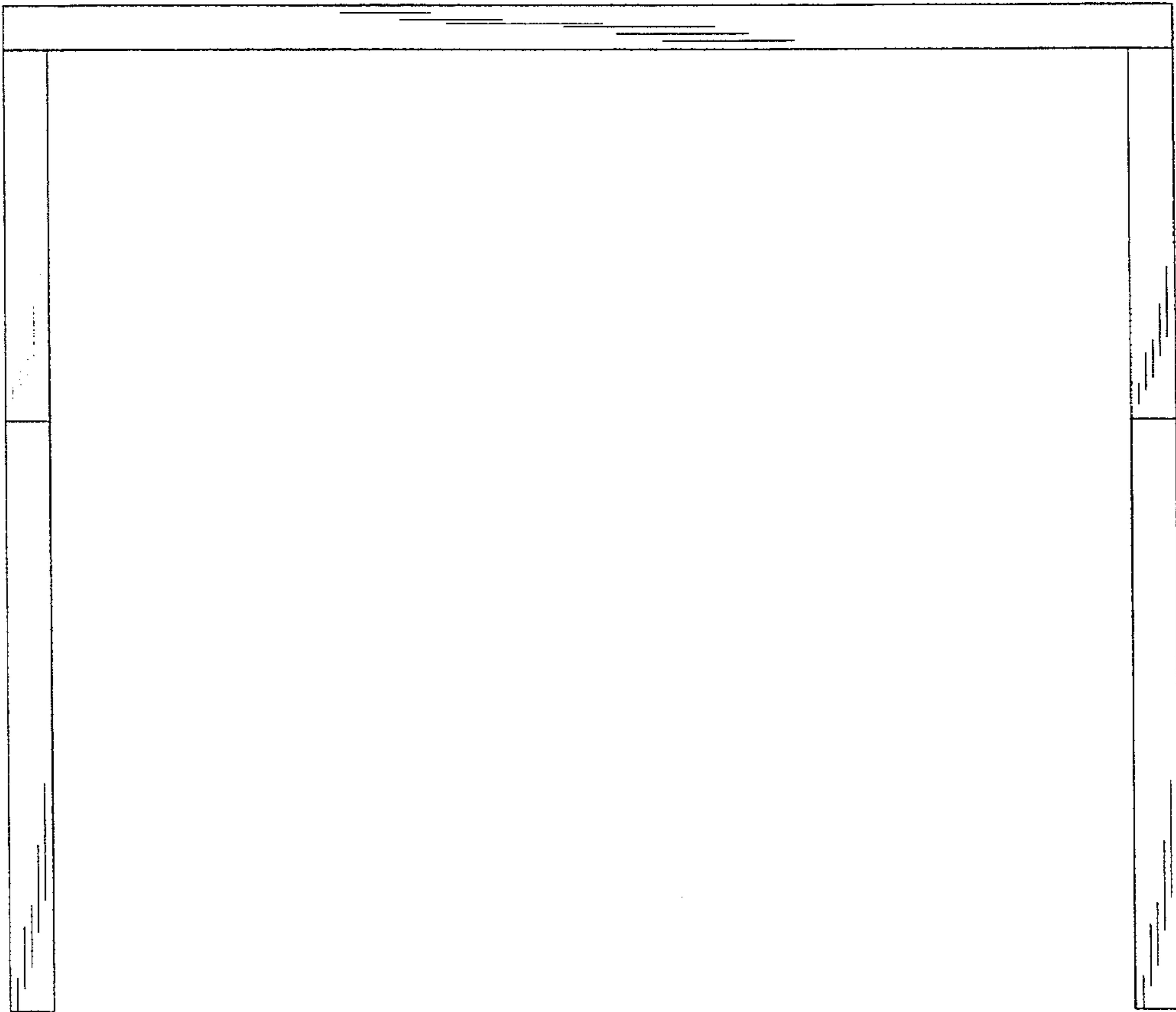


Figure 4