



US00D381304S

United States Patent [19]
Ruimi

[11] **Patent Number: Des. 381,304**
[45] **Date of Patent: **Jul. 22, 1997**

[54] **PORTABLE REAR WINDOW SUNSHADE**

DESCRIPTION

[75] Inventor: **Avi Ruimi**, Tarzana, Calif.
[73] Assignee: **Auto-Shade, Inc.**, Moorpark, Calif.
[**] Term: **14 Years**
[21] Appl. No.: **42,253**
[22] Filed: **Aug. 4, 1995**
[51] **LOC (6) Cl.** **12-16**
[52] **U.S. Cl.** **D12/183**
[58] **Field of Search** D12/183, 191,
D12/400, 401; 150/166, 168; 160/370.21,
DIG. 2, DIG. 3; 296/97.1, 97.7, 97.8

[56] **References Cited**

U.S. PATENT DOCUMENTS

D. 330,653	11/1992	Zheng	D6/491
2,625,217	1/1953	Spiller et al.	160/370.21 X
4,399,347	8/1983	Schmitt	160/DIG. 2 X
4,943,103	7/1990	Rosen	296/97.1
5,379,822	1/1995	Lenetz	160/370.21

Primary Examiner—A. Hugo Word
Assistant Examiner—Lavone D. Tabor
Attorney, Agent, or Firm—Lewis Anten, Esq.; Amedo Ferraro, Esq.

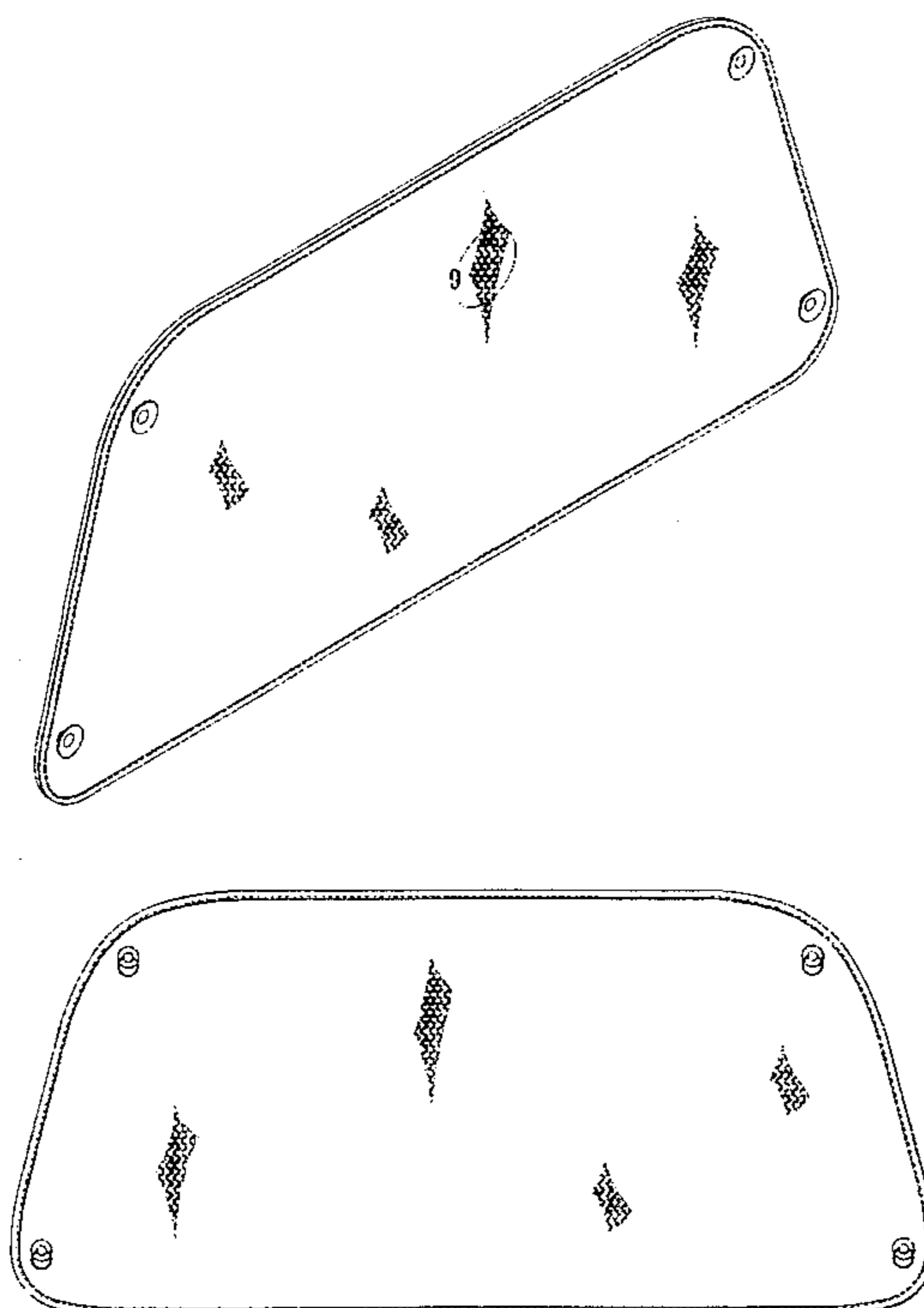
[57] **CLAIM**

The ornamental design for a portable rear window sunshade, as shown and described.

FIG. 1 is a front perspective view of the portable rear window sunshade showing my new design;
FIG. 2 is a front elevational view thereof;
FIG. 3 is a right side elevational view thereof shown in a partially twisted condition;
FIG. 4 is a left side elevational view thereof shown in a partially twisted condition;
FIG. 5 is a rear elevational view thereof;
FIG. 6 is a top plan view thereof shown in a partially twisted condition;
FIG. 7 is a bottom plan view thereof shown in a partially twisted condition;
FIG. 8 is a perspective view thereof shown in folded condition;
FIG. 9 is an enlarged fragmentary view showing the material thereof; and
FIG. 10 is a perspective view of a second embodiment of the design that is shown in FIGS. 1-9 with the only difference residing in the appearance of the material.

The surface pattern that is shown on the front and rear of the design in FIGS. 1-8, is partially shown for ease of illustration and is understood to continue throughout the areas indicated.

1 Claim, 6 Drawing Sheets



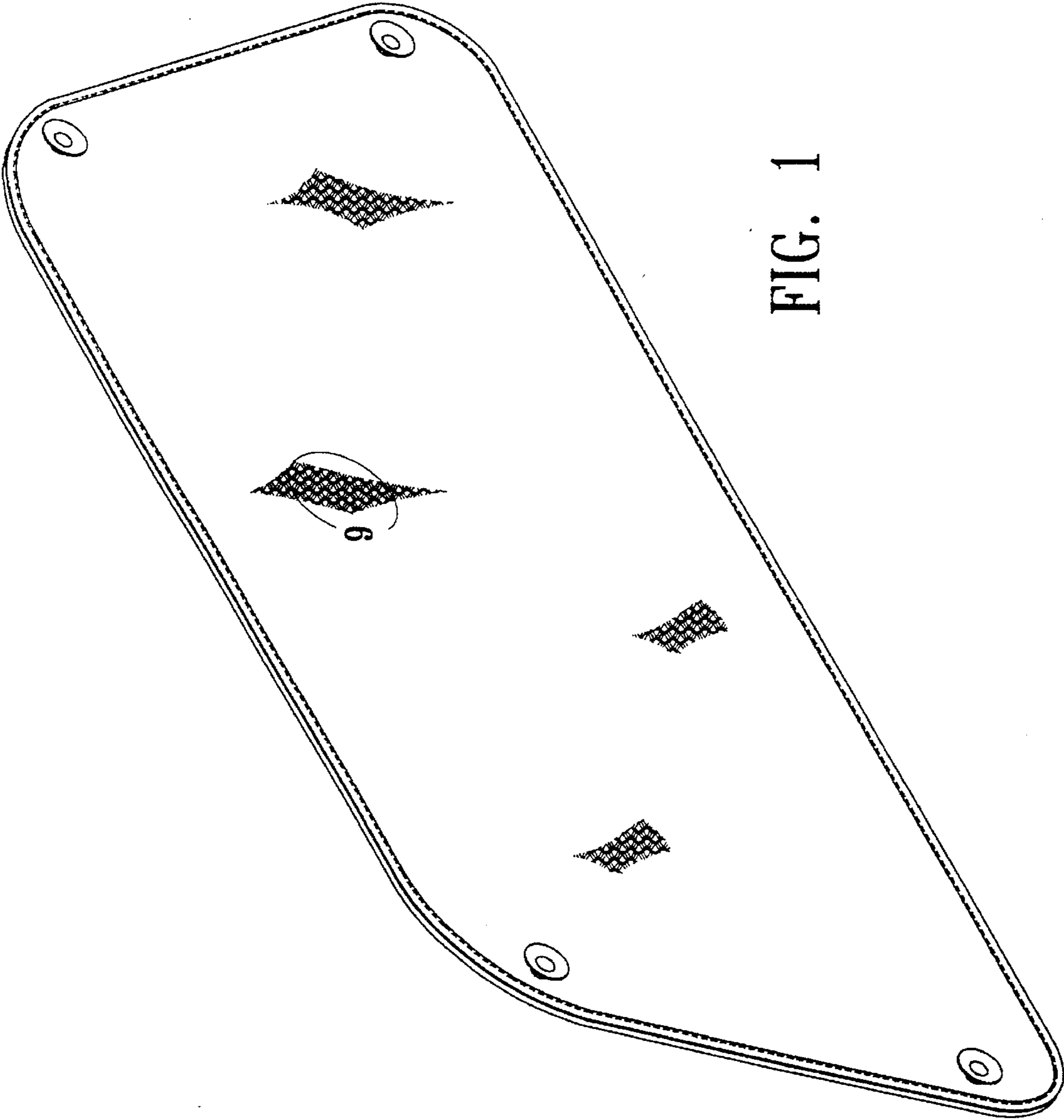


FIG. 1

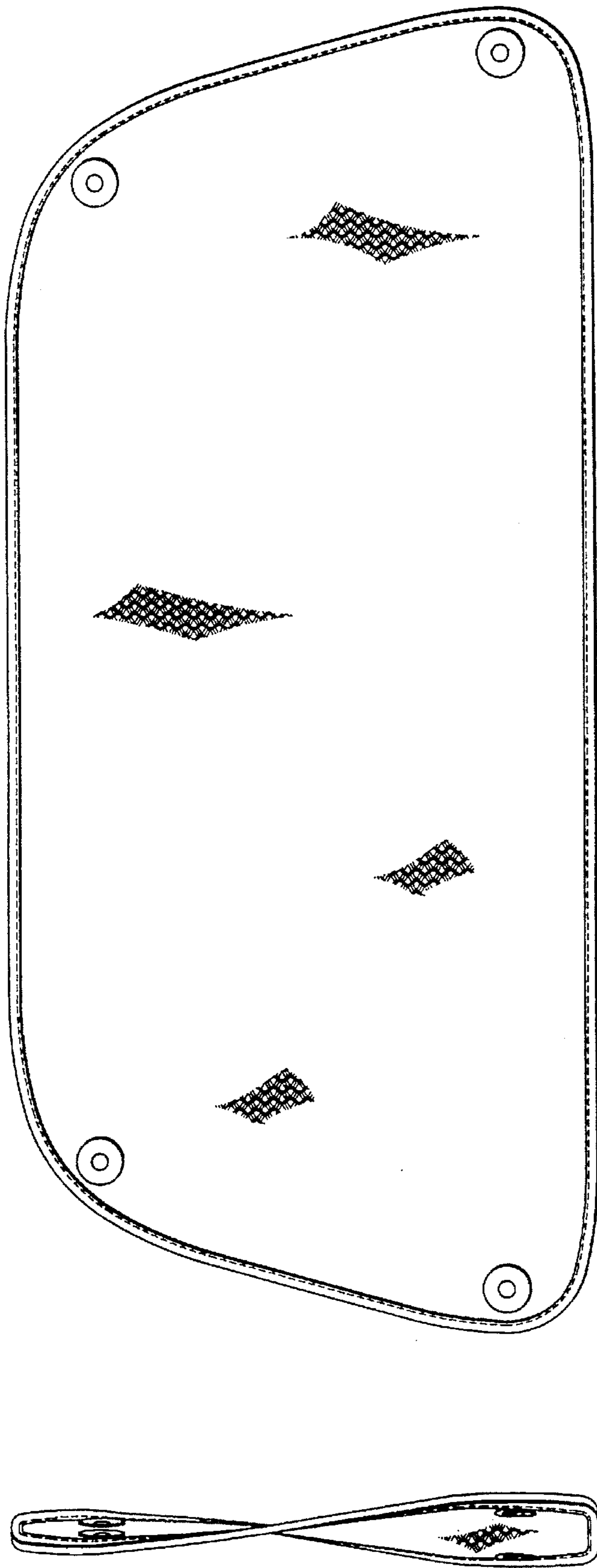


FIG. 2

FIG. 3

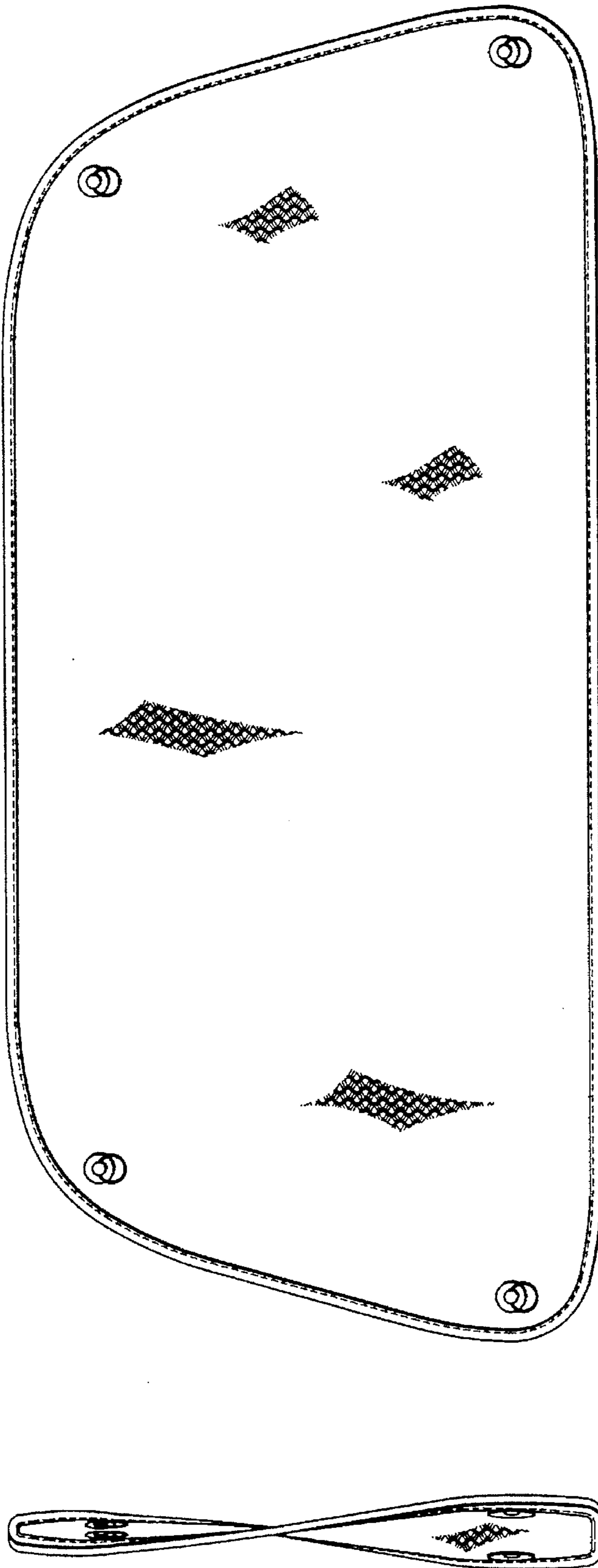


FIG. 5

FIG. 4



FIG. 6



FIG. 7

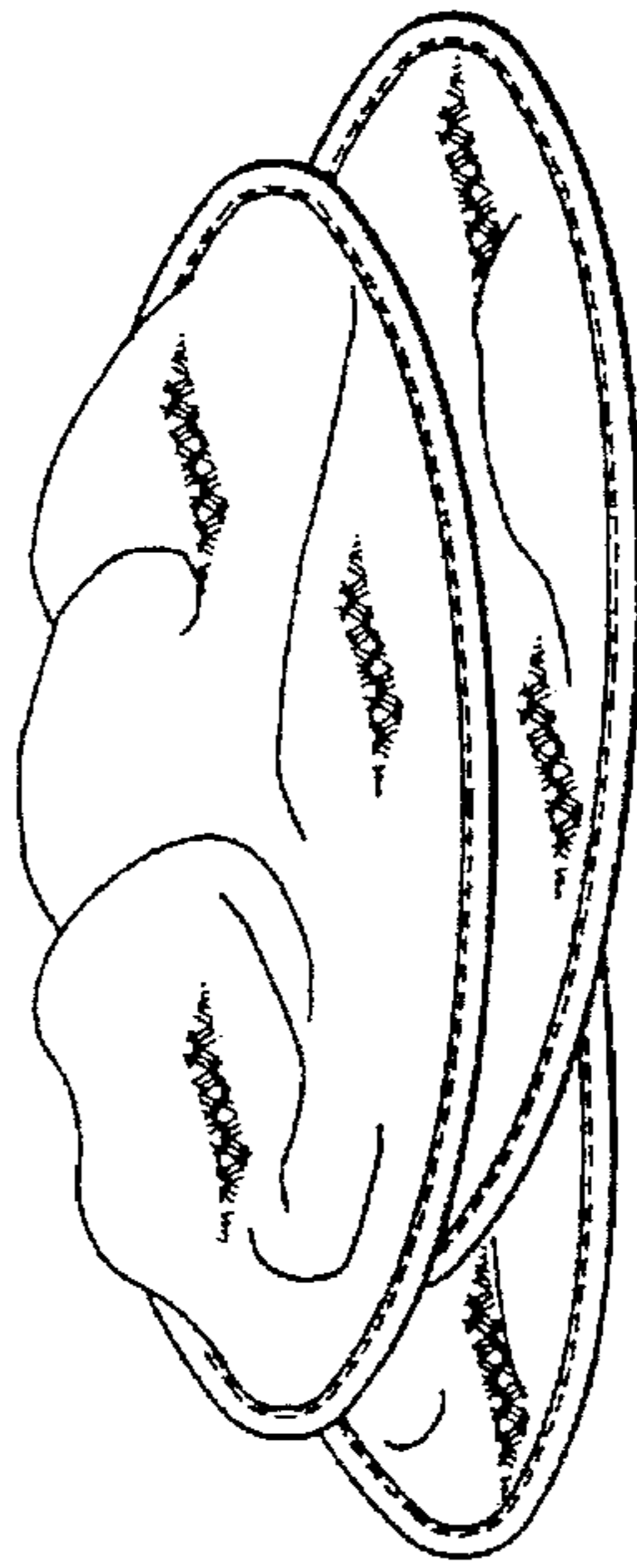


FIG. 8

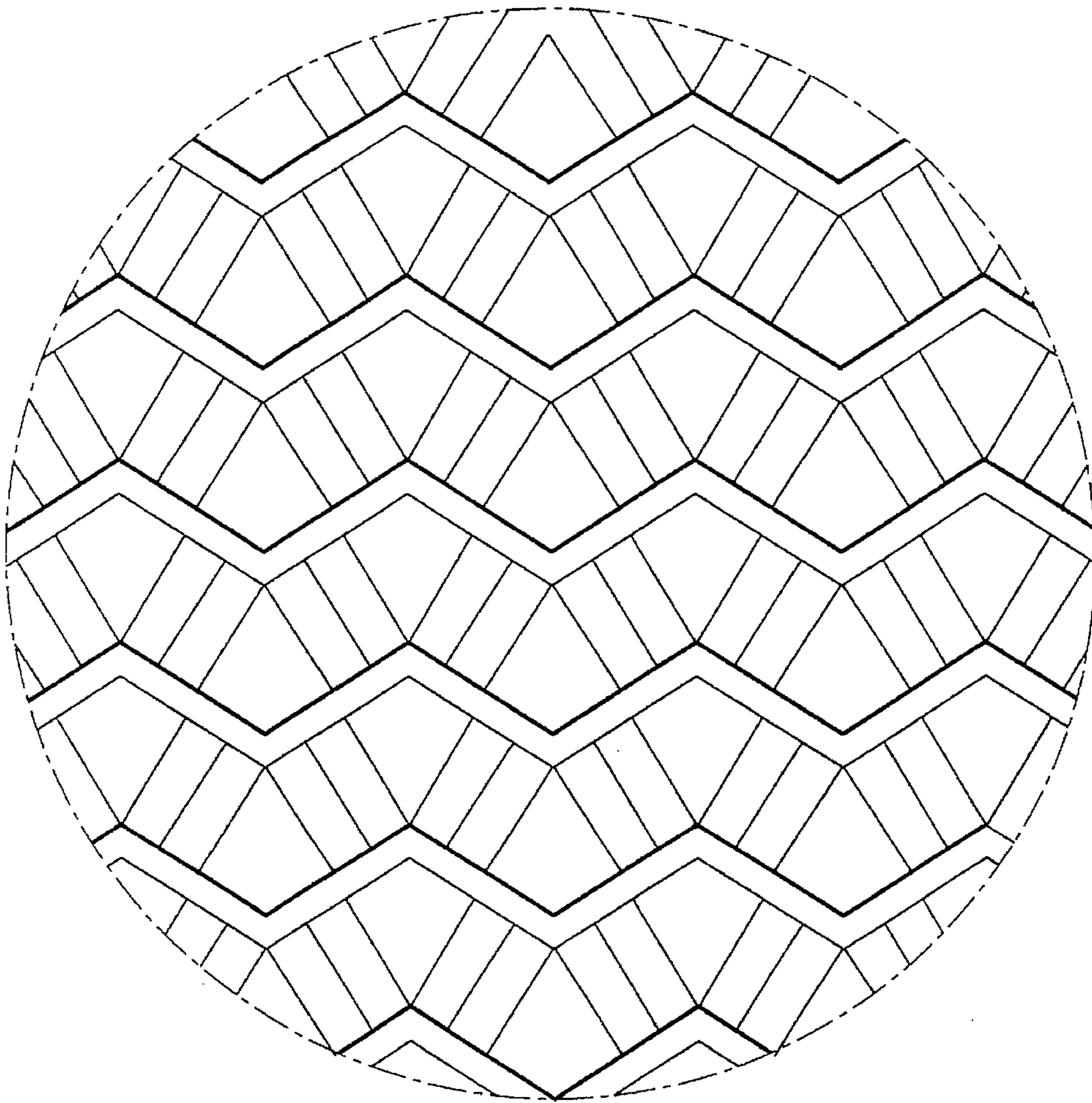


FIG. 9

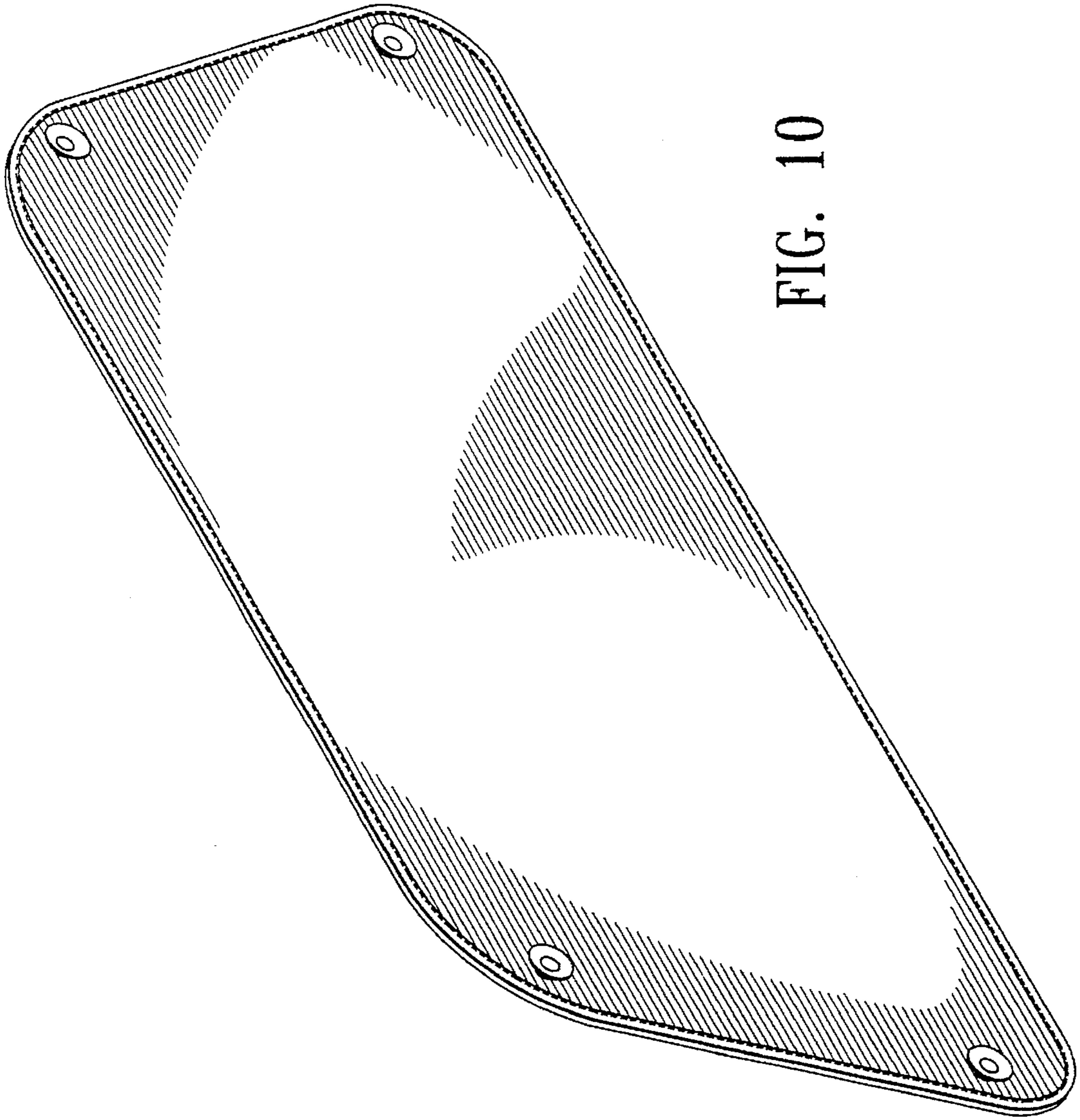


FIG. 10