



US00D381297S

United States Patent [19]
Eyman et al.

[11] **Patent Number:** **Des. 381,297**
[45] **Date of Patent:** ****Jul. 22, 1997**

[54] **SIX WHEEL STROLLER**

[75] Inventors: **David Eyman**, Cincinnati, Ohio;
Thomas J. Schmidlin, Newport, Ky.

[73] Assignee: **TRI Industries, Inc.**, Bloomington,
Minn.

[**] Term: **14 Years**

[21] Appl. No.: **41,571**

[22] Filed: **Jul. 18, 1995**

[51] **LOC (6) Cl.** **12-12**

[52] **U.S. Cl.** **D12/129**

[58] **Field of Search** **D12/129; 280/650,**
280/642, 643, 644, 647, 648, 649, 30

[56] **References Cited**

U.S. PATENT DOCUMENTS

- D. 204,254 4/1966 Cerf .
- D. 206,116 11/1966 Hughes .
- D. 274,714 7/1984 Cone .
- D. 290,825 7/1987 Mathies et al. .
- D. 297,525 9/1988 Baechler .
- D. 301,850 6/1989 Clement et al. .
- D. 315,885 4/1991 Jacobs .
- D. 362,832 10/1995 Haut et al. D12/129
- D. 363,260 10/1995 Huang D12/129
- D. 370,438 6/1996 Haut et al. D12/129
- 699,186 5/1902 Katzke .
- 716,972 12/1902 Whitmore et al. .
- 2,425,688 8/1947 Schulte .
- 2,455,119 11/1948 Hall .
- 2,781,225 2/1957 Heideman .
- 3,052,480 9/1962 Sanstrom .
- 3,110,504 11/1963 Myers .
- 3,305,244 2/1967 Flagg .
- 3,403,744 10/1968 Dinkel .
- 3,575,461 4/1971 Goldman et al. .
- 3,605,929 9/1971 Rolland .
- 3,656,777 4/1972 Keiser, Jr. .
- 3,698,502 10/1972 Patin .
- 3,712,636 1/1973 Gesslein .
- 3,781,031 12/1973 Patin .
- 3,848,890 11/1974 MacAlpine .
- 3,873,116 3/1975 Perego .
- 3,877,723 4/1975 Fabey et al. .

- 3,909,043 9/1975 Black .
- 4,029,329 6/1977 Chambers .
- 4,064,957 12/1977 Parham .
- 4,072,318 2/1978 Laune .
- 4,166,630 9/1979 Sullivan et al. .
- 4,181,317 1/1980 Toda .
- 4,325,449 4/1982 D'Addio et al. .
- 4,335,900 6/1982 Fleischer .
- 4,346,912 8/1982 Habib .
- 4,353,567 10/1982 Weldy .
- 4,361,338 11/1982 Kuchenbecker et al. .
- 4,369,987 1/1983 Witherell .
- 4,373,740 2/1983 Hendrix .

(List continued on next page.)

FOREIGN PATENT DOCUMENTS

- 2579544 10/1986 France .
- 213538 9/1909 Germany .
- 2348716 7/1974 Germany .
- 2741543 6/1978 Germany .
- 3435575 4/1986 Germany .
- 851163 10/1960 United Kingdom .
- 2099765 12/1982 United Kingdom .
- 2204282 11/1988 United Kingdom .

OTHER PUBLICATIONS

Cannondale Bicycle Trailer Seat 280/284 Oct. 10, 1990.

Primary Examiner—Kay H. Chin

Attorney, Agent, or Firm—Palmatier, Sjoquist, Helget & Voigt, P.A.

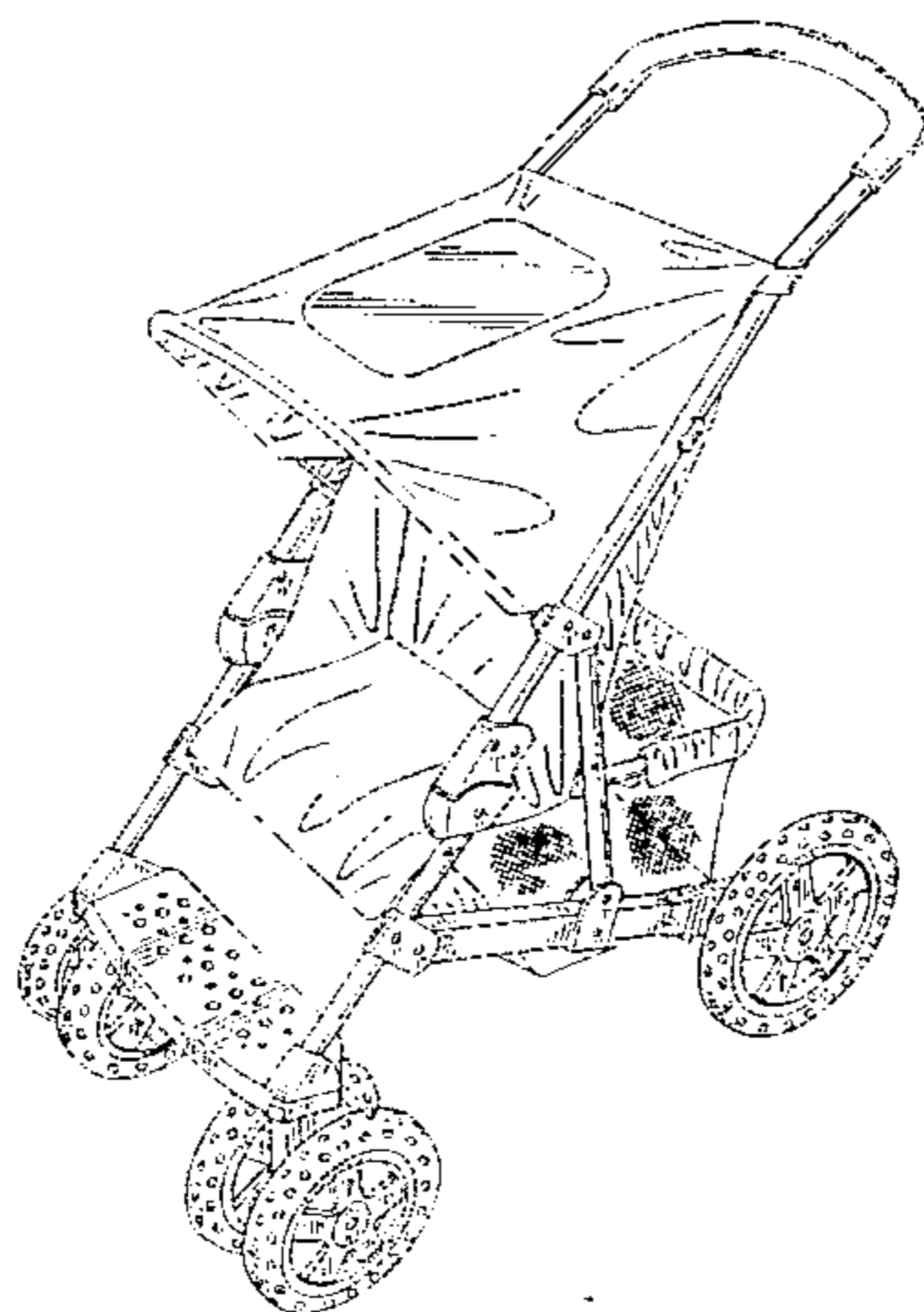
[57] **CLAIM**

The ornamental design for a six wheel stroller, as shown and described.

DESCRIPTION

FIG. 1 is a perspective view of a six wheel stroller showing our new design;
FIG. 2 is a side elevational view with the opposite side being a mirror image;
FIG. 3 is a front elevational view;
FIG. 4 is a rear elevational view;
FIG. 5 is a top plan view; and
FIG. 6 is a bottom plan view.

1 Claim, 6 Drawing Sheets



U.S. PATENT DOCUMENTS

| | | | | | |
|-----------|---------|-----------------------|-----------|---------|--------------------|
| 4,403,673 | 9/1983 | Ball . | 4,993,743 | 2/1991 | Takahashi et al. . |
| 4,408,776 | 10/1983 | Randolph et al. . | 5,029,891 | 7/1991 | Jacobs . |
| 4,422,663 | 12/1983 | Hon . | 5,039,120 | 8/1991 | Stowe . |
| 4,526,390 | 7/1985 | Skolnik . | 5,076,599 | 12/1991 | Lockett et al. . |
| 4,542,915 | 9/1985 | Wheeler, III et al. . | 5,087,066 | 2/1992 | Mong-Hsing . |
| 4,586,721 | 5/1986 | Harada et al. . | 5,123,670 | 6/1992 | Chen . |
| 4,606,550 | 8/1986 | Cone . | 5,176,395 | 1/1993 | Garforth-Bles . |
| 4,618,184 | 10/1986 | Harvey . | 5,205,577 | 4/1993 | Liu . |
| 4,632,420 | 12/1986 | Miyagi . | 5,207,439 | 5/1993 | Mortenson . |
| 4,741,551 | 5/1988 | Perego . | 5,257,799 | 11/1993 | Cone et al. . |
| 4,756,541 | 7/1988 | Albitre . | 5,259,634 | 11/1993 | Berner et al. . |
| 4,828,278 | 5/1989 | Nakao et al. . | 5,265,891 | 11/1993 | Diehl . |
| 4,831,689 | 5/1989 | Lo . | 5,301,963 | 4/1994 | Chen . |
| 4,902,027 | 2/1990 | Skelly . | 5,308,096 | 5/1994 | Smith . |
| 4,934,728 | 6/1990 | Chen . | 5,356,171 | 10/1994 | Schmidlin et al. . |
| 4,953,880 | 9/1990 | Sudakoff et al. . | 5,460,395 | 10/1995 | Chen . |
| | | | 5,522,614 | 6/1996 | Eyman et al. . |

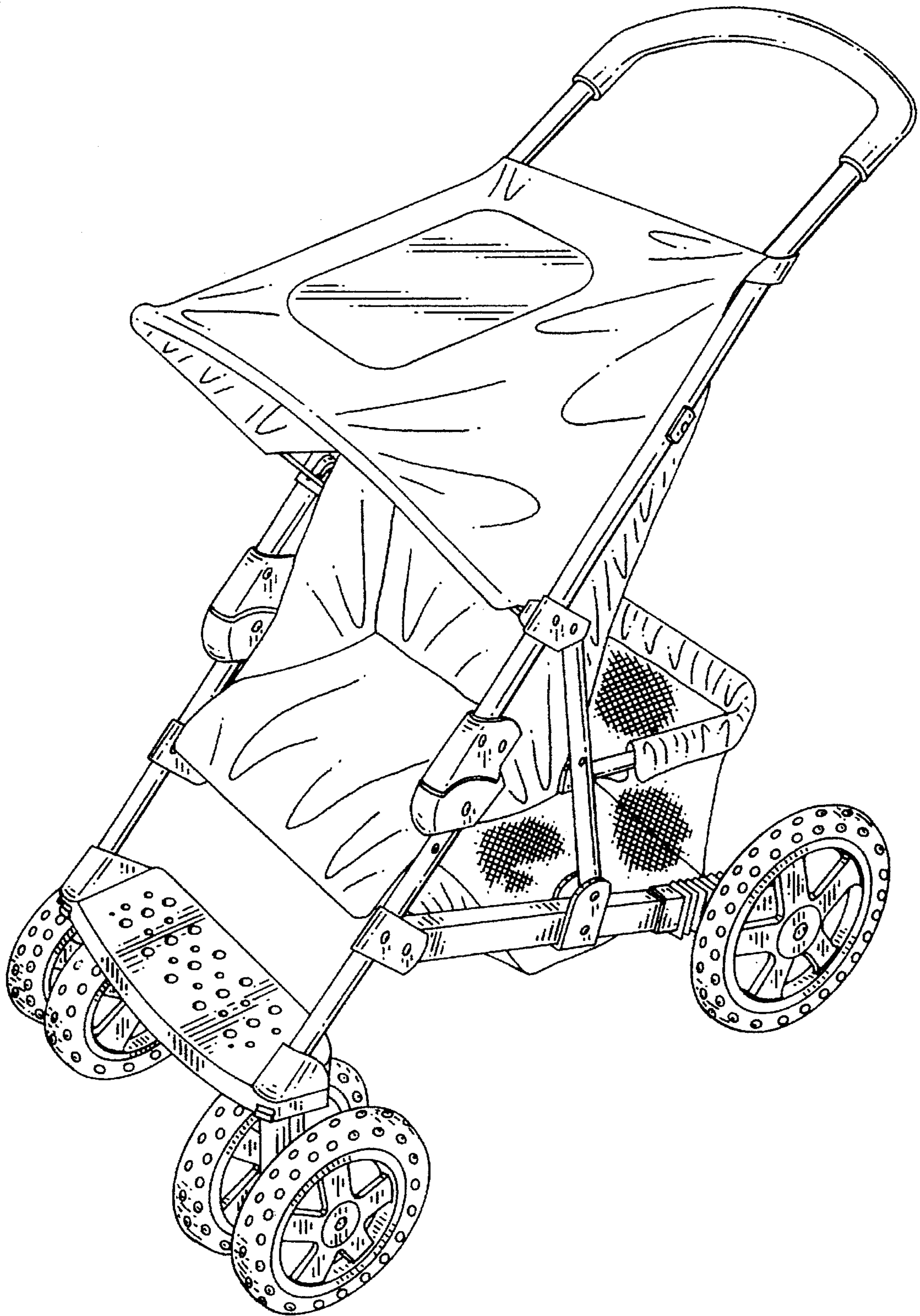


FIG. 1

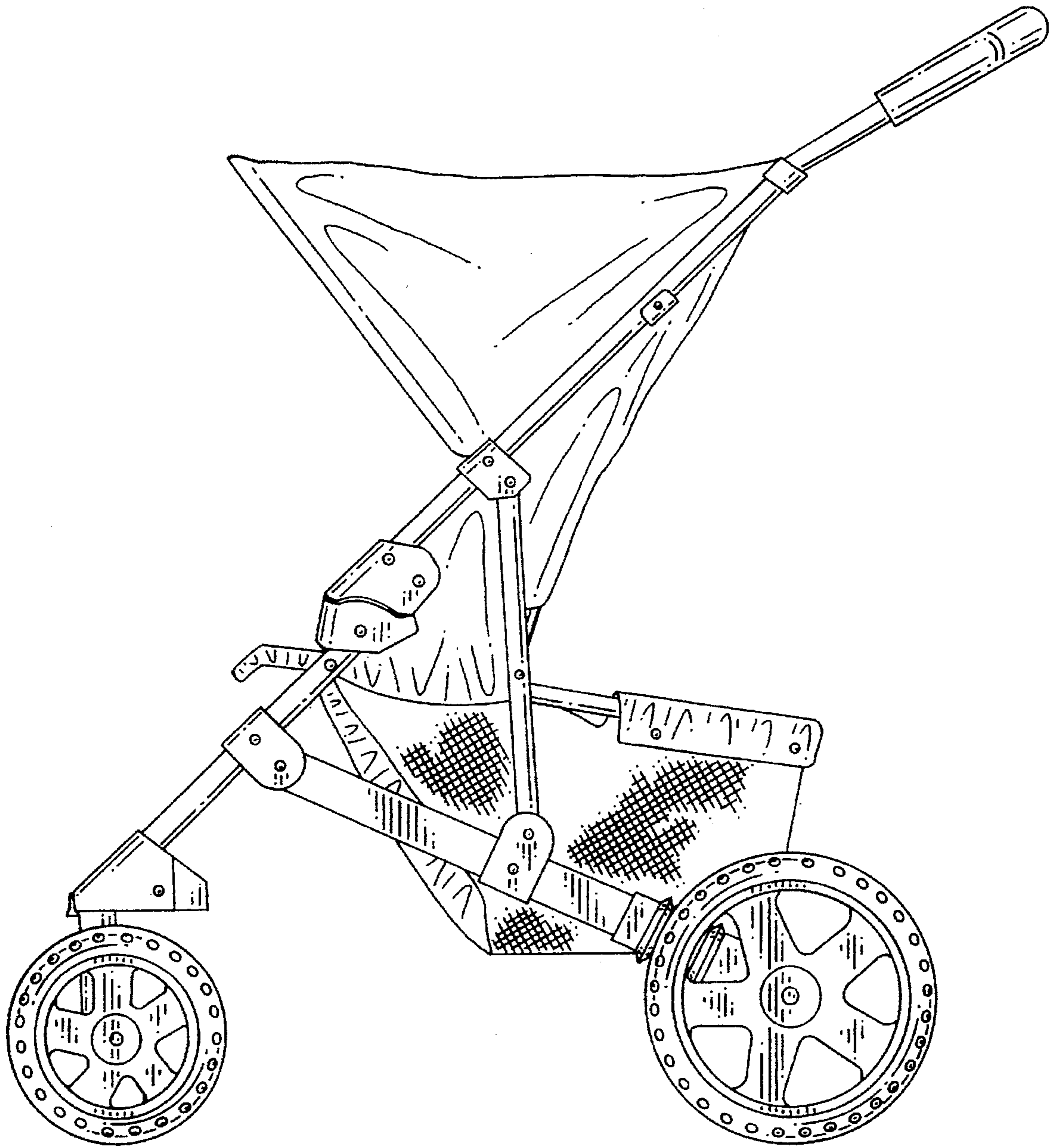


FIG. 2

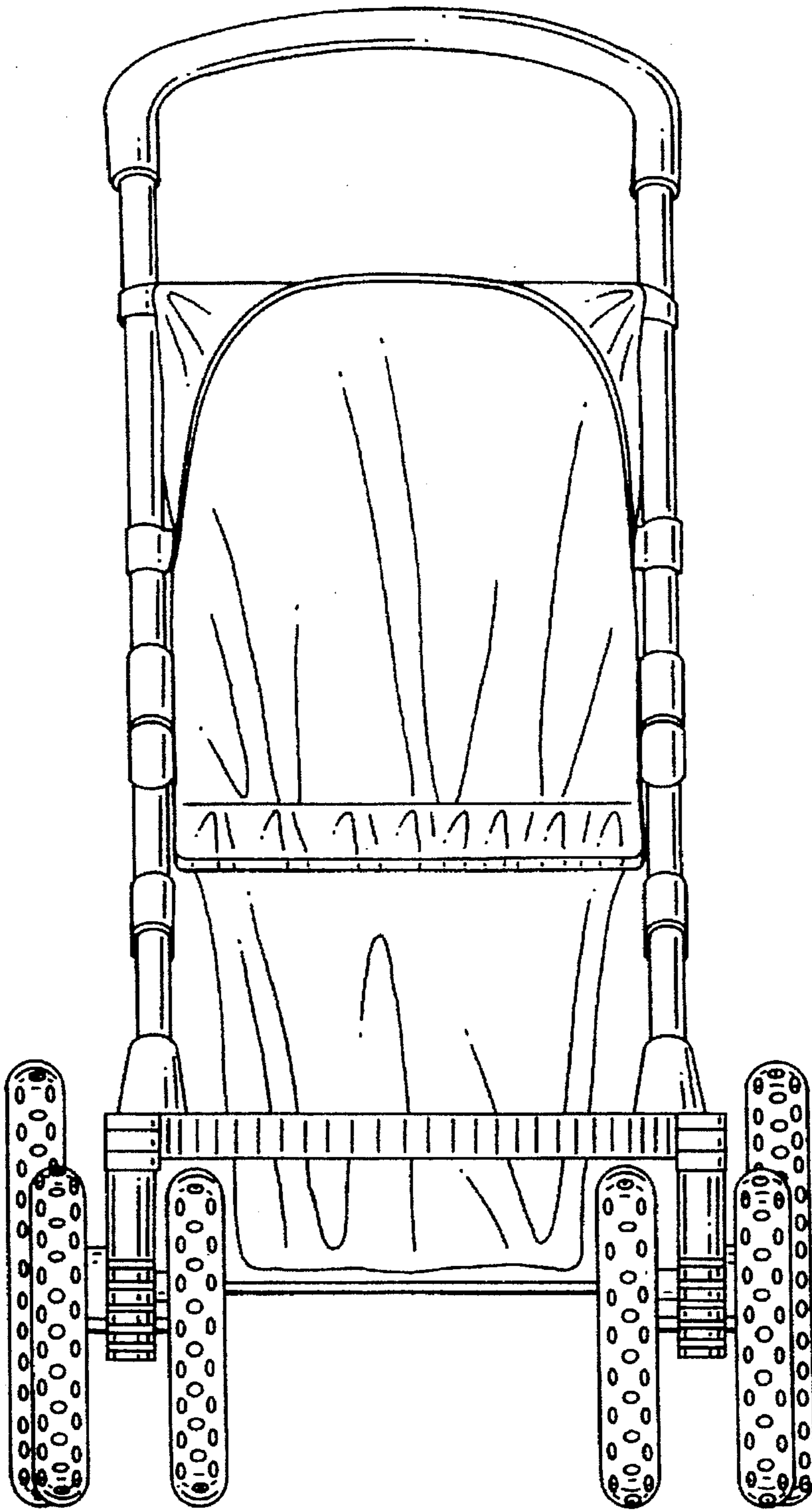


FIG. 3

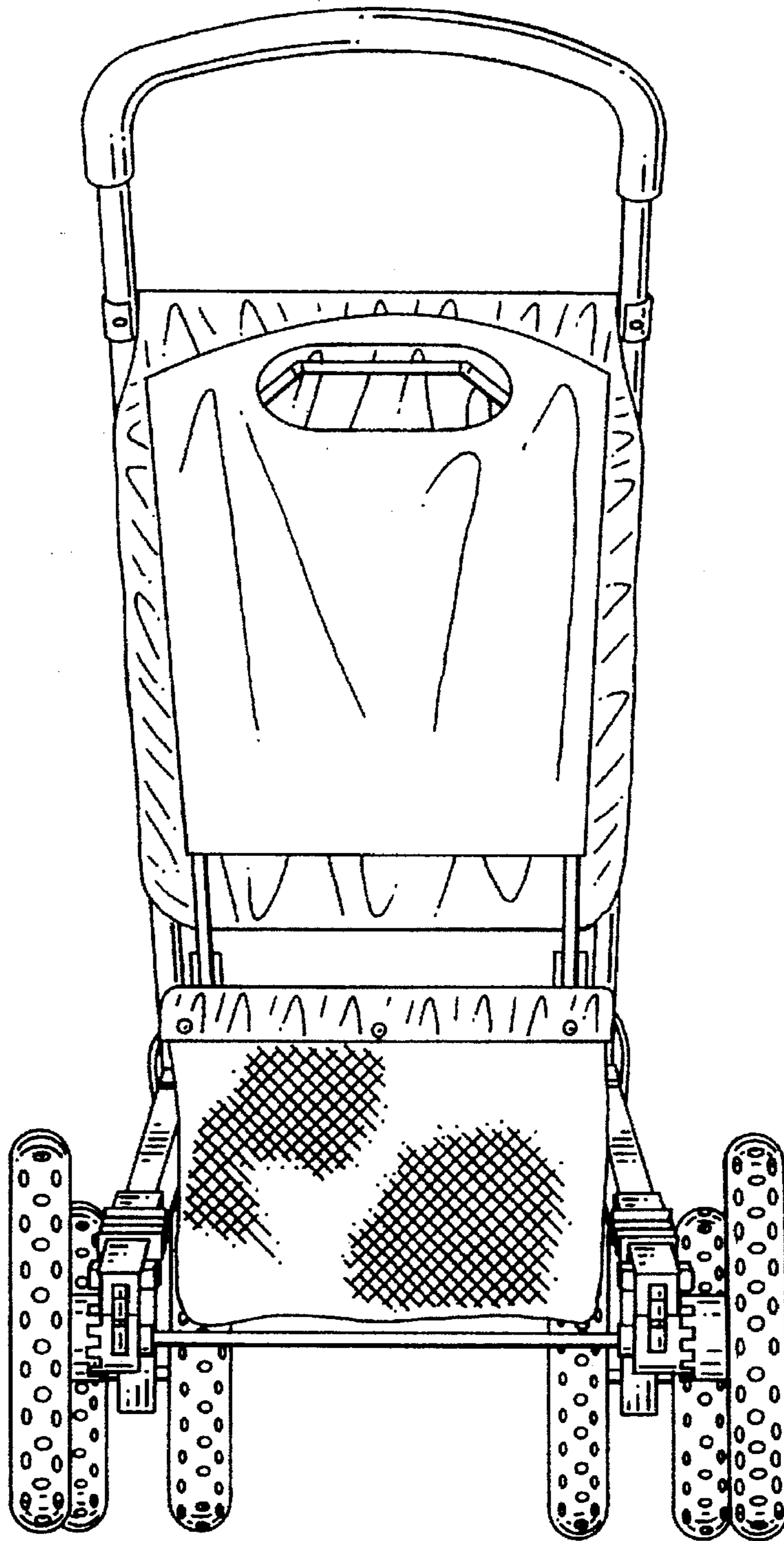


FIG. 4

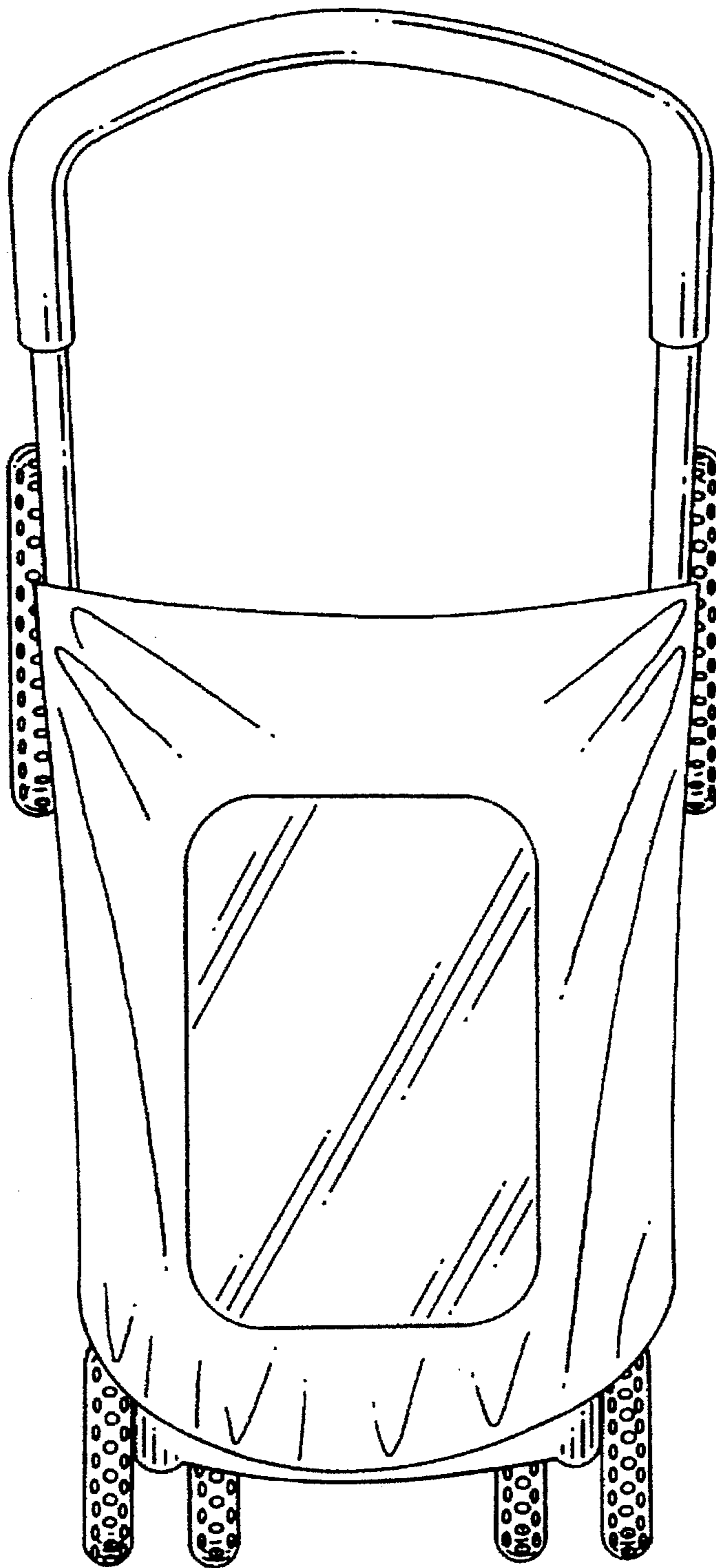


FIG. 5

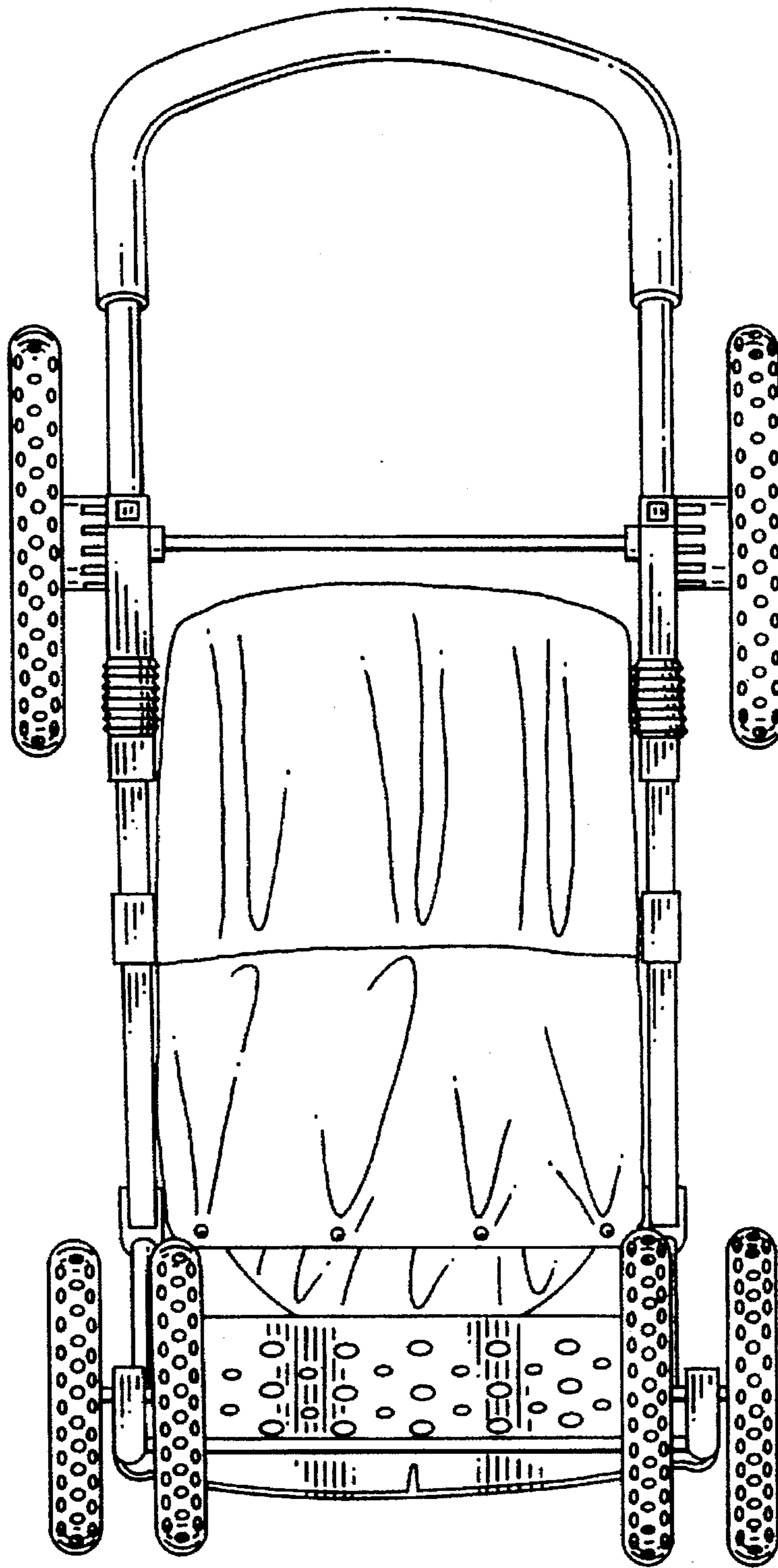


FIG. 6