



US00D381293S

United States Patent [19]
Cheng

[11] **Patent Number: Des. 381,293**

[45] **Date of Patent: **Jul. 22, 1997**

[54] **ELECTRIC SCOOTER**

[76] **Inventor: Ming-Chuan Cheng**, No. 9, Industry Dist., 36 Road, Taichung, Taiwan

[**] **Term: 14 Years**

[21] **Appl. No.: 32,489**

[22] **Filed: Dec. 20, 1994**

[51] **LOC (6) Cl. 12-08**

[52] **U.S. Cl. D12/85; D12/1**

[58] **Field of Search D12/110.1, 107.1, D12/85, 131; 2890/DIG. 5; 180/211, 215, 216, 907, 65.1, 231**

[56] **References Cited**

U.S. PATENT DOCUMENTS

- D. 303,101 8/1989 Shepard et al. D12/131
- D. 321,678 11/1991 Blount et al. D12/131
- D. 322,049 12/1991 Soman et al. D12/85

- D. 322,050 12/1991 Katouka et al. D12/1
- D. 322,051 12/1991 Kataska et al. D12/1
- D. 325,892 5/1992 Nesteruk et al. D12/85

Primary Examiner—Melody N. Brown
Attorney, Agent, or Firm—Bacon & Thomas

[57] **CLAIM**

The ornamental design for an electrical scooter, as shown and described.

DESCRIPTION

FIG. 1 is a left front perspective view of an electric scooter showing my new design;

FIG. 2 is a front elevational view thereof;

FIG. 3 is a rear elevational view thereof;

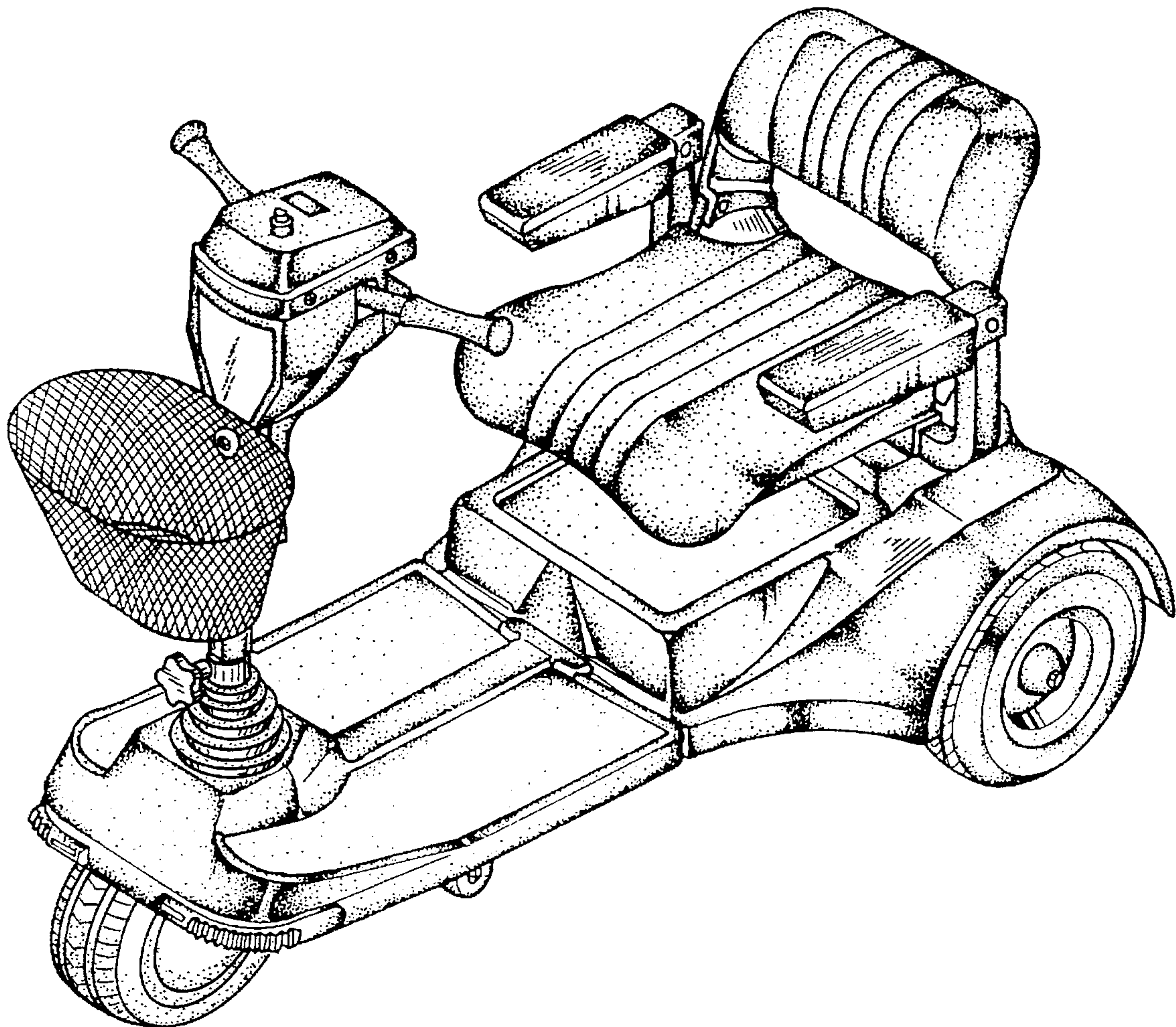
FIG. 4 is a left side elevational view thereof;

FIG. 5 is a right side elevational view thereof;

FIG. 6 is a top plan view thereof; and,

FIG. 7 is a bottom plan view thereof.

1 Claim, 7 Drawing Sheets



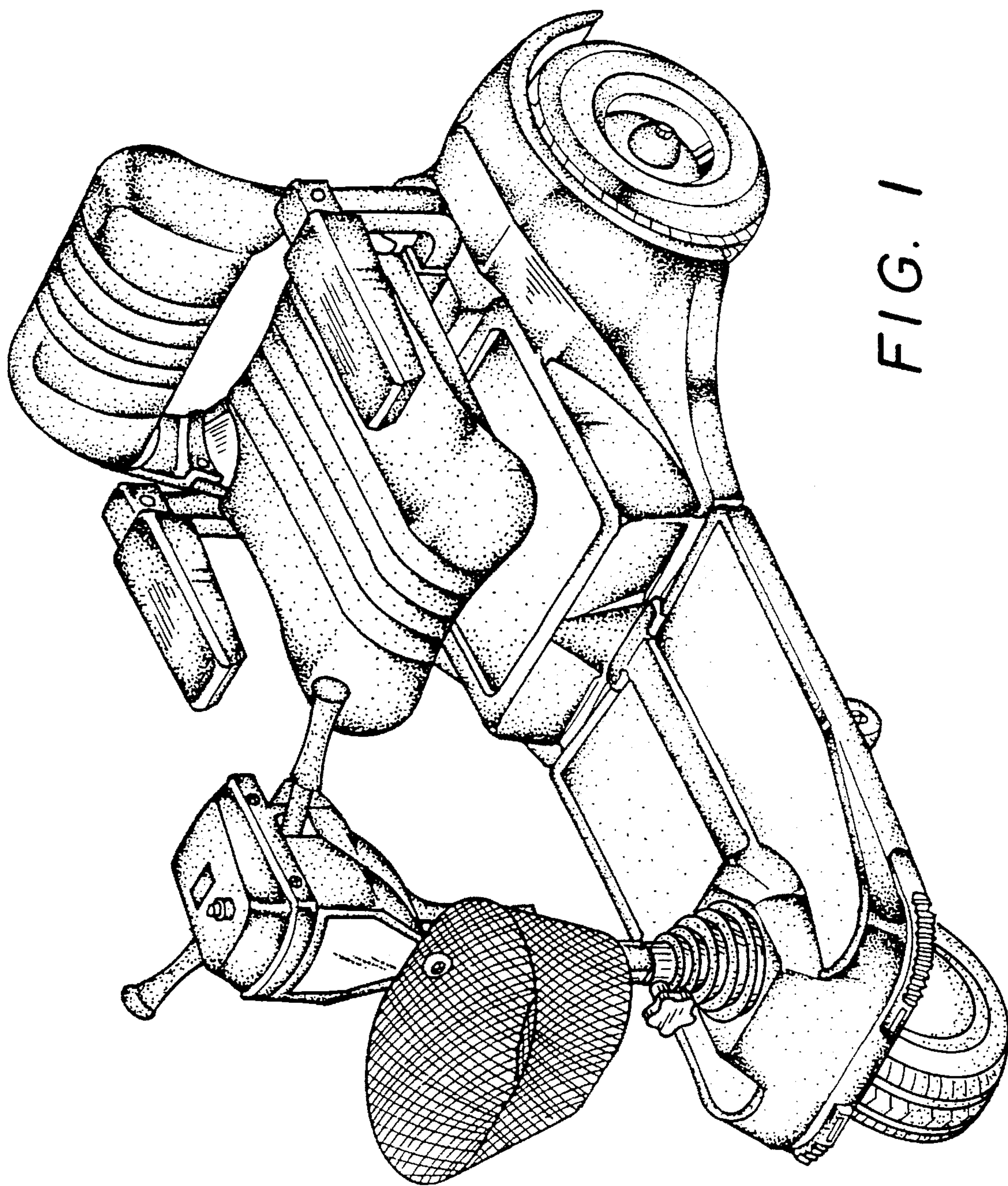


FIG. 1

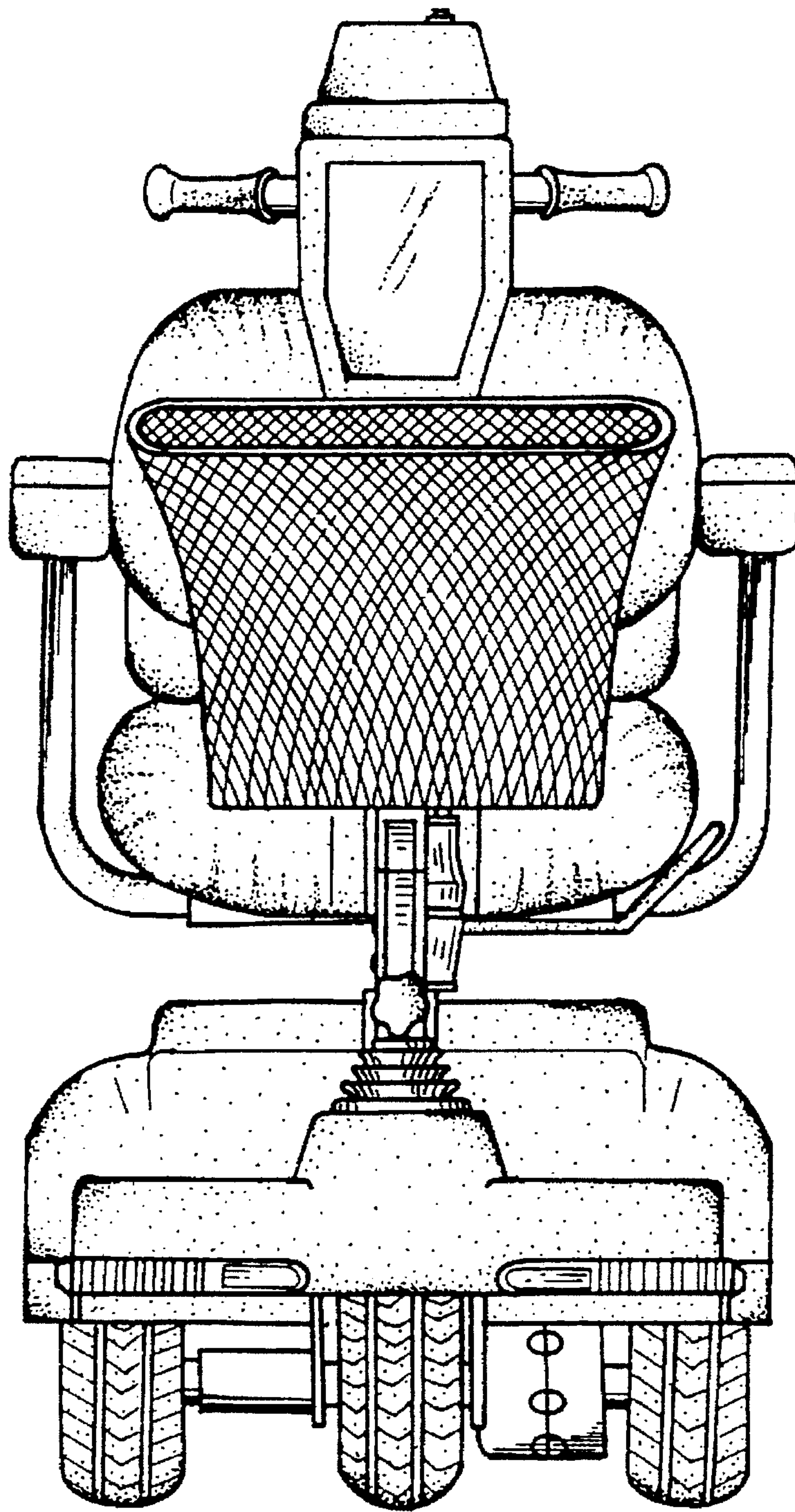


FIG. 2

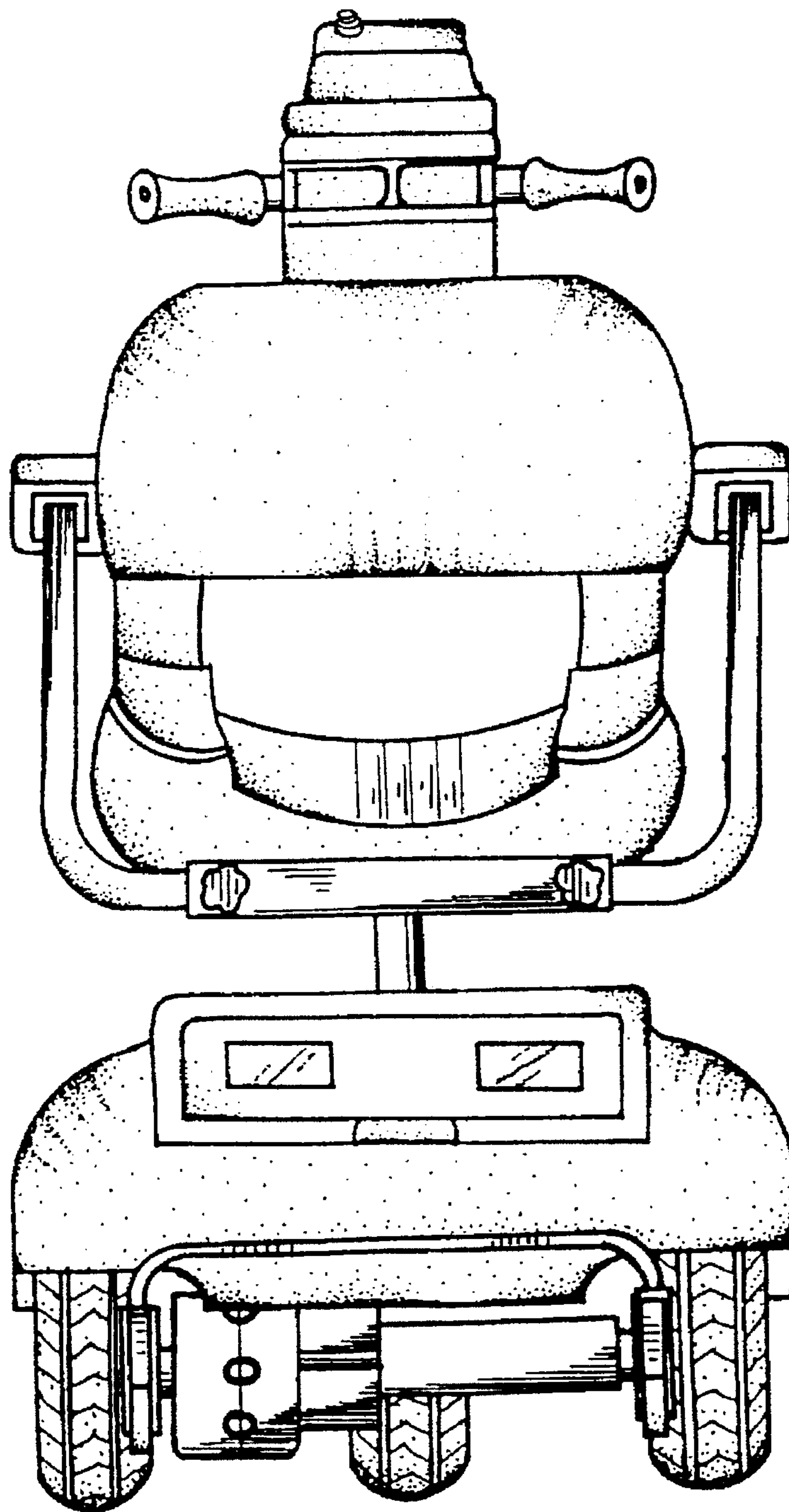


FIG. 3

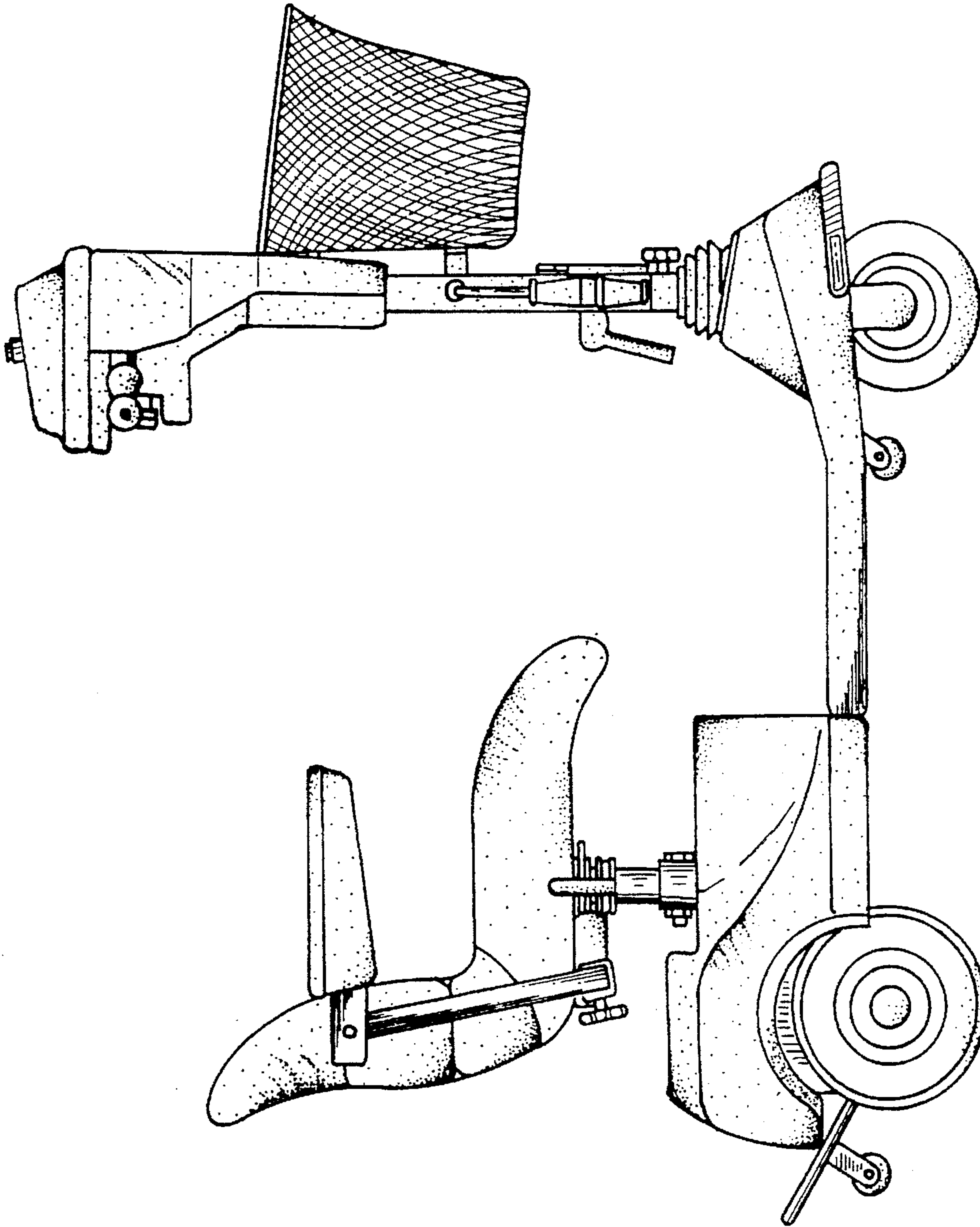


FIG. 4

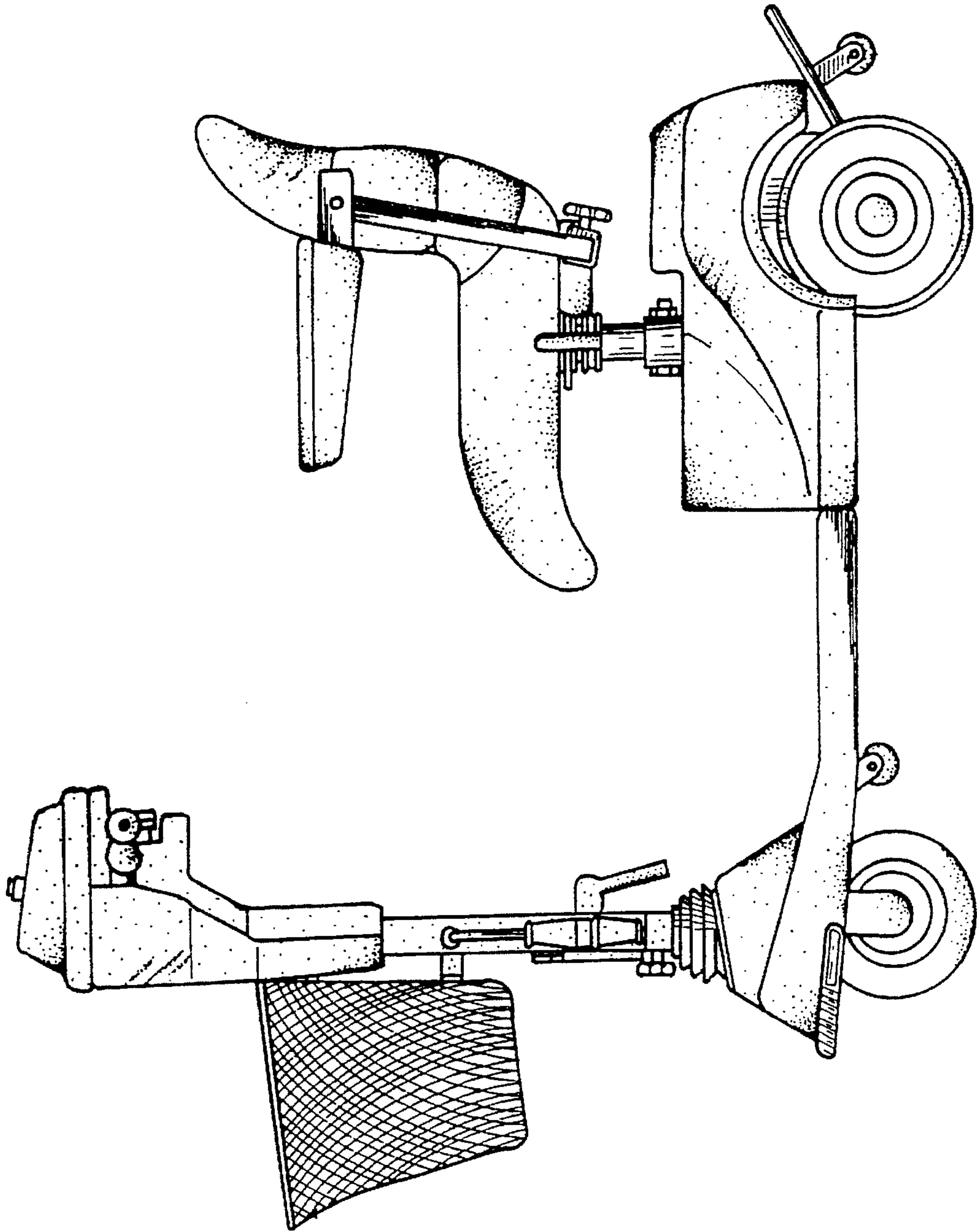


FIG. 5

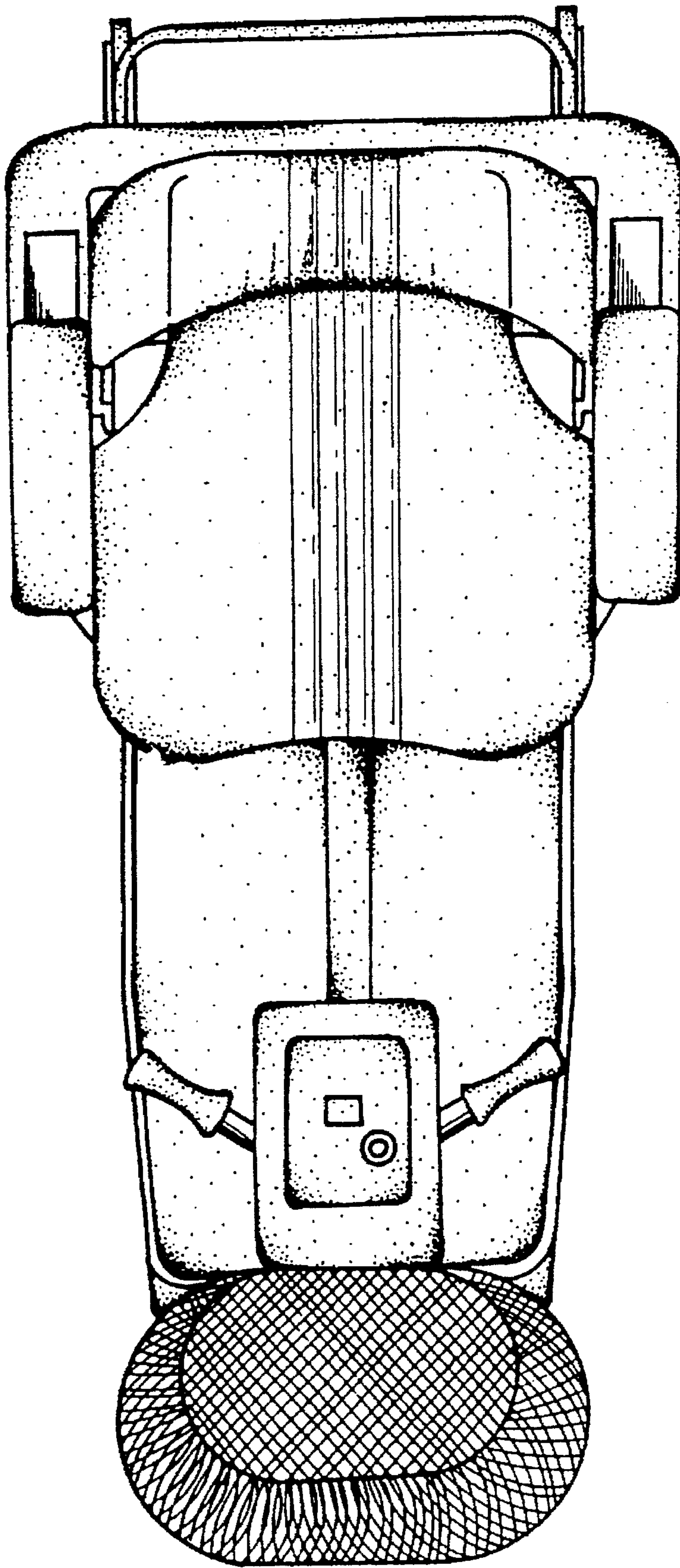


FIG. 6

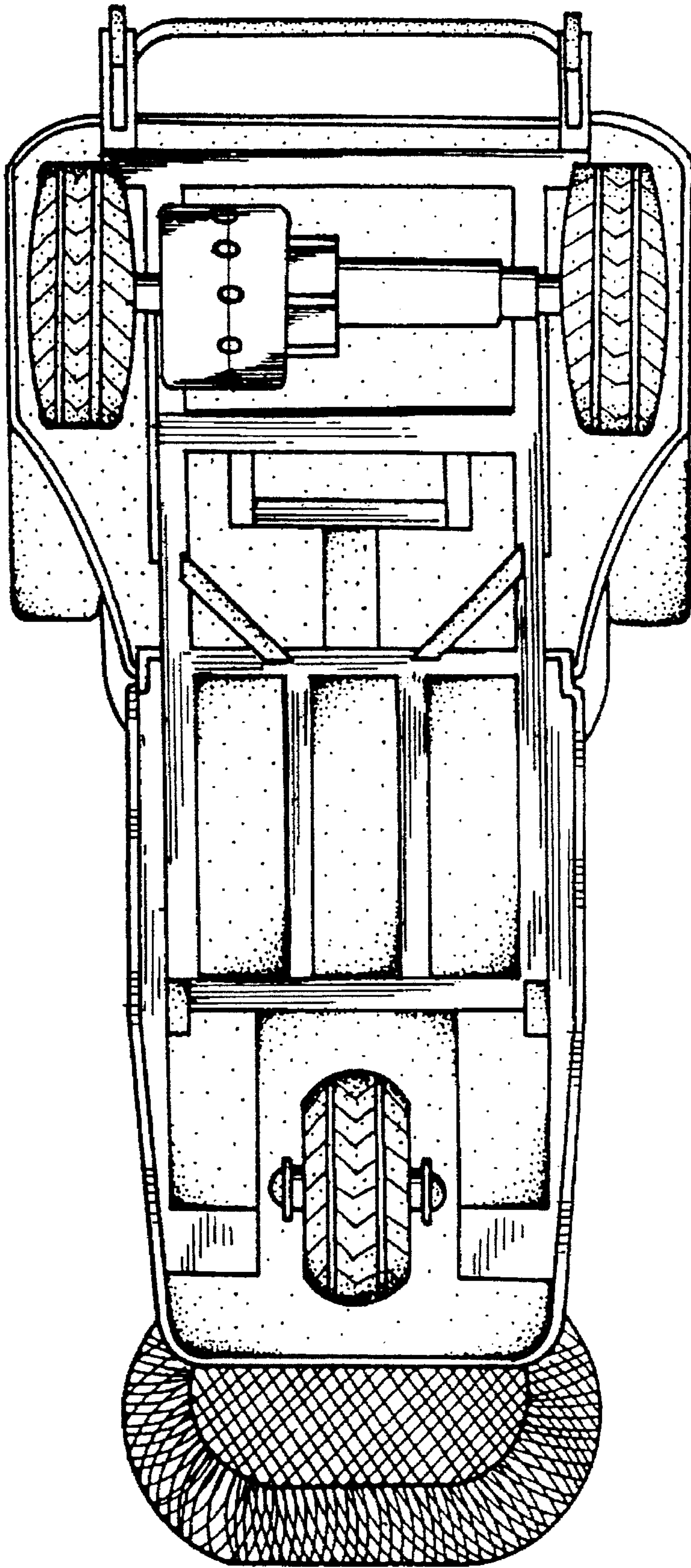


FIG. 7