



US00D381279S

United States Patent [19]

Ingebritson et al.

[11] Patent Number: Des. 381,279

[45] Date of Patent: **Jul. 22, 1997

[54] HUMIDISTAT HOUSING

[75] Inventors: **Jolayne K. Ingebritson**, St. Paul;
Ralph E. Pasquarette, Jordan, both of
Minn.

[73] Assignee: **Honeywell Inc.**, Minneapolis, Minn.

[**] Term: **14 Years**

[21] Appl. No.: **46,784**

[22] Filed: **Sep. 22, 1995**

[51] LOC (6) Cl. **10-04**

[52] U.S. Cl. **D10/52**

[58] Field of Search D10/49, 50, 52;
73/29.2, 29.05; 62/186, 21, 176.6, 176.5;
206/305; 236/44 R, 44 C, 44 A, 44 D,
44 F, 47, 91 C, 91 R, 49

[56] References Cited

U.S. PATENT DOCUMENTS

- D. 293,421 12/1987 Bonnema et al. .
- D. 297,419 8/1988 Bonnema et al. .
- D. 310,788 9/1990 Wolfe .
- D. 314,155 1/1991 Toivonen D10/52
- D. 329,617 9/1992 Tinz D10/49 X
- 4,085,843 4/1978 Espander D10/50 X

Primary Examiner—Antoine Duval Davis
Attorney, Agent, or Firm—Edward L. Schwarz

[57] CLAIM

The ornamental design for a humidistat housing, as shown and described.

DESCRIPTION

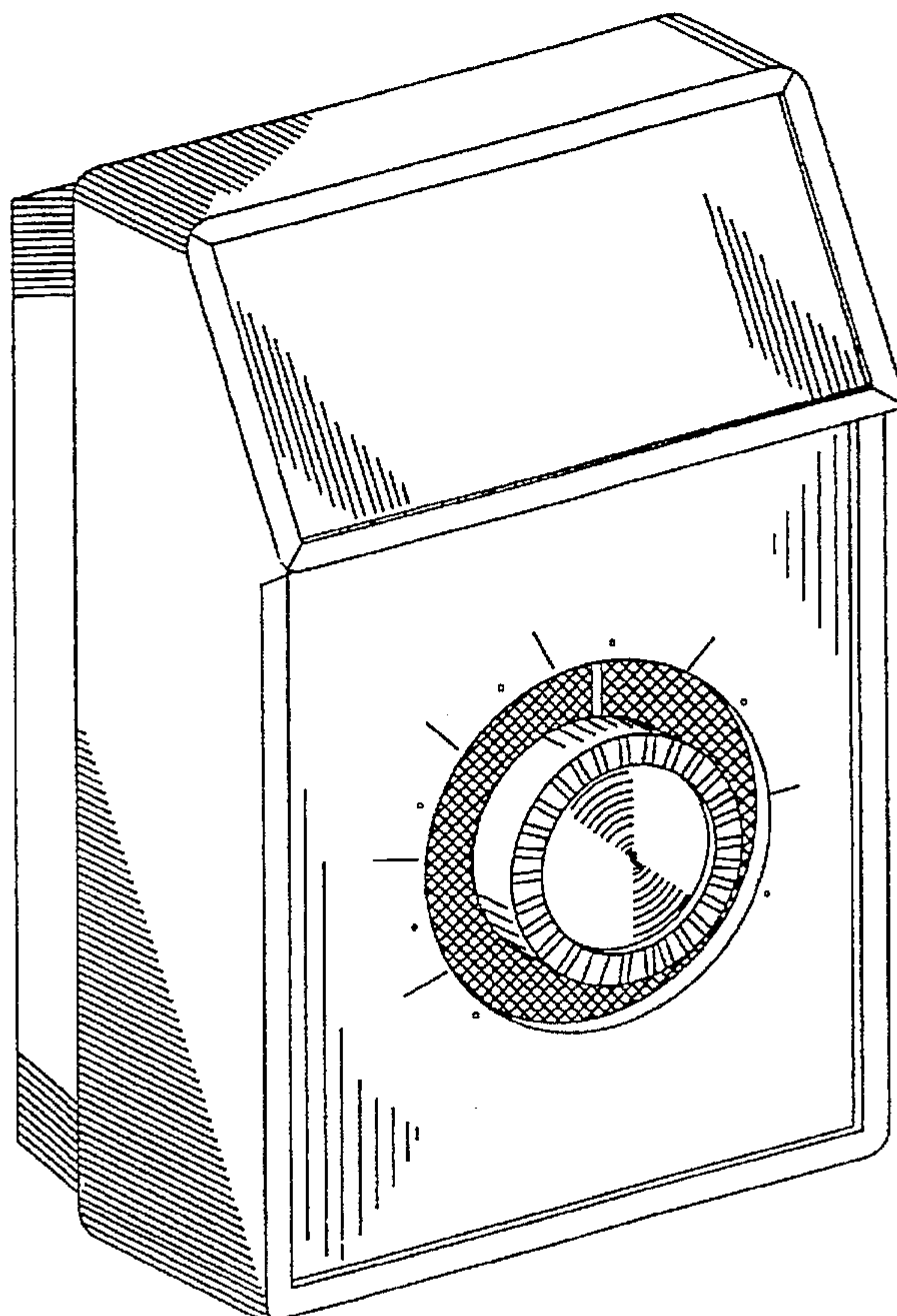
FIG. 1 is a perspective view, as seen from the front, top and left side of a humidistat housing in accordance with the applicants' design;

FIG. 2 is a front elevation view of the humidistat housing; FIG. 3 is a left side elevation view of the humidistat housing, the right side elevation view being a mirror image thereof; FIG. 4 is a bottom plan view of the humidistat housing; and, FIG. 5 is top plan view of the humidistat housing.

The rear of the humidistat housing does not comprise any portion of the invention, and, therefore, is not shown in the drawings.

The applicants' design features a front face having a sloped upper panel in combination with a vertical lower panel in which a knob appears to "float" in a well or recess with a pointer traveling behind a scale on the outer surface of the vertical panel. This appearance may be achieved by means of a nonreflective disk affixed to the rear of the knob and having a reflective indicator marking thereon. The principal side, bottom and top surfaces of the housing are joined by small radius corners. The sloped upper panels and vertical lower panel of the front face are framed with a thin flat topped ridge, the ridge framing the sloped upper panel having a slight outward slope.

1 Claim, 2 Drawing Sheets



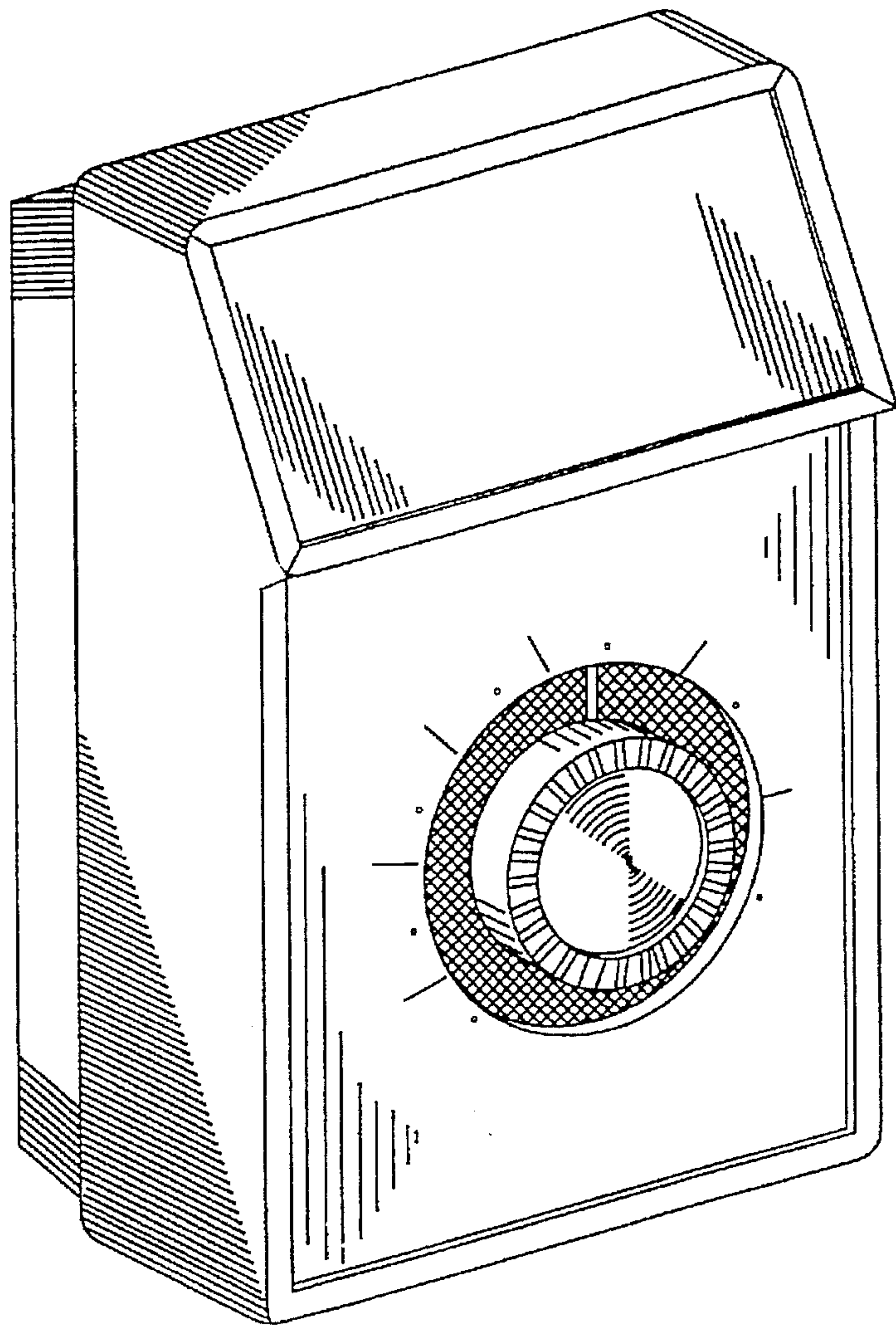


Fig. 1

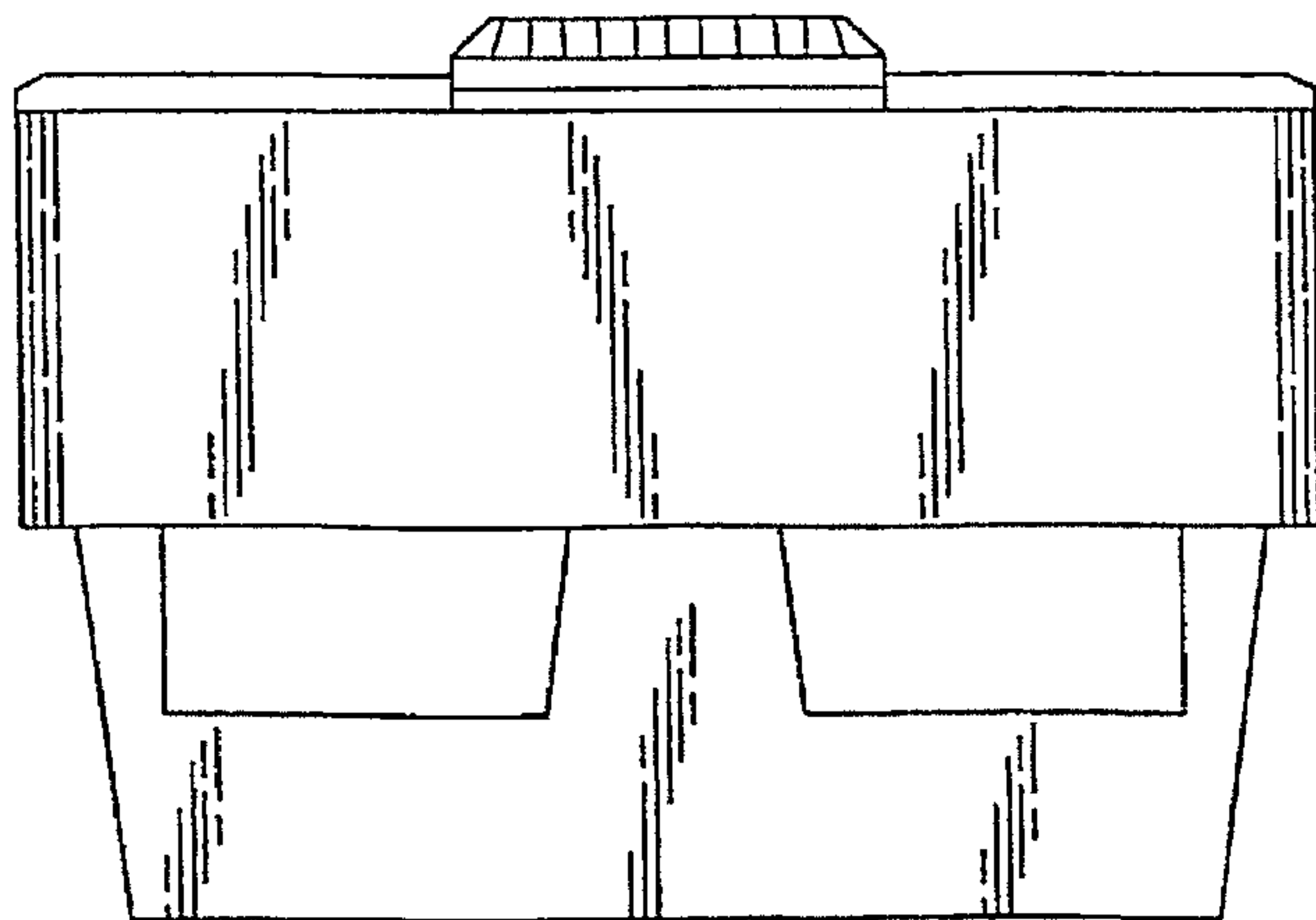


Fig. 4

Fig. 5

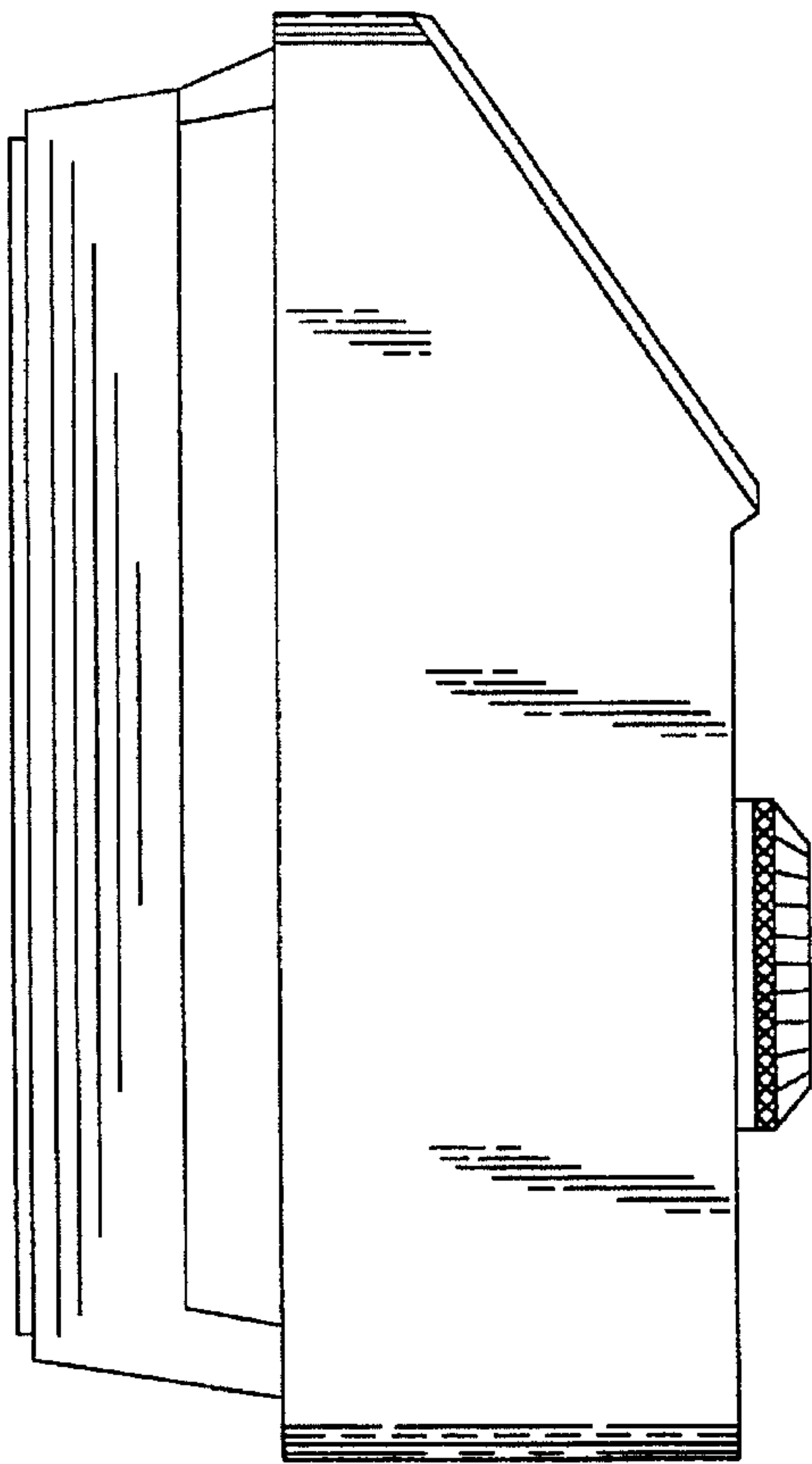
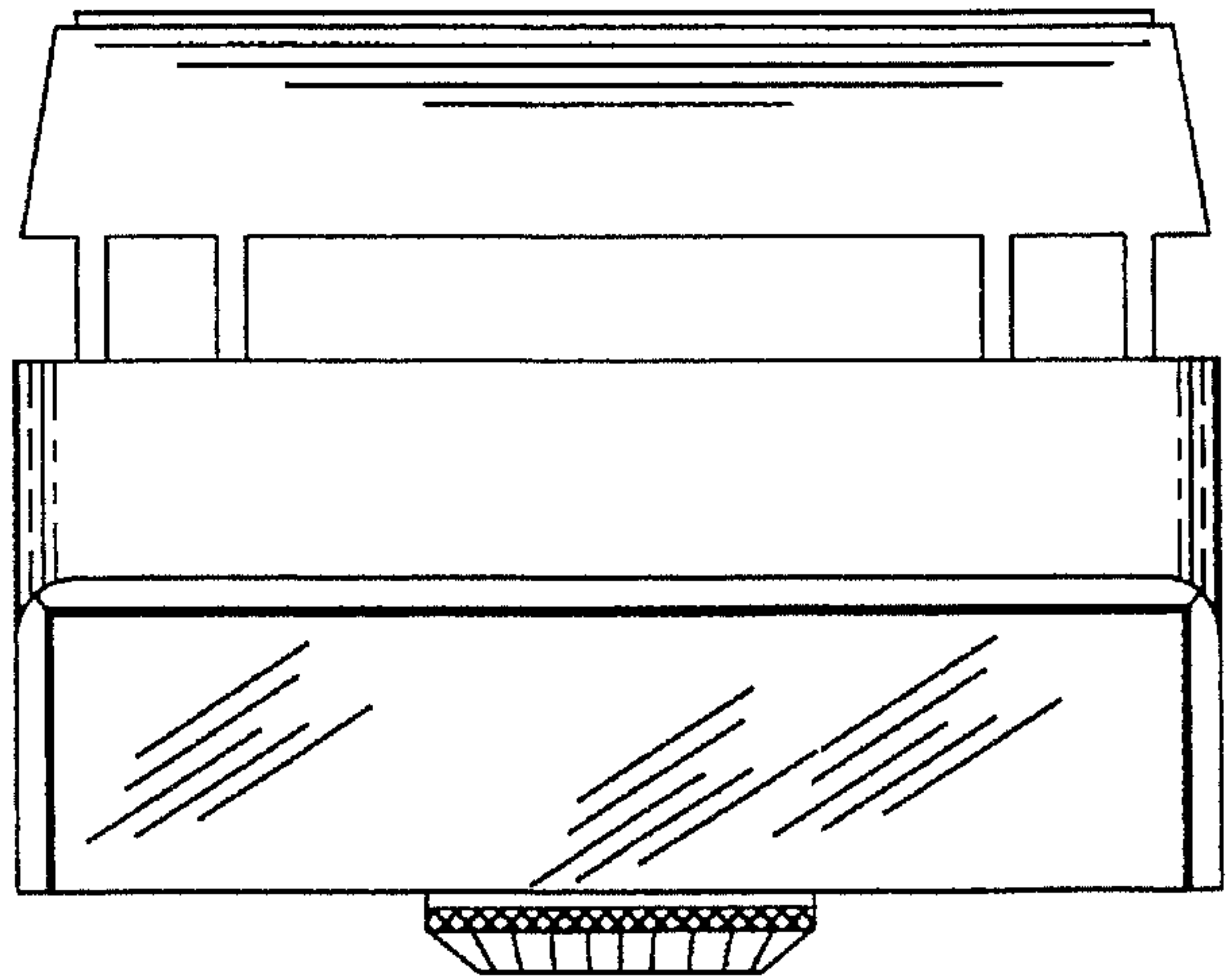


Fig. 3

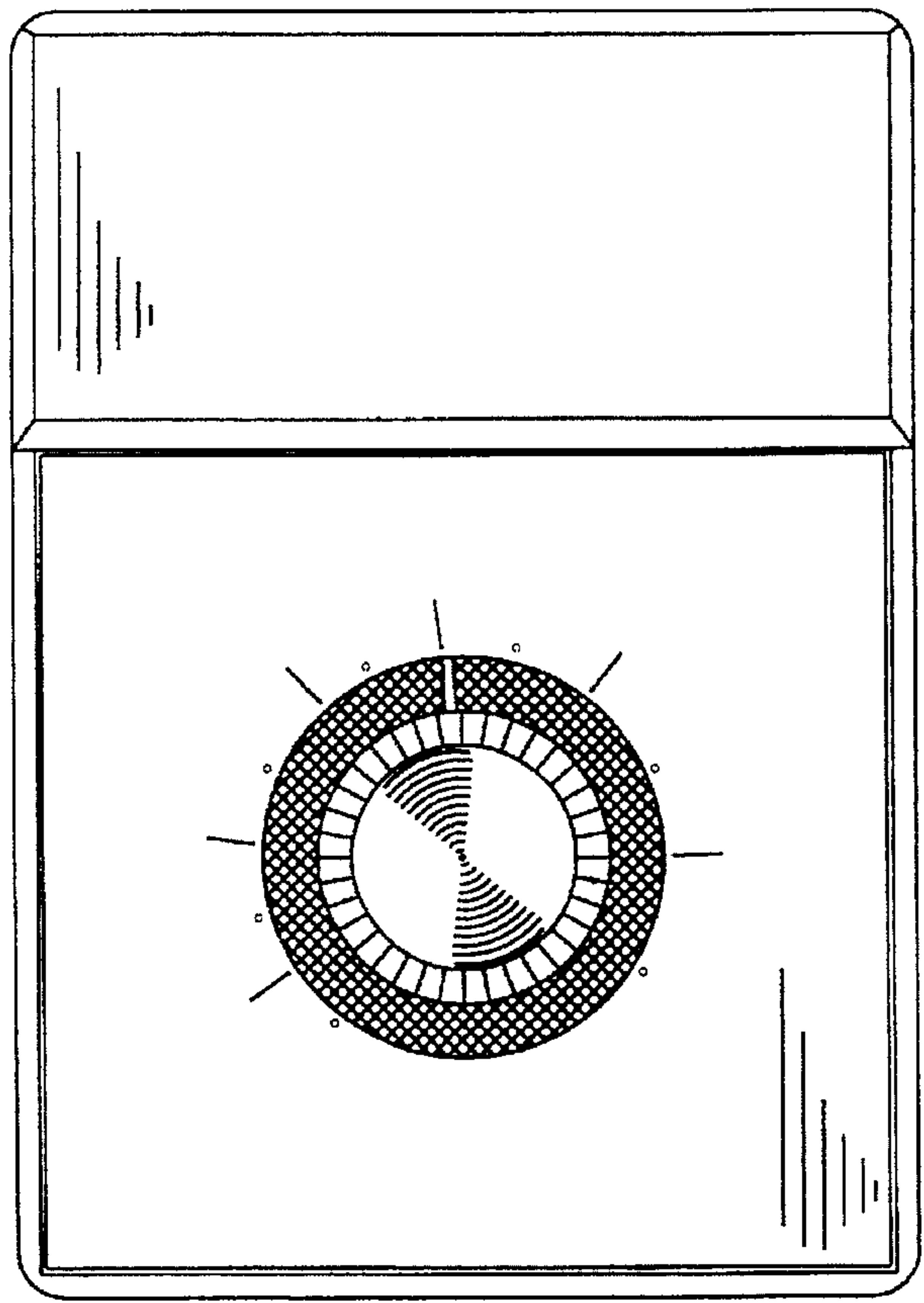


Fig. 2