



US00D381269S

# United States Patent [19]

Mena, Jr. et al.

[11] Patent Number: **Des. 381,269**

[45] Date of Patent: **\*\*Jul. 22, 1997**

[54] CONTAINER SEPARATOR WITH SCOOP

[75] Inventors: **Arthur Mena, Jr.**, Johnson County, Kans.; **Clifford J. Till**, Huntington County, Ind.

[73] Assignee: **Standard Motor Products, Inc.**, Edwardsville, Kans.

[\*\*] Term: **14 Years**

[21] Appl. No.: **50,084**

[22] Filed: **Feb. 8, 1996**

[51] LOC (6) Cl. .... **09-07**

[52] U.S. Cl. .... **D9/456; D7/691**

[58] Field of Search ..... D9/434, 456, 457, D9/499; D7/688, 691; 211/183, 184; 220/529

[56] **References Cited**

**U.S. PATENT DOCUMENTS**

- D. 333,596 3/1993 Husted ..... D7/691
- 2,501,588 3/1950 Somers ..... D7/691 X

- 2,918,319 12/1959 Richardson ..... 292/80 X
- 3,746,181 7/1973 Benoit ..... 220/529 X
- 4,944,419 7/1990 Chandler ..... 220/529 X
- 5,150,809 9/1992 Leigh ..... 220/529 X
- 5,231,376 7/1993 Arcarese ..... 220/529 X

*Primary Examiner*—James Gandy  
*Assistant Examiner*—Cathron B. Matta  
*Attorney, Agent, or Firm*—Paul M. Denk

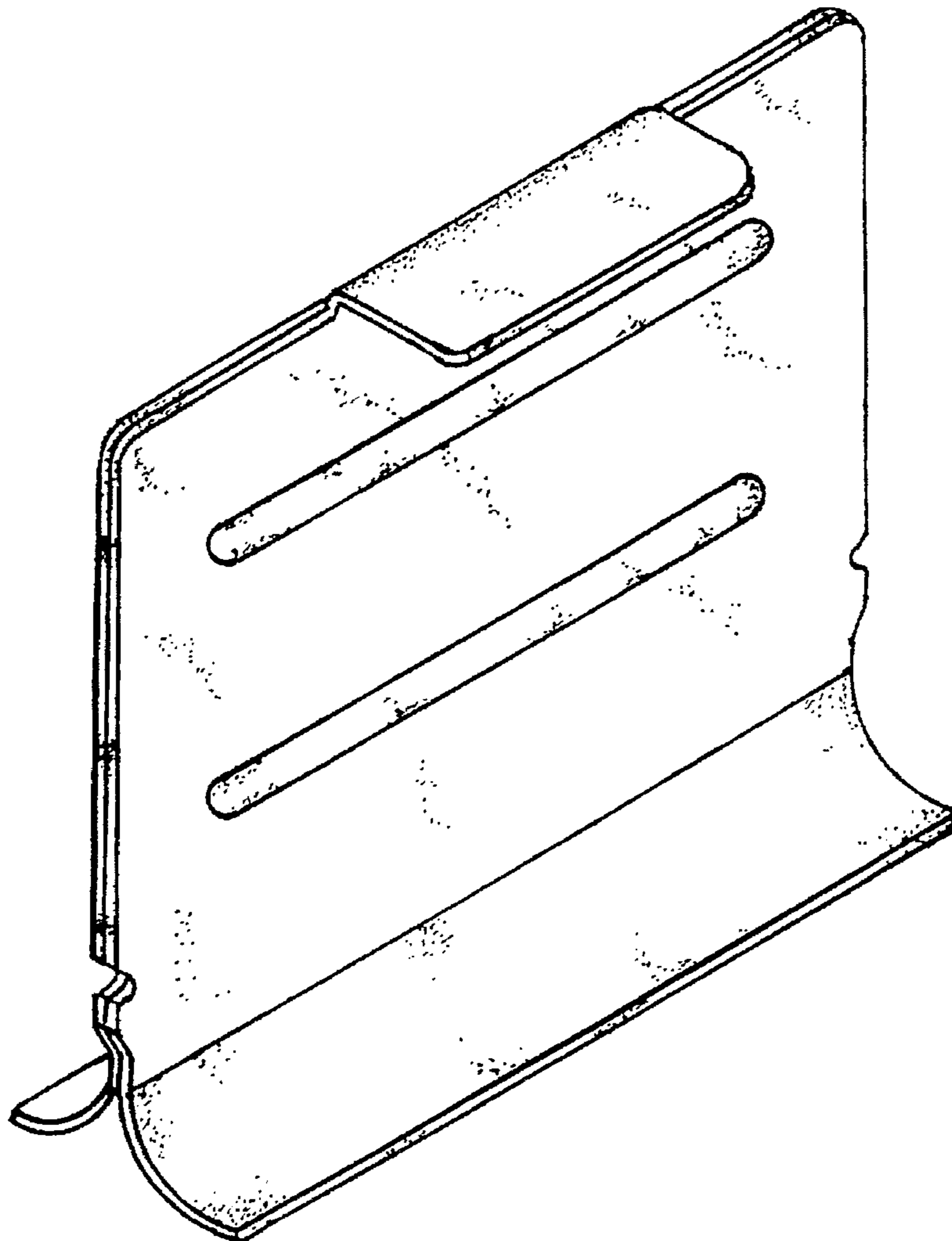
[57] **CLAIM**

The ornamental design for the container separator with scoop, as shown and described.

**DESCRIPTION**

FIG. 1 is an isometric view of the container separator with scoop of this invention;  
FIG. 2 is a top plan view thereof;  
FIG. 3 is a bottom plan view thereof;  
FIG. 4 is a front view thereof;  
FIG. 5 is a rear view thereof;  
FIG. 6 is a left side view thereof; and,  
FIG. 7 is a right side view of the invention.

**1 Claim, 2 Drawing Sheets**



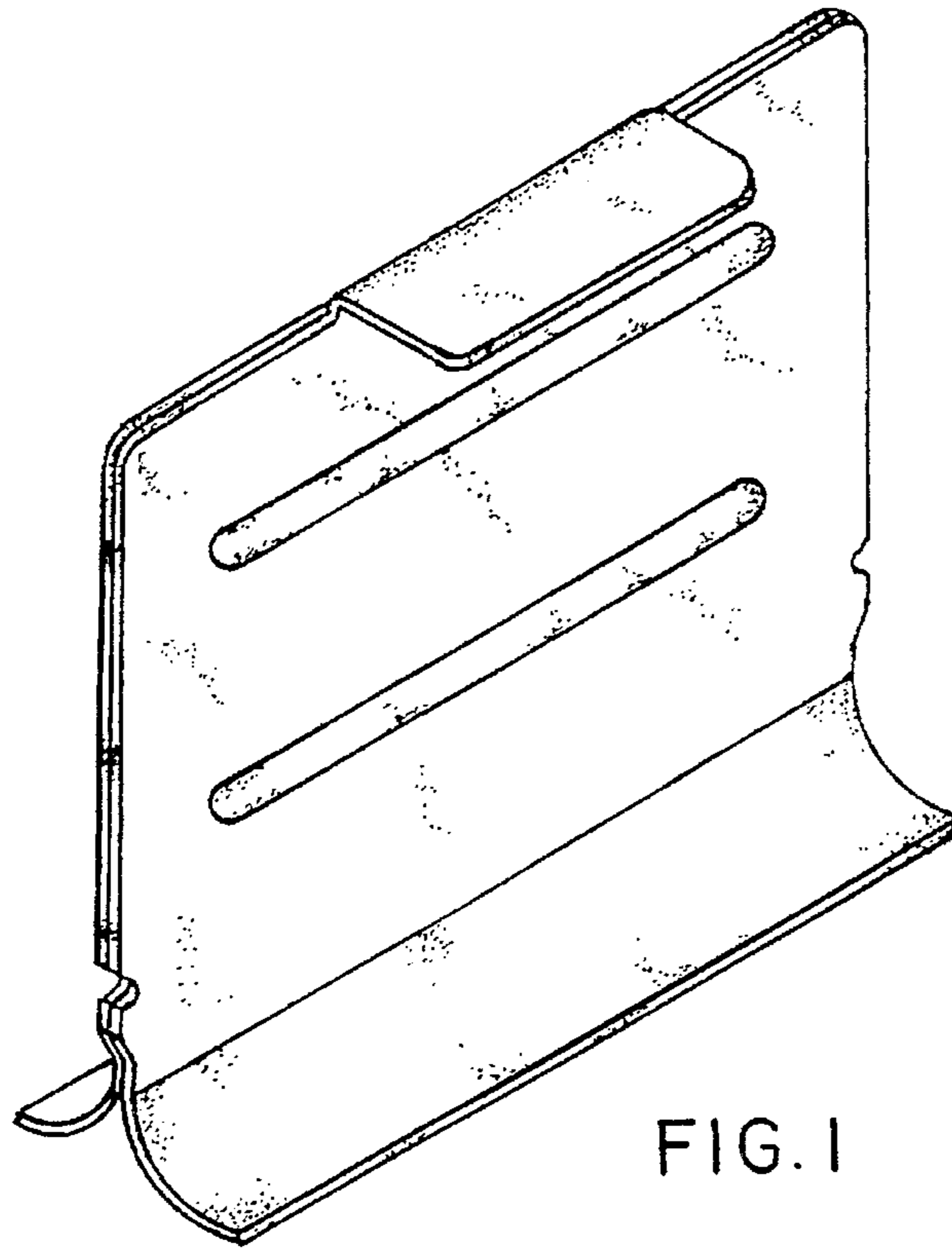


FIG. 1

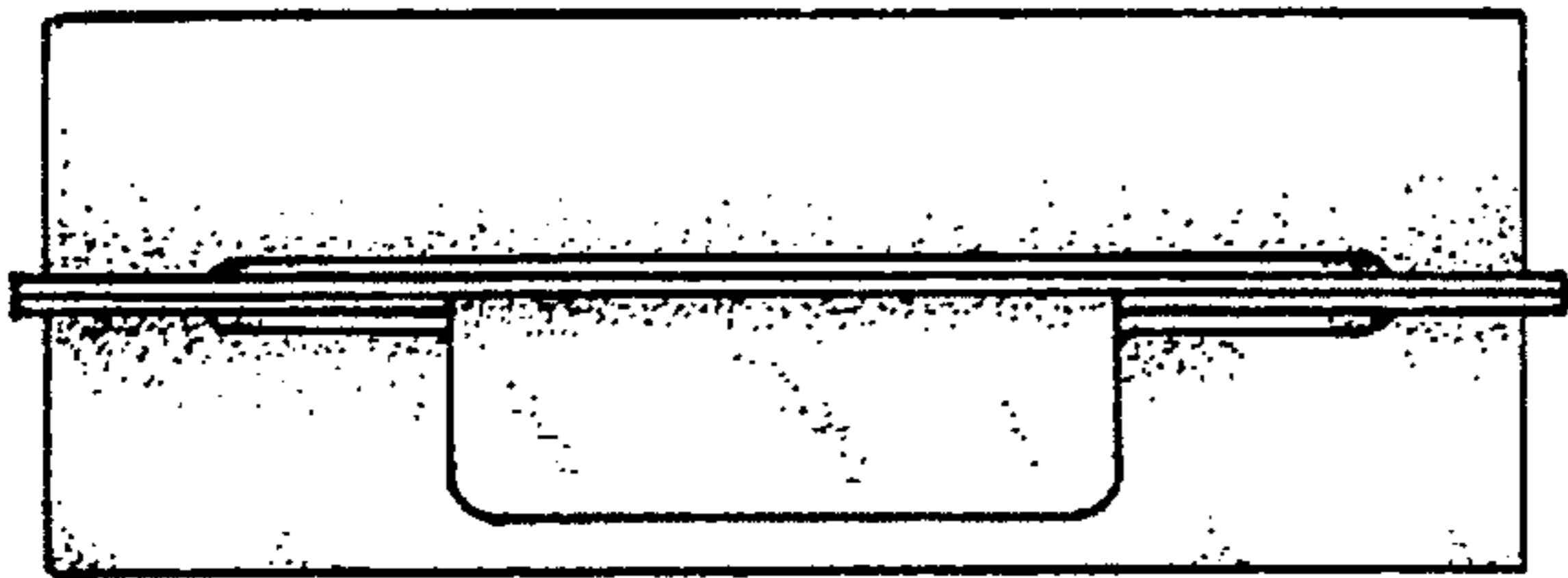


FIG. 2

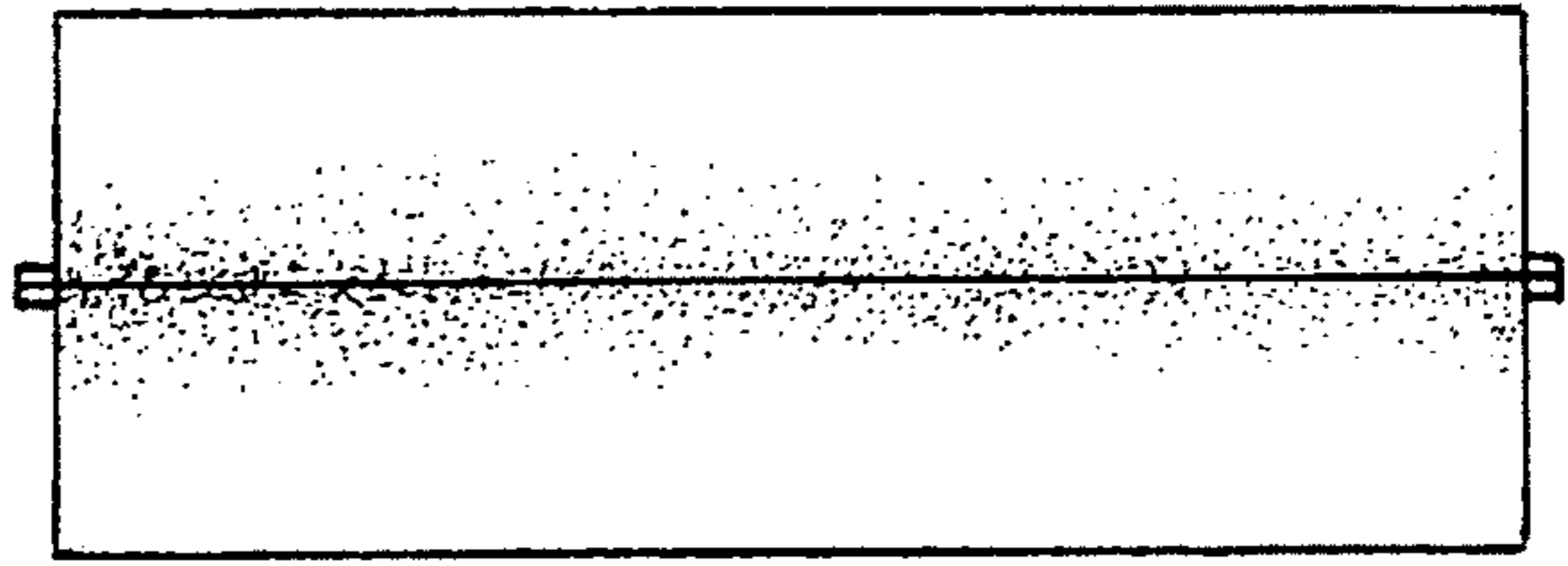


FIG. 3

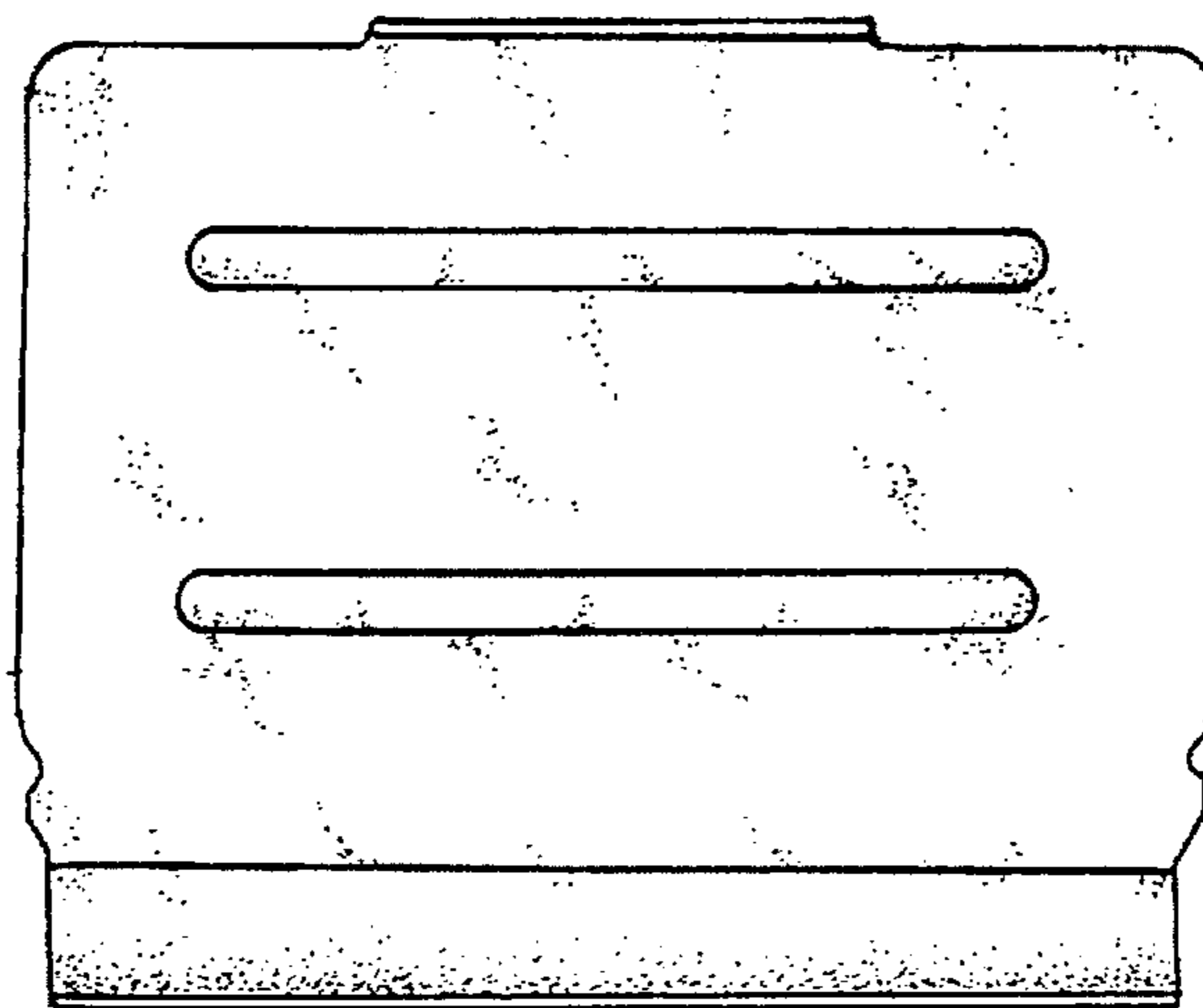


FIG. 4

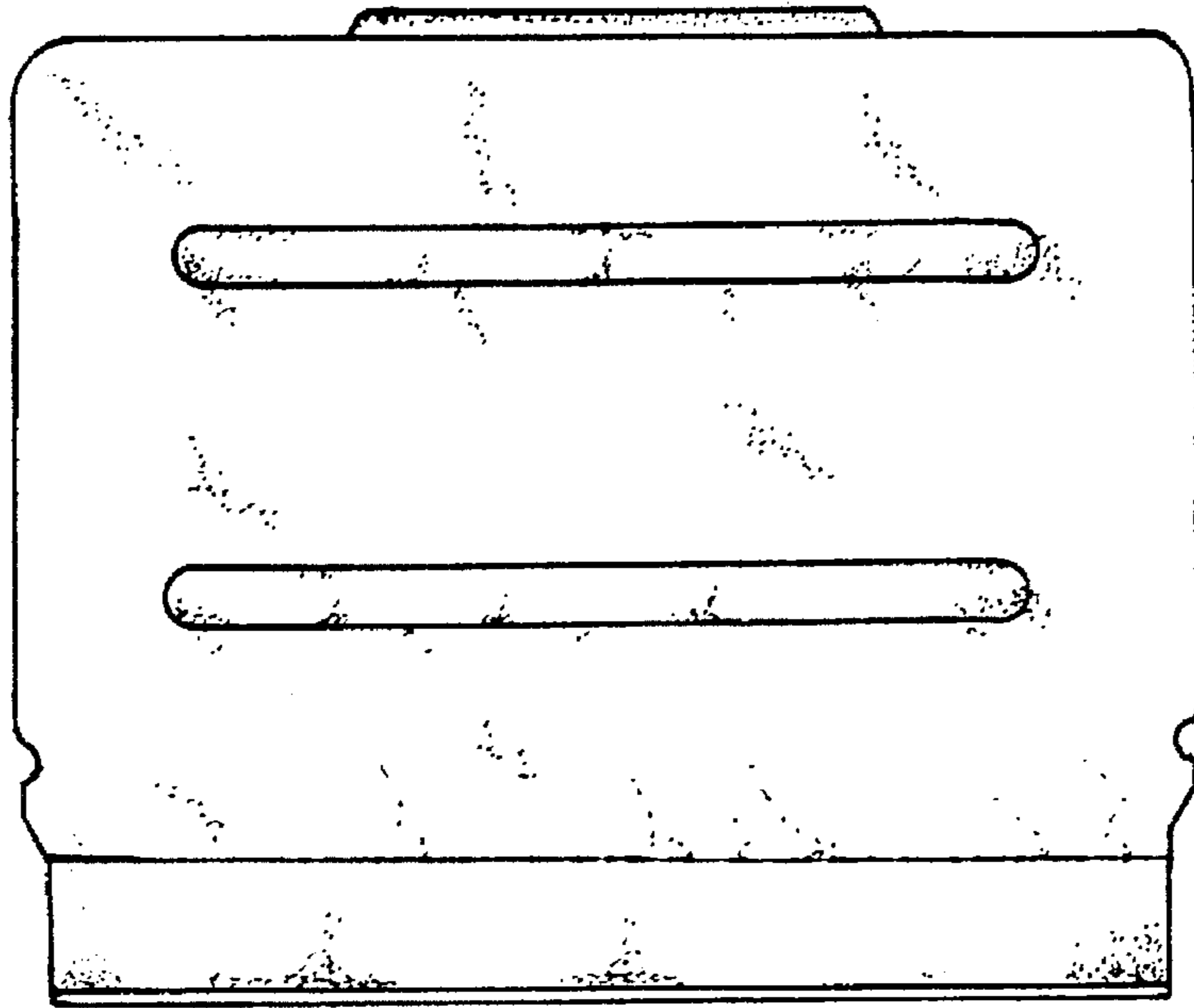


FIG. 5

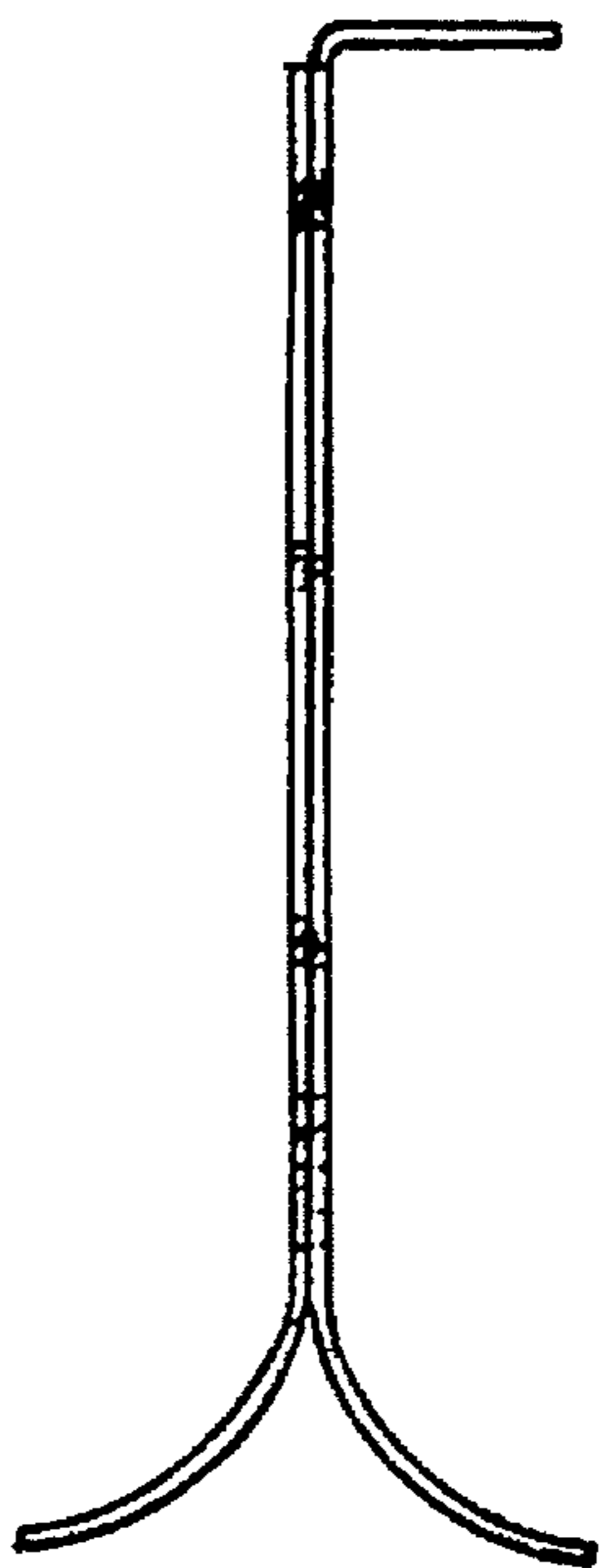


FIG. 6

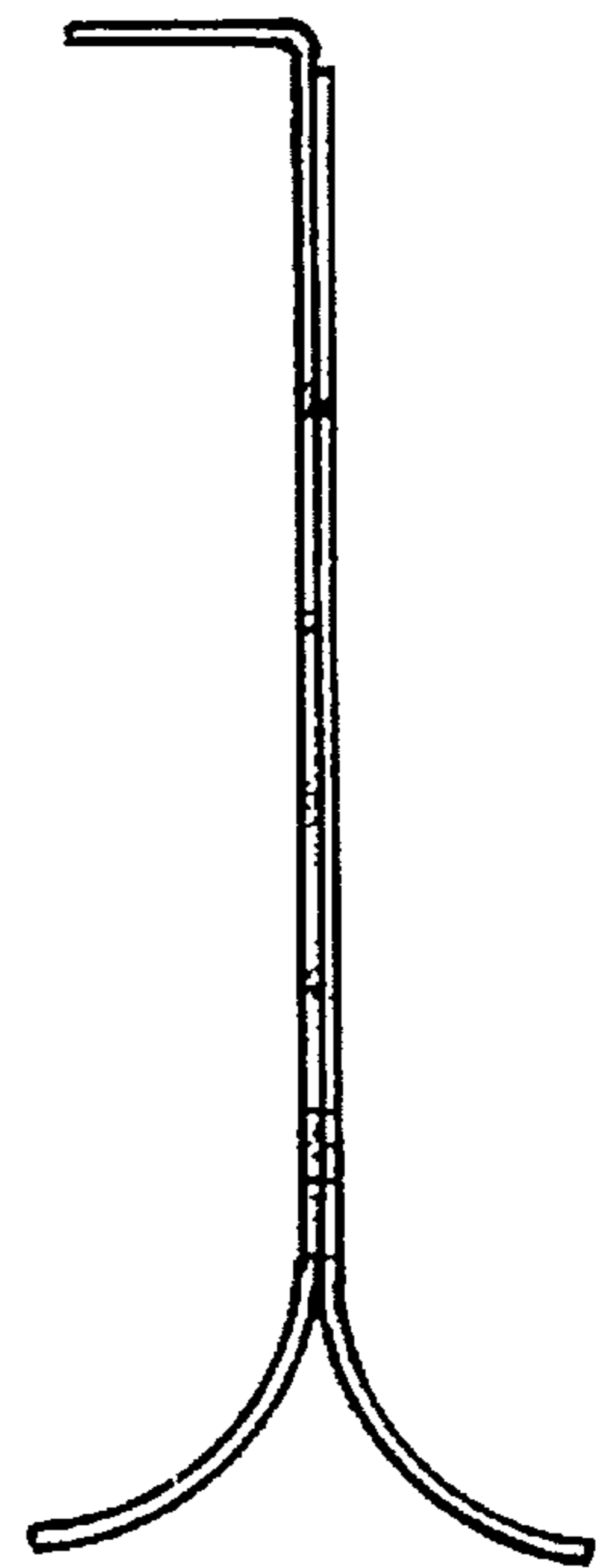


FIG. 7