



US00D381265S

United States Patent [19]

Lenterman

[11] Patent Number: **Des. 381,265**

[45] Date of Patent: ****Jul. 22, 1997**

[54] **BOX**

3,403,839 10/1968 Farquhar 229/112
4,191,323 3/1980 Webinger 229/116.1

[75] Inventor: **Henri Lenterman**, Culver City, Calif.

Primary Examiner—Prabhakar Deshmukh
Attorney, Agent, or Firm—John S. Christopher

[73] Assignee: **Intermarketing, Inc.**, Woodland Hills, Calif.

[57] CLAIM

[**] Term: **14 Years**

The ornamental design for a box, as shown and described.

[21] Appl. No.: **46,944**

DESCRIPTION

[22] Filed: **Nov. 21, 1995**

[51] LOC (6) Cl. **09-07**

[52] U.S. Cl. **D9/423; D9/345**

[58] Field of Search D9/346, 347, 433,
D9/430, 431, 414, 418, 308; 206/45.31,
44 R. 319, 457, 458, 349; 229/108, 108.1,
111, 112, 116.1, 162, 116.4

FIG. 1 is a perspective view of a box showing my new design;

FIG. 2 is a front elevation thereof;

FIG. 3 is a right side elevation thereof; the left side elevation being a mirror image thereof;

FIG. 4 is a rear elevation thereof;

FIG. 5 is a top plan view thereof;

FIG. 6 is a bottom plan view thereof;

FIG. 7 is a perspective view of a second embodiment of the box of FIG. 1;

FIG. 8 is a front elevation of the box of FIG. 7;

FIG. 9 is a right side elevation of the box of FIG. 7; the left side elevation being a mirror image thereof;

FIG. 10 is a rear elevation of the box of FIG. 7;

FIG. 11 is a top plan view of the box of FIG. 7; and,

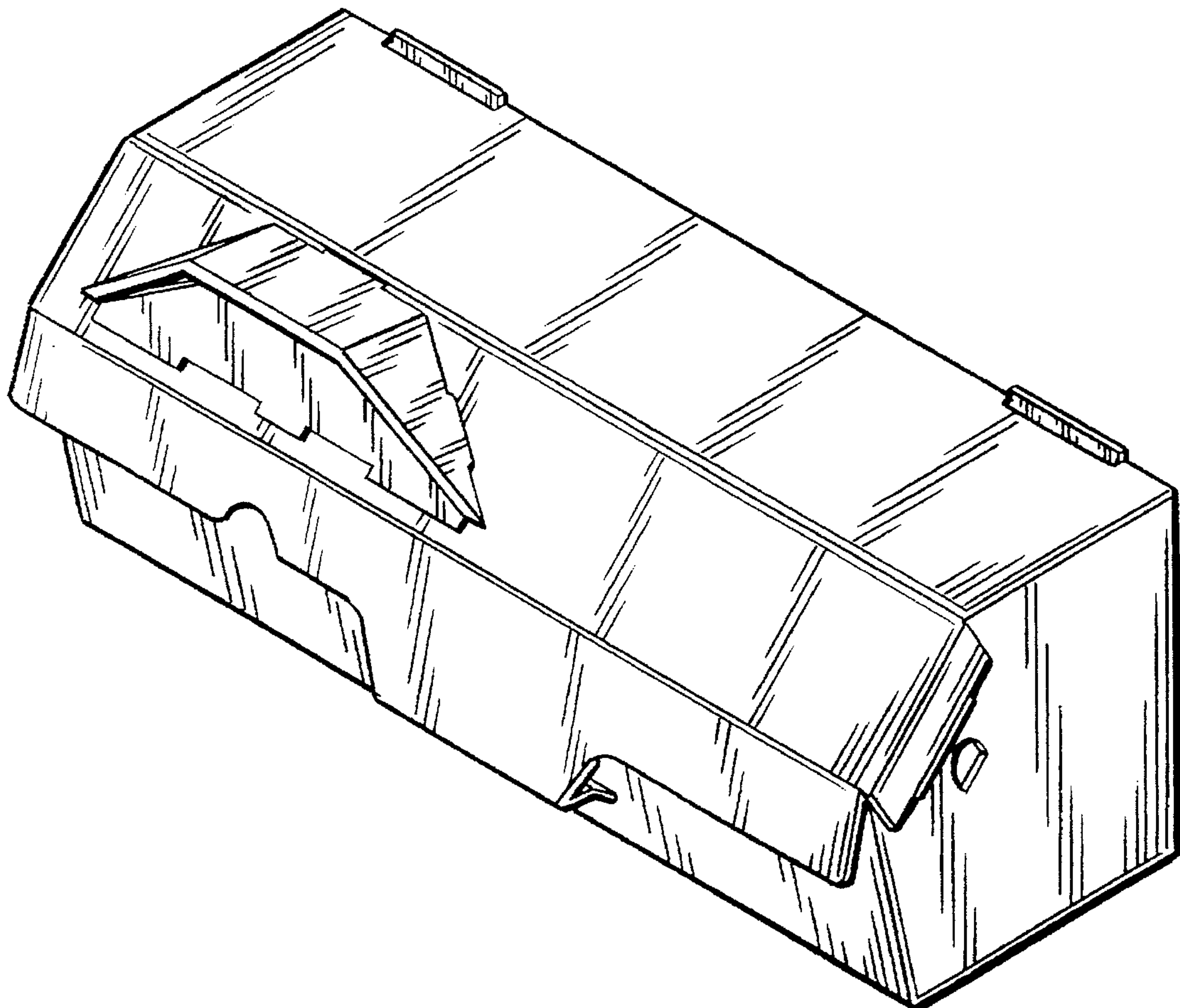
FIG. 12 is a bottom plan view of the box of FIG. 7.

[56] References Cited

U.S. PATENT DOCUMENTS

D. 306,829	3/1990	Golkar	D9/415
D. 307,504	4/1990	Silcox	D9/415 X
D. 337,270	7/1993	Brockman	D9/346 X
D. 350,692	9/1994	Seki	D9/418 X
1,950,104	3/1934	Ewers	229/108 X
2,337,931	12/1943	Rode, Jr.	229/108 X

1 Claim, 4 Drawing Sheets



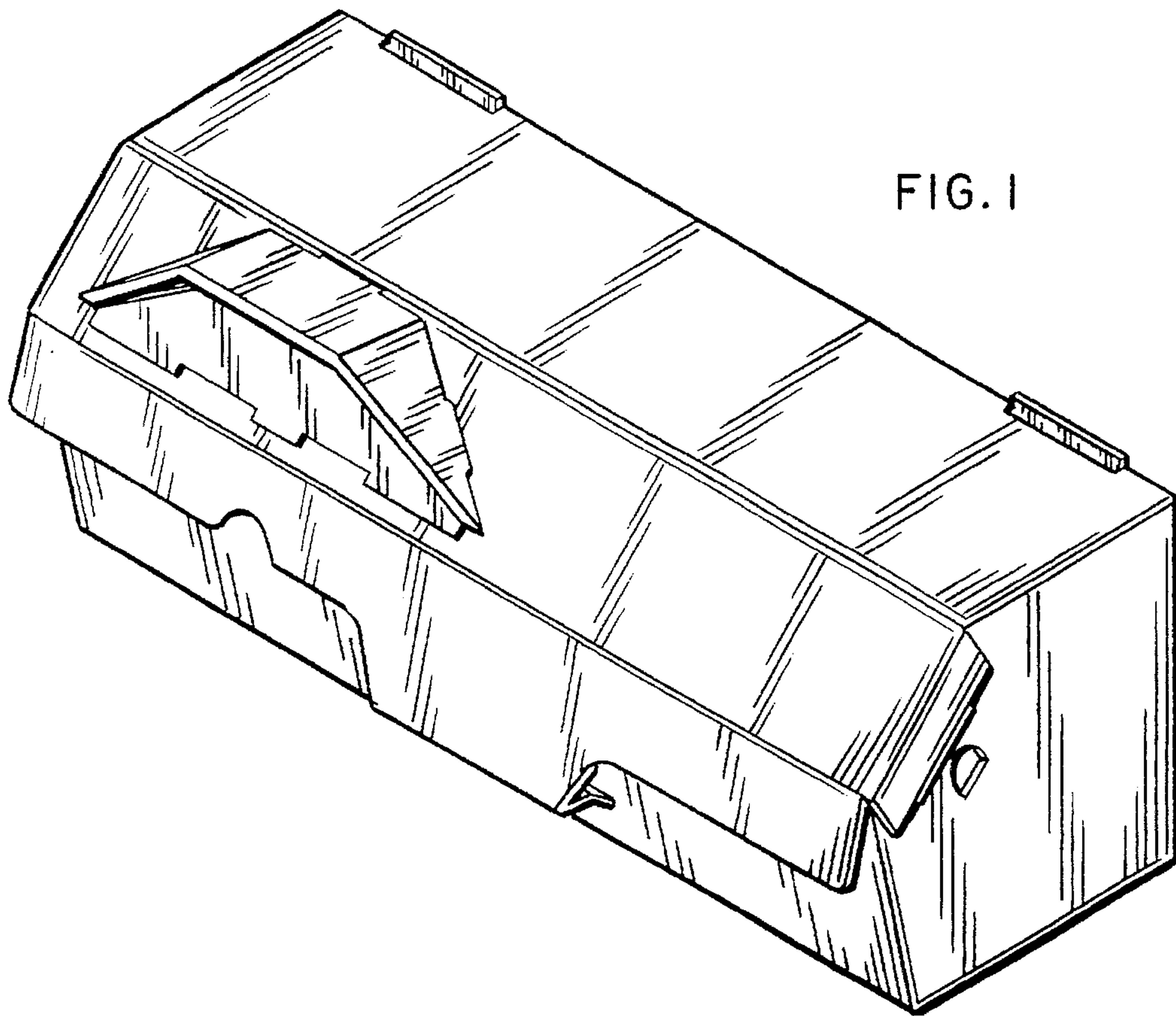


FIG. 1

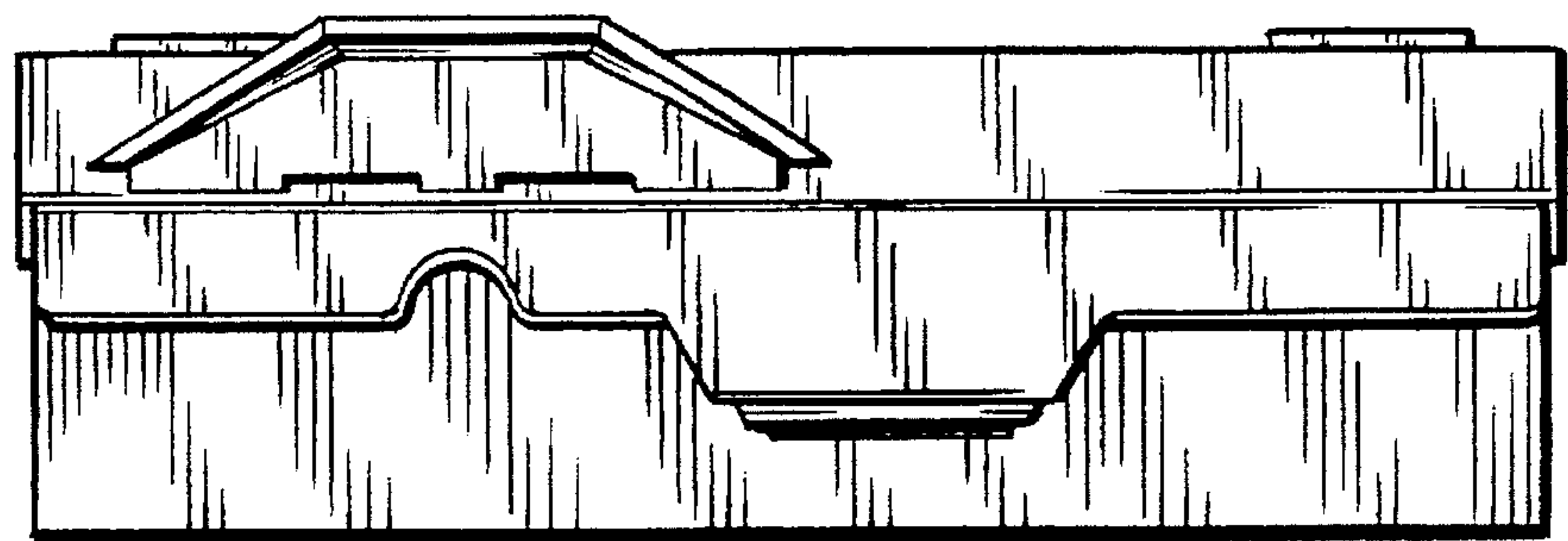


FIG. 2

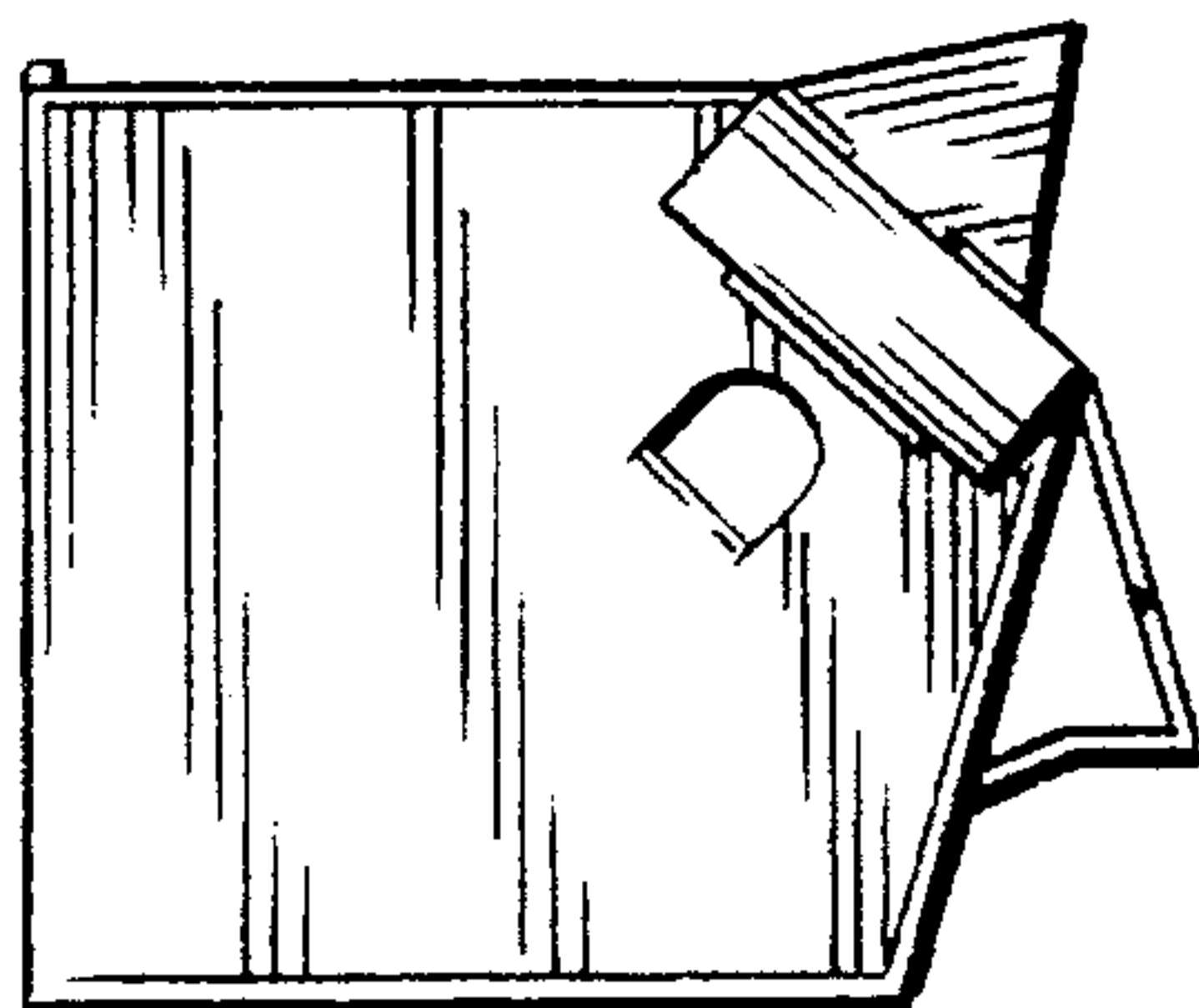


FIG. 3

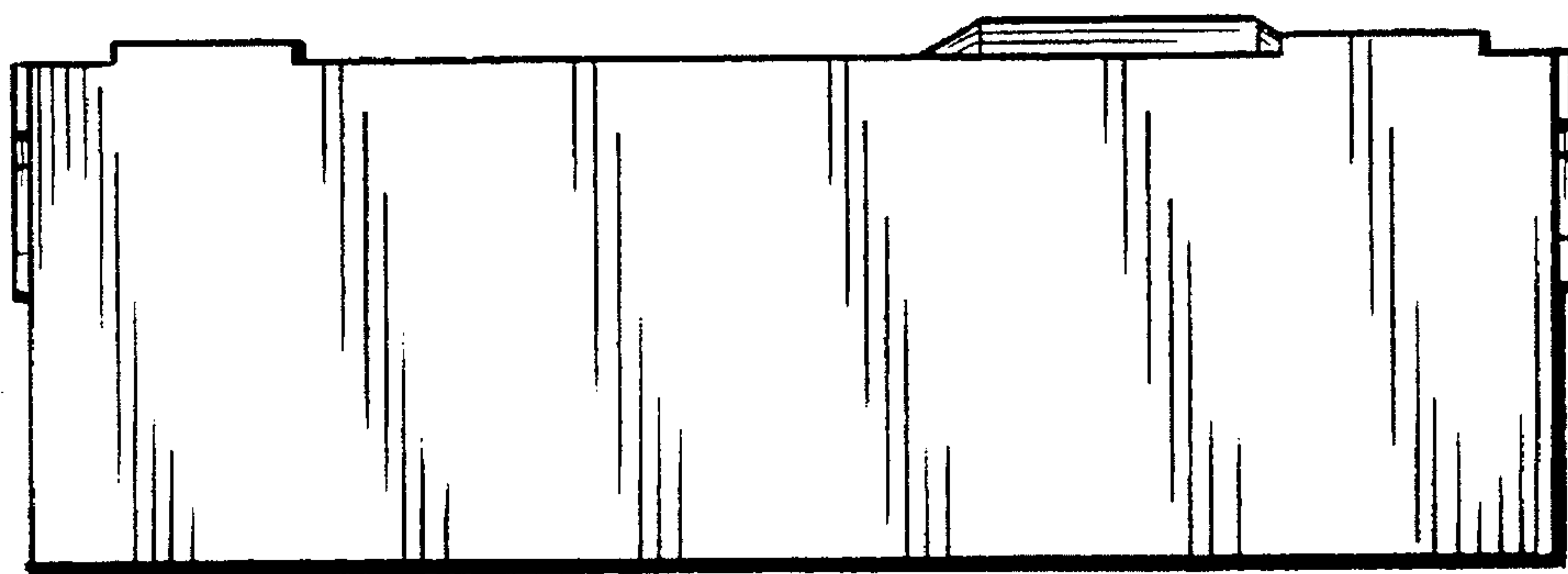


FIG. 4

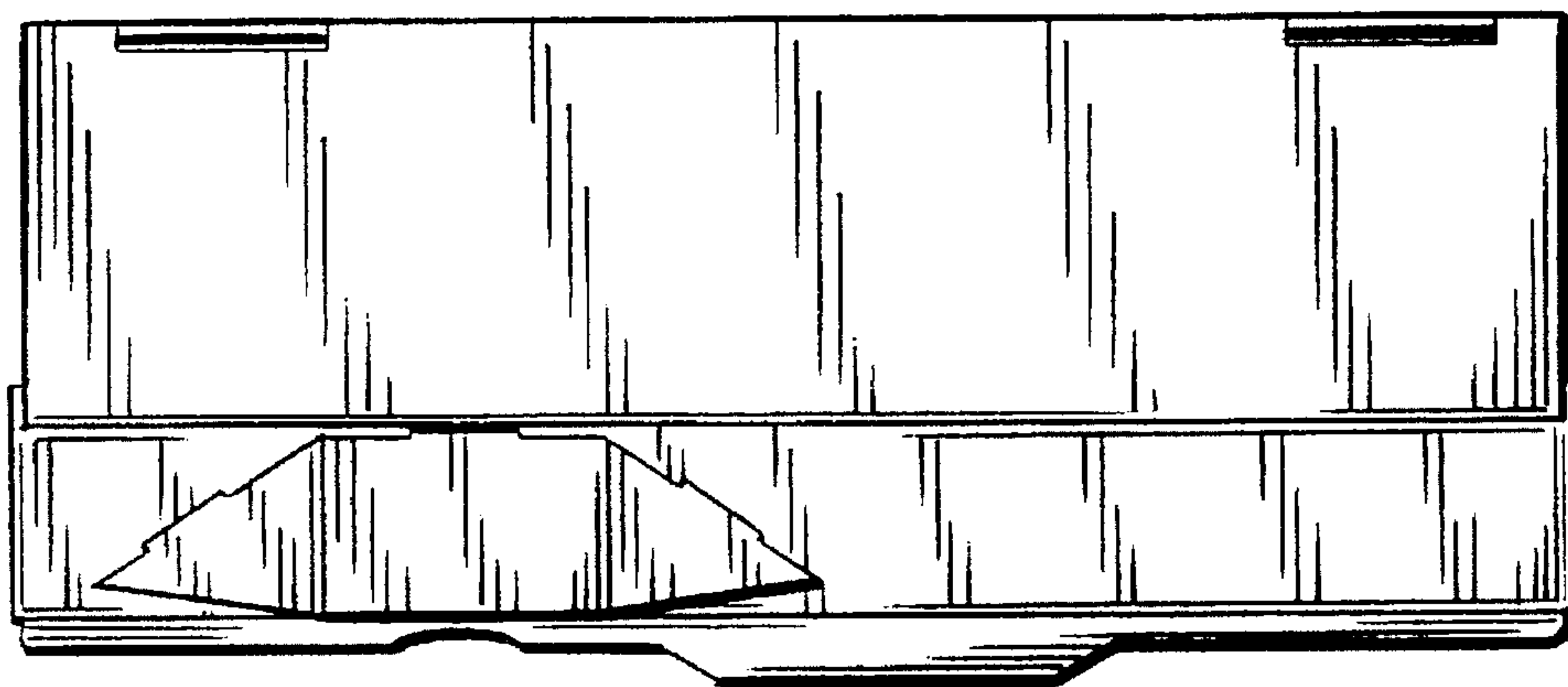


FIG. 5

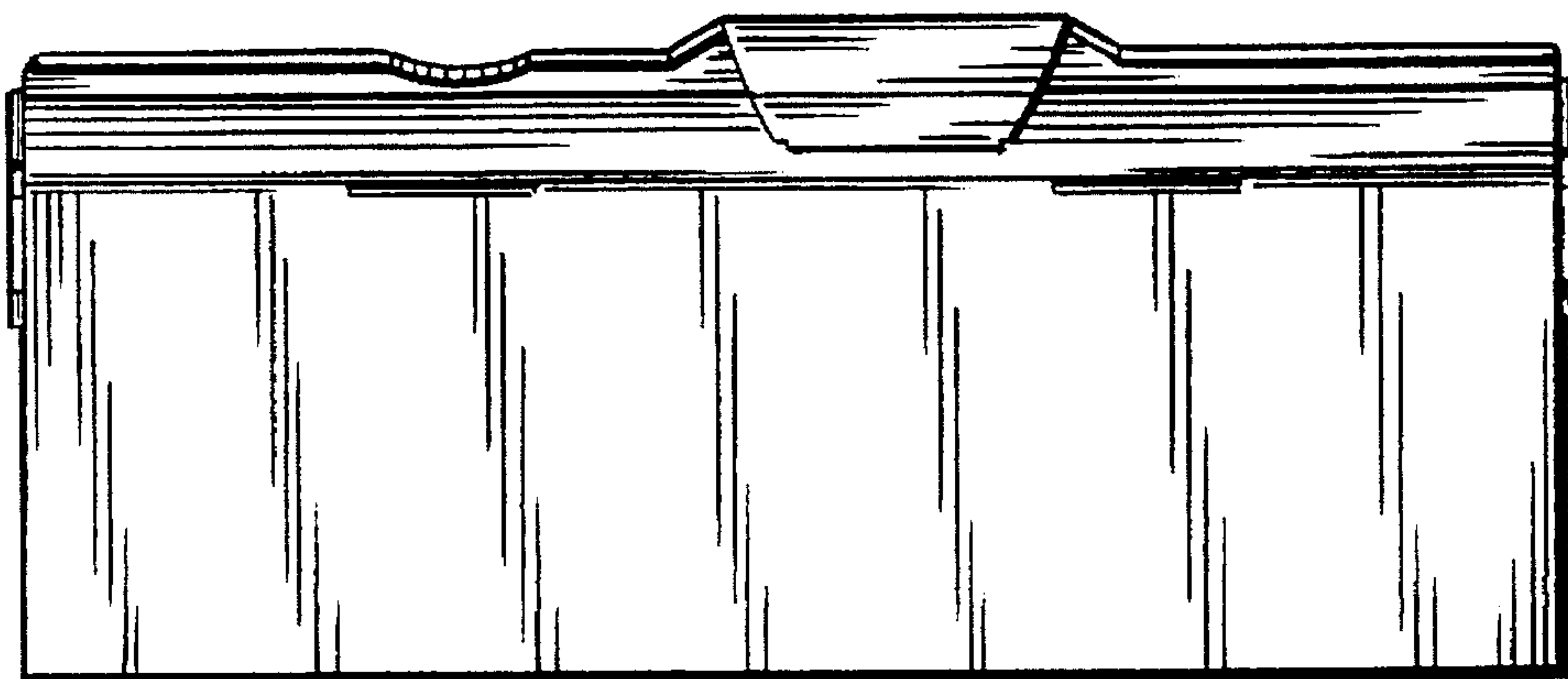


FIG. 6

FIG. 7

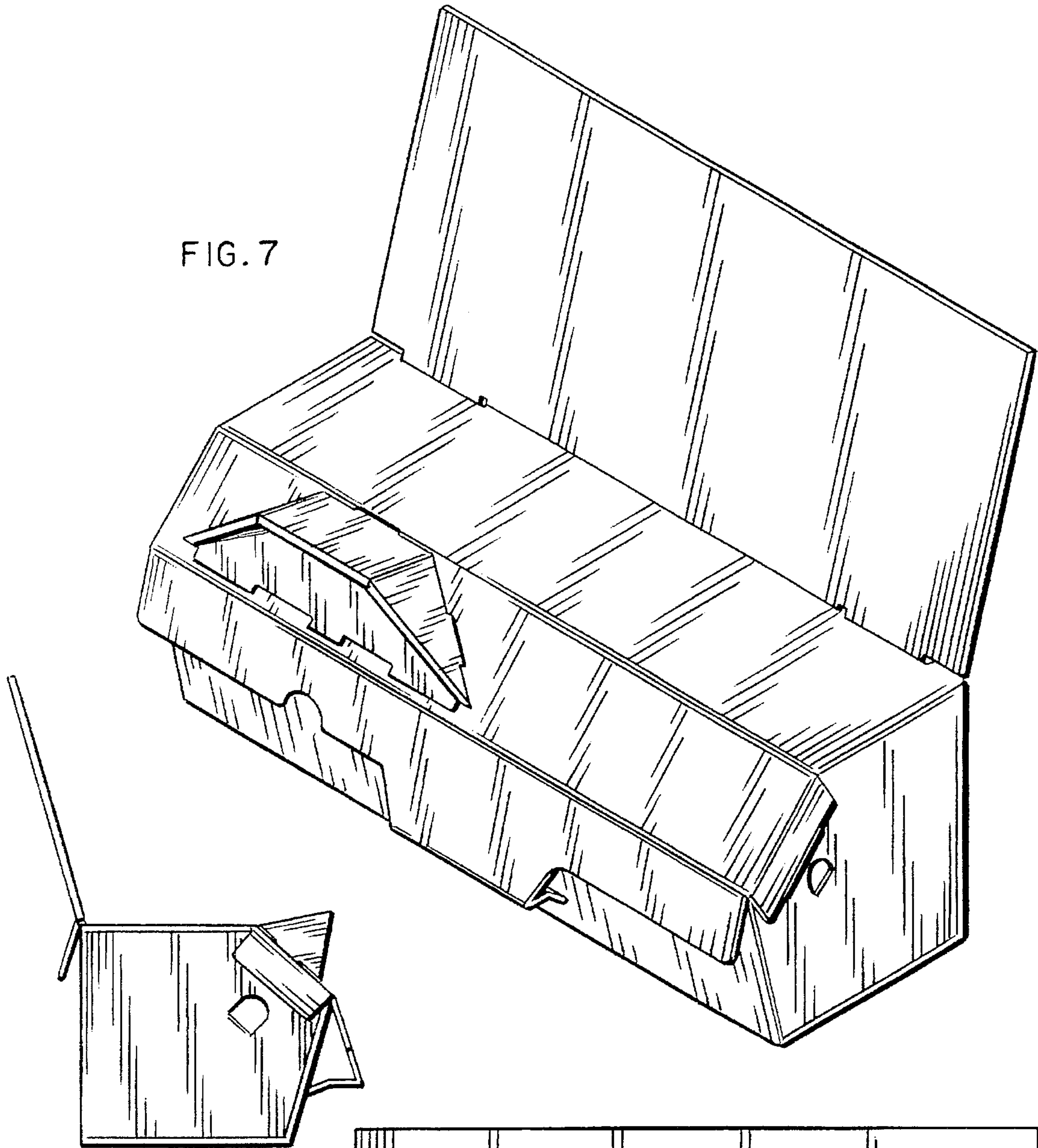


FIG. 9

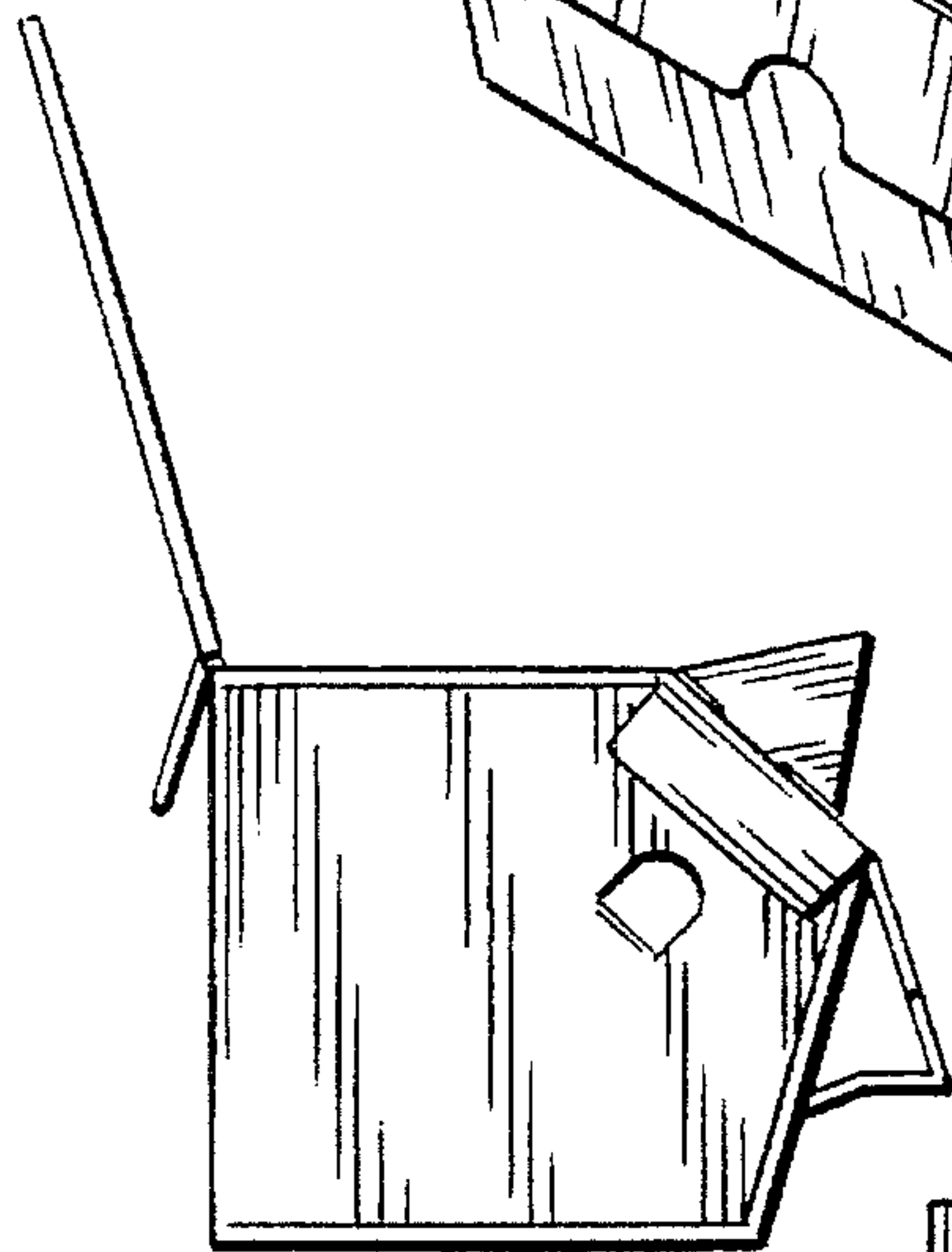
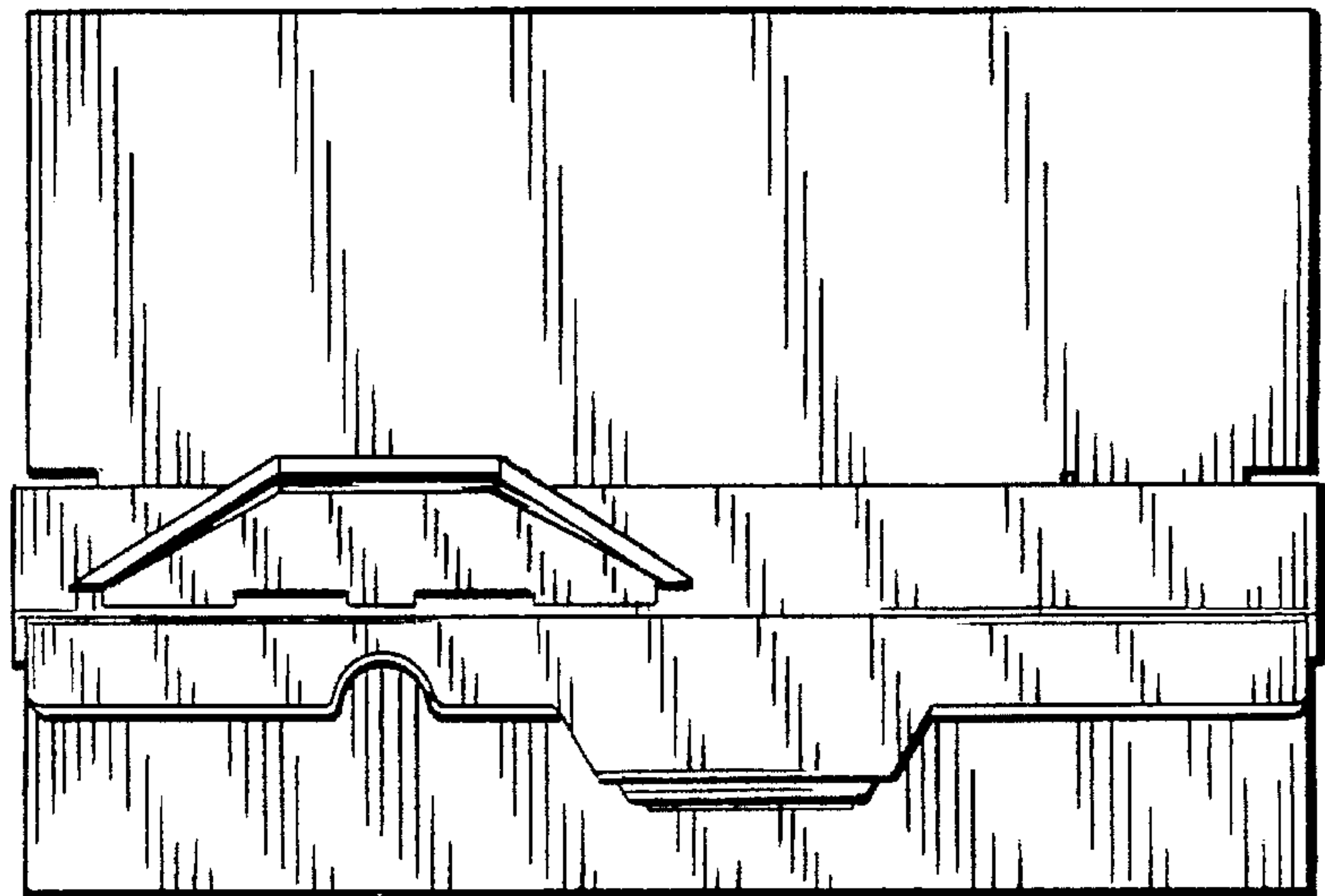


FIG. 8



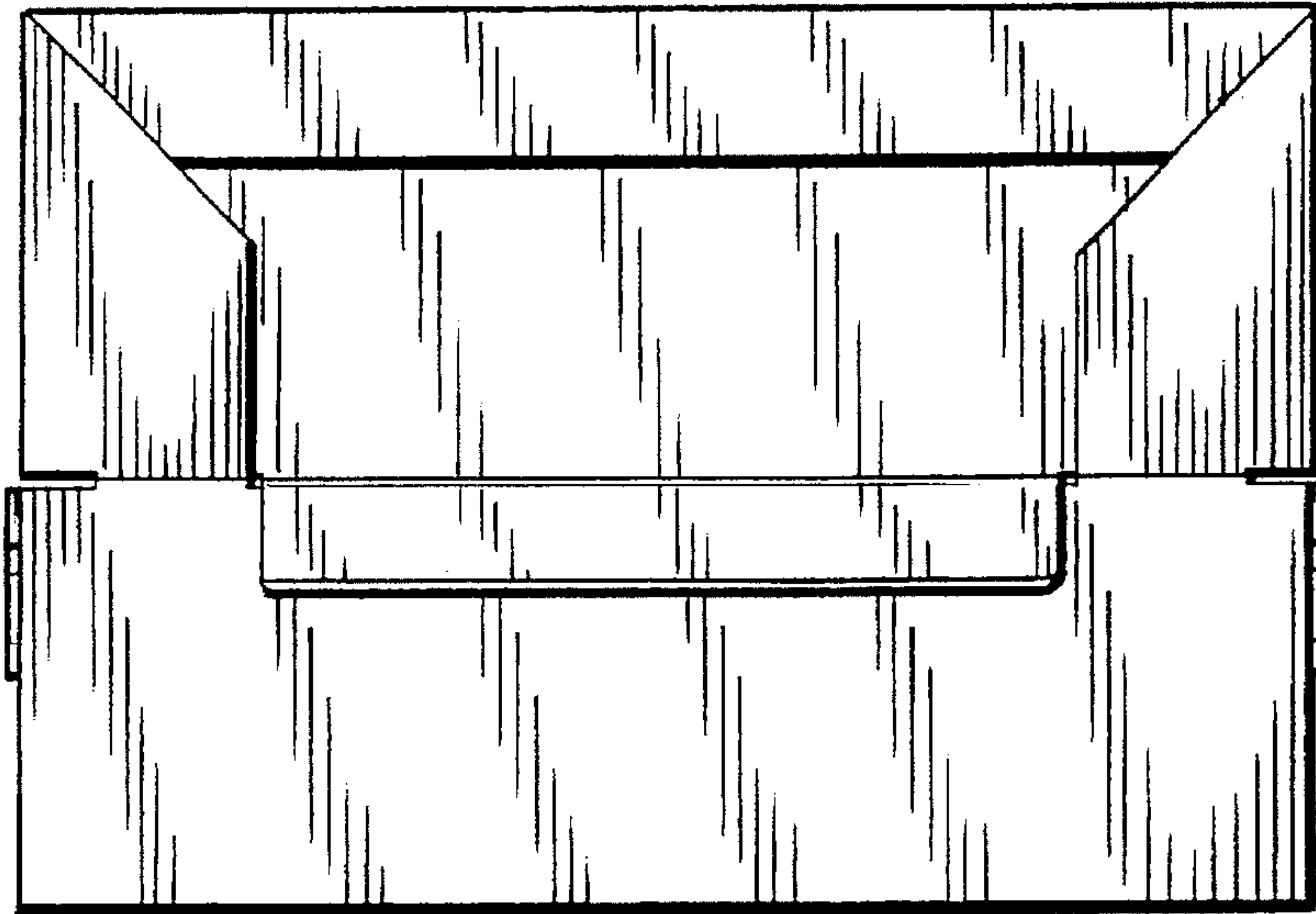


FIG. 10

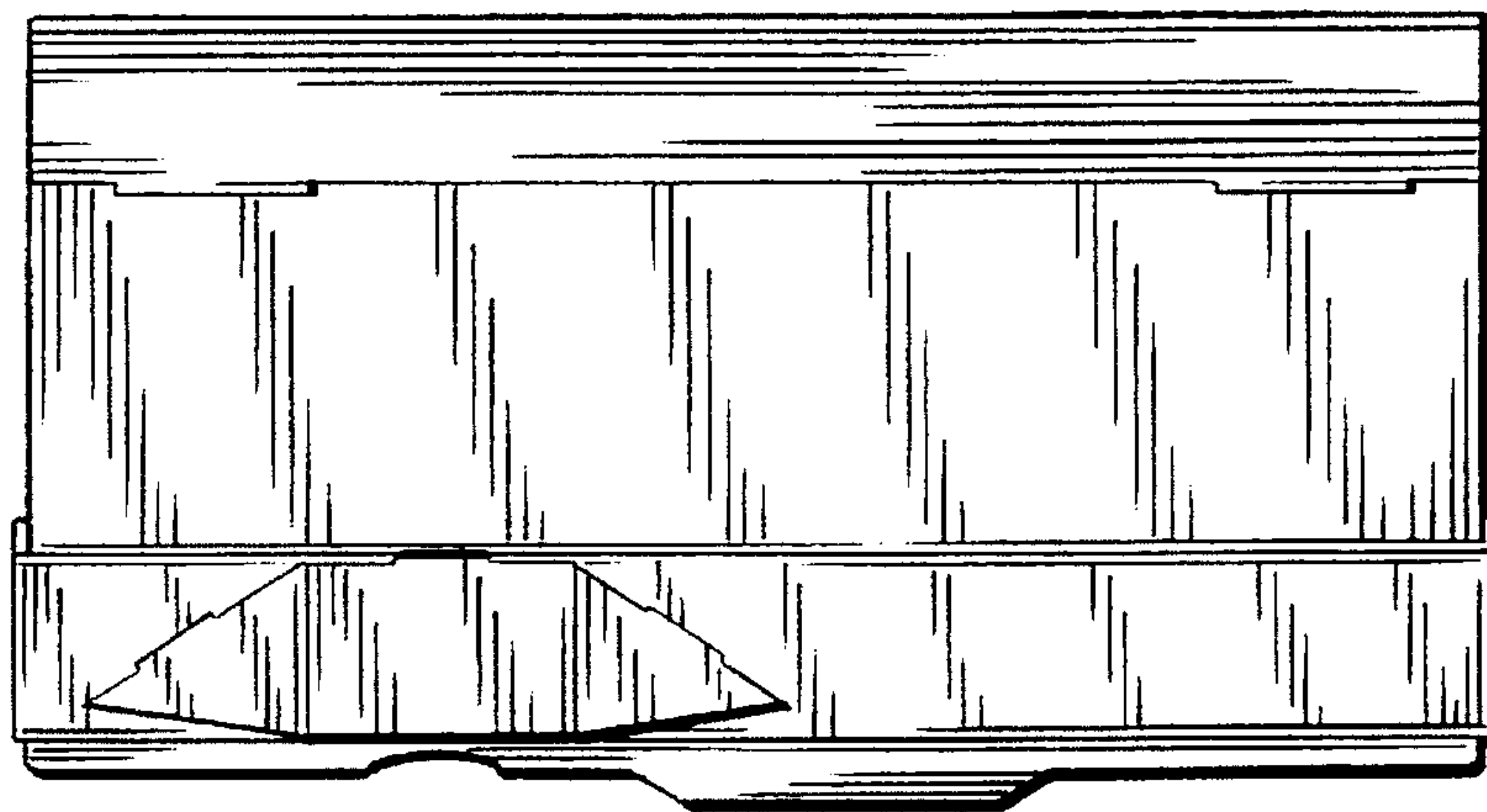


FIG. 11

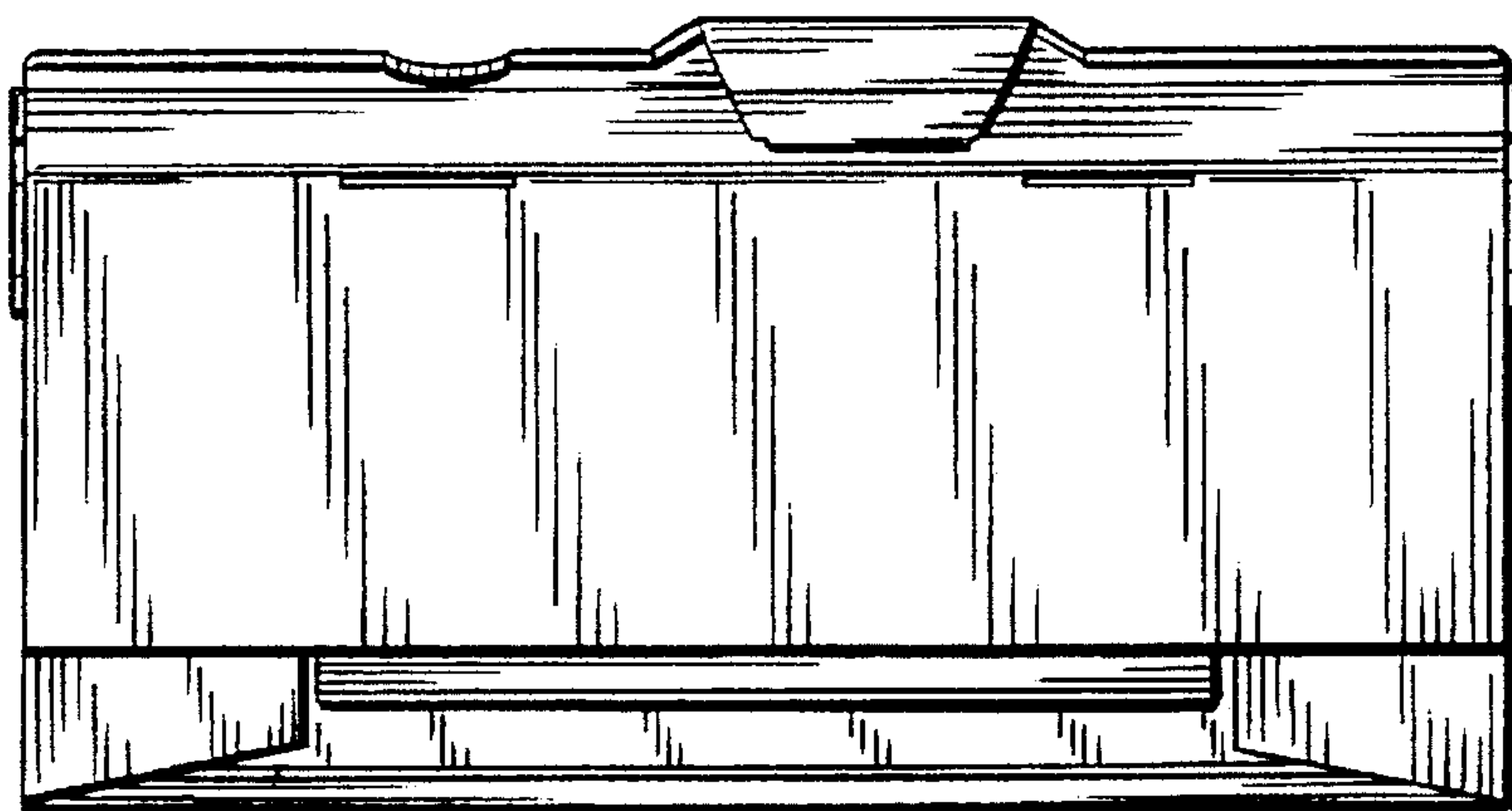


FIG. 12

UNITED STATES PATENT AND TRADEMARK OFFICE
CERTIFICATE OF CORRECTION

PATENT NO. : Des. 381,265

DATED : July 22, 1997

INVENTOR(S) : Henri Lenterman, Culver City, Calif.

It is certified that error appears in the above-identified patent and that said Letters Patent is hereby corrected as shown below:

Cover page, Field [73] Assignee:

Change "Intermarketing, Inc., Woodland Hills, Calif."

To -- Intromarketing, Inc., Woodland Hills, Calif. --

Signed and Sealed this
Sixteenth Day of December, 1997



Attest:

BRUCE LEHMAN

Attesting Officer

Commissioner of Patents and Trademarks