



US00D381264S

**United States Patent** [19]  
**Lippincott**

[11] **Patent Number:** **Des. 381,264**  
[45] **Date of Patent:** **\*\*Jul. 22, 1997**

[54] **PANELLED FOOD PACKAGE**

[75] **Inventor:** **Howard C. Lippincott**, Madison, Wis.

[73] **Assignee:** **Kraft Foods, Inc.**, Northfield, Ill.

[\*\*] **Term:** **14 Years**

[21] **Appl. No.:** **39,353**

[22] **Filed:** **May 26, 1995**

[51] **LOC (6) Cl.** ..... **09-07**

[52] **U.S. Cl.** ..... **D9/418; D9/347; D9/425**

[58] **Field of Search** ..... **D9/418, 415, 425, D9/337, 416, 424, 431; D7/553, 554, 552, 602; 206/45.31, 45.34, 216, 541, 469, 562, 563; 229/162, 903, DIG. 13; 220/501, 653, 4.26, 521, 654, DIG. 10, 23.8, 23.4; 426/106-123**

[56] **References Cited**

**U.S. PATENT DOCUMENTS**

- D. 224,207 7/1972 Cyr et al. .
- D. 235,499 6/1975 Day .
- D. 305,204 12/1989 Reifein et al. .... D9/418
- D. 305,205 12/1989 Grindrod et al. .... D9/418
- D. 328,566 8/1992 Griesbach et al. .... D9/425
- D. 335,442 5/1993 Detert et al. .... D9/425 X
- D. 335,445 5/1993 Detert et al. .... D9/418
- D. 335,820 5/1993 Detert et al. .... D9/425 X
- D. 335,821 5/1993 Detert et al. .... D9/418
- D. 336,241 6/1993 Detert et al. .... D9/418
- D. 336,242 6/1993 Detert et al. .... D9/418
- D. 337,048 7/1993 Detert et al. .... D9/418
- D. 337,268 7/1993 Detert et al. .... D9/418
- D. 339,743 9/1993 Zellner et al. .... D9/347

- 3,079,912 3/1963 Griem ..... 426/114 X
- 3,759,720 9/1973 Young ..... 426/114
- 4,013,798 3/1977 Goltos ..... 426/114 X
- 4,684,013 8/1987 Jacobs ..... 220/23.8 X
- 5,042,652 8/1991 Grindrod ..... 206/45.34
- 5,119,940 6/1992 Grindrod ..... 206/564 X
- 5,123,527 6/1992 Hustad ..... 206/45.31
- 5,236,119 8/1993 Chu .
- 5,312,634 5/1994 Griesbach et al. .... 426/106
- 5,375,701 12/1994 Hustad et al. .... 206/45.18
- 5,421,510 6/1995 Calvert .

**OTHER PUBLICATIONS**

Restaurant Equipment Dealer, 1967, p. 2.  
Oscar Mayer Lunchables® advertisements circa. 1990 and multi-view photographs of Lunchables® tray.

*Primary Examiner*—Prabhakar G. Deshmukh  
*Attorney, Agent, or Firm*—Lockwood, Alex, Fitzgibbon & Cummings

[57] **CLAIM**

The ornamental design for a panelled food package, as shown and described.

**DESCRIPTION**

FIG. 1 is a perspective view of a panelled food package showing my new design;  
FIG. 2 is a top plan view thereof;  
FIG. 3 is a left side elevational view thereof;  
FIG. 4 is a right side elevational view thereof;  
FIG. 5 is a front elevational view thereof;  
FIG. 6 is a rear elevational view thereof; and,  
FIG. 7 is a bottom plan view thereof.

**1 Claim, 3 Drawing Sheets**

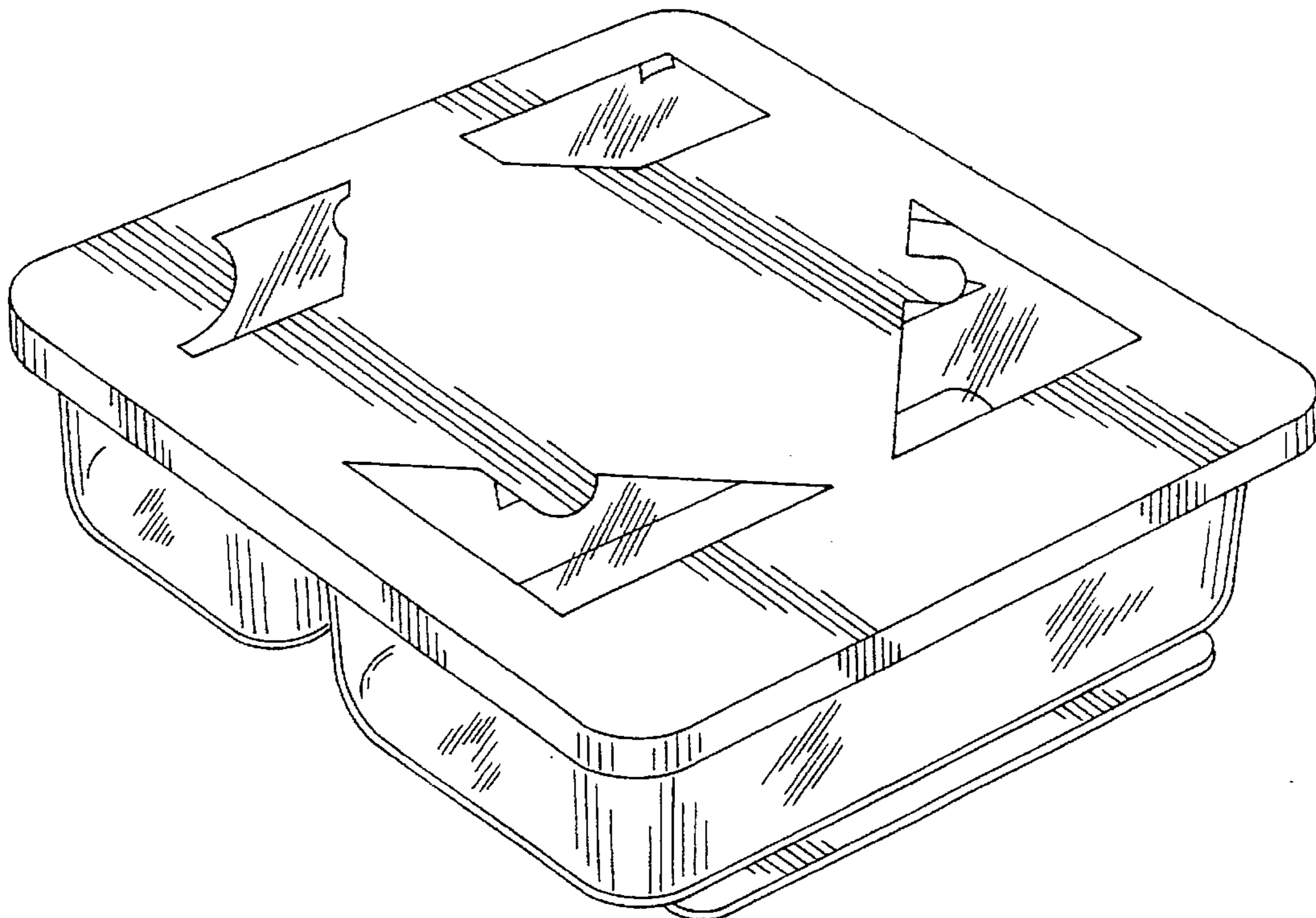


FIG. 1

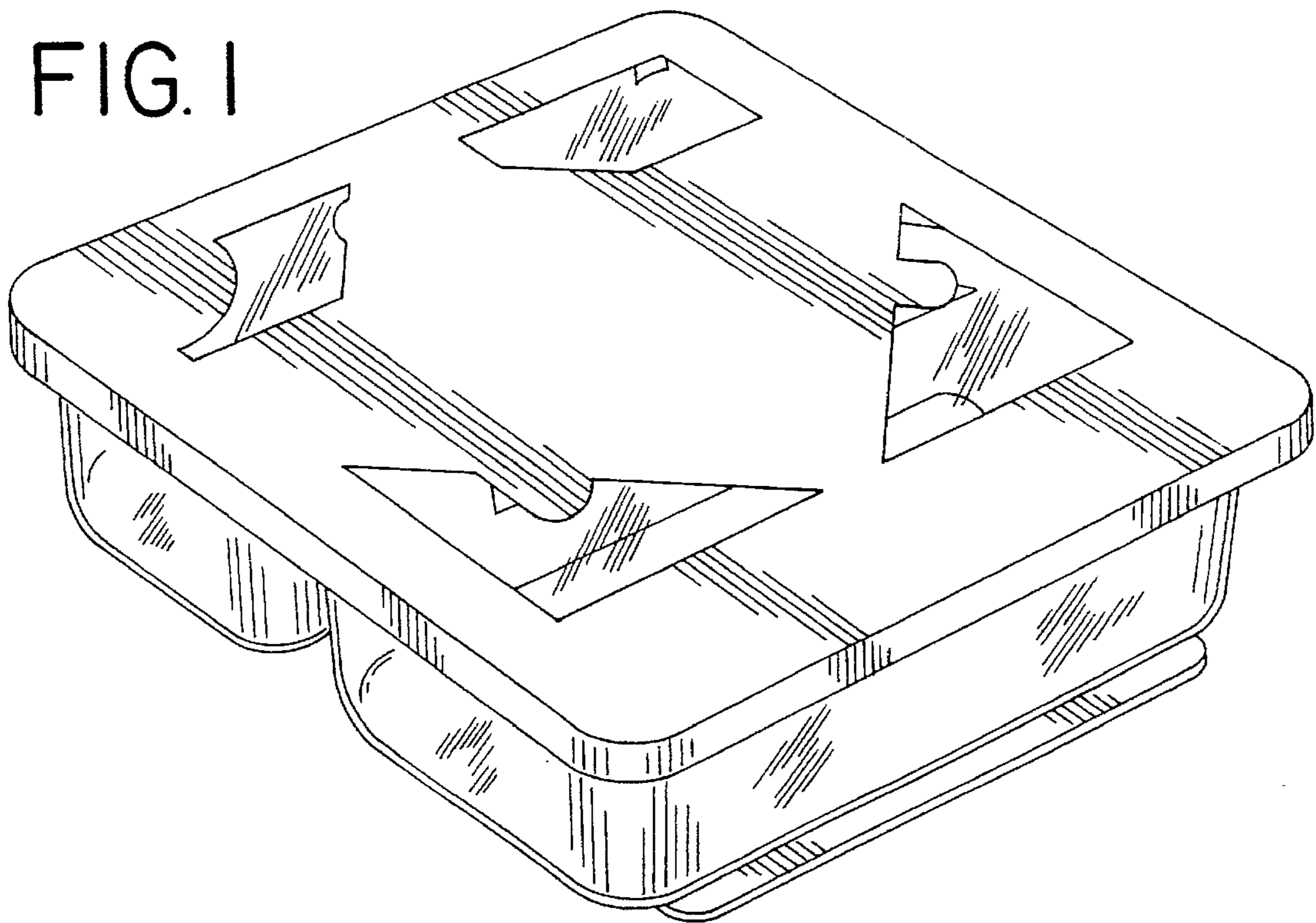


FIG. 2

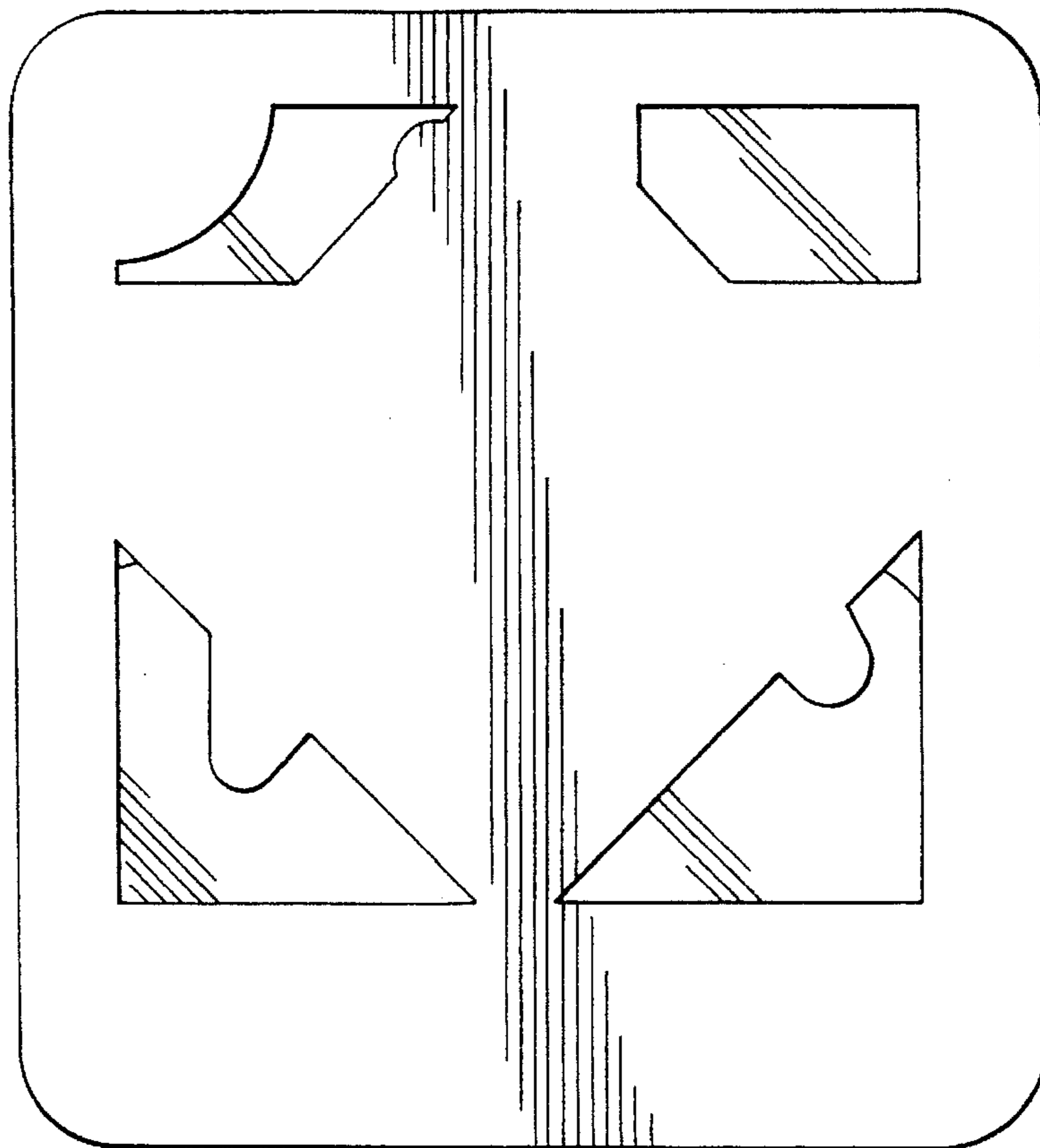


FIG. 3

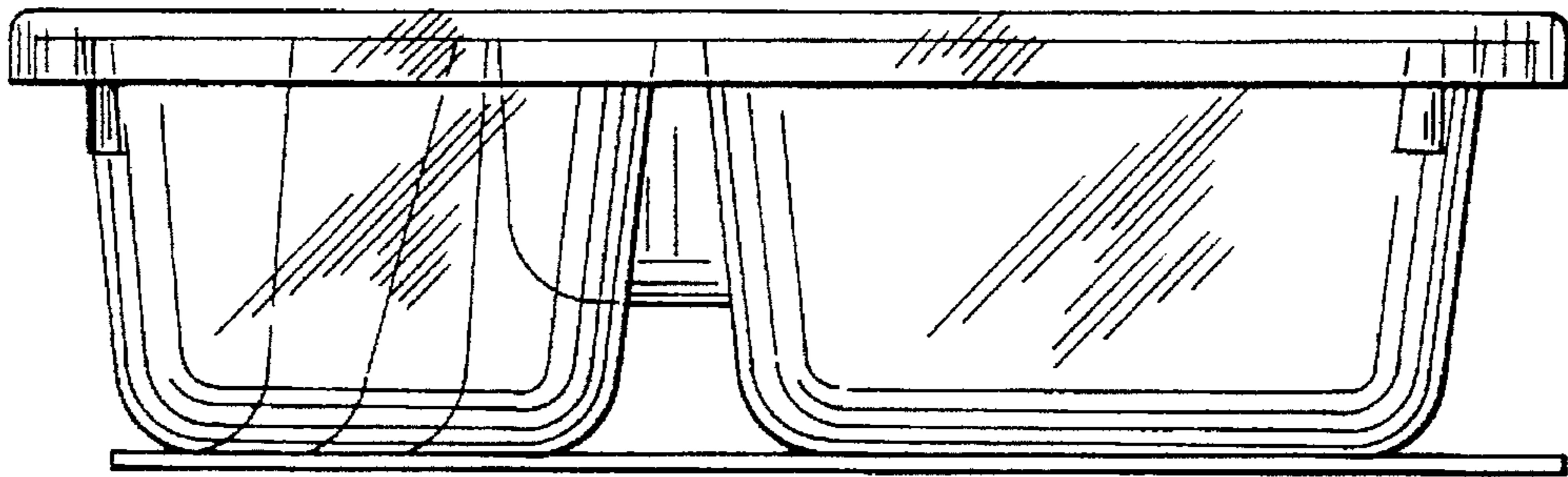


FIG. 4

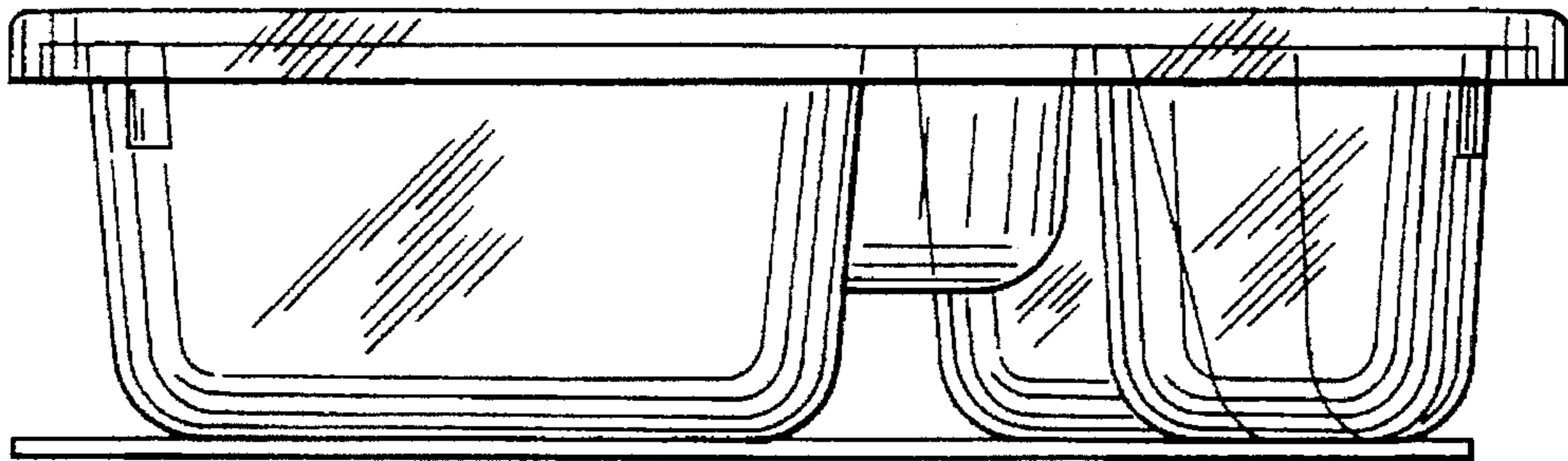


FIG. 5

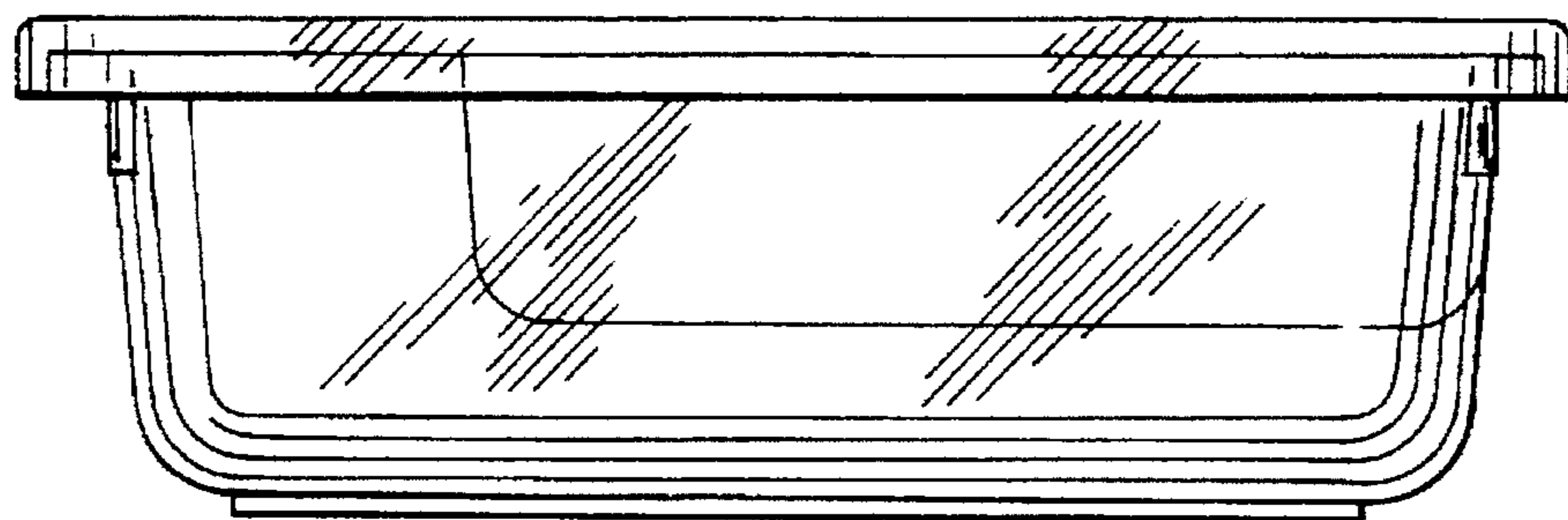


FIG. 6

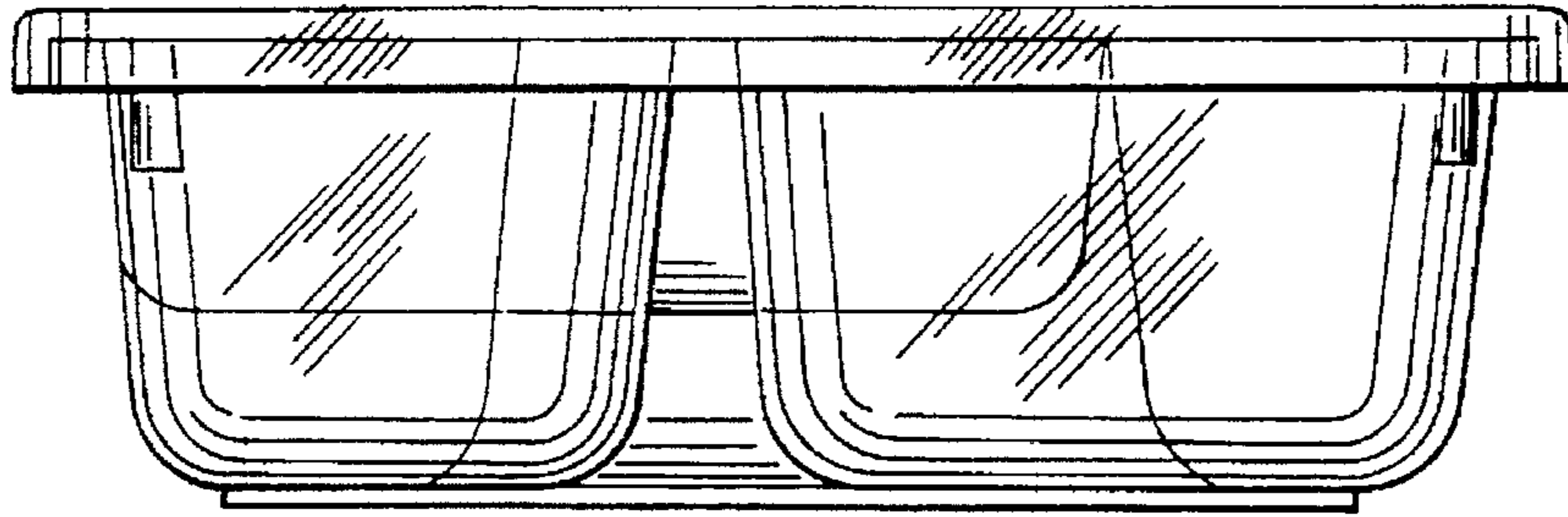


FIG. 7

