



US00D381263S

# United States Patent [19]

O'Brien et al.

[11] Patent Number: Des. 381,263

[45] Date of Patent: \*\*Jul. 22, 1997

[54] PACKAGE

[76] Inventors: **Patricia O'Brien**, 294 Stoughton Ave., Cranford, N.J. 07016; **Rod Borst**, 5713 Vineyard Rd., Oregon, Wis. 53575

[\*\*] Term: 14 Years

[21] Appl. No.: 36,453

[22] Filed: Mar. 1, 1995

### Related U.S. Application Data

[63] Continuation of Ser. No. 16,102, Dec. 7, 1993, abandoned.

[51] LOC (6) Cl. .... 09-07

[52] U.S. Cl. .... D9/415

[58] Field of Search ..... D9/415, 418, 337, D9/457, 517, 341, 345; 206/461, 471, 495, 45.31, 45.34, 44 R

### [56] References Cited

#### U.S. PATENT DOCUMENTS

- D. 275,835 10/1984 Borst ..... D9/415
- D. 292,879 11/1987 Smith ..... D9/415 X
- D. 303,763 10/1989 De Marco ..... D9/415
- D. 306,404 3/1990 Hill ..... D9/415

- D. 326,814 6/1992 Arai ..... D9/415
- D. 348,392 7/1994 Tannen ..... D9/415
- D. 349,457 8/1994 Nottingham et al. .... D9/415
- 4,512,474 4/1985 Harding ..... 206/461
- 4,697,700 10/1987 Cuijsman ..... 206/470 X
- 4,848,541 7/1989 Paliotta et al. .... 206/461 X

### OTHER PUBLICATIONS

Techform Inc. Nov. 1982.  
Packaging, 1982 p. 300.

Primary Examiner—Prabhakar G. Deshmukh

### [57] CLAIM

The ornamental design for a package, as shown and described.

### DESCRIPTION

FIG. 1 is a perspective view of a package showing our new design;  
 FIG. 2 is a side elevational view thereof, the other side being a mirror image;  
 FIG. 3 is a top plan view thereof;  
 FIG. 4 is a front elevational view thereof;  
 FIG. 5 is a rear elevational view thereof; and,  
 FIG. 6 is a bottom plan view thereof.

1 Claim, 3 Drawing Sheets

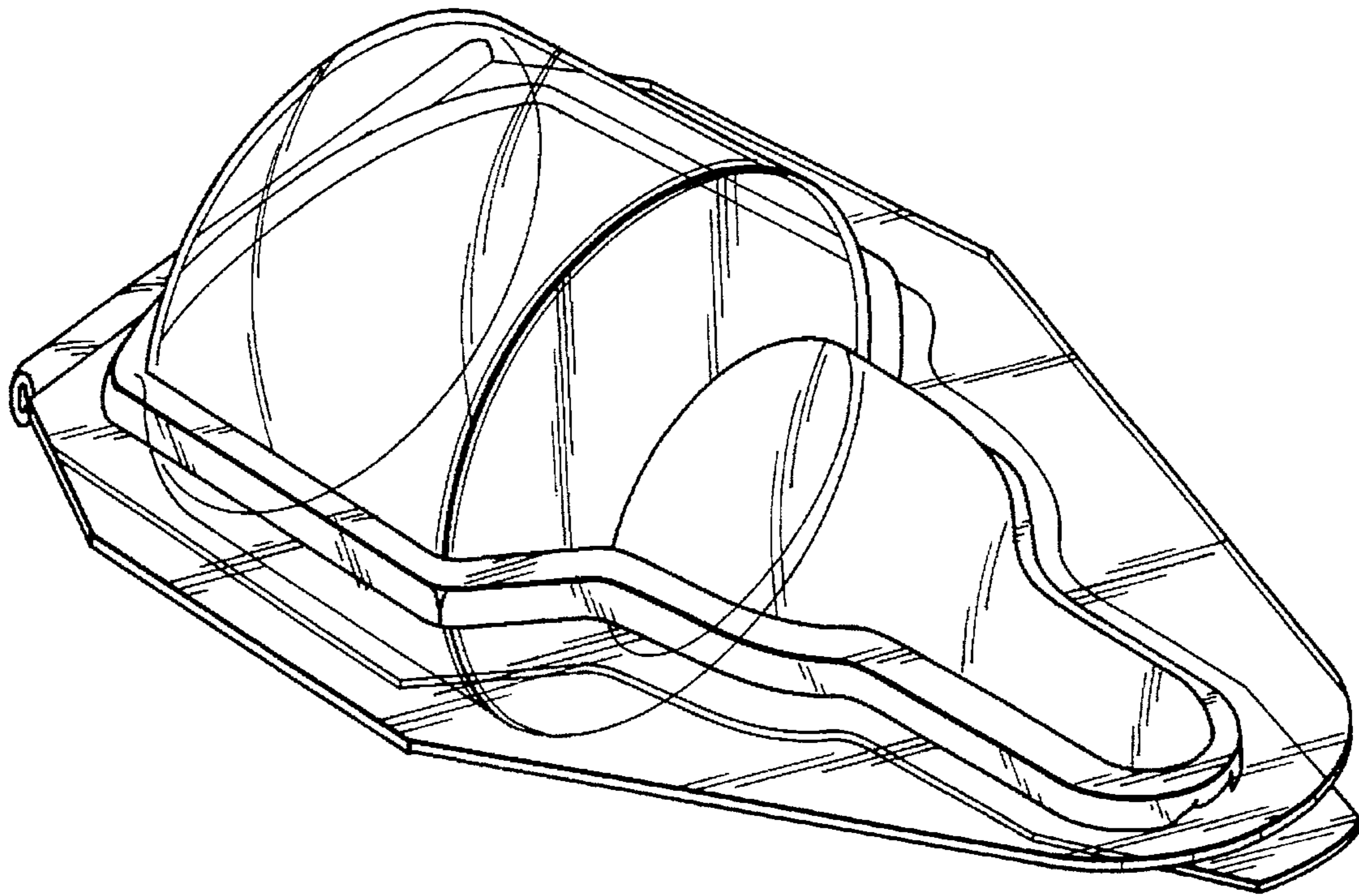


FIG.1

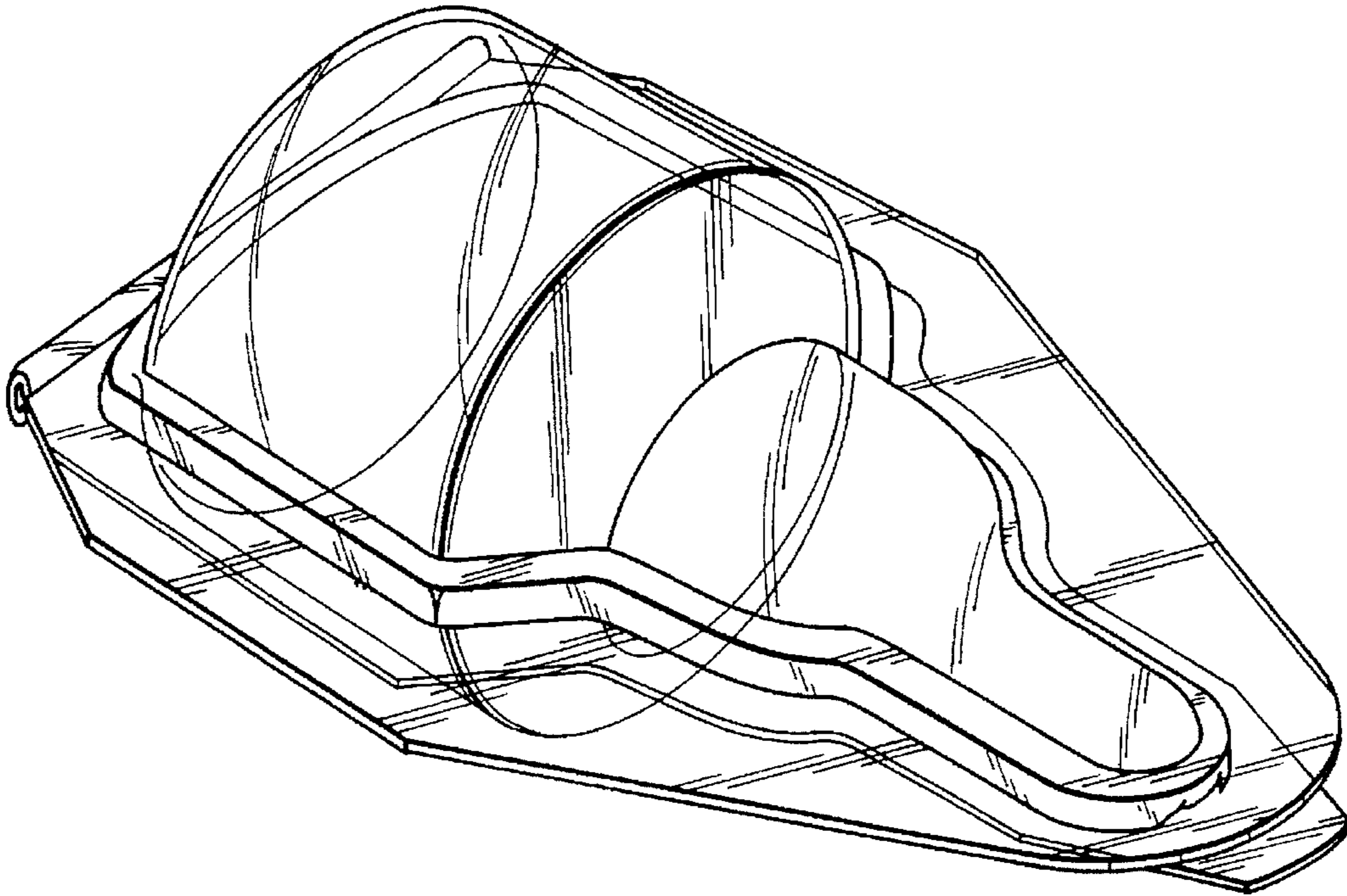


FIG.2

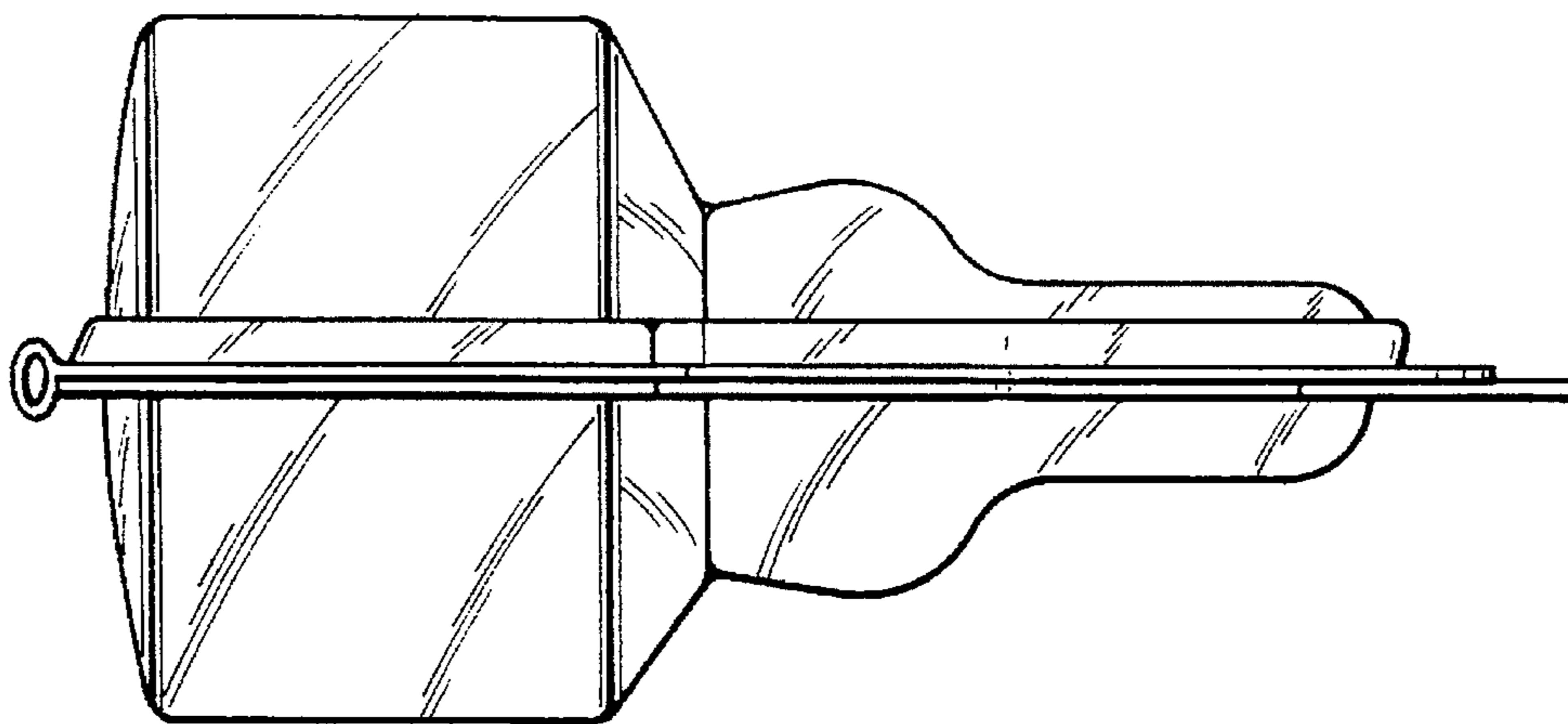


FIG.3

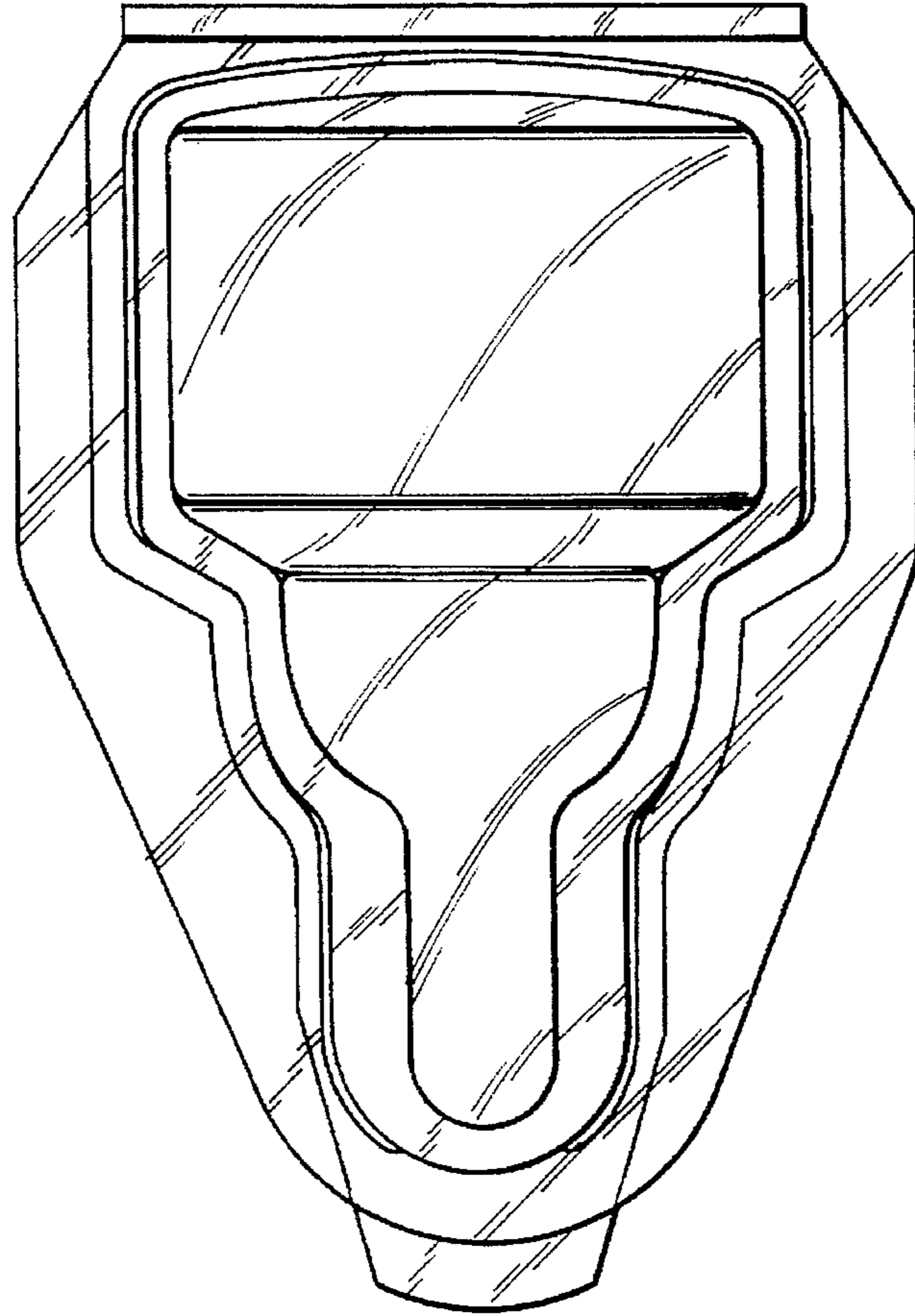


FIG.4

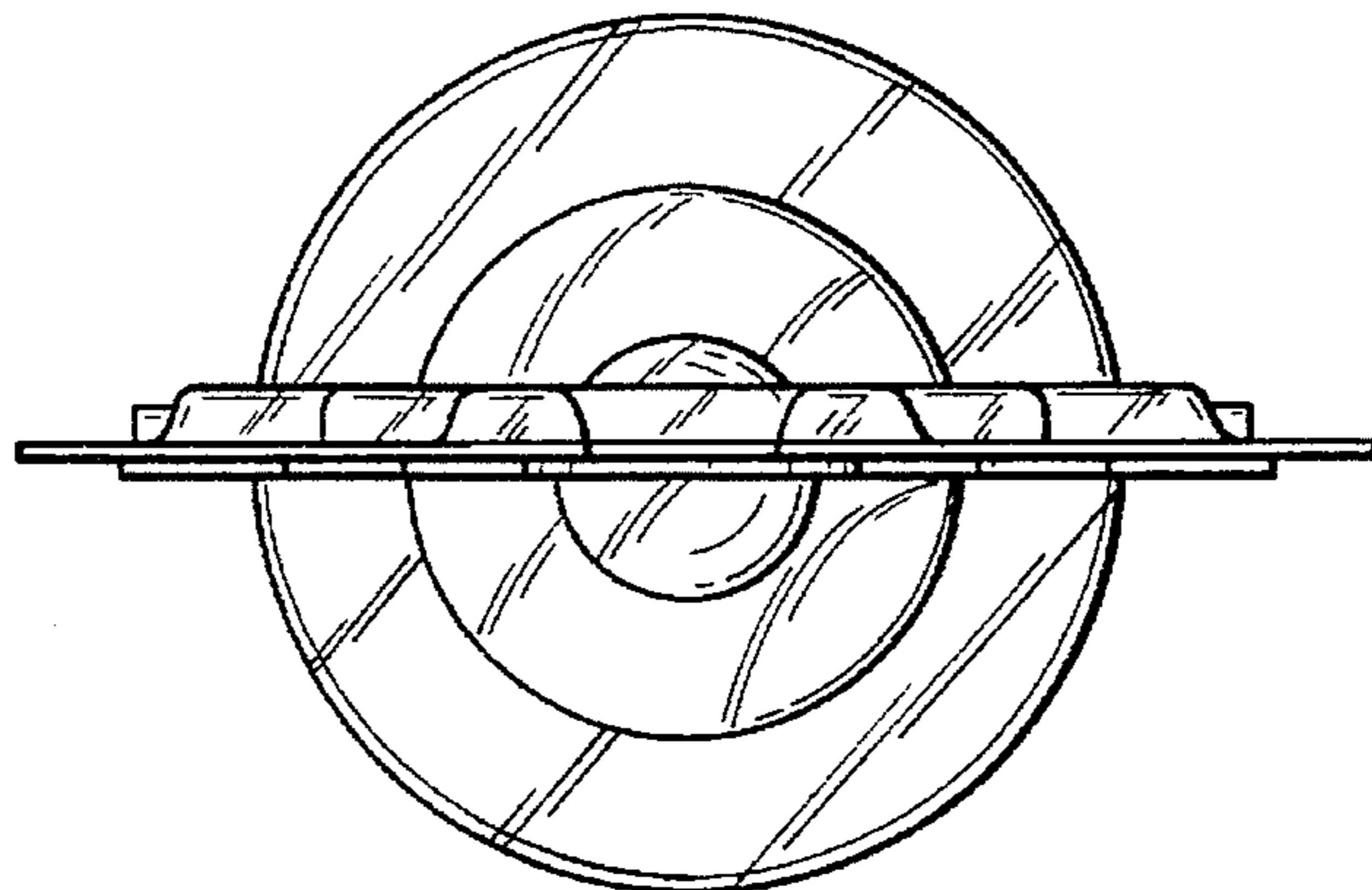


FIG.5

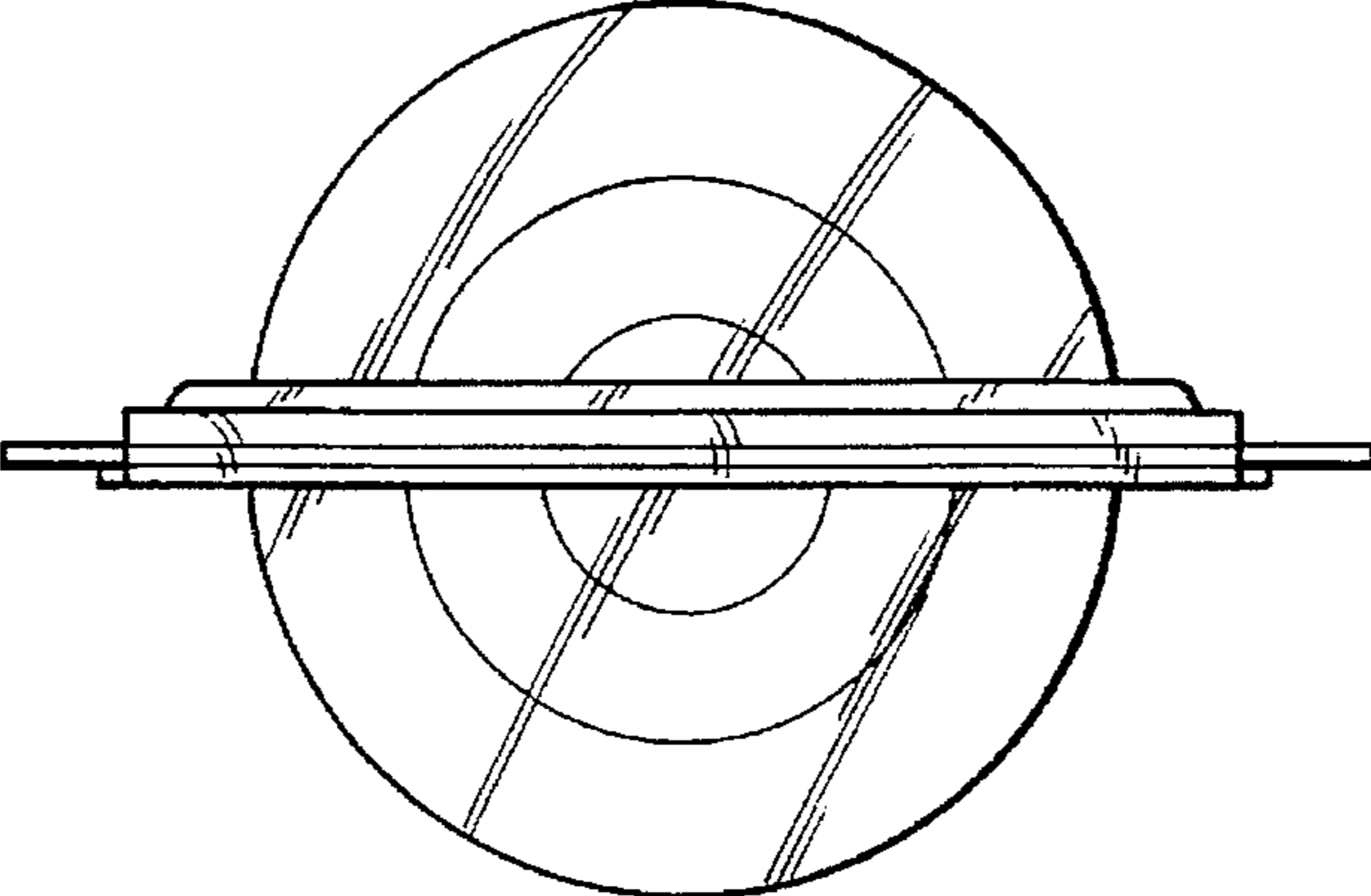


FIG.6

