



US00D381258S

United States Patent [19]
Saito

[11] **Patent Number:** **Des. 381,258**

[45] **Date of Patent:** ****Jul. 22, 1997**

[54] **PANEL FASTENER**

5,301,396 4/1994 Benoit 24/297 X
5,319,839 6/1994 Shimajiri 24/297 X

[75] **Inventor:** **Kazuo Saito**, Yokohama, Japan

Primary Examiner—Paula A. Mortimer

[73] **Assignee:** **Nifco Inc.**, Yokohama, Japan

Attorney, Agent, or Firm—Oblon, Spivak, McClelland, Maier & Neustadt, P.C.

[**] **Term:** **14 Years**

[57] **CLAIM**

[21] **Appl. No.:** **42,314**

The ornamental design for a panel fastener, as shown and described.

[22] **Filed:** **Aug. 7, 1995**

DESCRIPTION

[30] **Foreign Application Priority Data**

FIG. 1 is a top and right front perspective view of a panel fastener, showing my new design;

Feb. 8, 1995 [JP] Japan 7-2886

FIG. 2 is a front elevational view thereof;

[51] **LOC (6) Cl.** **08-08**

FIG. 3 is a right side elevational view thereof;

[52] **U.S. Cl.** **D8/382**

FIG. 4 is a top plan view thereof;

[58] **Field of Search** D8/382, 388, 393,
D8/390, 391; 24/293, 297, 301, 662; 411/500,
501; 248/74.3

FIG. 5 is a bottom plan view thereof;

FIG. 6 is a sectional view thereof, taken along line 6—6 in FIG. 2;

[56] **References Cited**

FIG. 7 is a sectional view thereof, taken along line 7—7 in FIG. 2;

U.S. PATENT DOCUMENTS

FIG. 8 is a sectional view thereof, taken along line 8—8 in FIG. 2; and,

D. 293,882	1/1988	Takahashi	D8/388	X
2,983,008	5/1961	Von Rath	24/297	
3,093,874	6/1963	Rapata	D8/391	X
3,249,973	5/1966	Seckerson	24/297	X
4,363,160	12/1982	Wibrow	24/297	
4,715,095	12/1987	Takahashi	24/297	X
4,861,208	8/1989	Boundy	24/297	X
4,987,656	1/1991	Sato	24/297	
5,046,223	9/1991	Kraus	24/297	X

FIG. 9 is a front elevational view thereof in the state of use.

The rear elevational view and the left side elevational view appear to be identical with the front elevational view and the right side elevational view, respectively.

The panels of FIG. 9 are for illustrative purposes only and form no part of the claimed design.

1 Claim, 4 Drawing Sheets

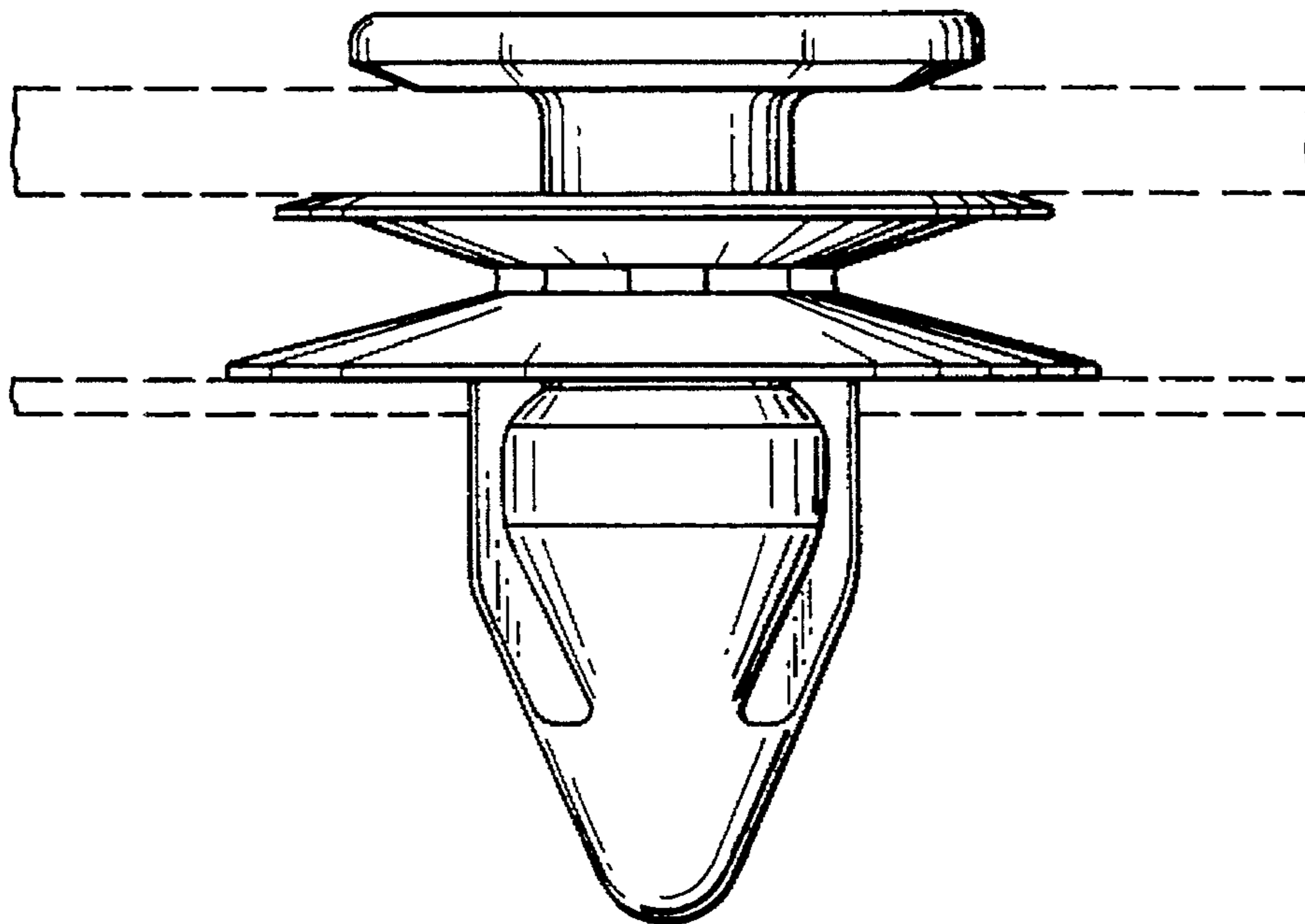


FIG. 1

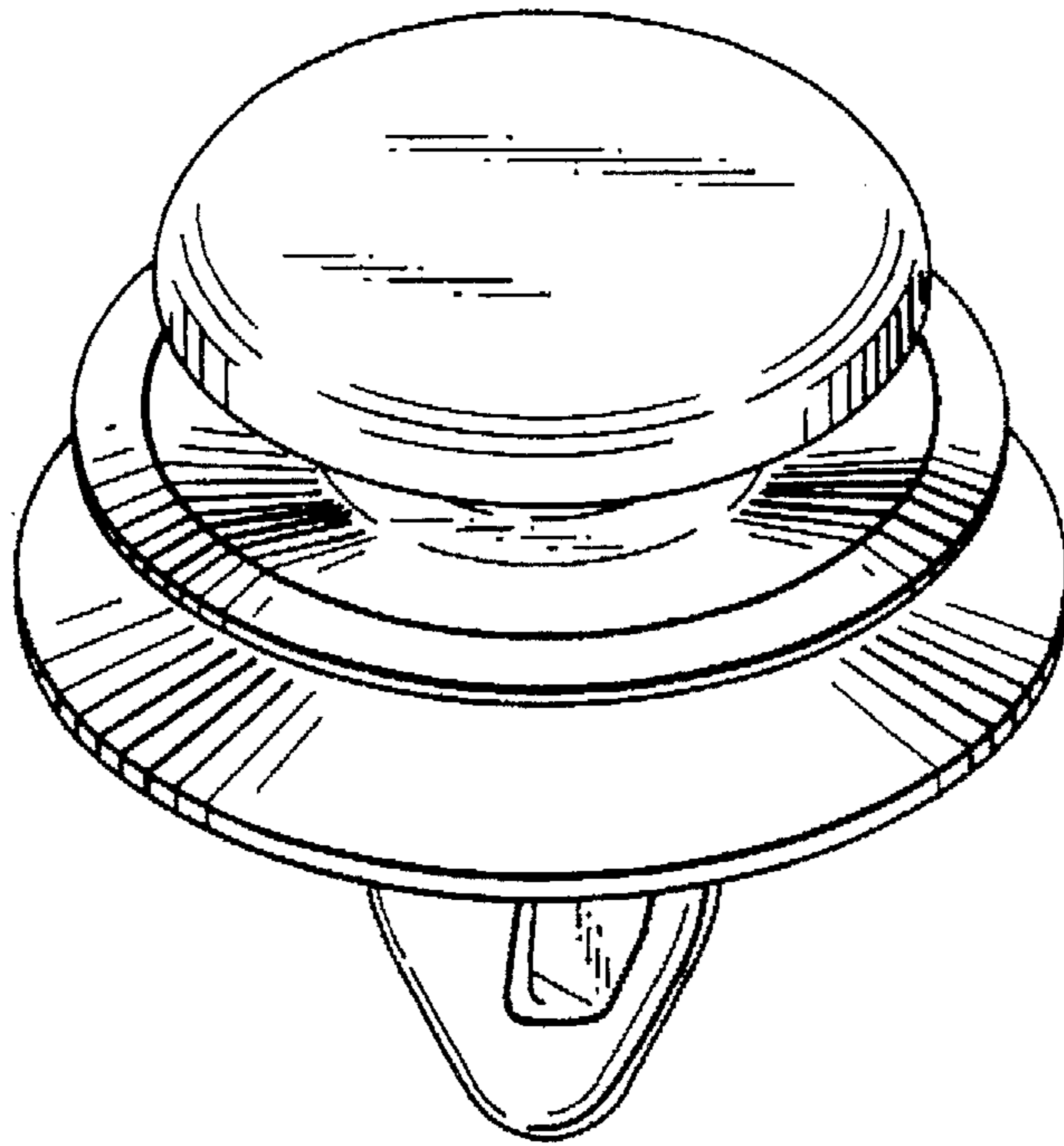


FIG. 2

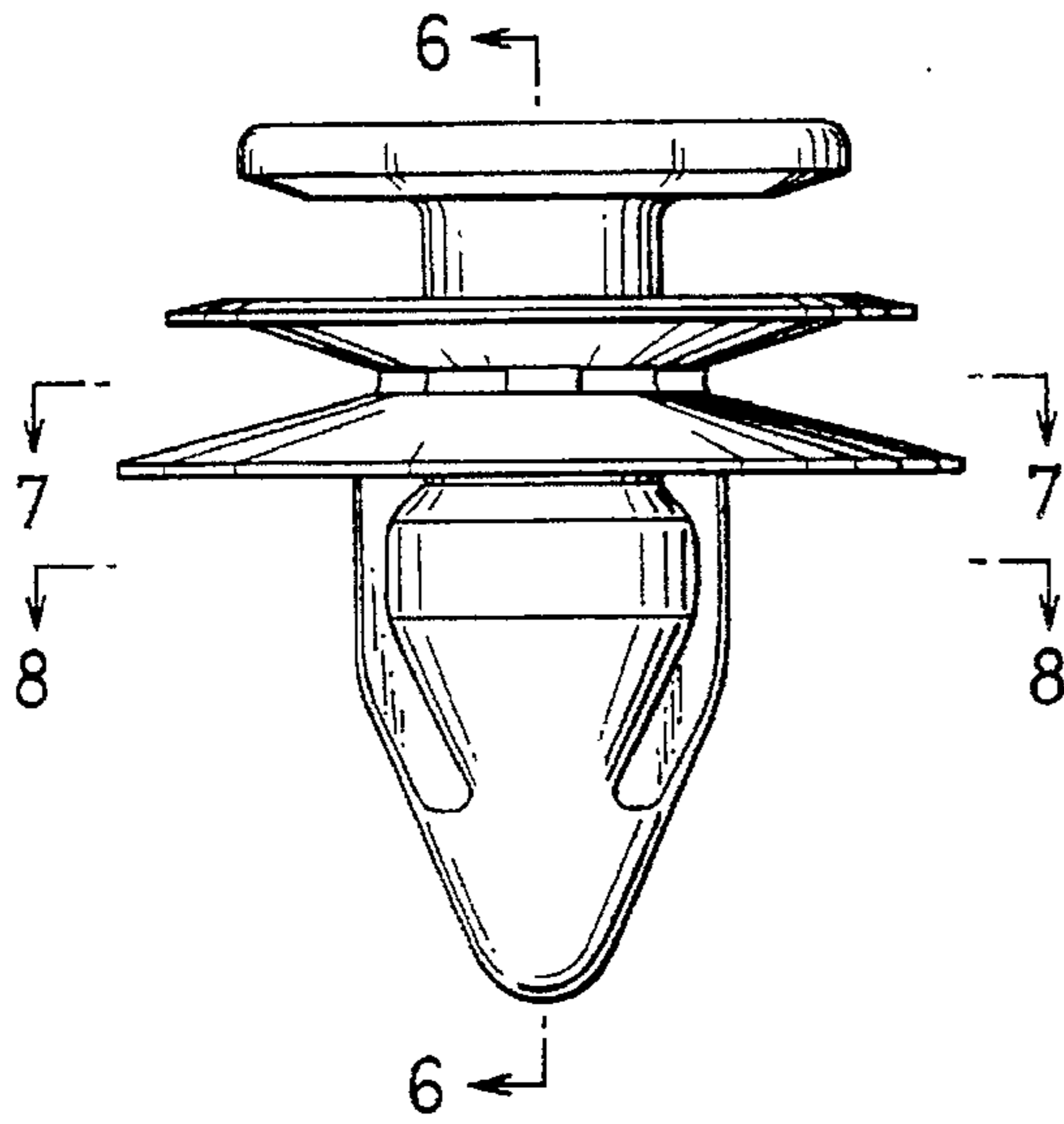


FIG. 3

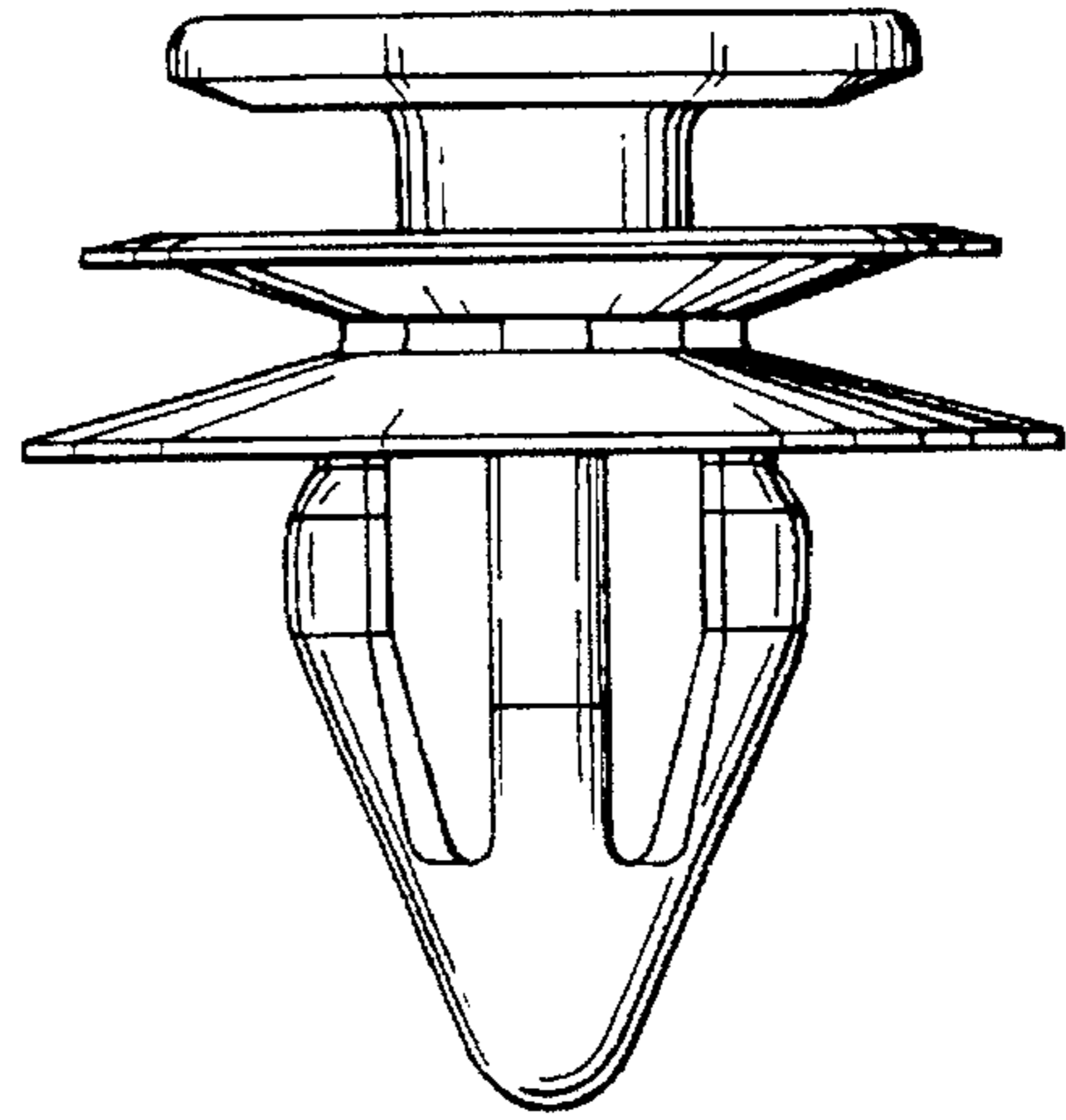


FIG. 4

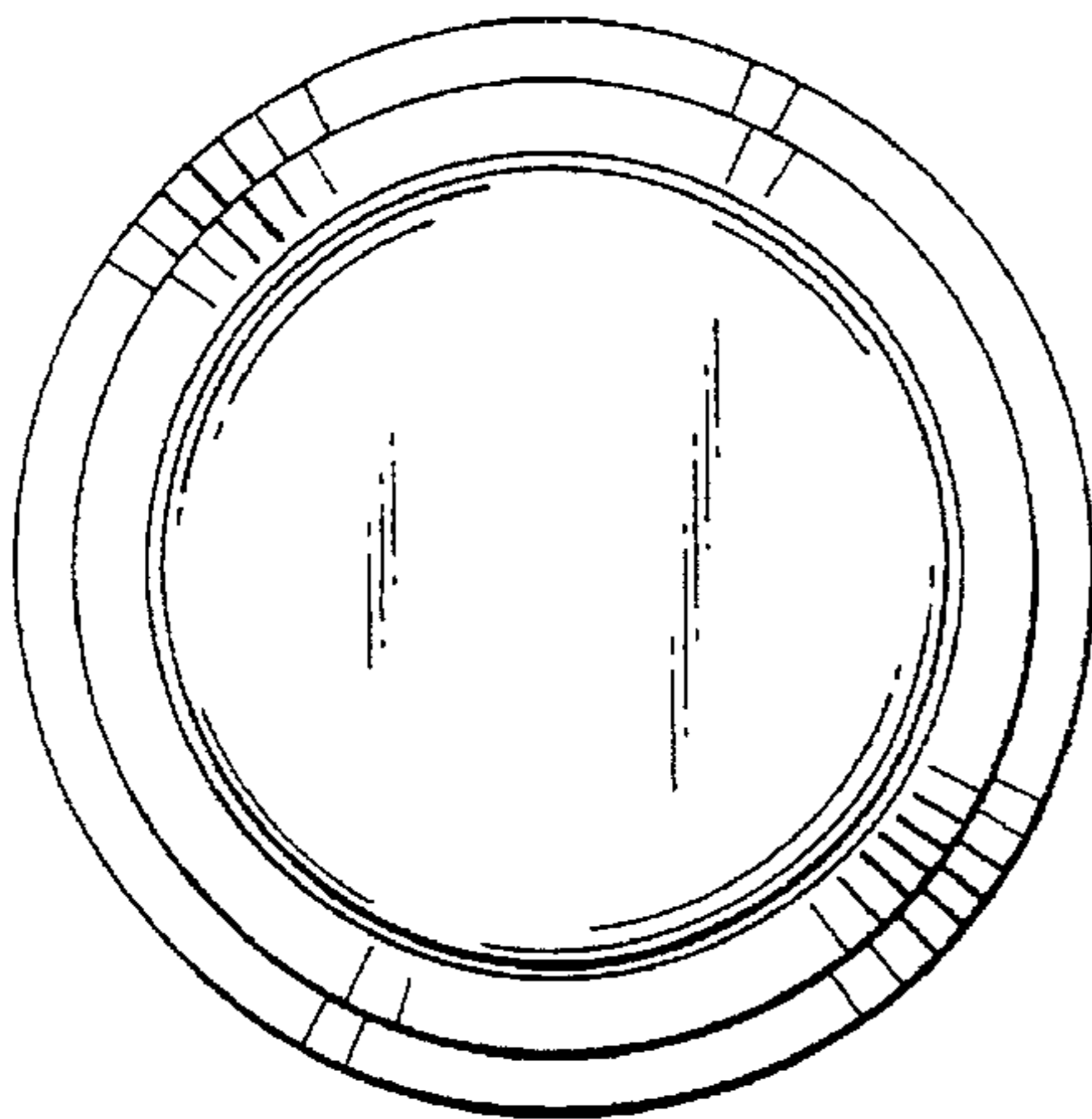


FIG. 5

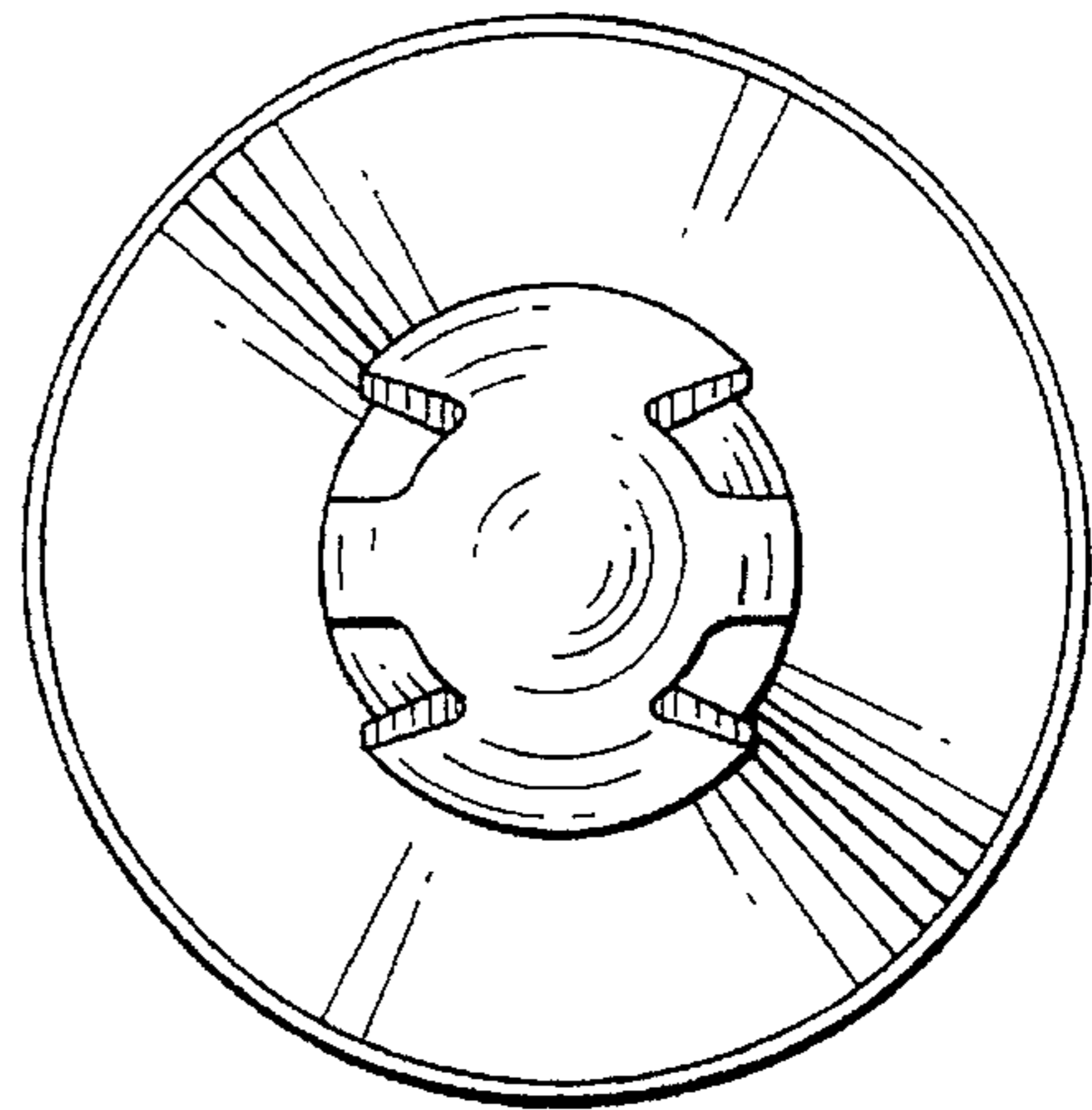


FIG. 6

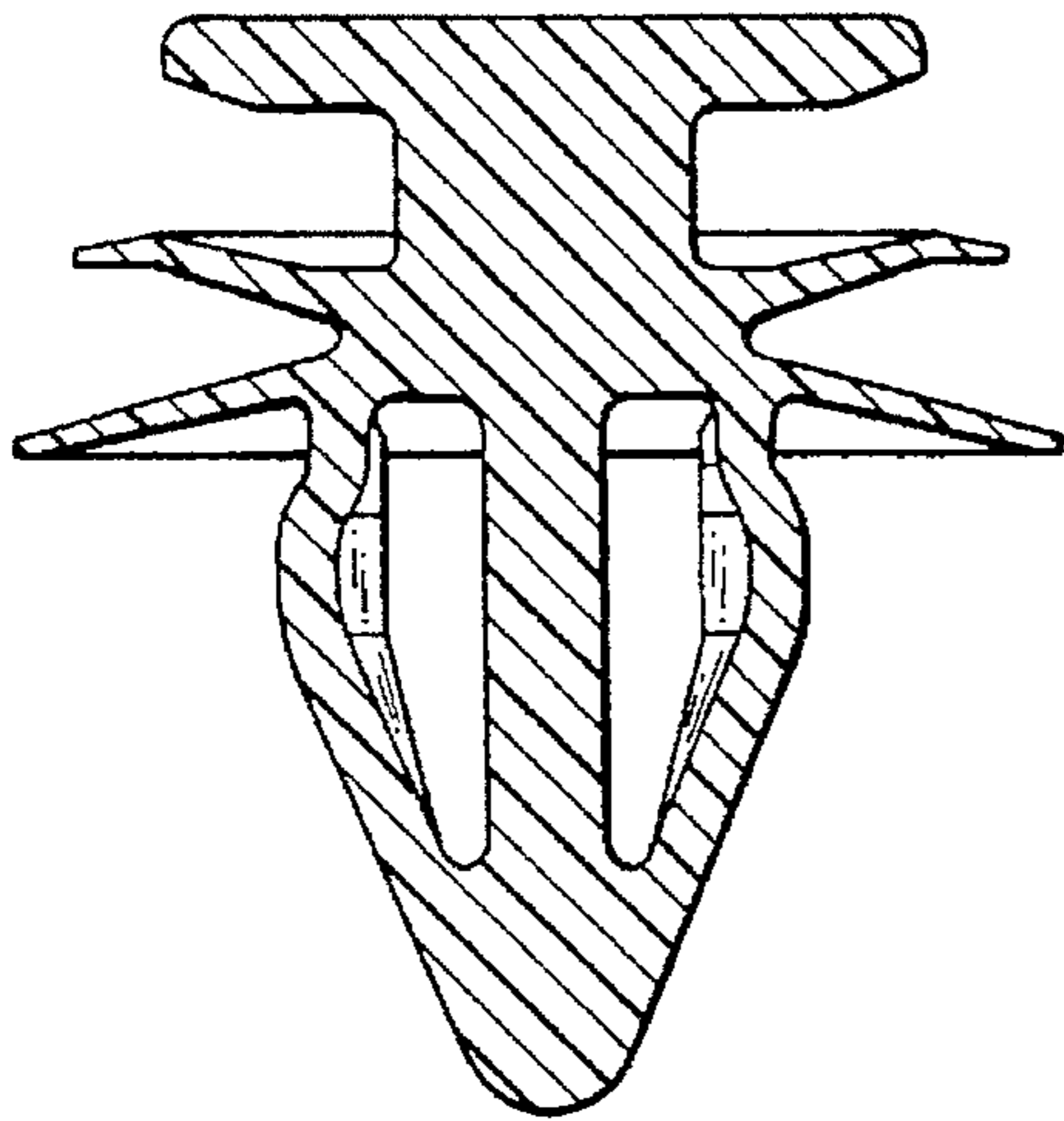


FIG. 7

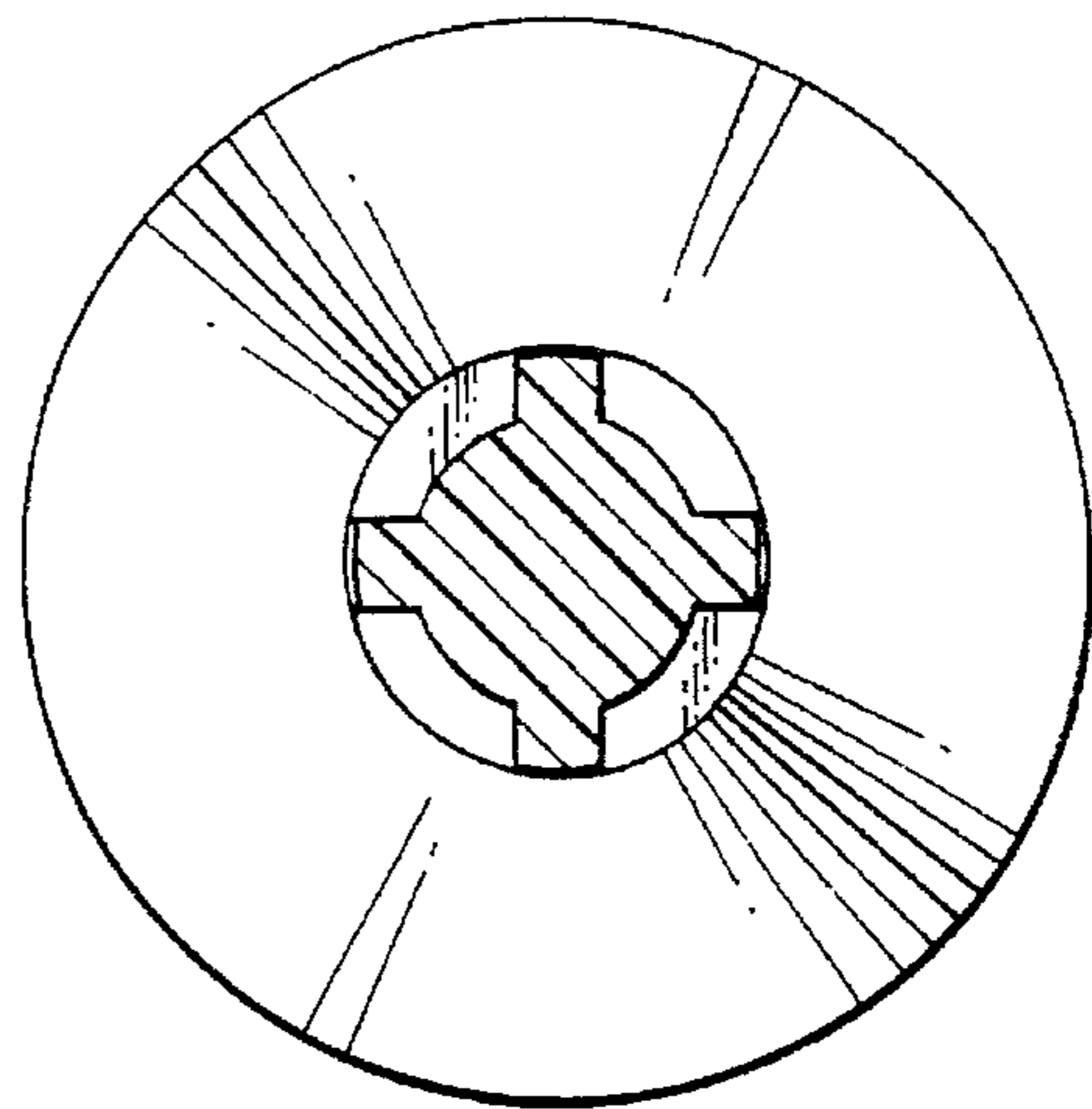


FIG. 8

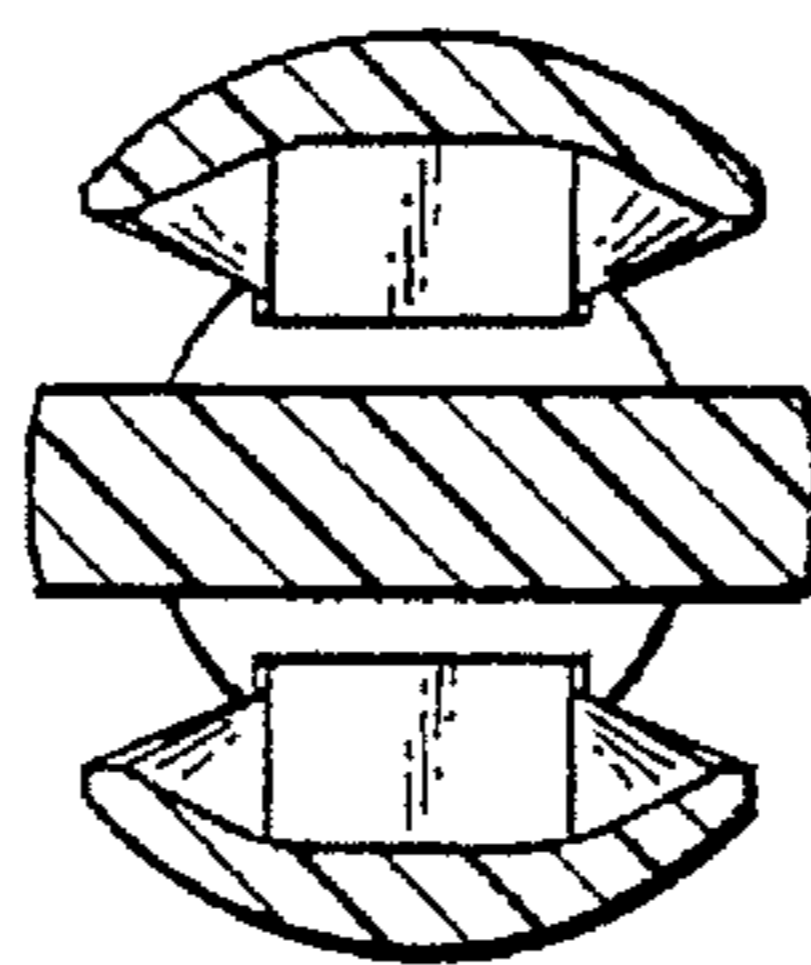


FIG. 9

