



US00D381257S

United States Patent [19]

[11] **Patent Number: Des. 381,257**

Hirano et al.

[45] **Date of Patent: **Jul. 22, 1997**

[54] **JOINT FOR THE FRAME OF A ROLLING CART**

FOREIGN PATENT DOCUMENTS

[75] Inventors: **Seiji Hirano; Shuji Yoshino**, both of Shizuoka, Japan

593261 5/1959 Italy 403/400
348805 10/1960 Switzerland 403/400

[73] Assignee: **Yazaki Industrial Chemical Co., Ltd.**, Shizuoka, Japan

Primary Examiner—Lucy Lieberman
Attorney, Agent, or Firm—Smith-Hill and Bedell

[**] Term: **14 Years**

[57] **CLAIM**

The ornamental design for joint for the frame of a rolling cart, as shown and described.

[21] Appl. No.: **27,440**

DESCRIPTION

[22] Filed: **Aug. 22, 1994**

[51] **LOC (6) Cl.** **08-08**

[52] **U.S. Cl.** **D8/382**

[58] **Field of Search** D8/382, 400; 403/302, 403/303, 300; 248/262, 200.1; D6/491, 462-465; D34/21, 27

FIG. 1 is a perspective view of a joint for the frame of a rolling cart showing our new design;
FIG. 2 is a front elevational view thereof;
FIG. 3 is a rear elevational view thereof;
FIG. 4 is a top plan view thereof;
FIG. 5 is a bottom end view thereof;
FIG. 6 is a left side elevational view thereof;
FIG. 7 is a right side elevational view thereof;
FIG. 8 is a sectional view along line 8—8 of FIG. 2;
FIG. 9 is a sectional view along line 9—9 of FIG. 7; and,
FIG. 10 is a perspective view showing the use of a joint for the frame of a rolling cart fitting to the frame member. The broken lines are for illustrative purposes only and form no part of the claimed design.

[56] **References Cited**

U.S. PATENT DOCUMENTS

642,477	1/1900	McDowell	403/300	X
1,188,863	6/1916	Wampler et al.	403/233	X
1,323,967	12/1919	Dickinson	403/300	
1,362,987	12/1920	Dunn	403/247	X
1,914,555	6/1933	Connelly	403/233	X
2,146,067	2/1939	Graham	403/303	X
4,311,407	1/1982	Doyle	403/400	X

1 Claim, 3 Drawing Sheets

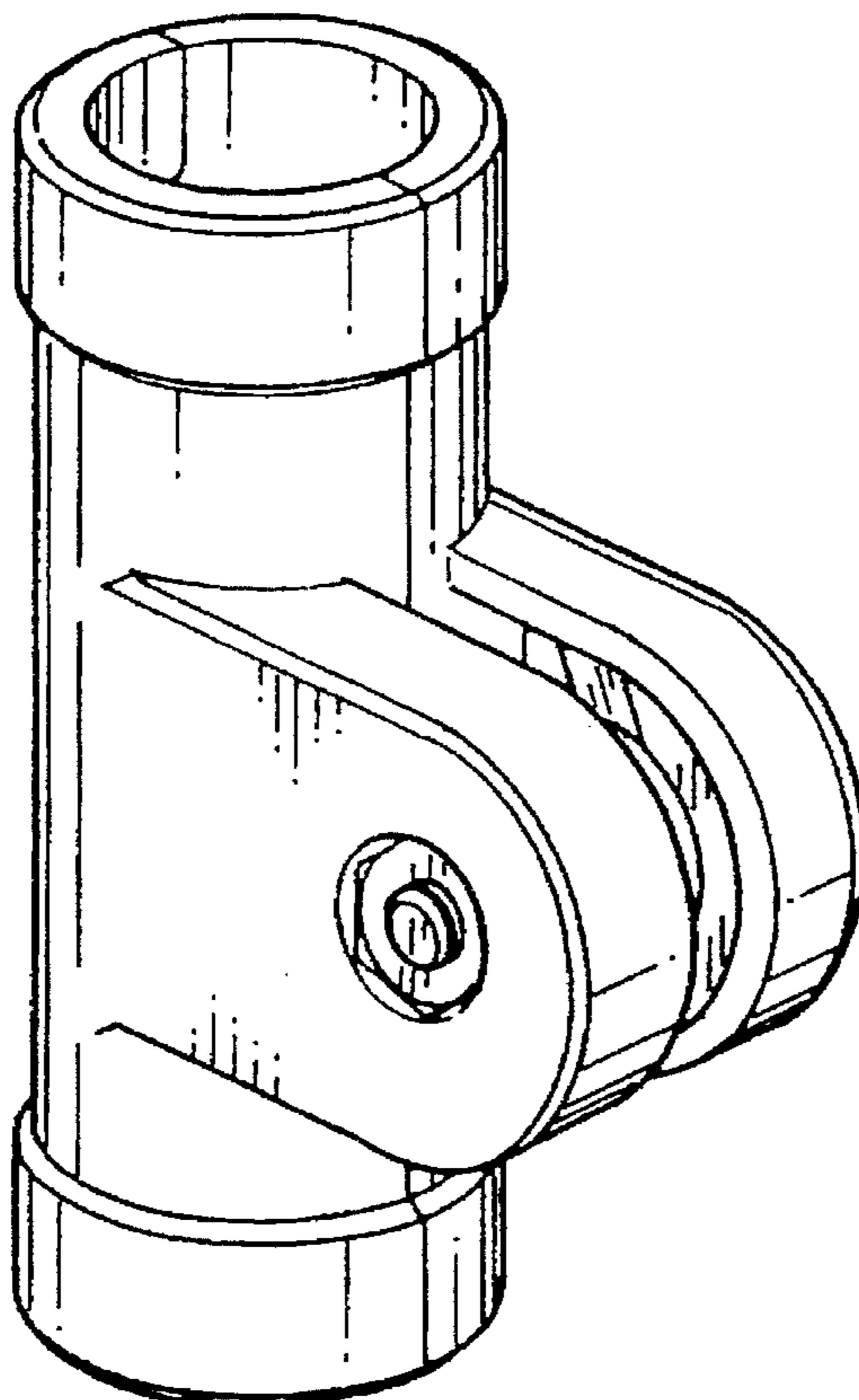


FIG. 1

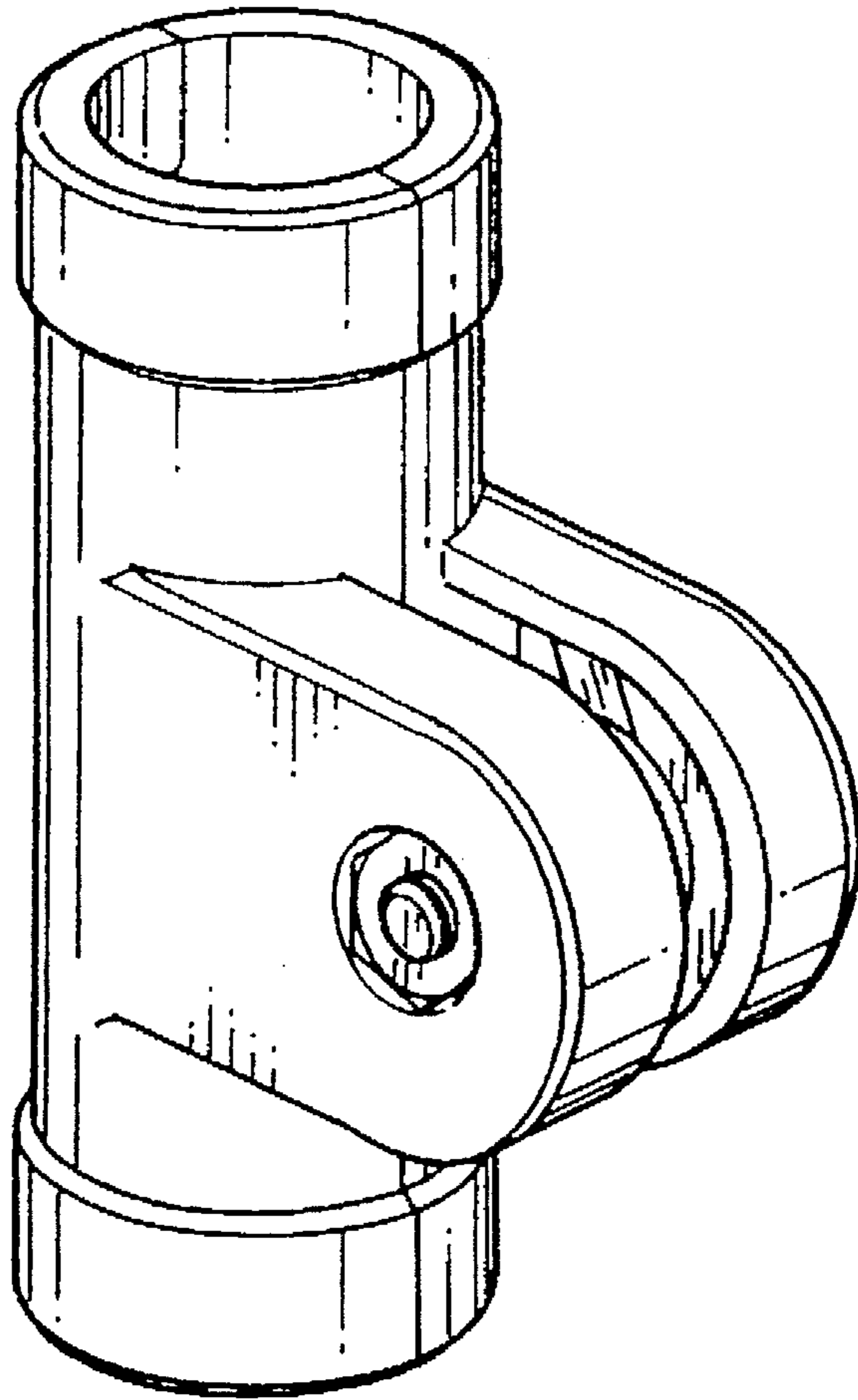


FIG. 2

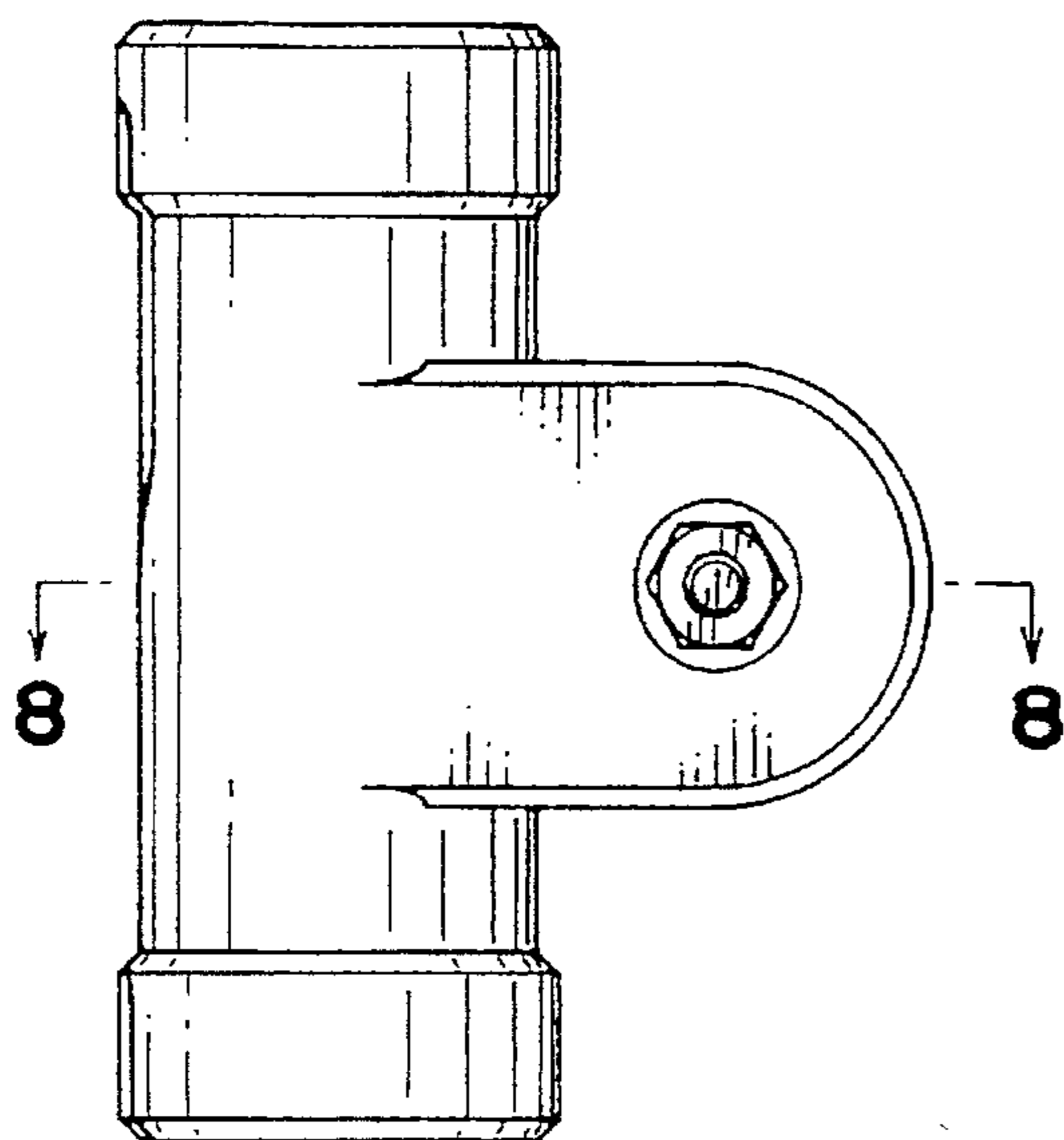


FIG. 3

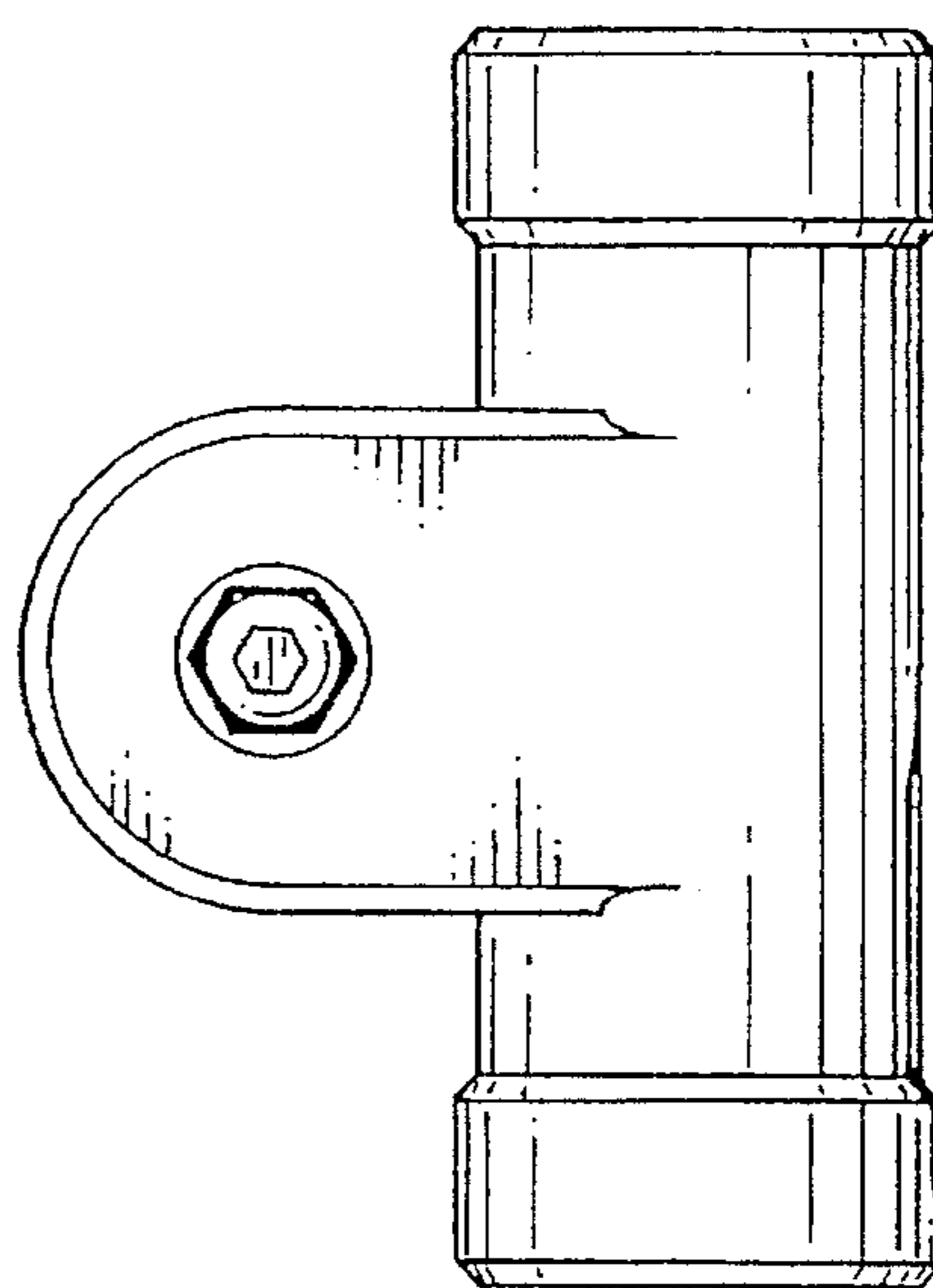


FIG. 4

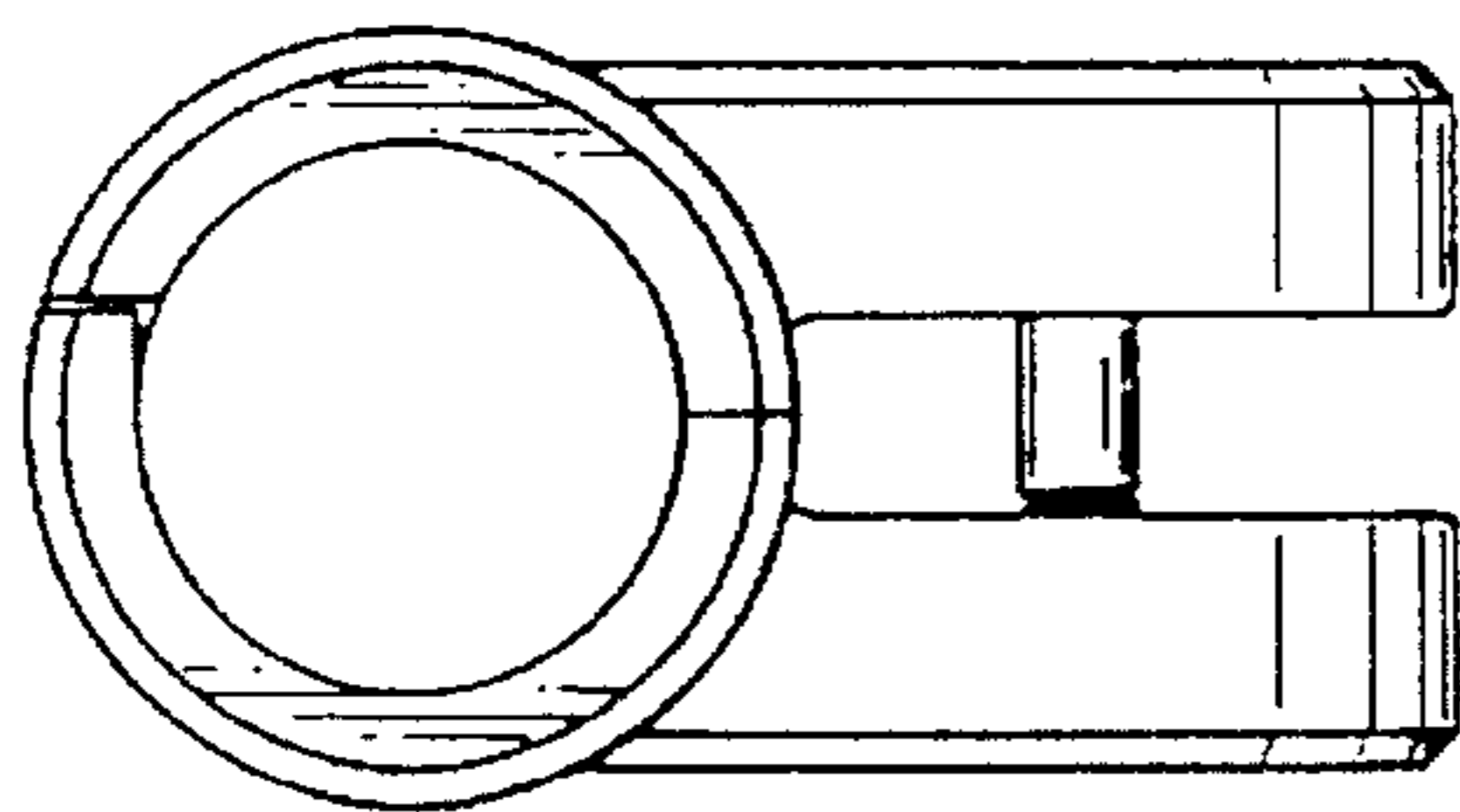


FIG. 5

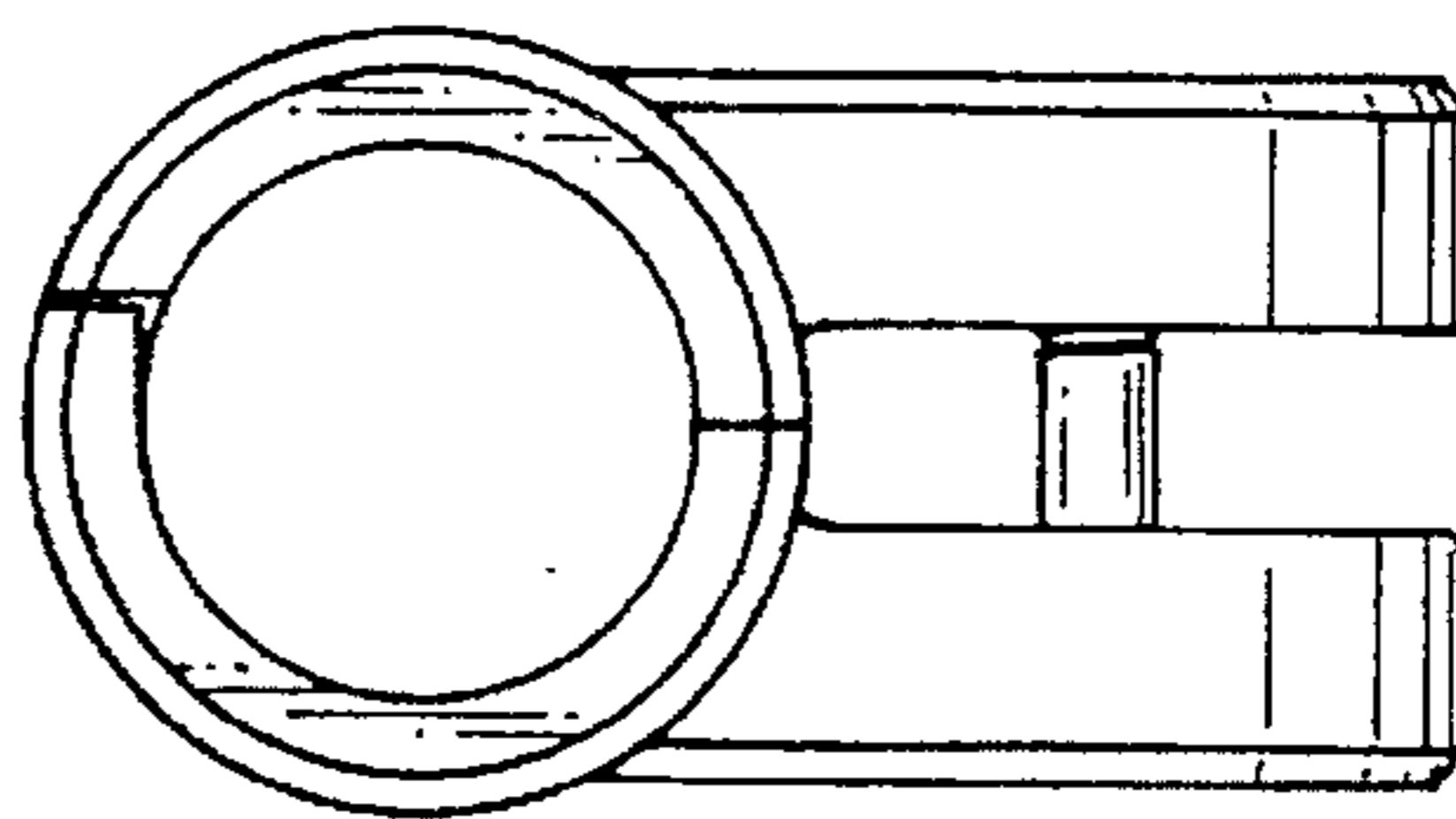


FIG. 6

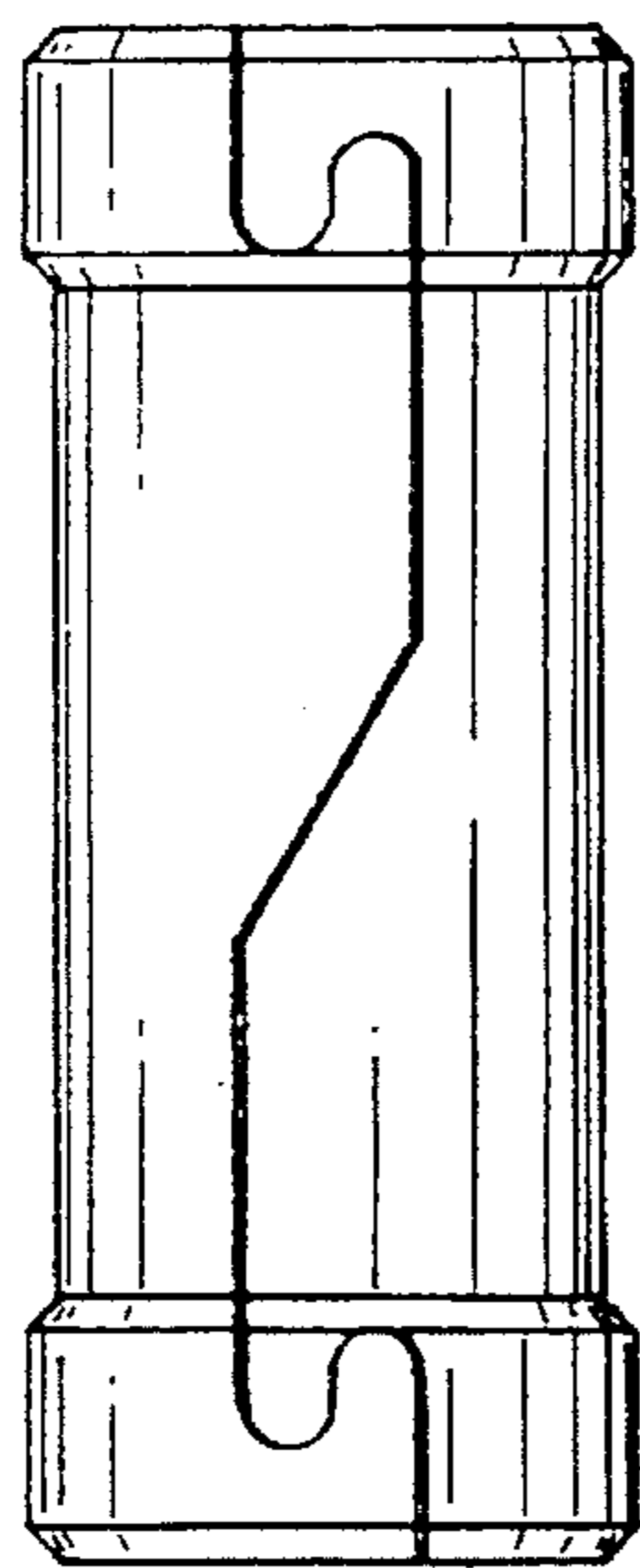


FIG. 7

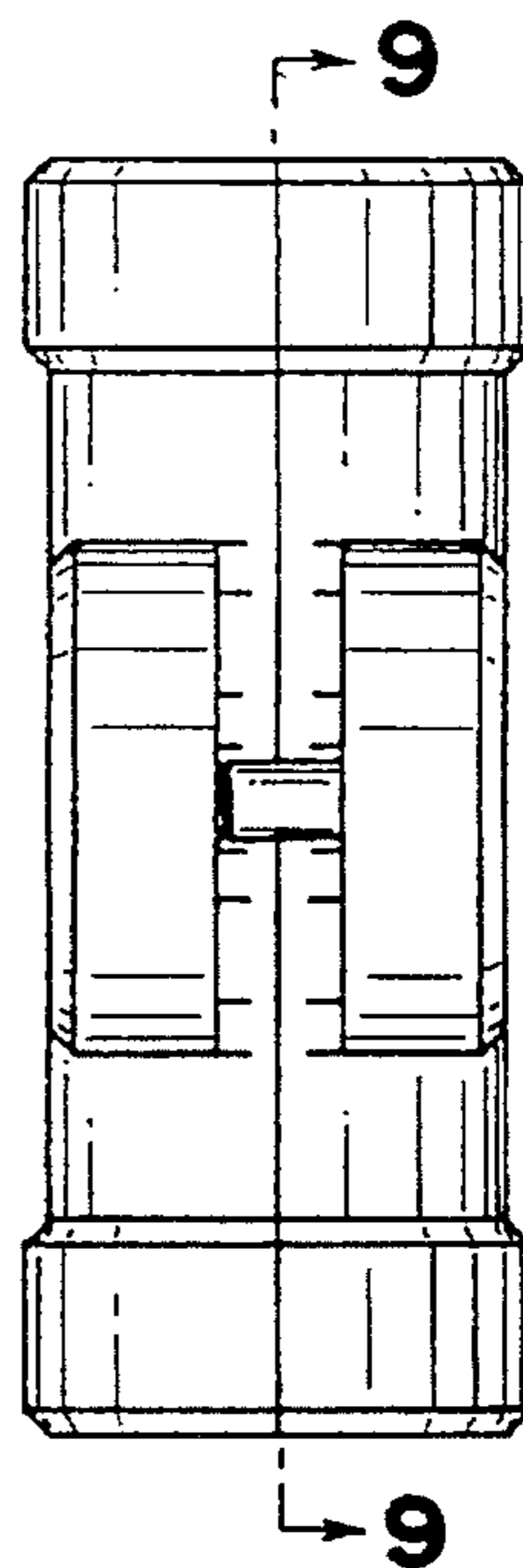


FIG. 8

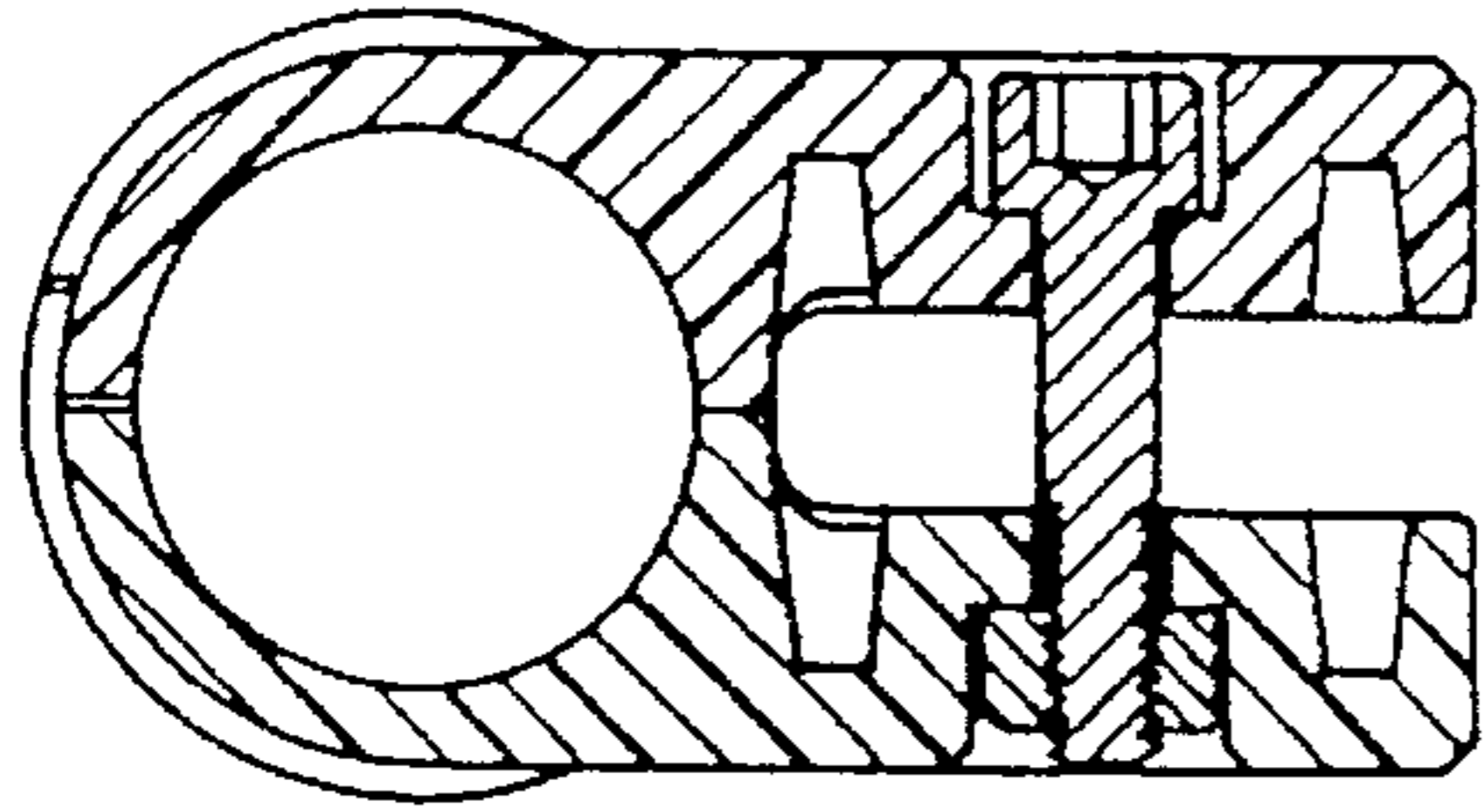


FIG. 9

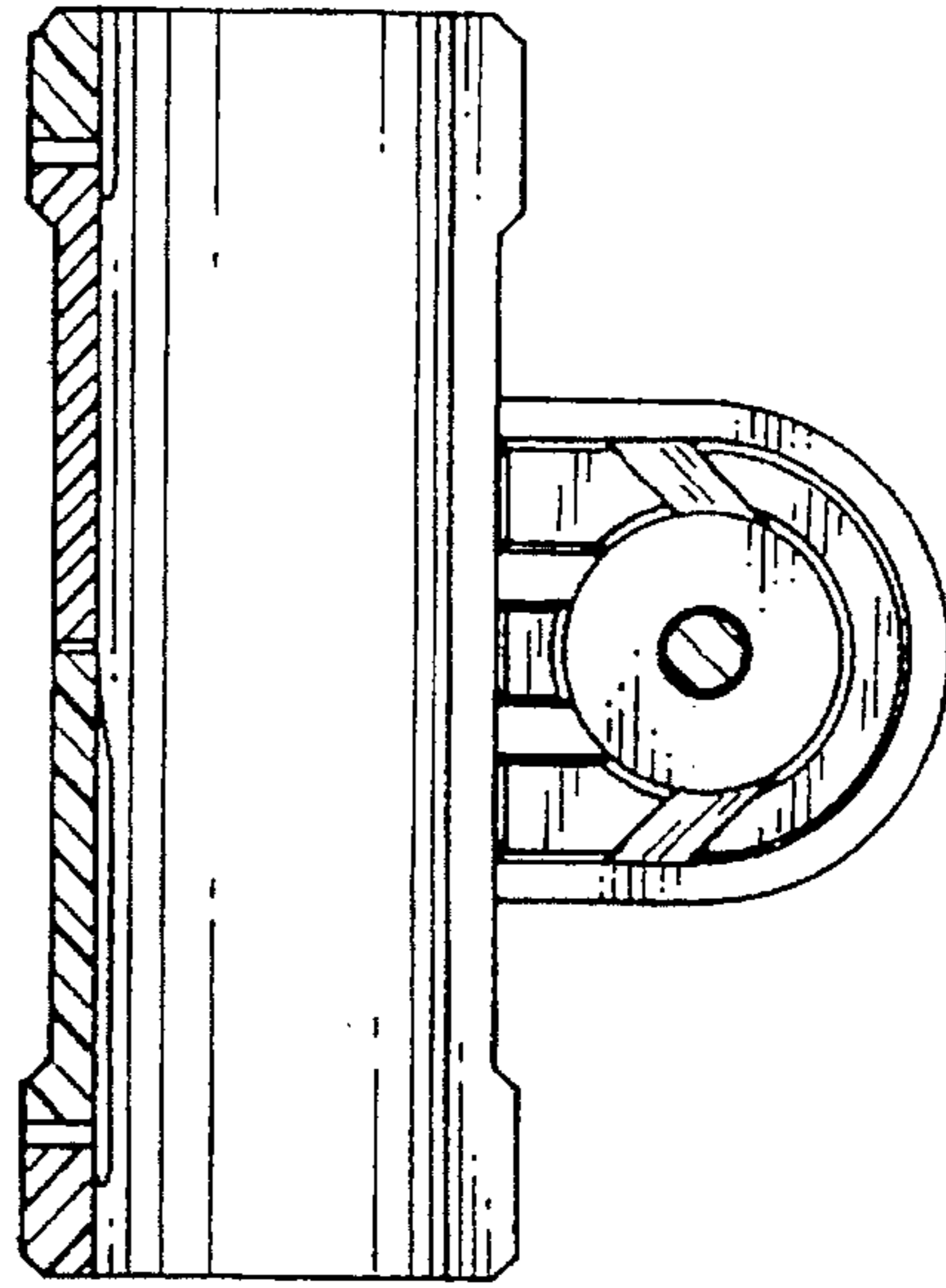


FIG. 10

