



US00D381254S

United States Patent [19] Collins

[11] Patent Number: Des. 381,254

[45] Date of Patent: **Jul. 22, 1997

[54] GUN LOCK

[75] Inventor: David A. Collins, Hot Springs, Ark.

[73] Assignee: DAC Technologies of America, Inc.,
Little Rock, Ark.

[**] Term: 14 Years

[21] Appl. No.: 45,762

[22] Filed: Oct. 30, 1995

[51] LOC (6) Cl. 08-07

[52] U.S. Cl. D8/333

[58] Field of Search D8/330-331, 333,
D8/346; 70/14, 57, 62; 42/70.11

[56] **References Cited**

U.S. PATENT DOCUMENTS

D. 302,237 7/1989 O'Day D8/346
2,911,814 11/1959 Williams 70/14

Primary Examiner—Brian N. Vinson
Attorney, Agent, or Firm—Stephen D. Carver; Trent C. Keisling

[57] **CLAIM**

The ornamental design for a gun lock, as shown and described.

DESCRIPTION

FIG. 1 is a front right side isometric view showing our new design;

FIG. 2 is a front left isometric view showing our new design;

FIG. 3 is front elevational view showing our new design;

FIG. 4 is a right side elevational view thereof;

FIG. 5 is a left side elevational view thereof;

FIG. 6 is a rear elevational view showing our new design;

FIG. 7 is a top plan view thereof; and,

FIG. 8 is a bottom plan view thereof.

1 Claim, 2 Drawing Sheets

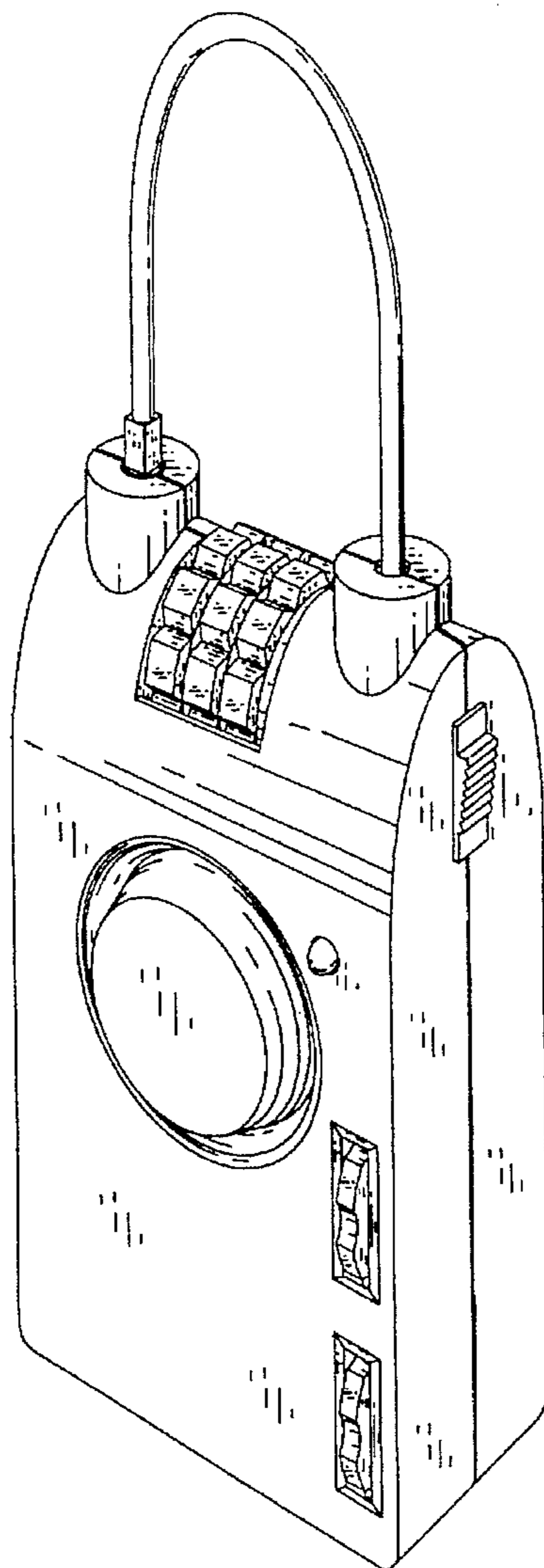


FIG. 1

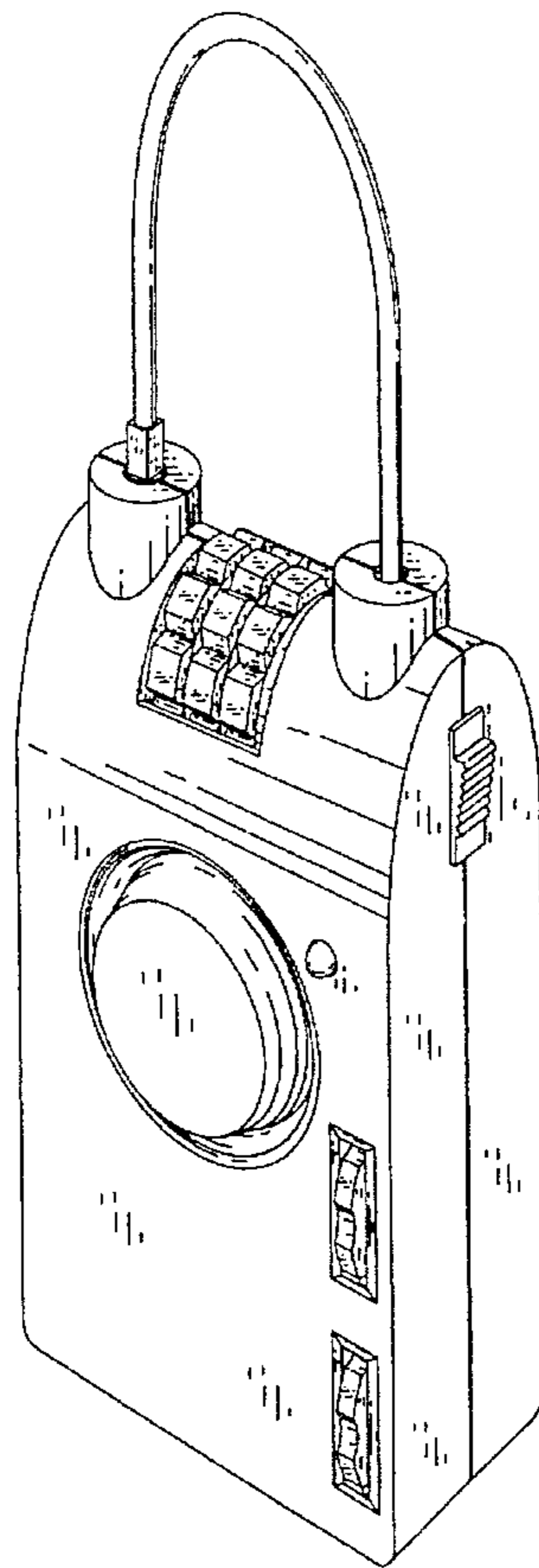


FIG. 2

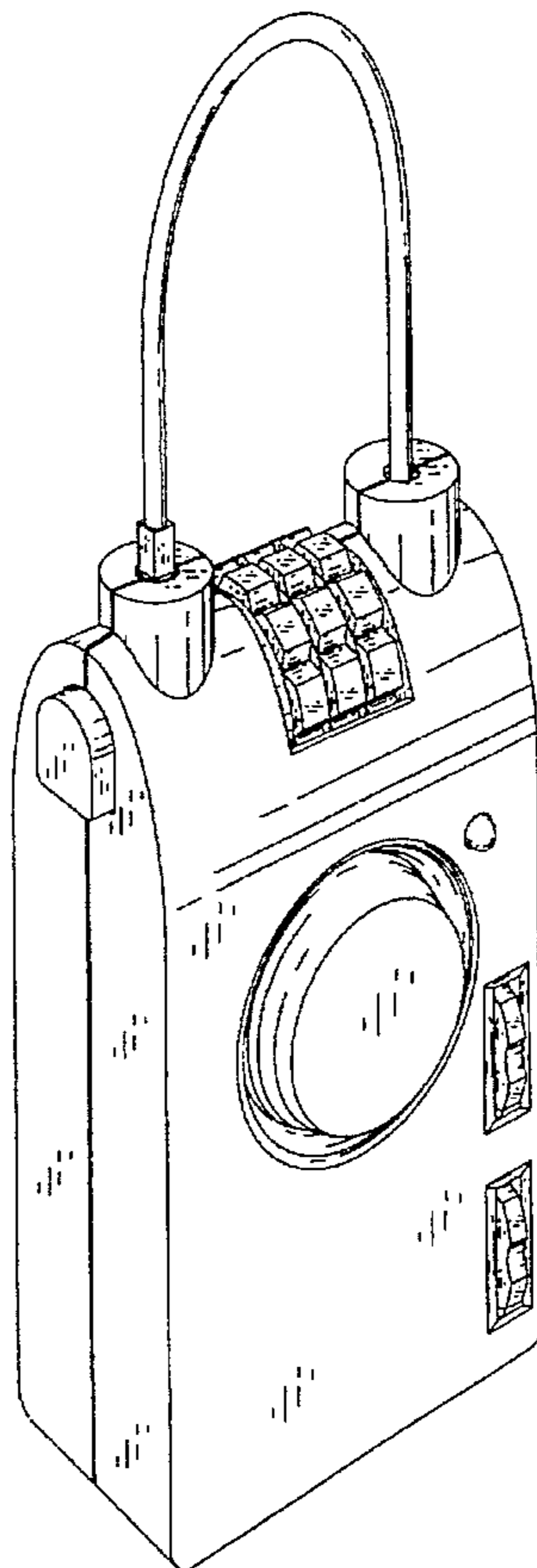


FIG. 3

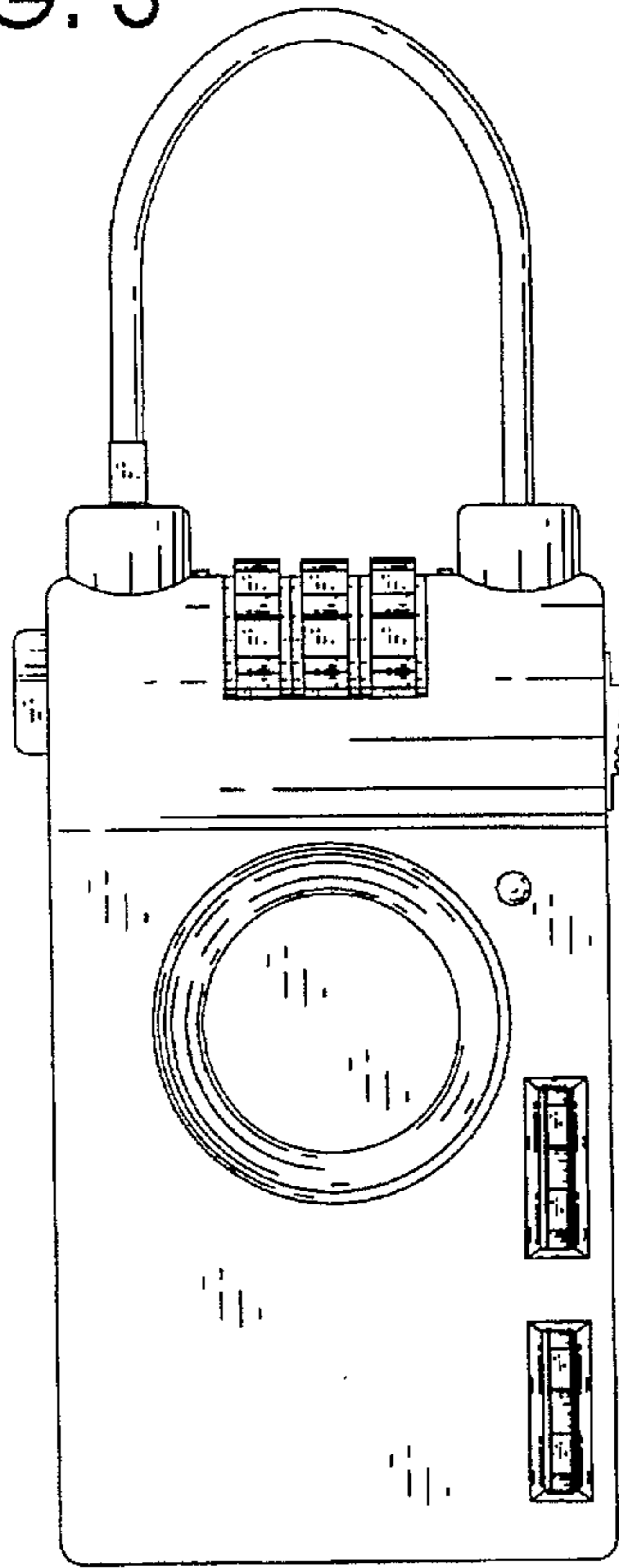


FIG. 4

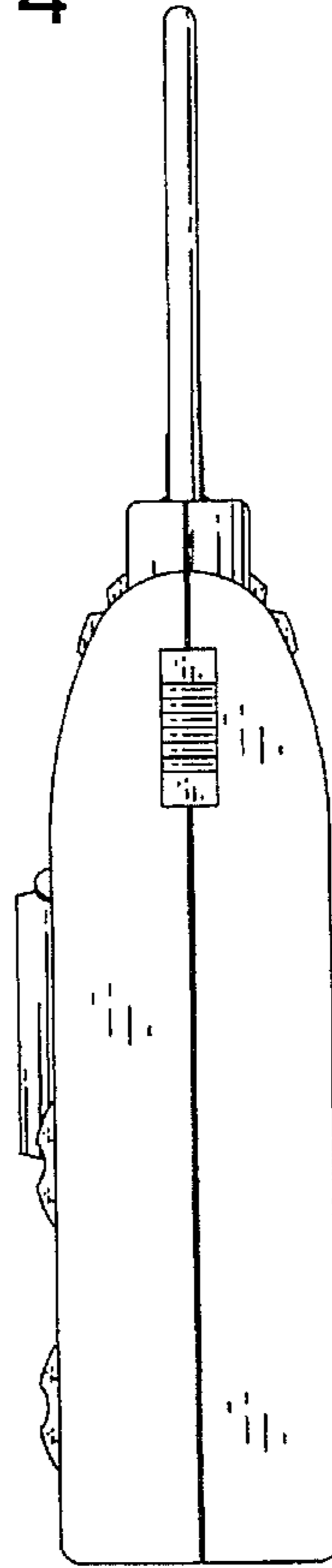


FIG. 5

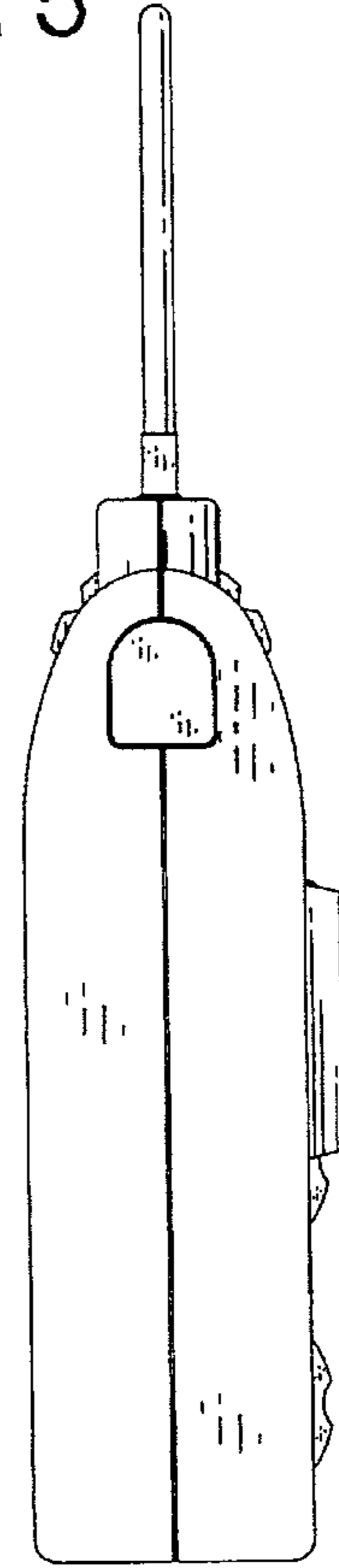


FIG. 6

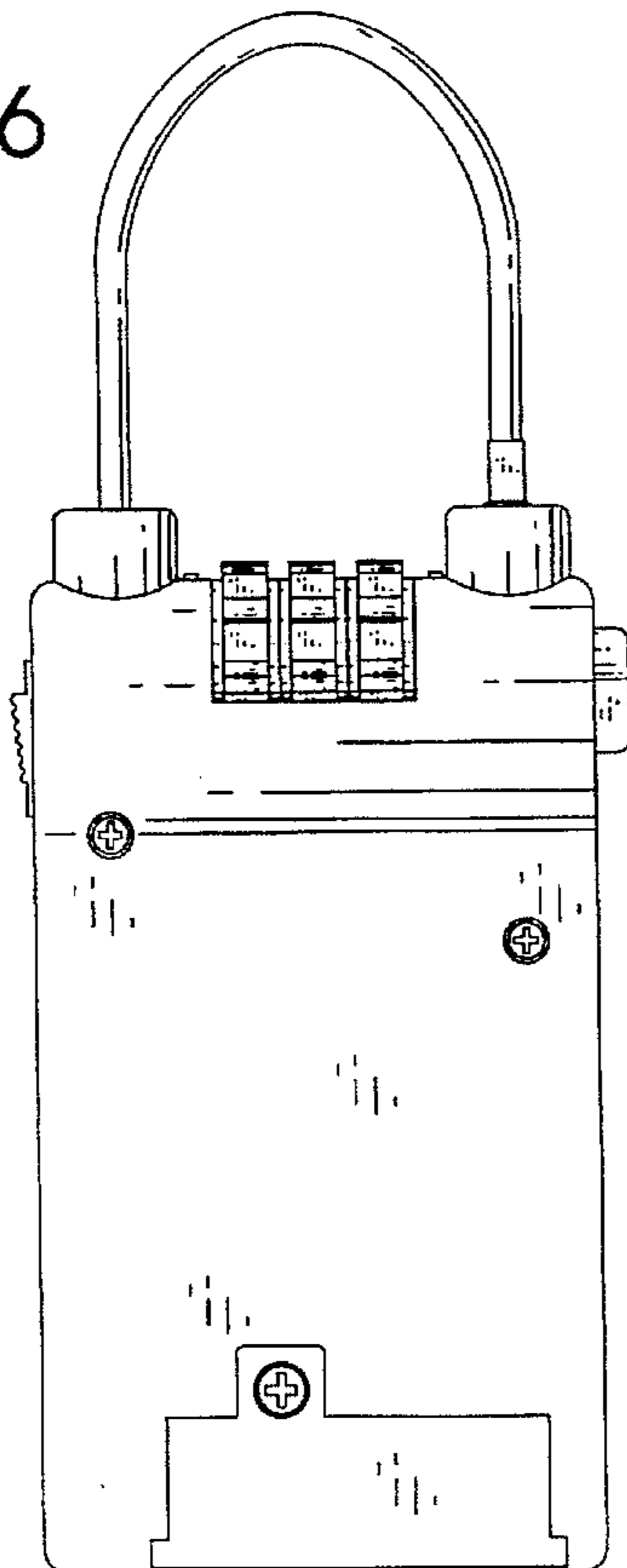


FIG. 7

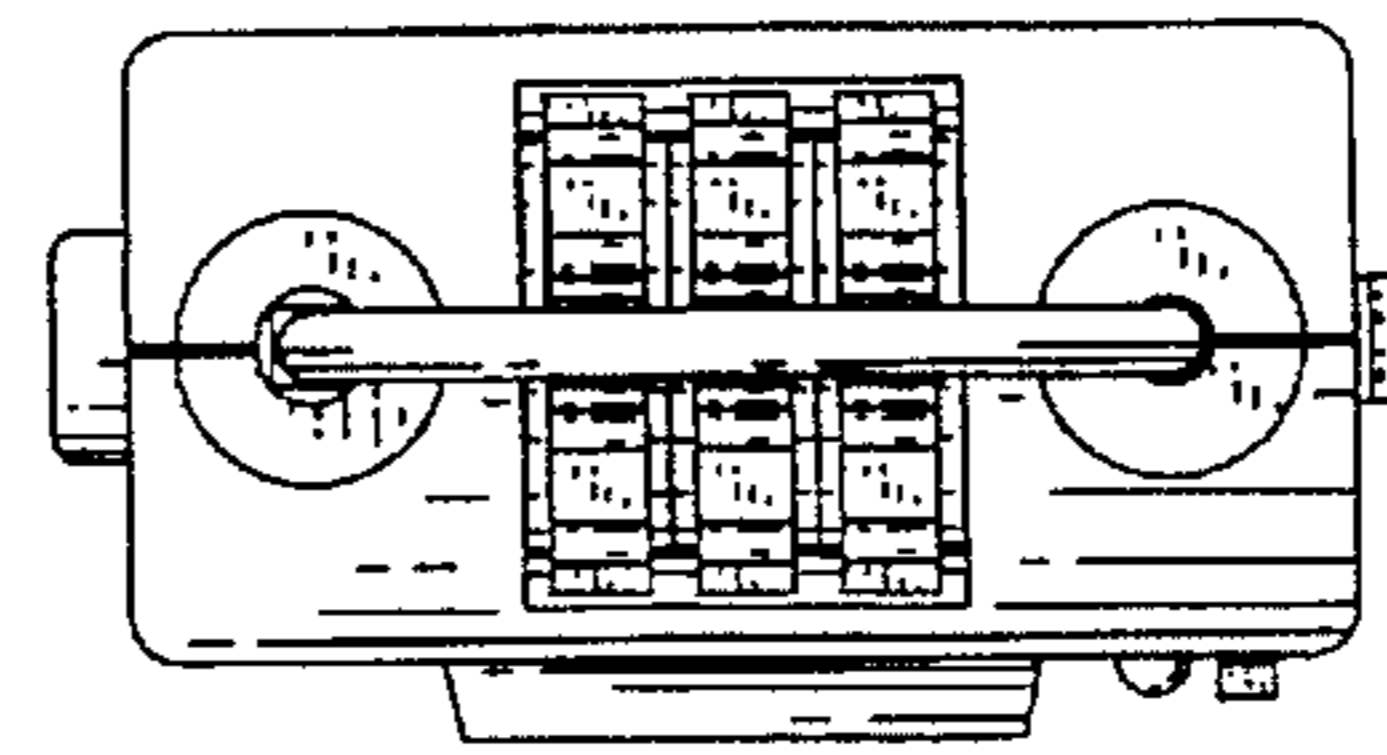


FIG. 8

