



US00D381251S

United States Patent [19]
Pooley

[11] **Patent Number: Des. 381,251**
[45] **Date of Patent: **Jul. 22, 1997**

[54] **DOOR KNOB**

[76] **Inventor: Bruce W. Pooley**, 5402 Renwick, Apt. 856, Houston, Tex. 77081

[**] **Term: 14 Years**

[21] **Appl. No.: 41,550**

[22] **Filed: Jul. 18, 1995**

[51] **LOC (6) Cl. 08-06**

[52] **U.S. Cl. D8/302**

[58] **Field of Search D8/300, 301, 307, D8/308, 302, 339, 343; 292/347, 357; 16/110 R, 121**

[56] **References Cited**

U.S. PATENT DOCUMENTS

D. 339,280 9/1993 Bray et al. D8/352 X
3,111,021 11/1963 Patriquin et al. D8/302

OTHER PUBLICATIONS

Yale & Towne Locks & Hardware.
Faultless Furniture Hardware p. 4.

Primary Examiner—Paula A. Mortimer
Attorney, Agent, or Firm—Harold H. Dutton, Jr.; W. Charles L. Jamison; Diane F. Liebman

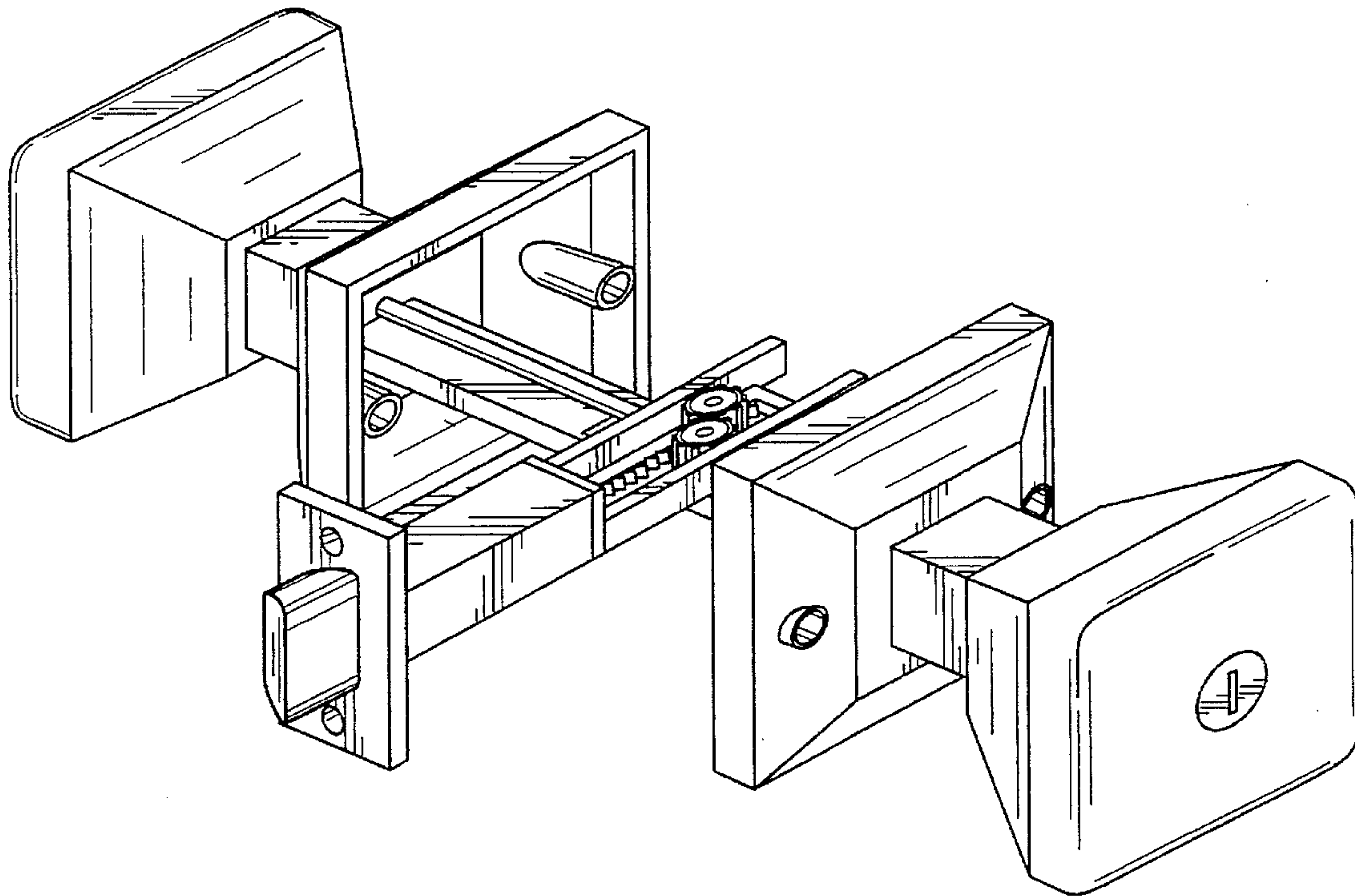
[57] **CLAIM**

The ornamental design for a door knob, as shown.

DESCRIPTION

FIG. 1 is a perspective view of a door knob showing my new design;
FIG. 2 is a top view thereof;
FIG. 3 is a bottom view thereof;
FIG. 4 is a rear view thereof;
FIG. 5 is a front view thereof;
FIG. 6 is a right side view thereof; and,
FIG. 7 is a left side view thereof.

1 Claim, 4 Drawing Sheets



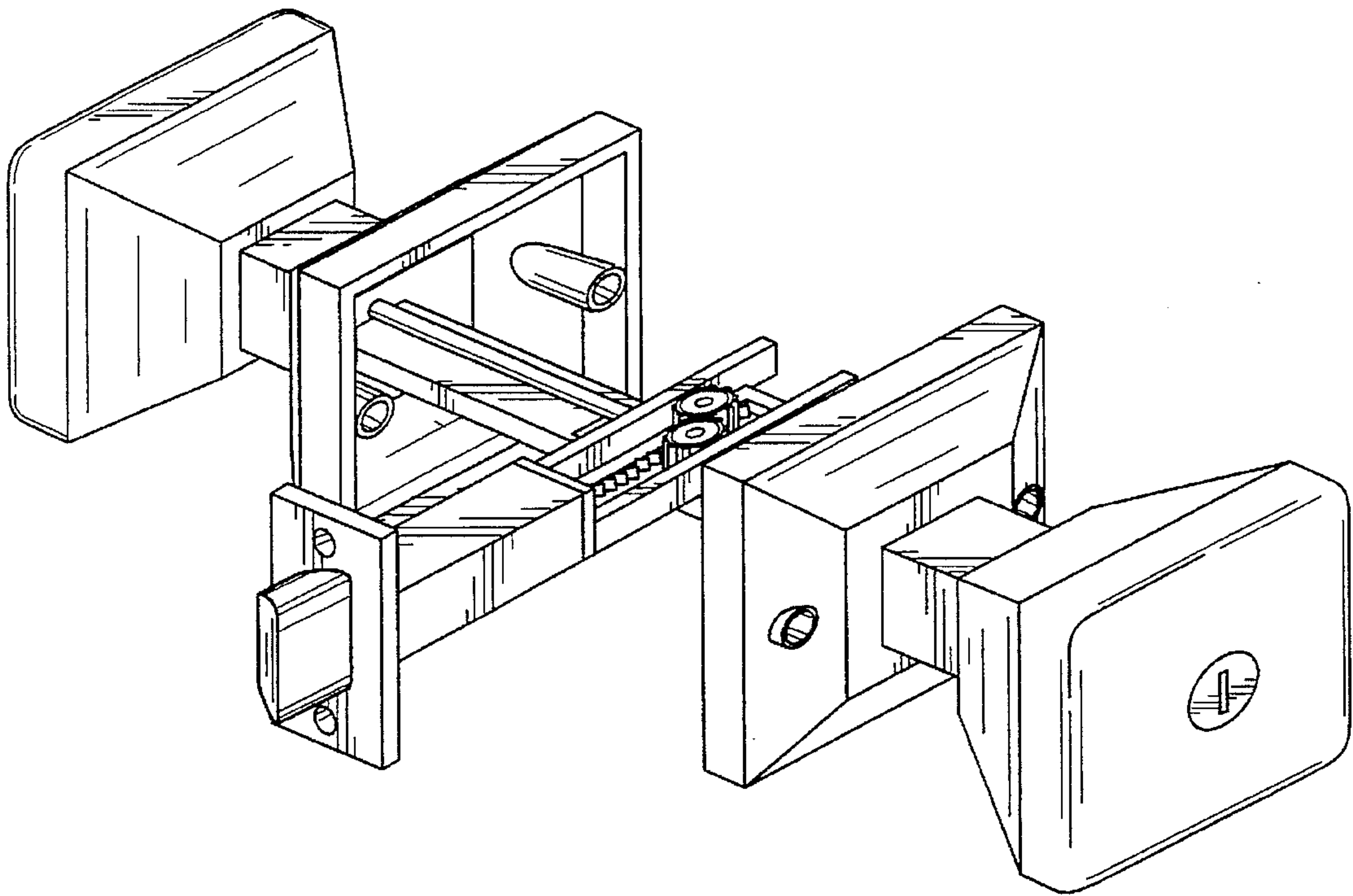


FIG. 1

FIG. 2

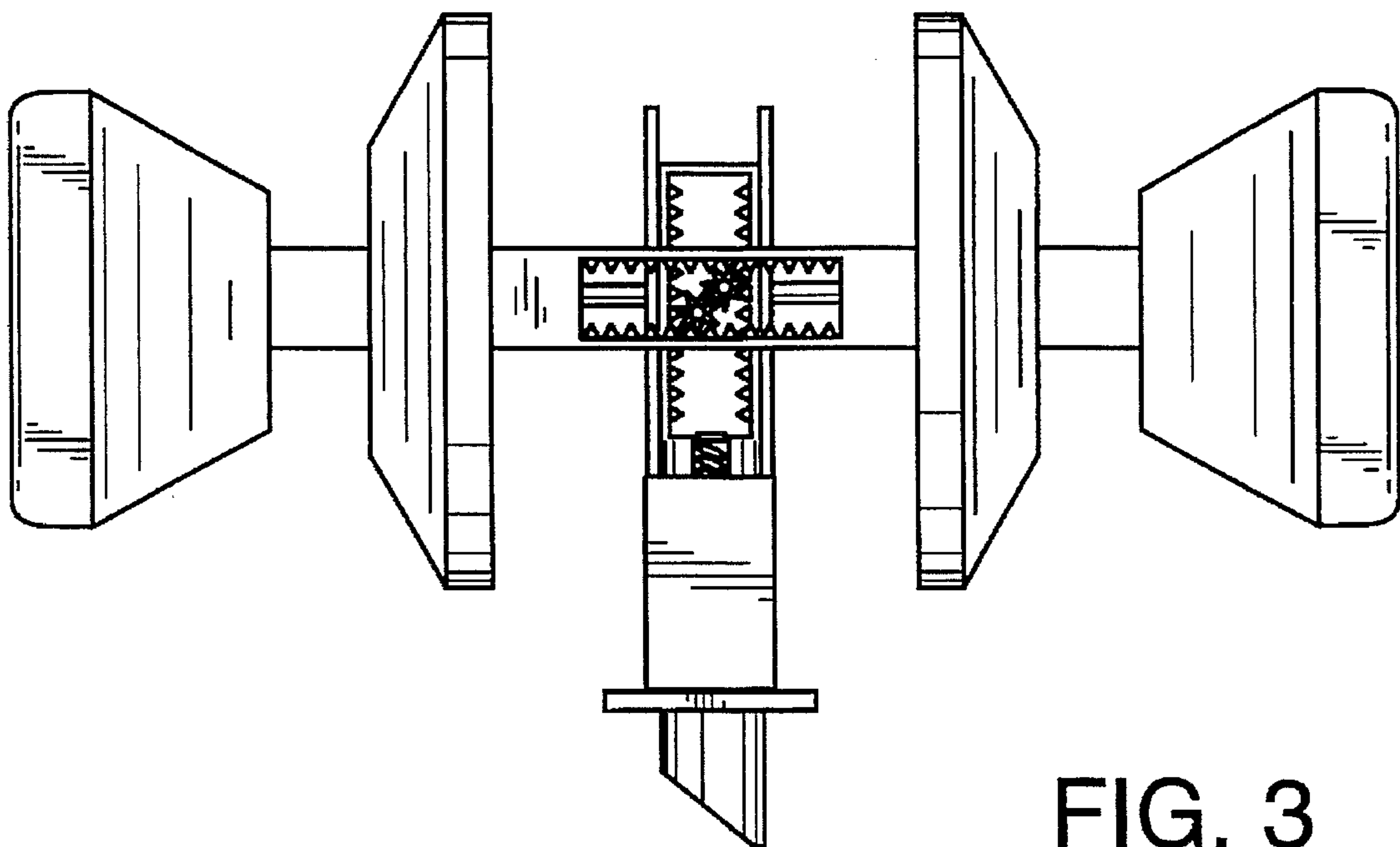
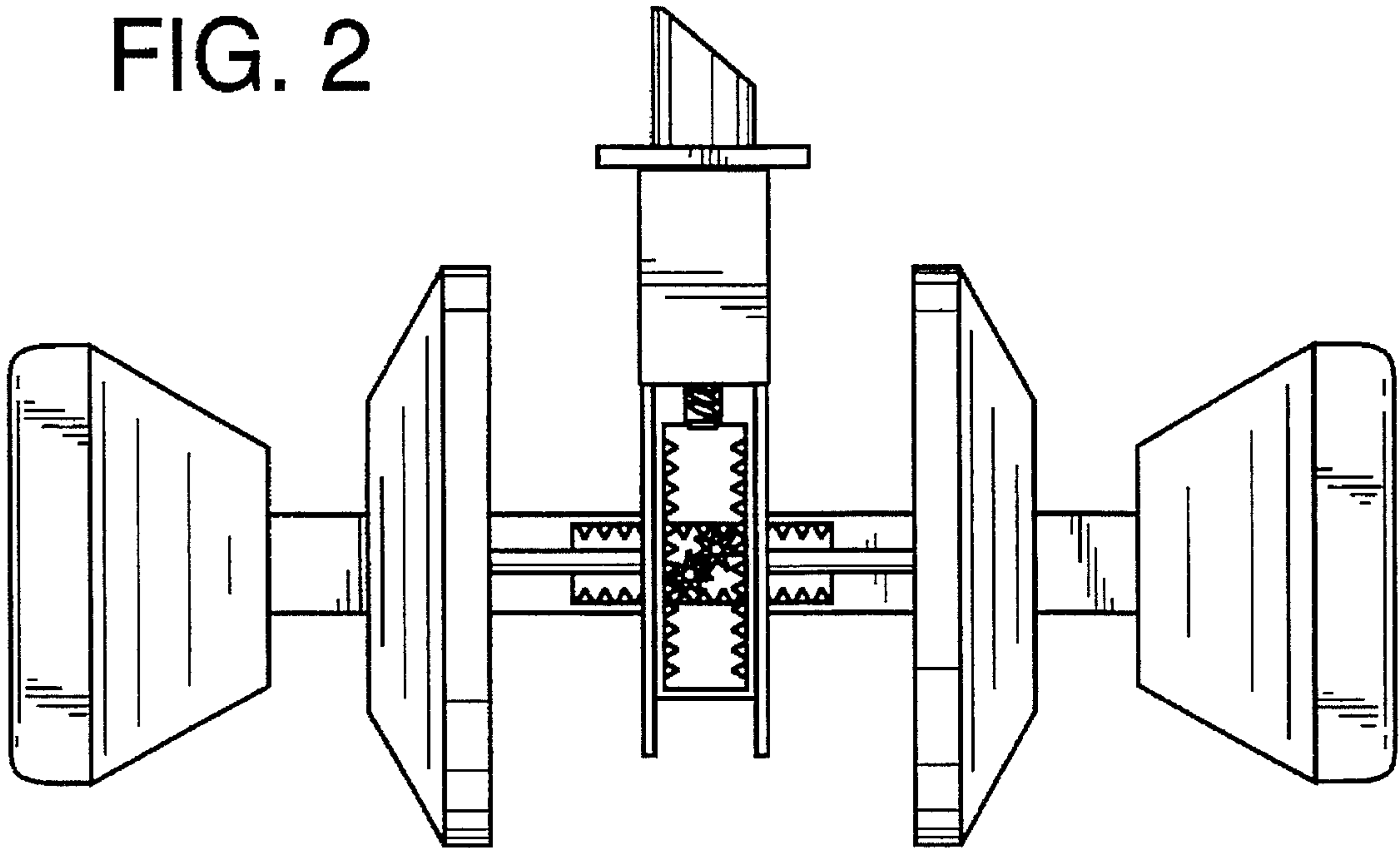


FIG. 3

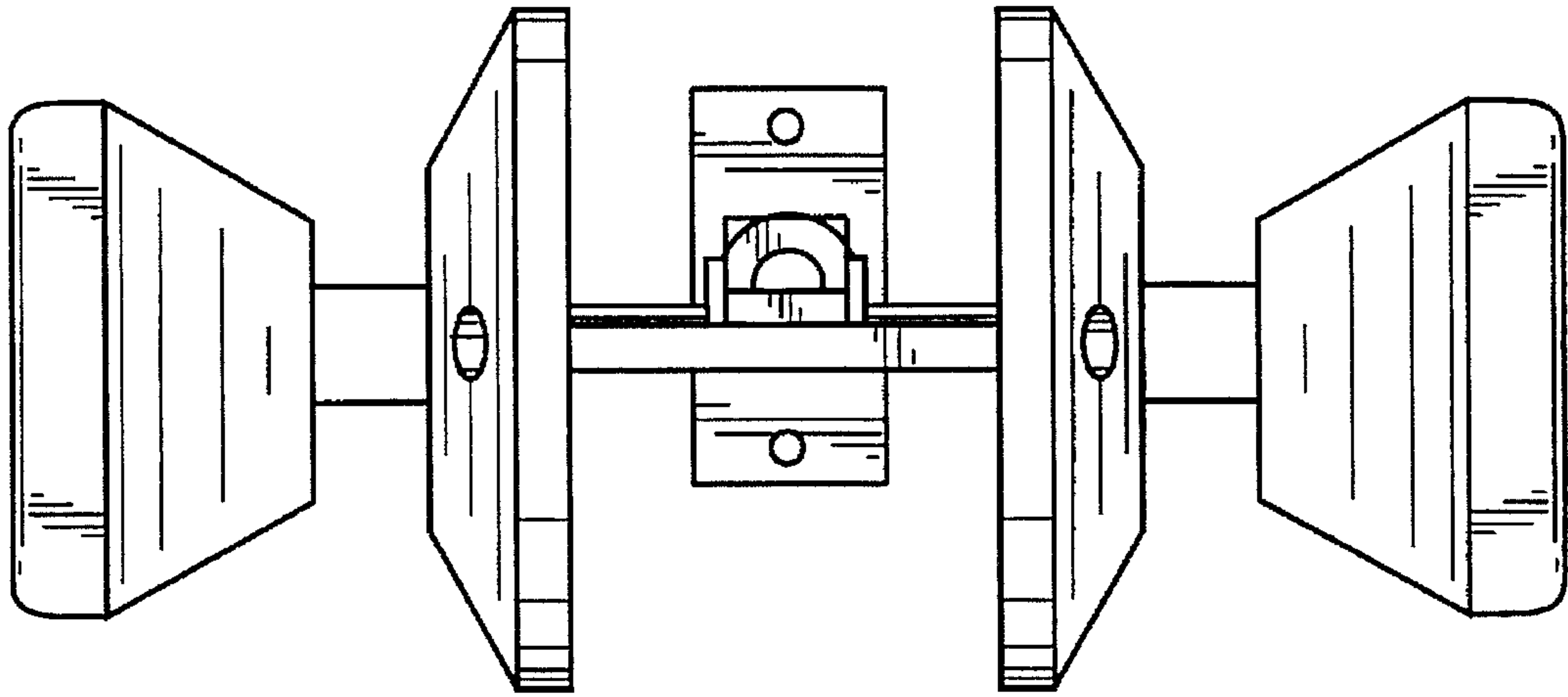


FIG. 4

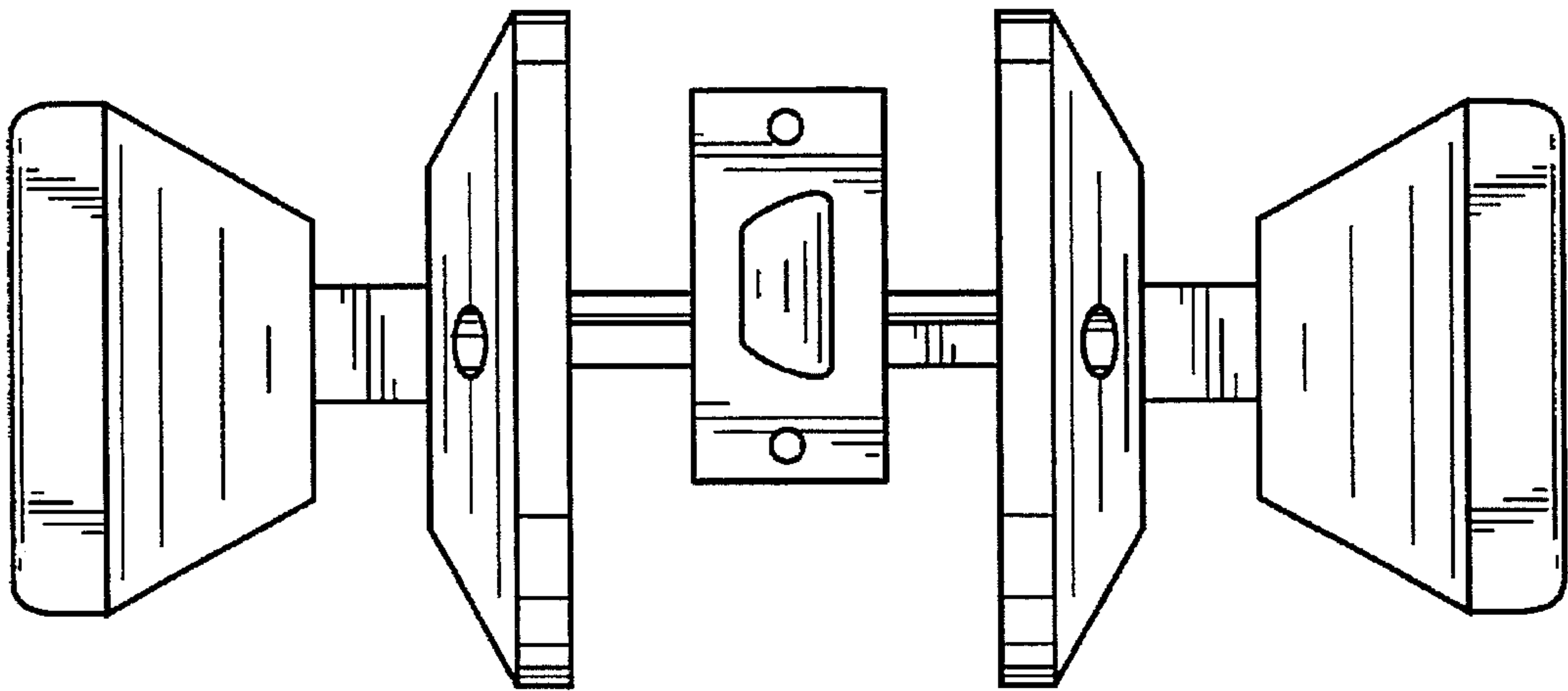


FIG. 5

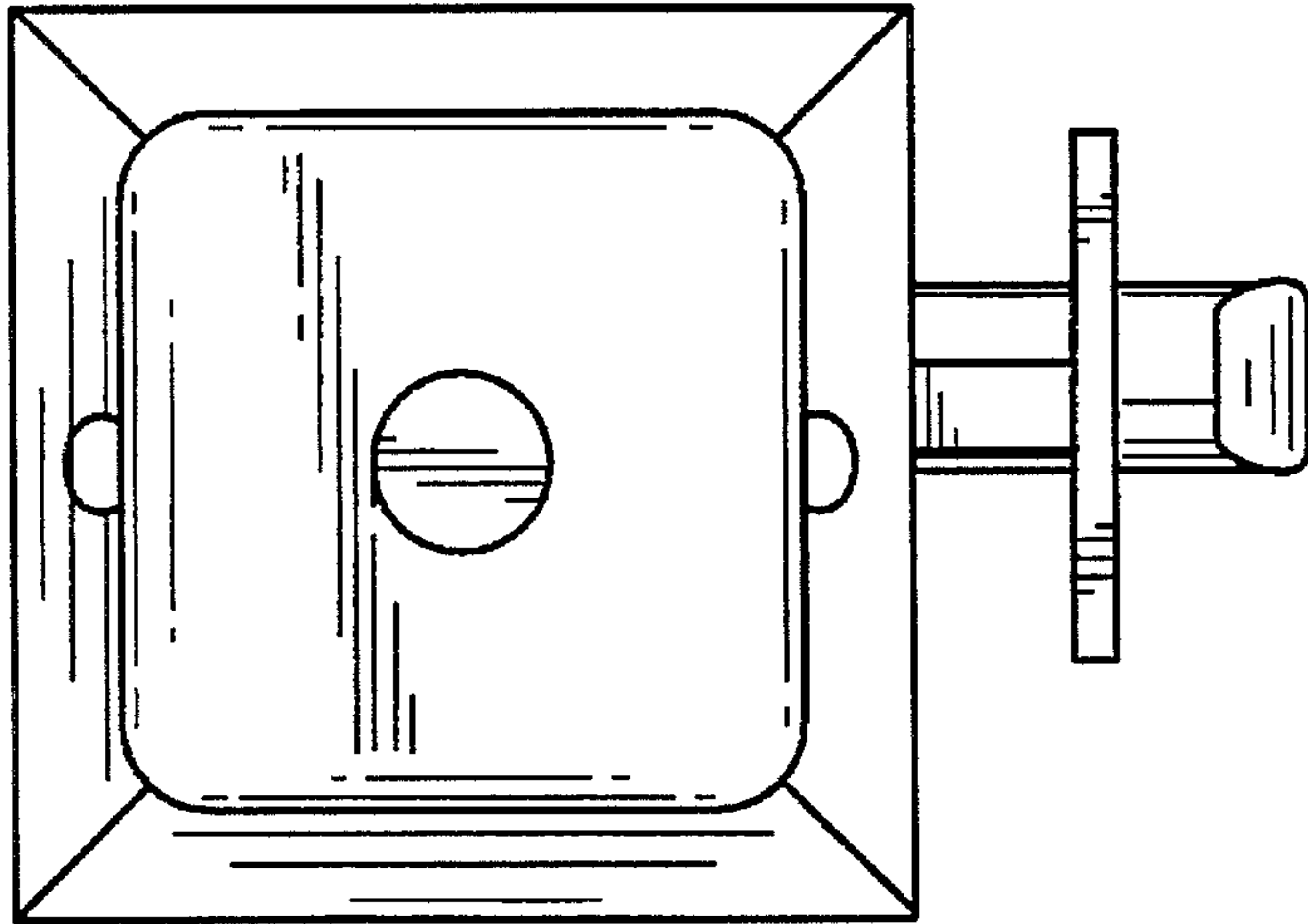


FIG. 6

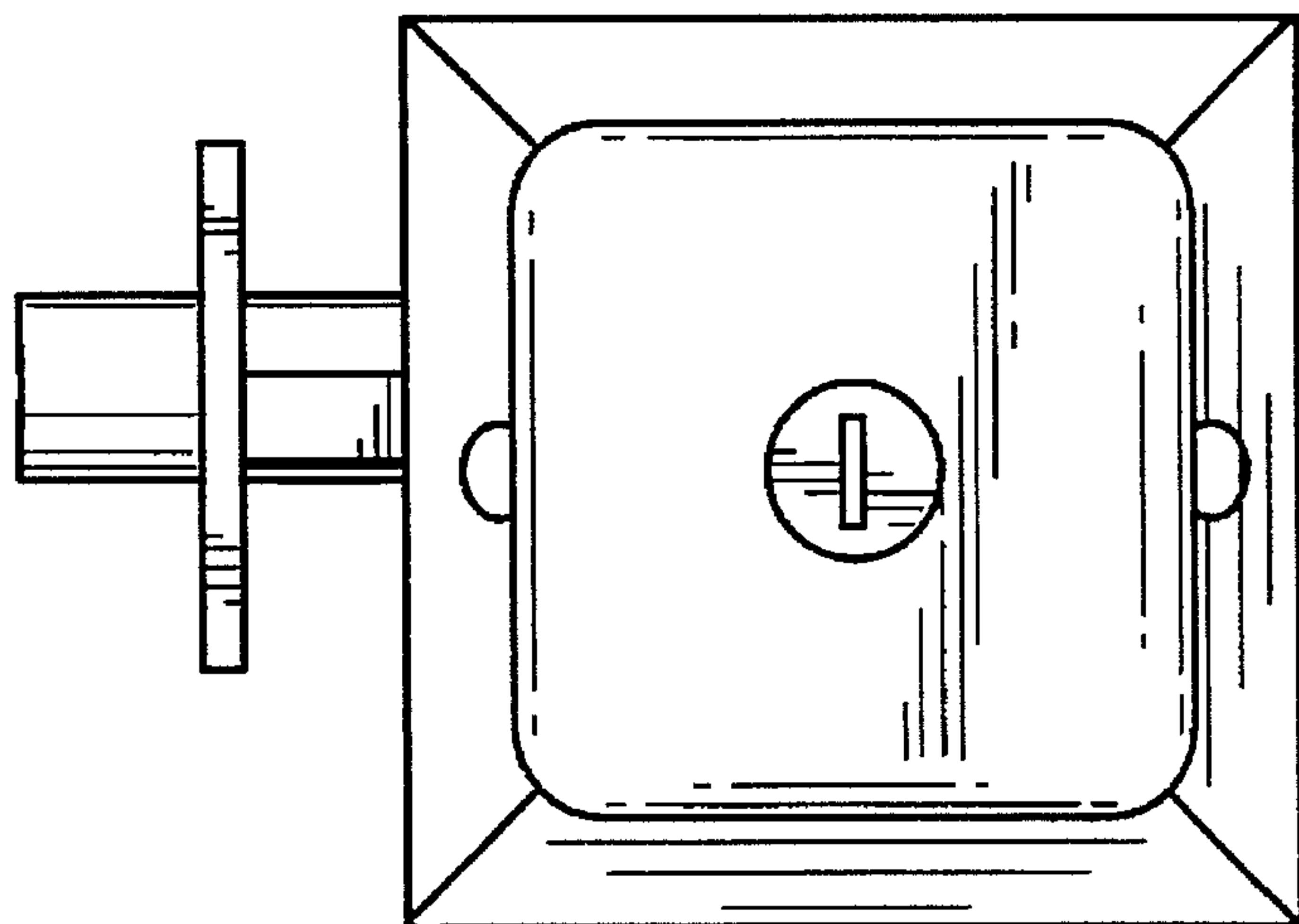


FIG. 7