



US00D381248S

United States Patent [19]
Sung

[11] **Patent Number: Des. 381,248**

[45] **Date of Patent: **Jul. 22, 1997**

[54] **SANDER**

[75] **Inventor: Eric Sung, Ta-Li, Taiwan**

[73] **Assignee: K.K.U. Limited, Tokyo, Japan**

[**] **Term: 14 Years**

[21] **Appl. No.: 53,776**

[22] **Filed: Apr. 30, 1996**

Related U.S. Application Data

[63] **Continuation-in-part of Ser. No. 43,682, Sep. 11, 1995.**

[51] **LOC (6) Cl. 08-01**

[52] **U.S. Cl. D8/62**

[58] **Field of Search D8/62; 451/355,
451/356, 357, 358**

[56] **References Cited**

U.S. PATENT DOCUMENTS

D. 256,881	9/1980	Hutchins .	
D. 324,800	3/1992	Butzen et al.	D8/62
D. 324,803	3/1992	Butzen et al.	D8/62
D. 332,559	1/1993	Miyoshi .	
D. 344,878	3/1994	Izumisawa .	
D. 353,310	12/1994	Izumisawa .	
D. 353,311	12/1994	Izumisawa .	
D. 357,163	4/1995	Izumisawa .	
3,364,625	1/1968	Sogge	451/295 X
3,857,206	12/1974	Heffran, Jr. .	
4,102,084	7/1978	Bloomquist	451/357

OTHER PUBLICATIONS

Hardwares Catalog, Aug. 1991.

Automotive Power Tools, Ingersoll-Rand Catalog, 1992, p. 34.

Automotive Air Tools, Chicago Pneumatic Catalog, Mar. 1990, p. 36.

Campbell Industrial Supply Co., 1982, p. 411.

Ash Mail Order Catalog, 1981.

Hardwares Catalog, p. 76, Aug. 1992.

Astro Power Catalog, p. 24.

Automotive Power Tools, Ingersoll-Rand Catalog, 1995, p. 34.

National-Detroit, Inc. Catalog, pp. 1, 2 & 3.

Air Tools Catalog, 1992, p. 11.

Raider Air Tools Catalog, p. 2.

Primary Examiner—Antoine Duval Davis

Attorney, Agent, or Firm—Greer, Burns & Crain, Ltd.

[57] **CLAIM**

The ornamental design for a sander, as shown and described.

DESCRIPTION

FIG. 1 is a left side view of a sander showing my new design;

FIG. 2 is a top view thereof;

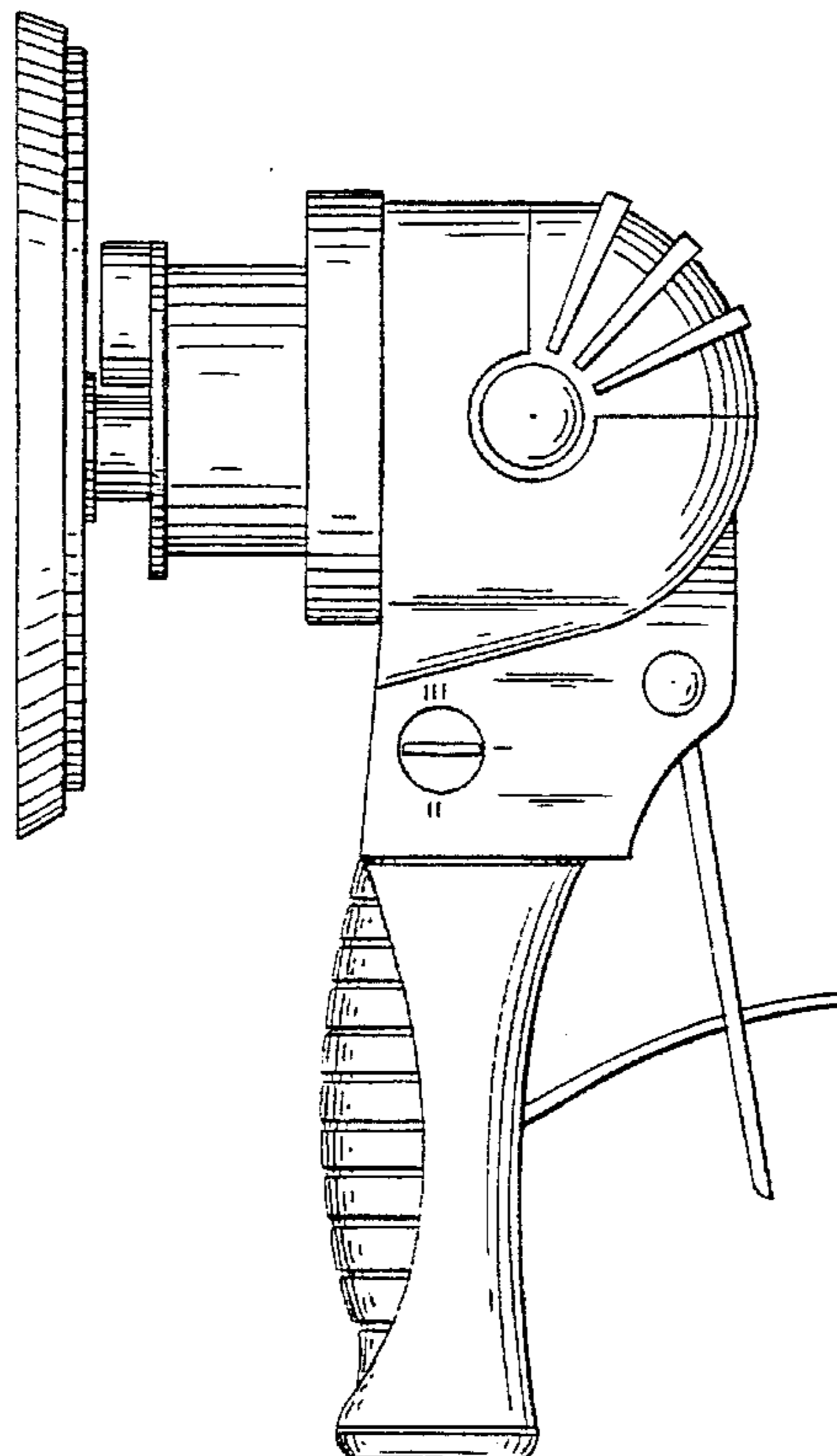
FIG. 3 is a right side view thereof;

FIG. 4 is a bottom view thereof;

FIG. 5 is a front view thereof; and,

FIG. 6 is a rear view thereof.

1 Claim, 3 Drawing Sheets



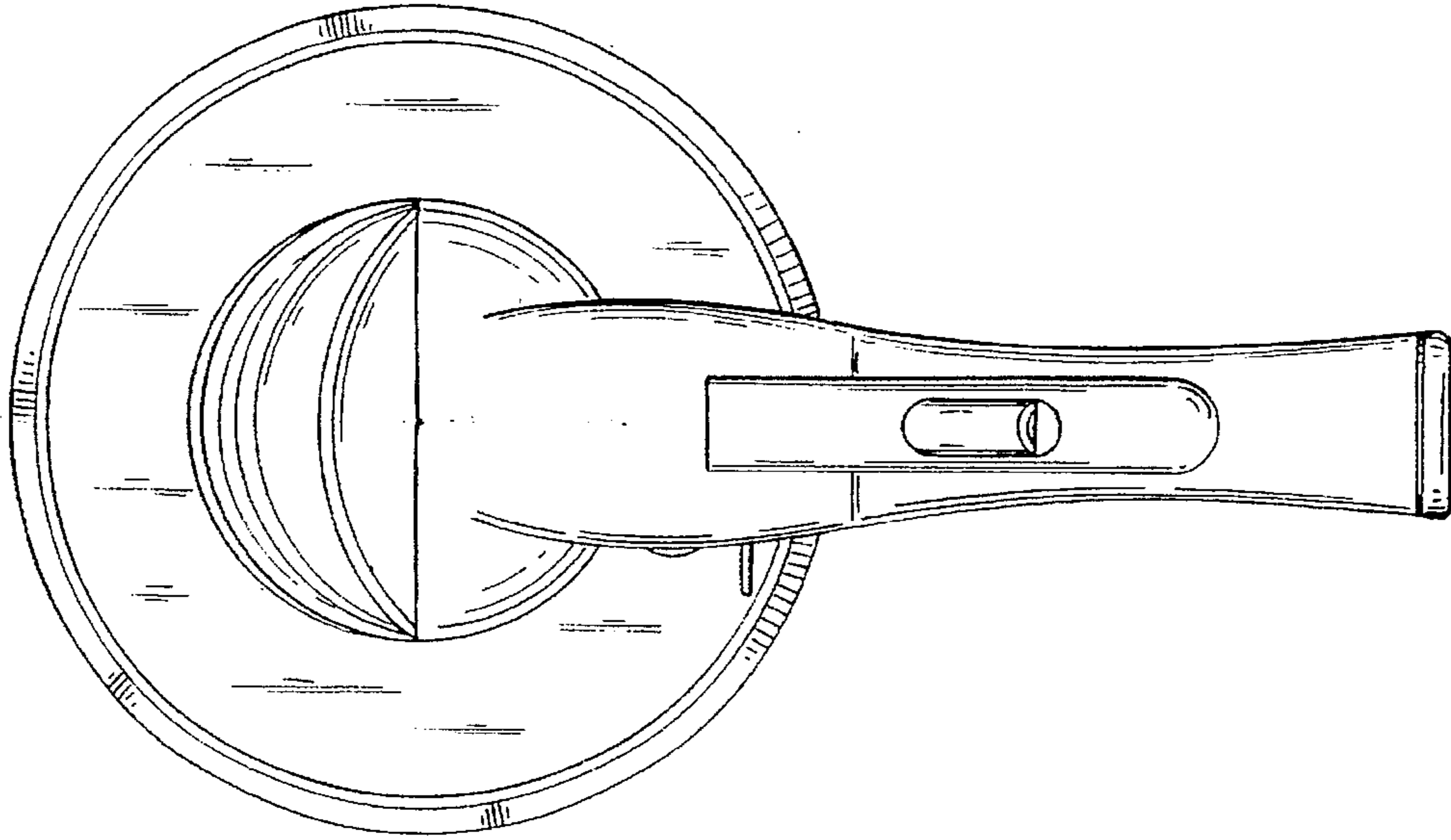


FIG. 2

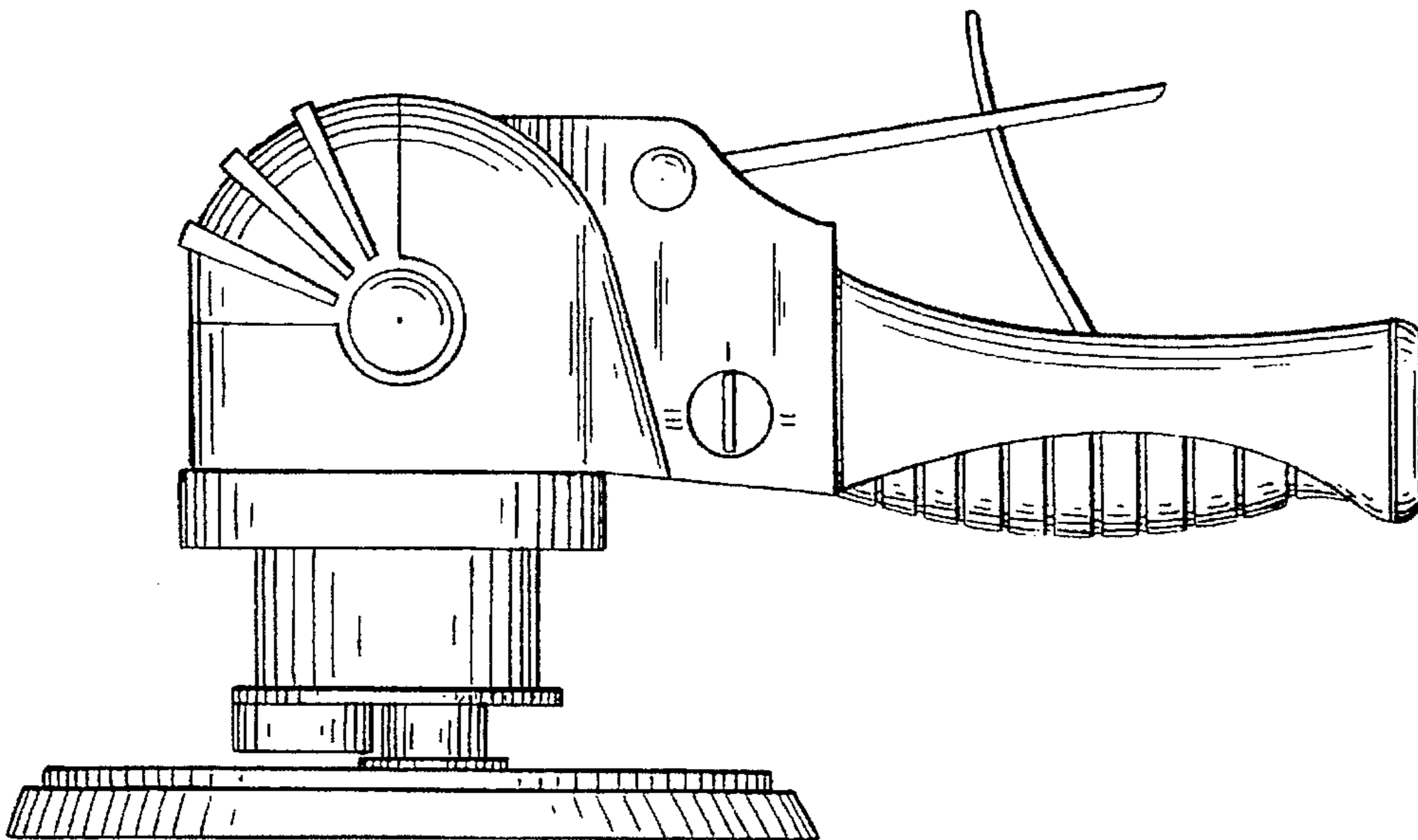


FIG. 1

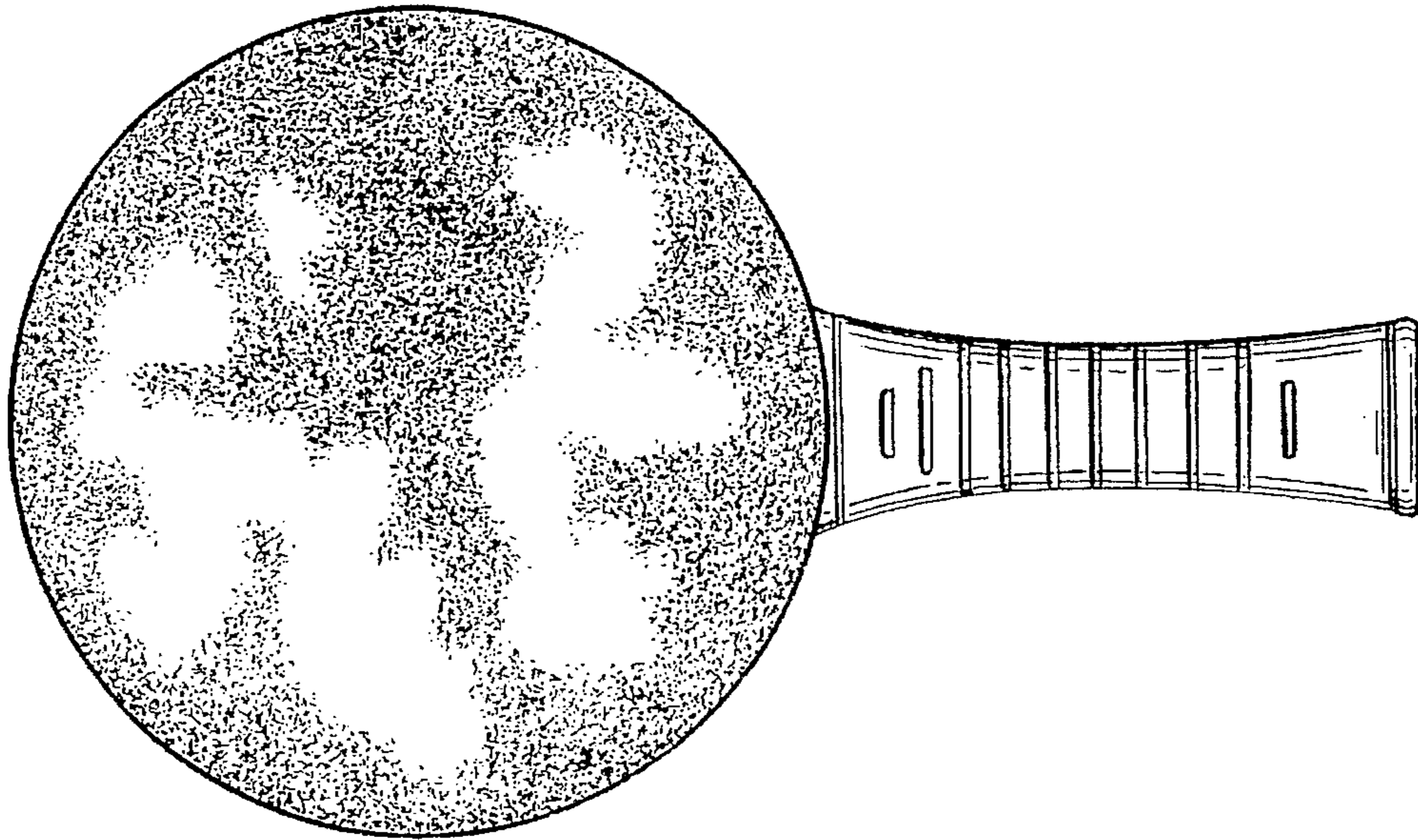


FIG. 4

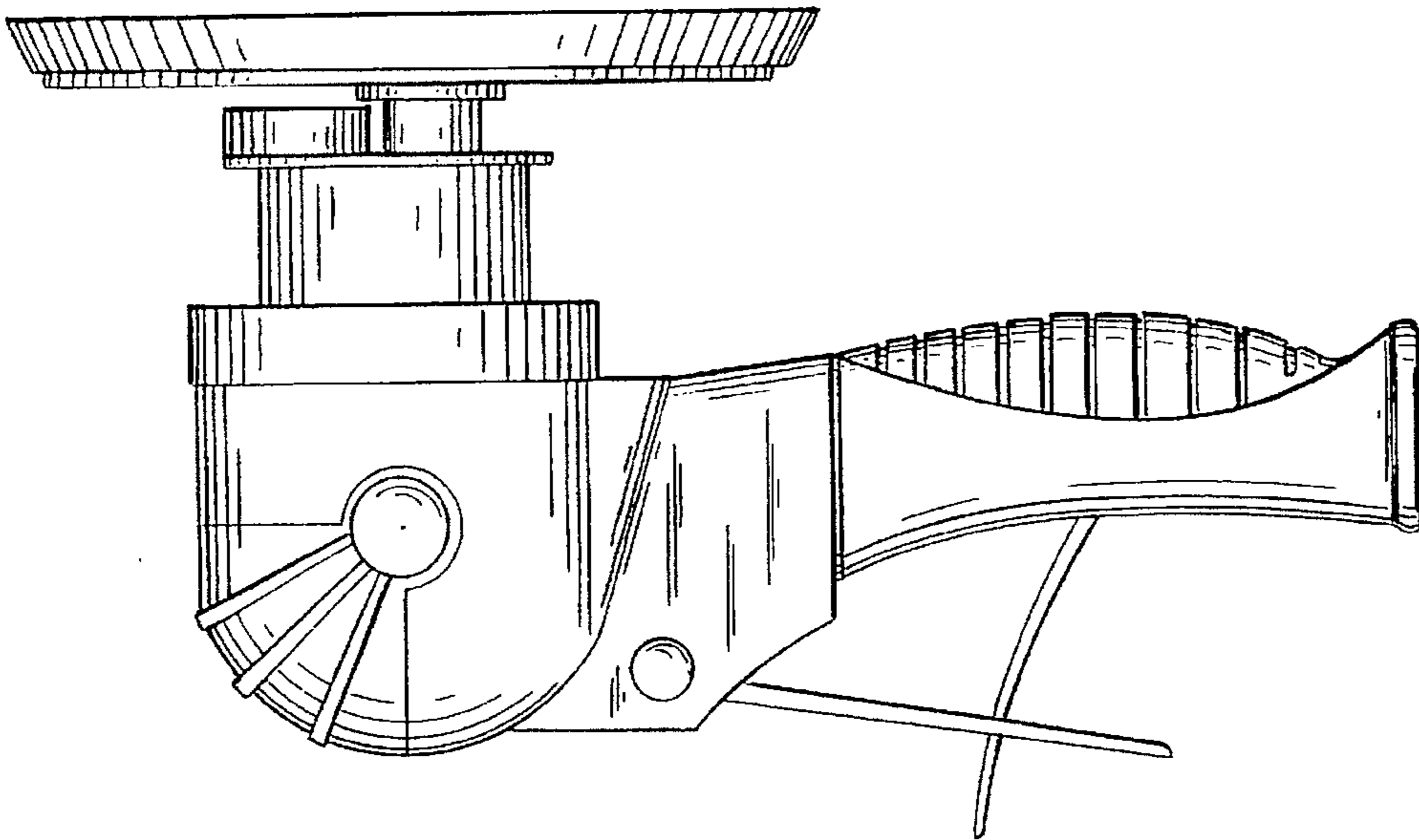


FIG. 3

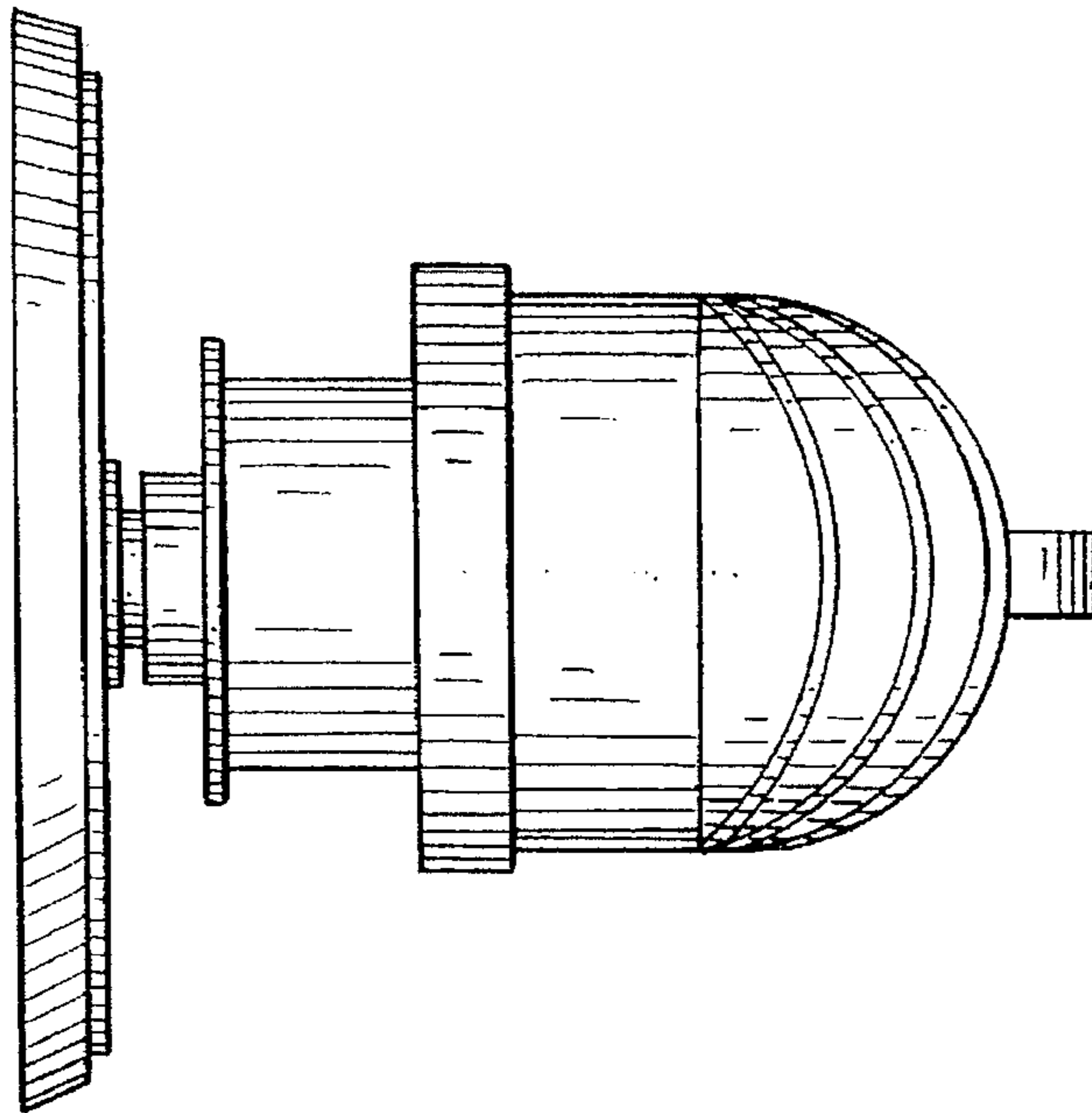


FIG. 5

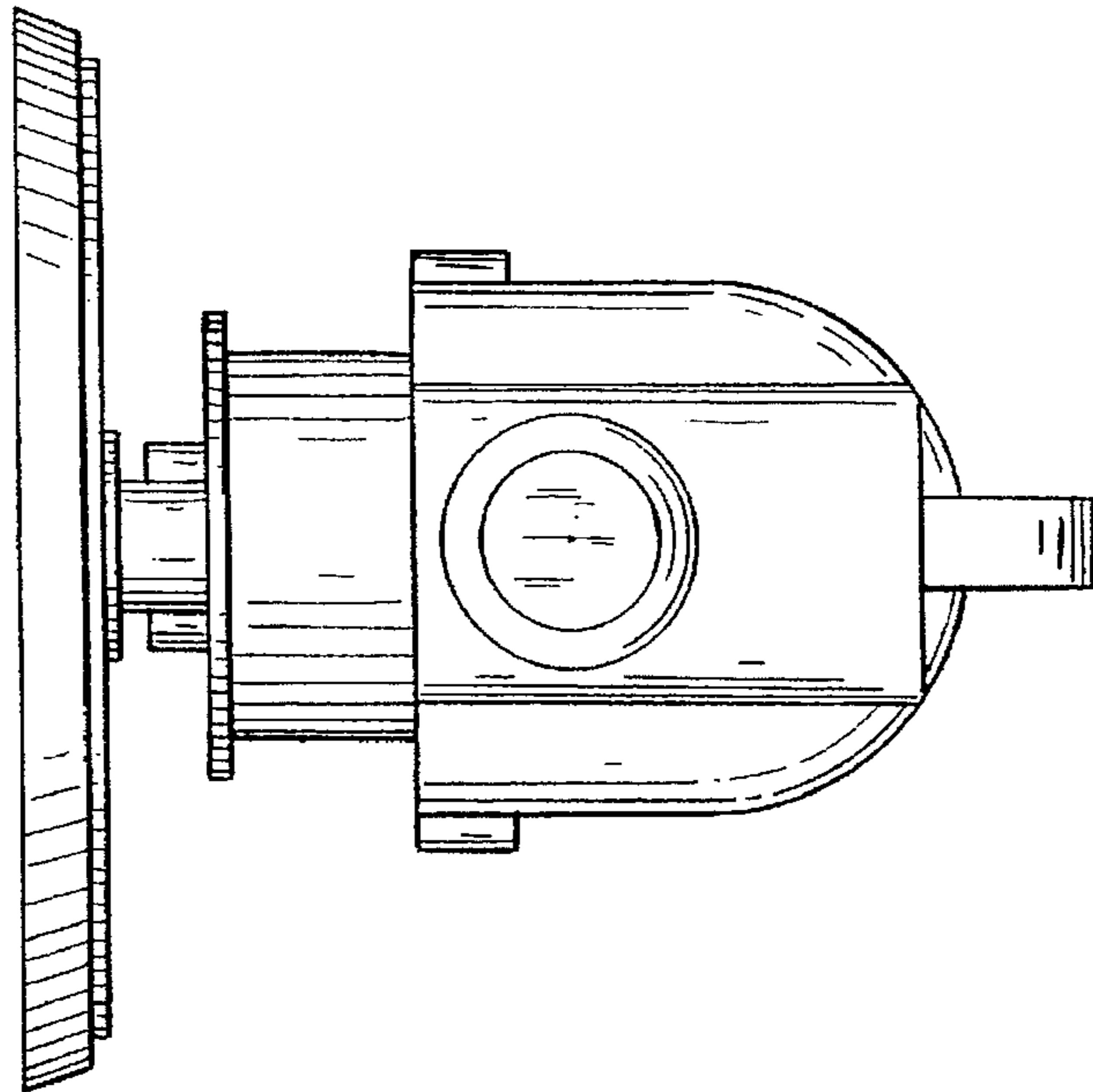


FIG. 6