



US00D381247S

# United States Patent [19]

Zayat, Jr.

[11] Patent Number: **Des. 381,247**

[45] Date of Patent: **\*\*Jul. 22, 1997**

[54] **UNIVERSAL SOCKET TOOL**

[76] Inventor: **Charles D. Zayat, Jr.**, 100 New Hampshire St., Cranston, R.I. 02920

[\*\*] Term: **14 Years**

[21] Appl. No.: **39,245**

[22] Filed: **May 25, 1995**

[51] LOC (6) Cl. .... **08-05**

[52] U.S. Cl. .... **D8/29**

[58] Field of Search ..... D8/29, 14; 81/119, 81/121.1, 125

[56] **References Cited**

**U.S. PATENT DOCUMENTS**

2,895,362	7/1959	Jamgotchian	.....	81/119
3,475,999	11/1969	Roberts et al.	.....	81/63

*Primary Examiner*—B. J. Bullock  
*Assistant Examiner*—Richelle Shelton  
*Attorney, Agent, or Firm*—Salter & Michaelson

[57] **CLAIM**

The ornamental design for universal socket tool, as shown and described.

**DESCRIPTION**

FIG. 1 is a front perspective view of a universal socket tool showing my new design;

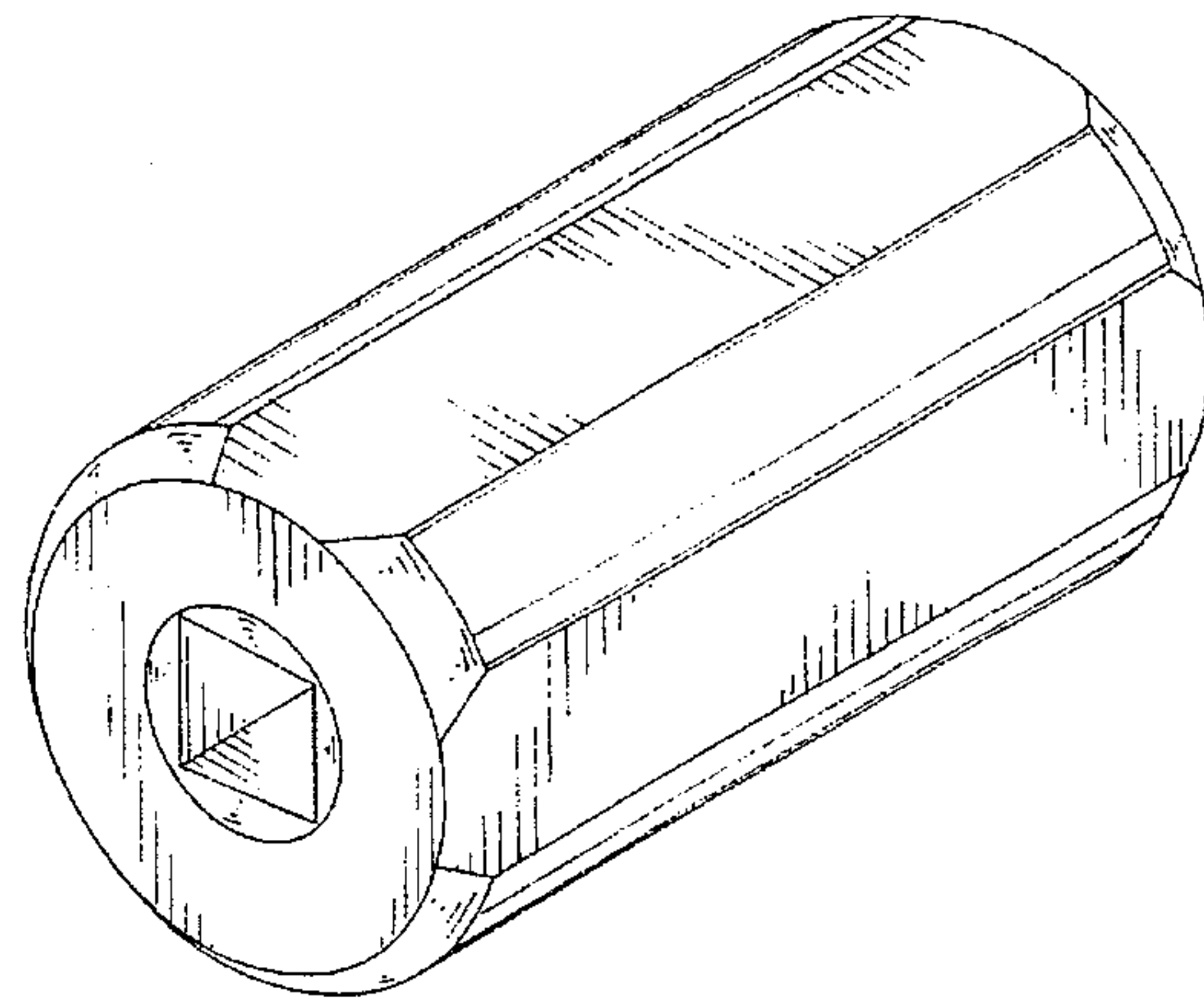
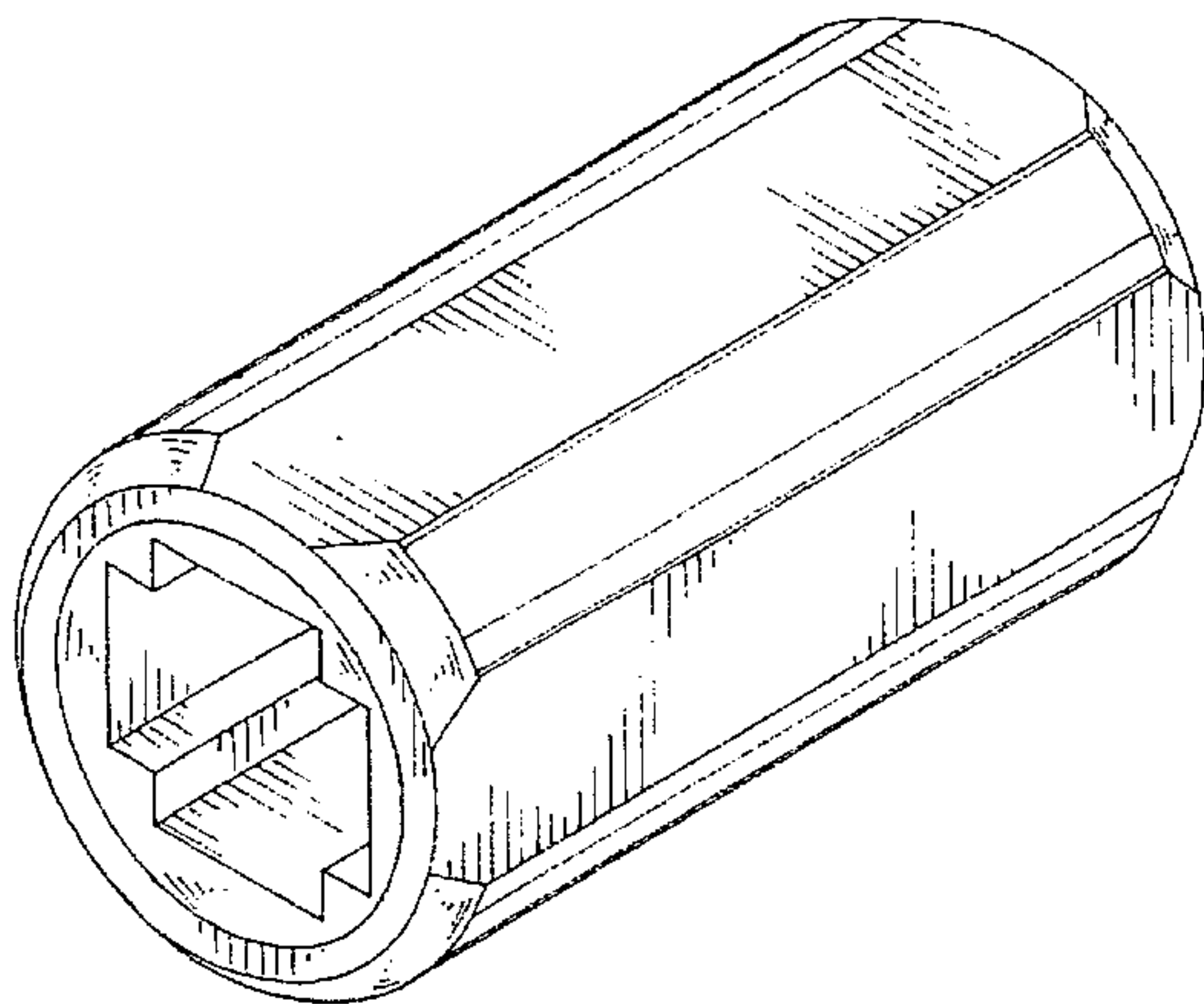
FIG. 2 is a rear perspective view thereof;

FIG. 3 is a front view thereof;

FIG. 4 is a rear view thereof; and,

FIG. 5 is a right side view thereof, the left side, top and bottom views being identical.

**1 Claim, 1 Drawing Sheet**



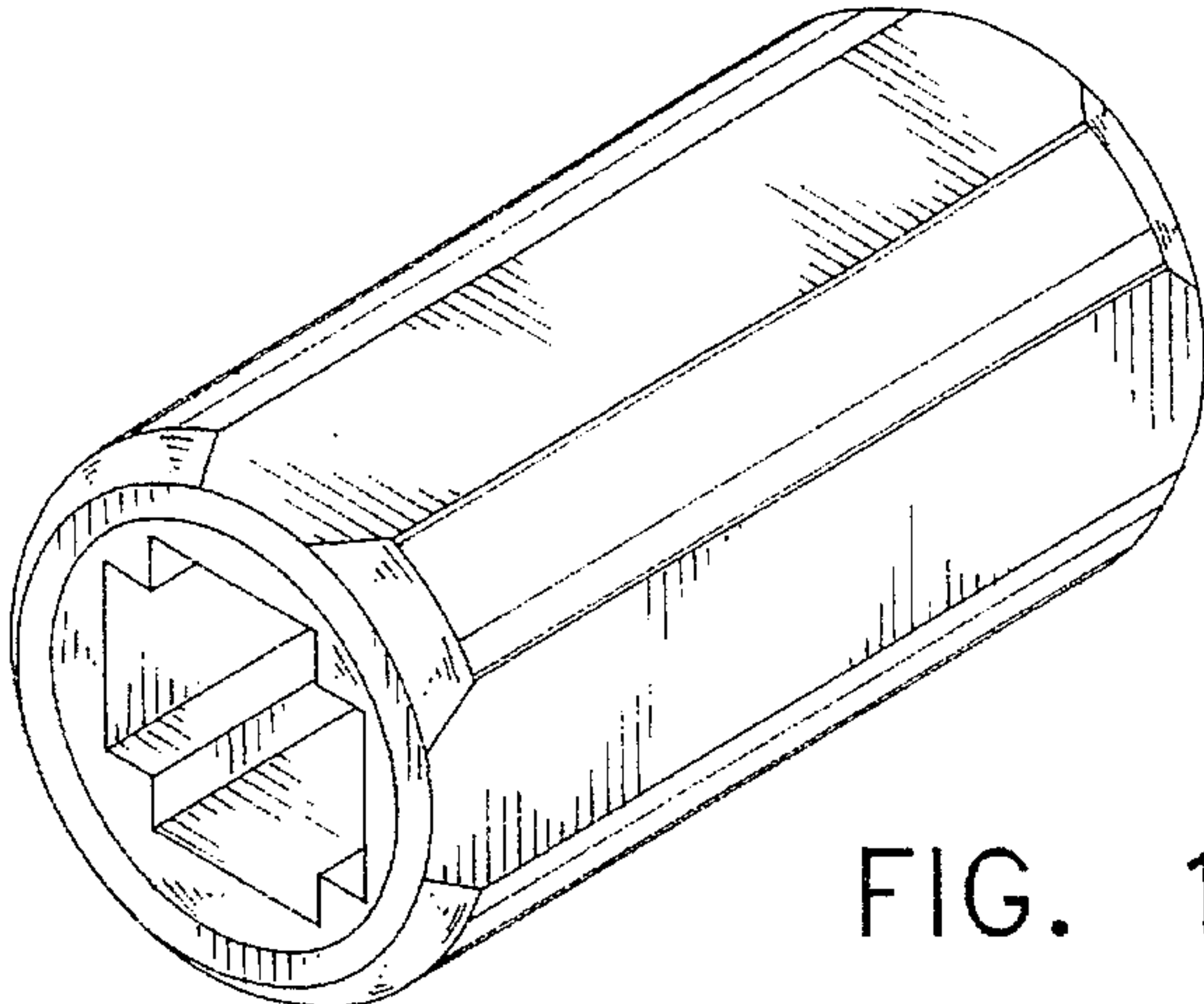


FIG. 1

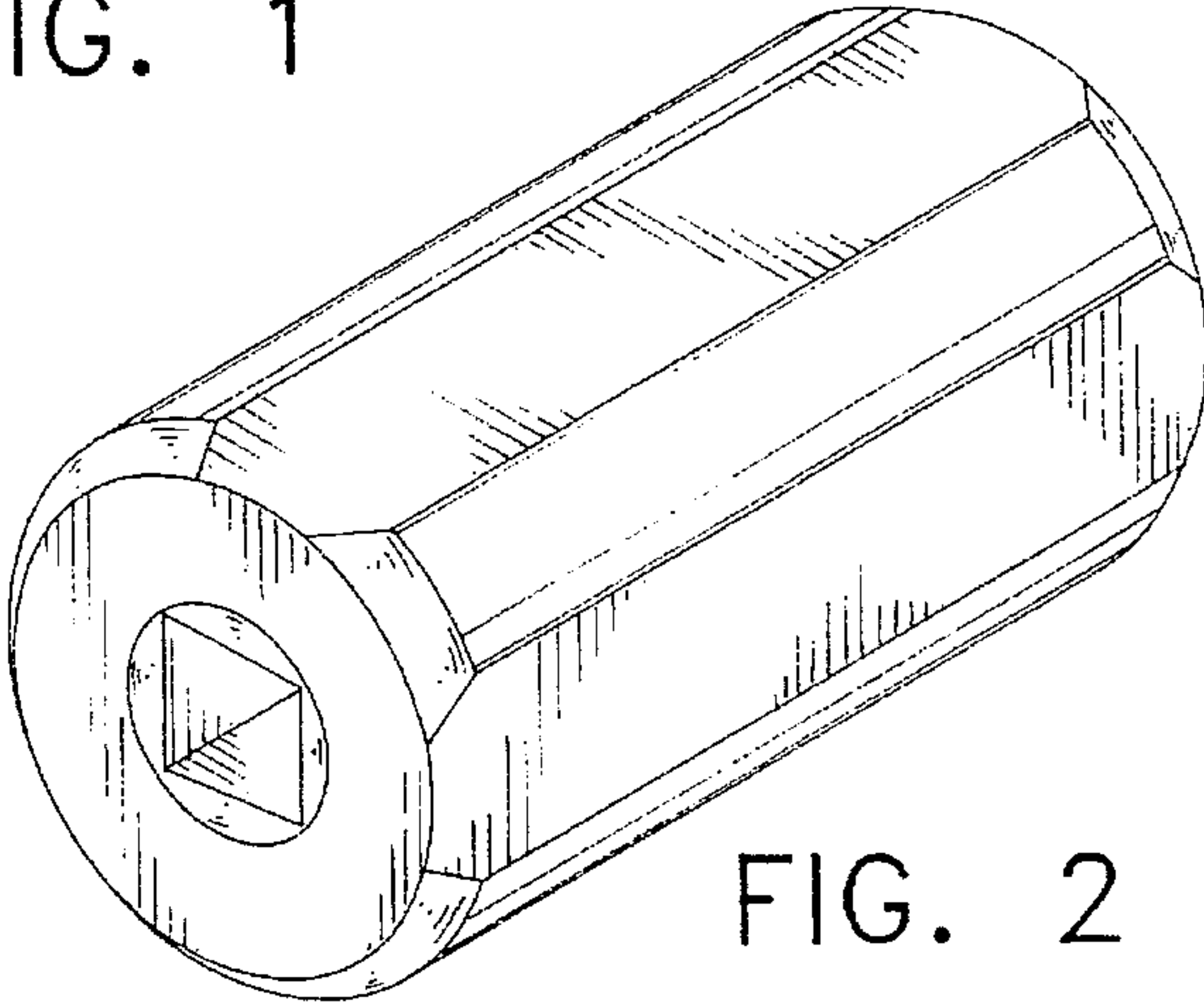


FIG. 2

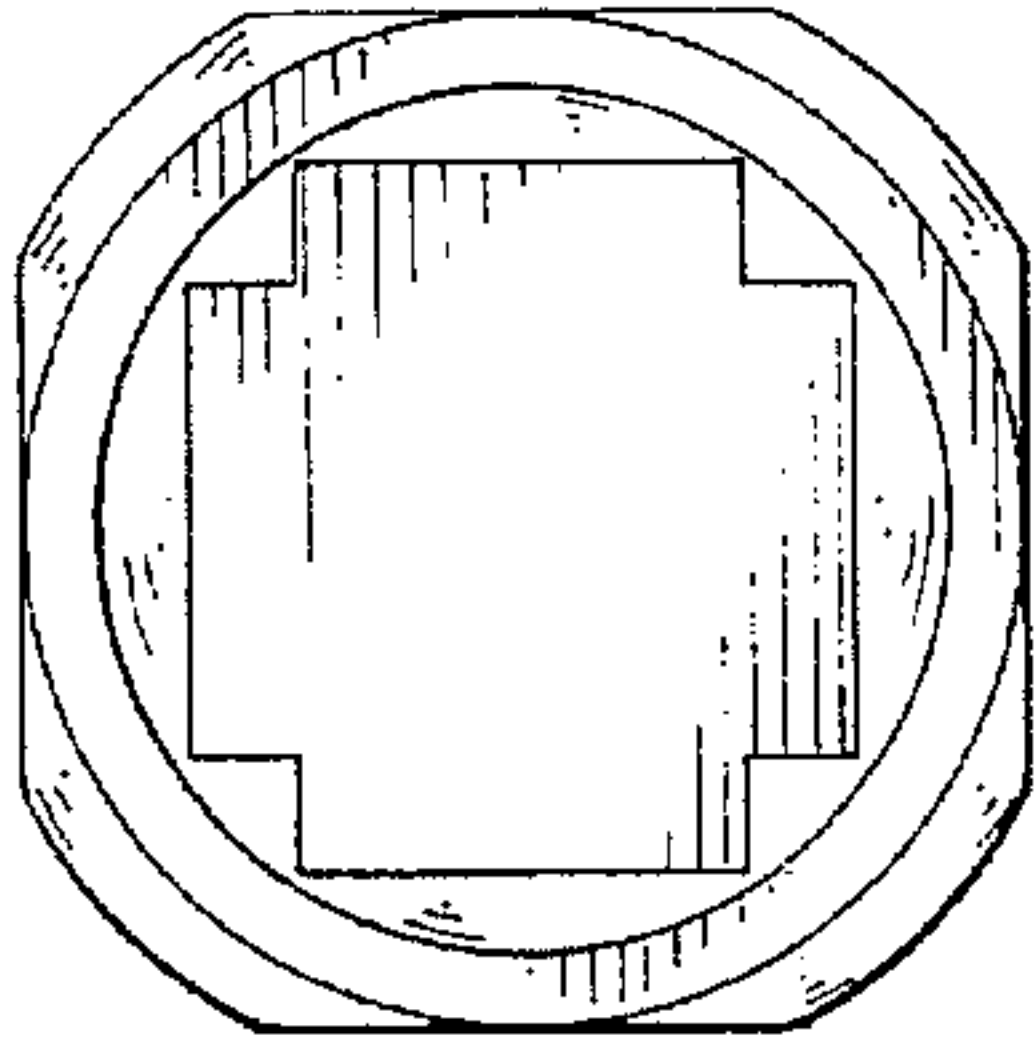


FIG. 3

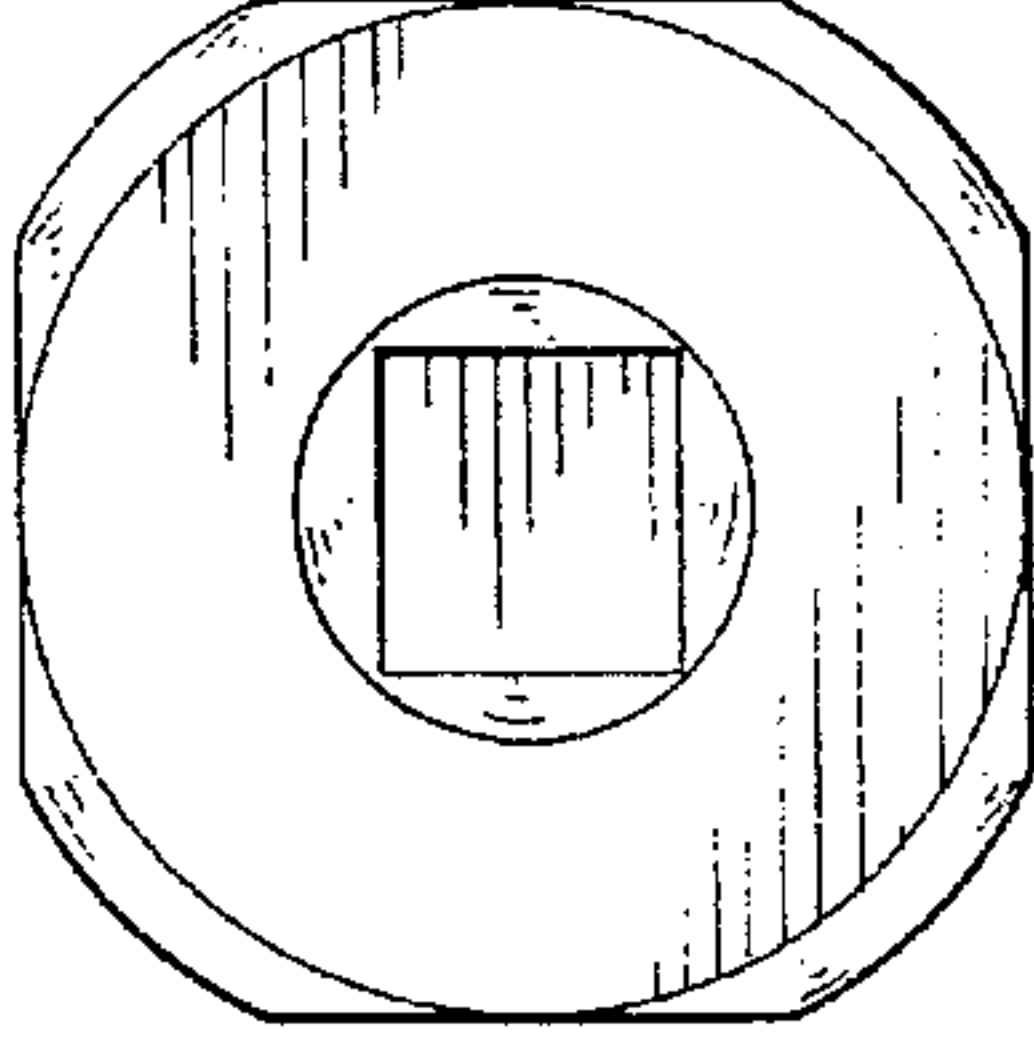


FIG. 4

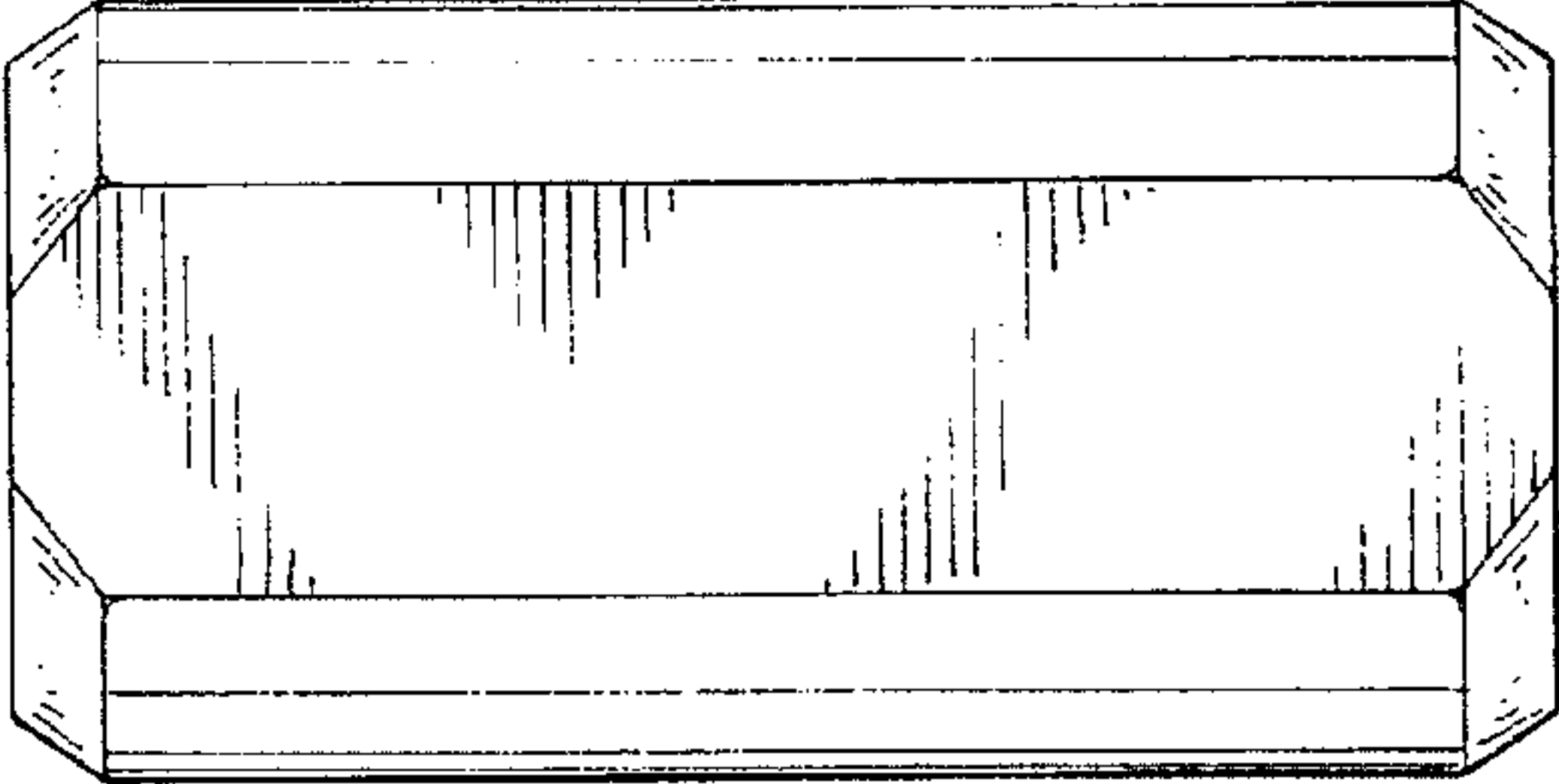


FIG. 5