



US00D381245S

United States Patent [19]

[11] Patent Number: Des. 381,245

Eisbrenner et al.

[45] Date of Patent: **Jul. 22, 1997

[54] THREE DIMENSIONAL CONFECTIONERY MOLD

DESCRIPTION

[76] Inventors: **Susan J. Eisbrenner; Bill Eisbrenner**, both of 5036 Meadowbrook Road, Prince George, BC, Canada

[**] Term: **14 Years**

[21] Appl. No.: **46,577**

[22] Filed: **Oct. 6, 1995**

[51] LOC (6) Cl. **07-04**

[52] U.S. Cl. **D7/676; D1/105**

[58] Field of Search **D1/102-105; D7/675, D7/676; 249/55, 117, 127, 135; 425/126.2; 426/104, 134, 421, 515**

[56] References Cited

U.S. PATENT DOCUMENTS

D. 335,246	5/1993	Kiyokane	D7/675
2,151,282	3/1939	Stamp	D1/105 X
2,682,234	6/1954	Baldanza	D1/102 X

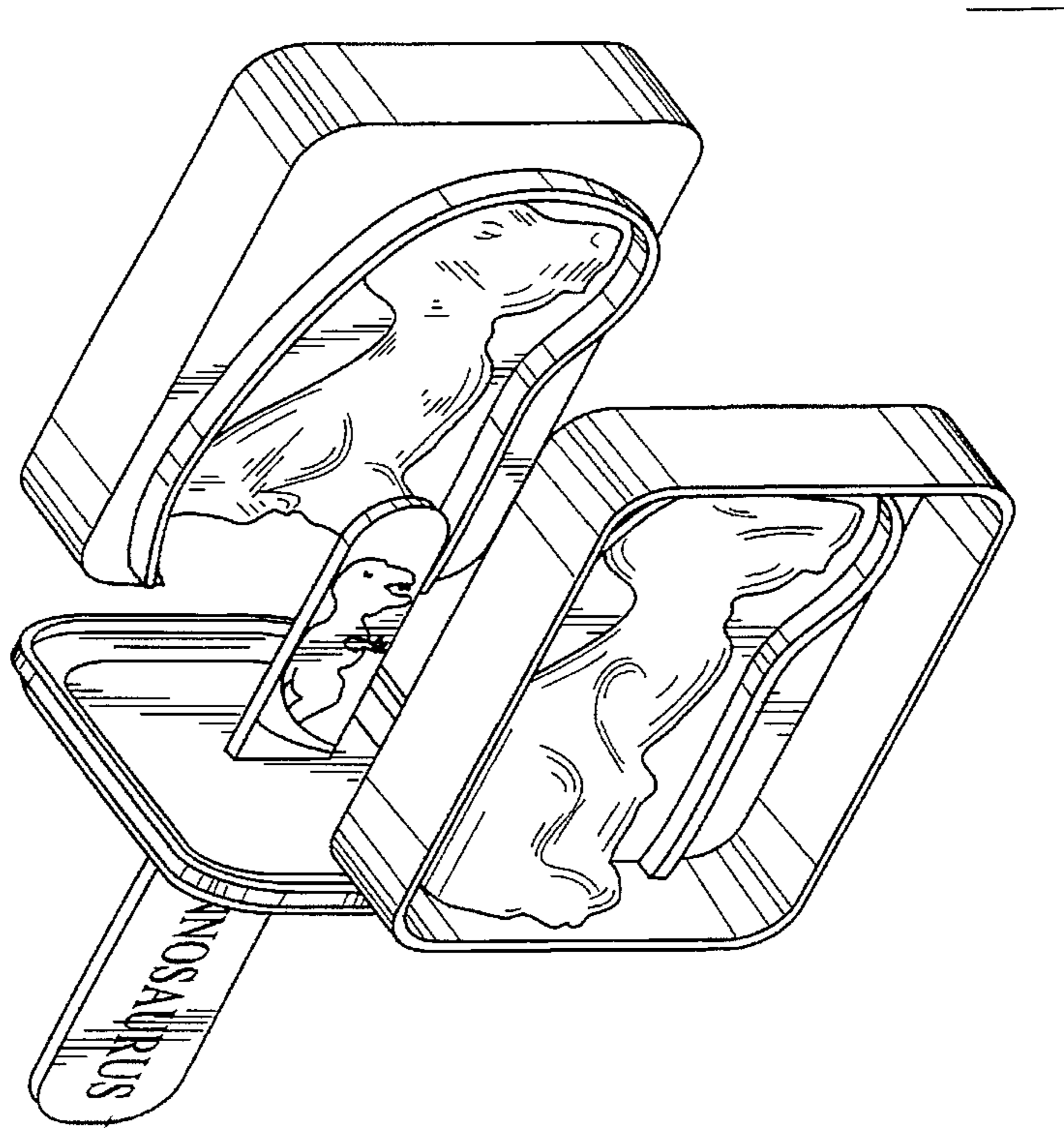
Primary Examiner—Terry A. Wallace
Attorney, Agent, or Firm—Harold H. Dutton, Jr.; W. Charles L. Jamison; Diane F. Liebman

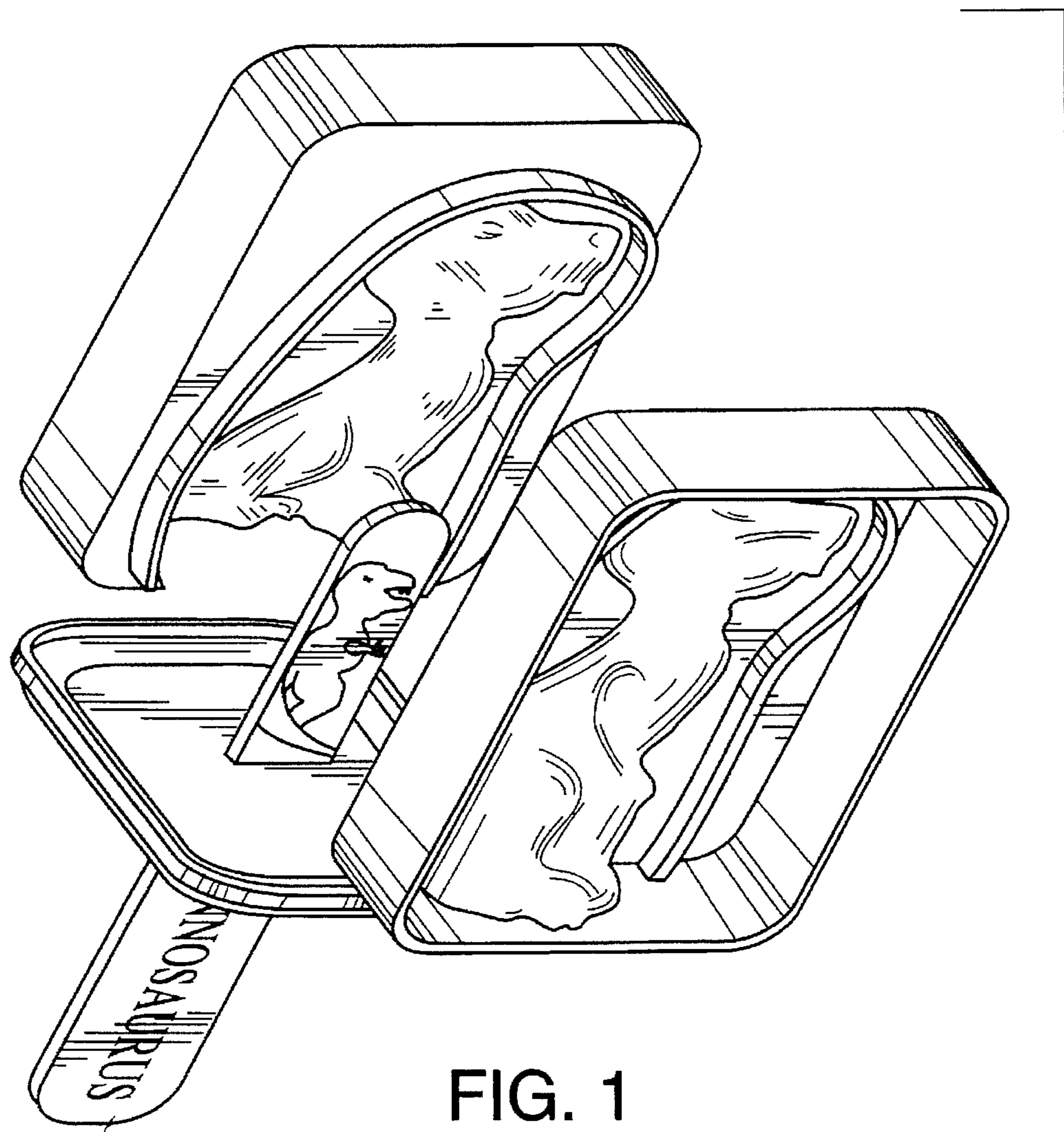
[57] CLAIM

The ornamental design for a three dimensional confectionery mold, as shown and described

FIG. 1 is an exploded view of a three dimensional confectionery mold showing our new design;
 FIG. 2 is a front view of the left hand portion thereof;
 FIG. 3 is a rear view thereof;
 FIG. 4 is a right side view thereof;
 FIG. 5 is a left side view thereof;
 FIG. 6 is a top view thereof;
 FIG. 7 is a bottom view thereof;
 FIG. 8 is a front view of the right hand portion of a three dimensional confectionery mold;
 FIG. 9 is a rear view thereof;
 FIG. 10 is a right side view thereof;
 FIG. 11 is a left side view thereof;
 FIG. 12 is a top view thereof;
 FIG. 13 is a bottom view thereof;
 FIG. 14 is a front view of the central portion of a three dimensional confectionery mold;
 The rear view is a mirror image thereof;
 FIG. 15 is a right side view thereof;
 The left side is a mirror image of the right side;
 FIG. 16 is top view thereof; and
 FIG. 17 is a bottom view.
 FIGS. 2-17 are shown separately for clarity of illustration.

1 Claim, 7 Drawing Sheets





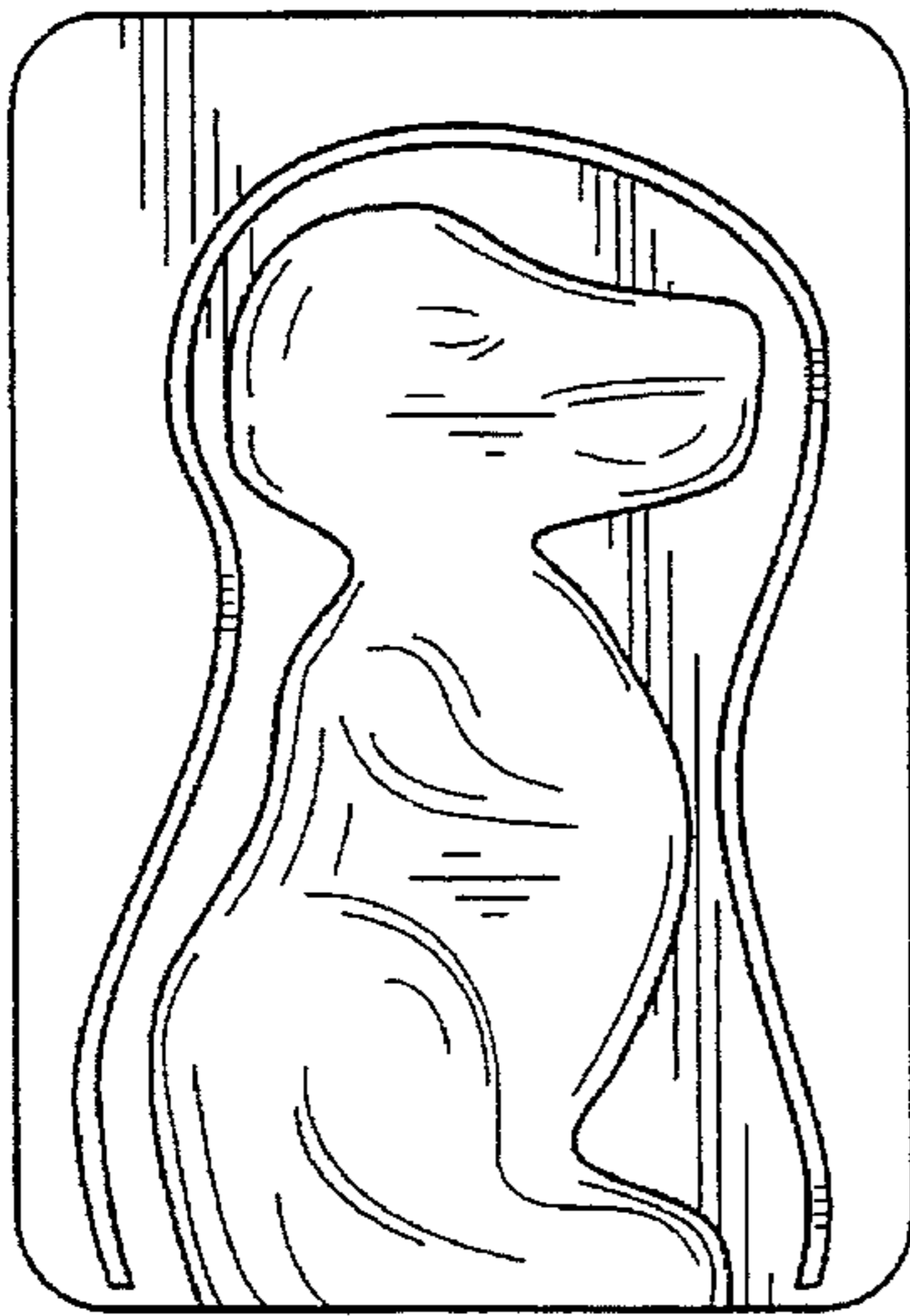


FIG. 2

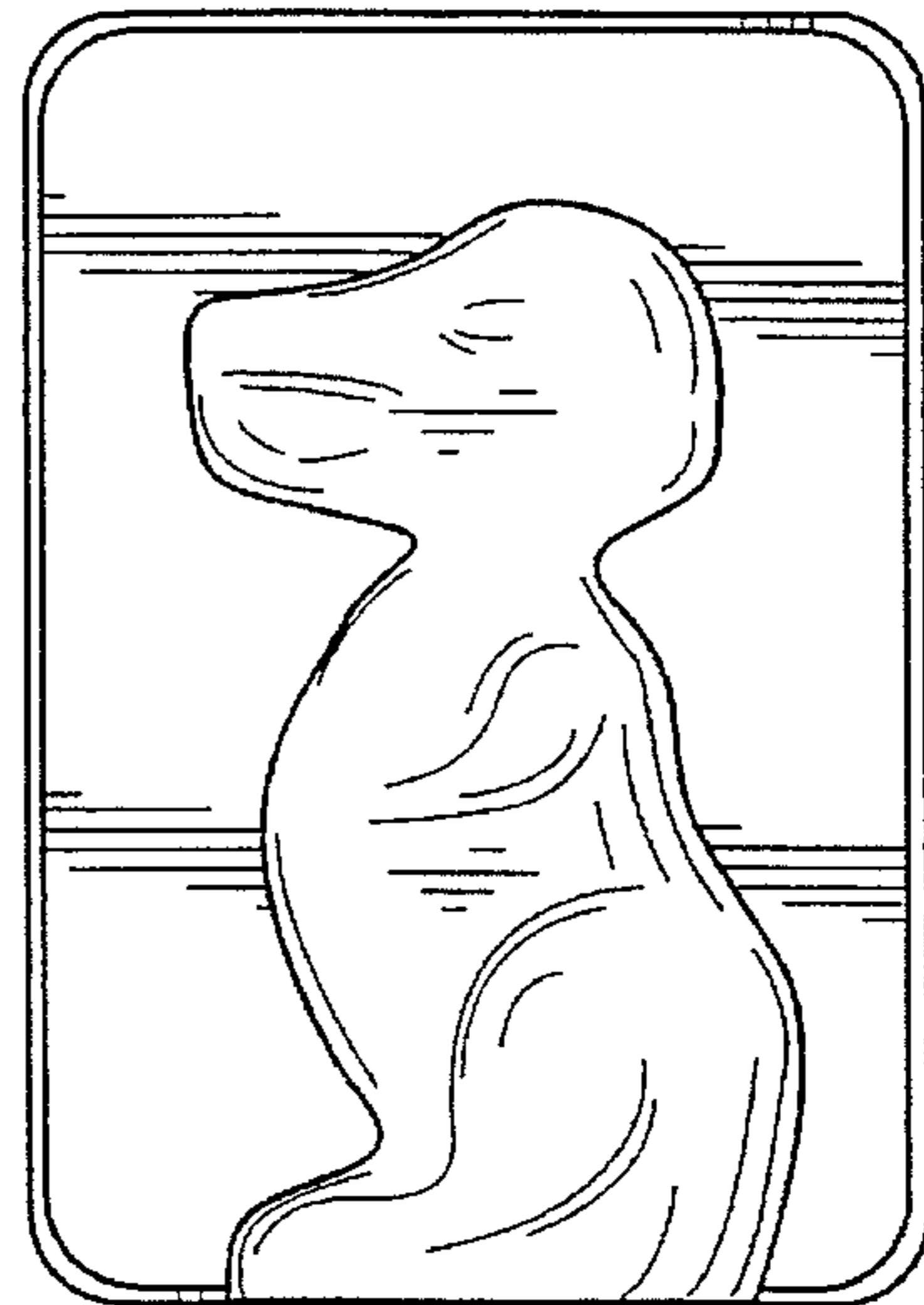


FIG. 3

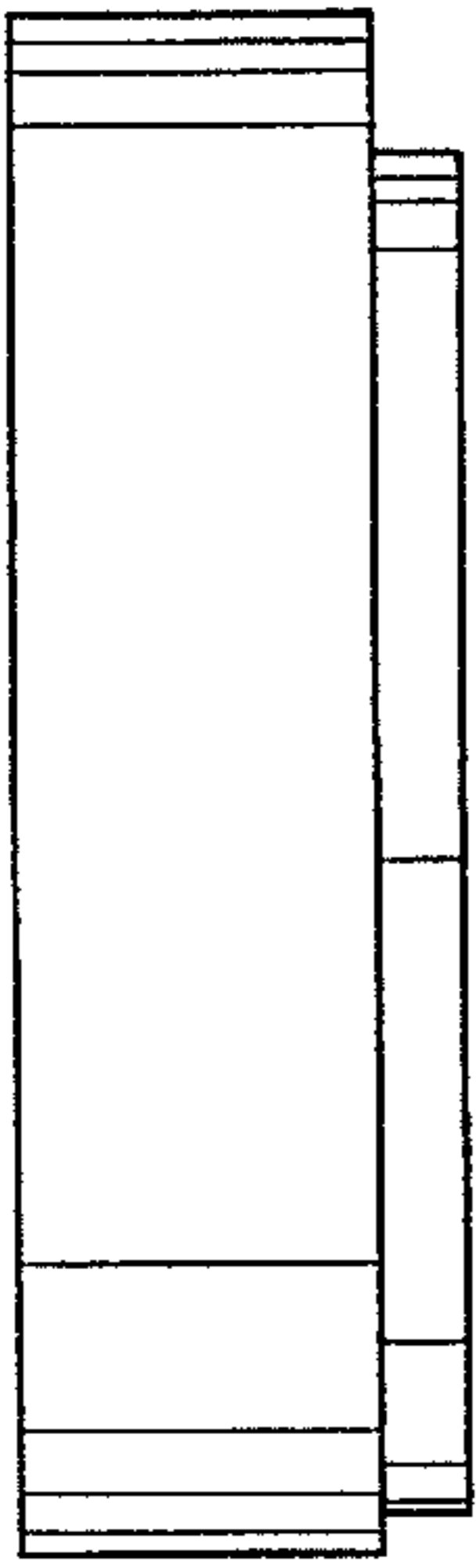


FIG. 4

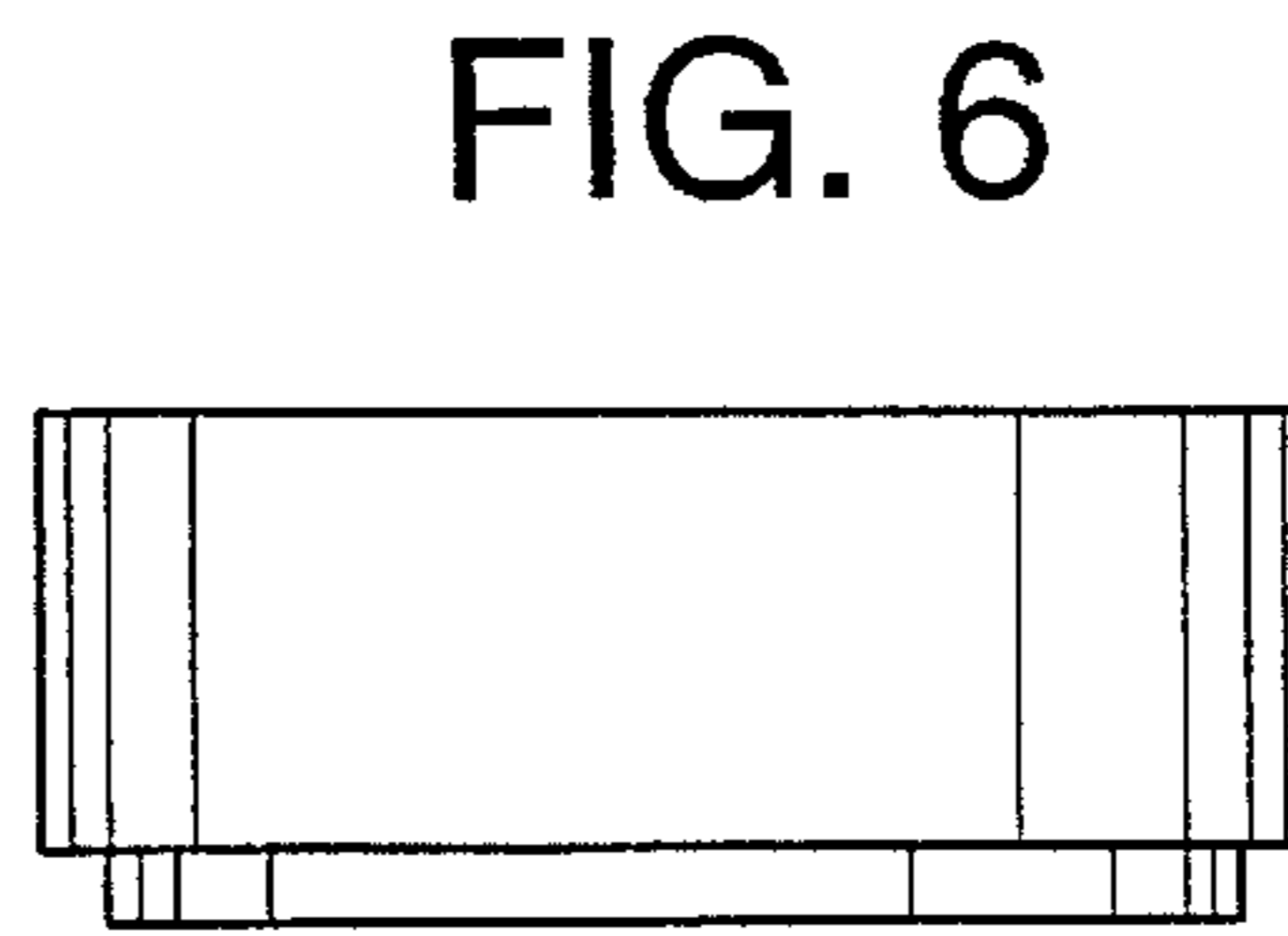


FIG. 6

FIG. 5

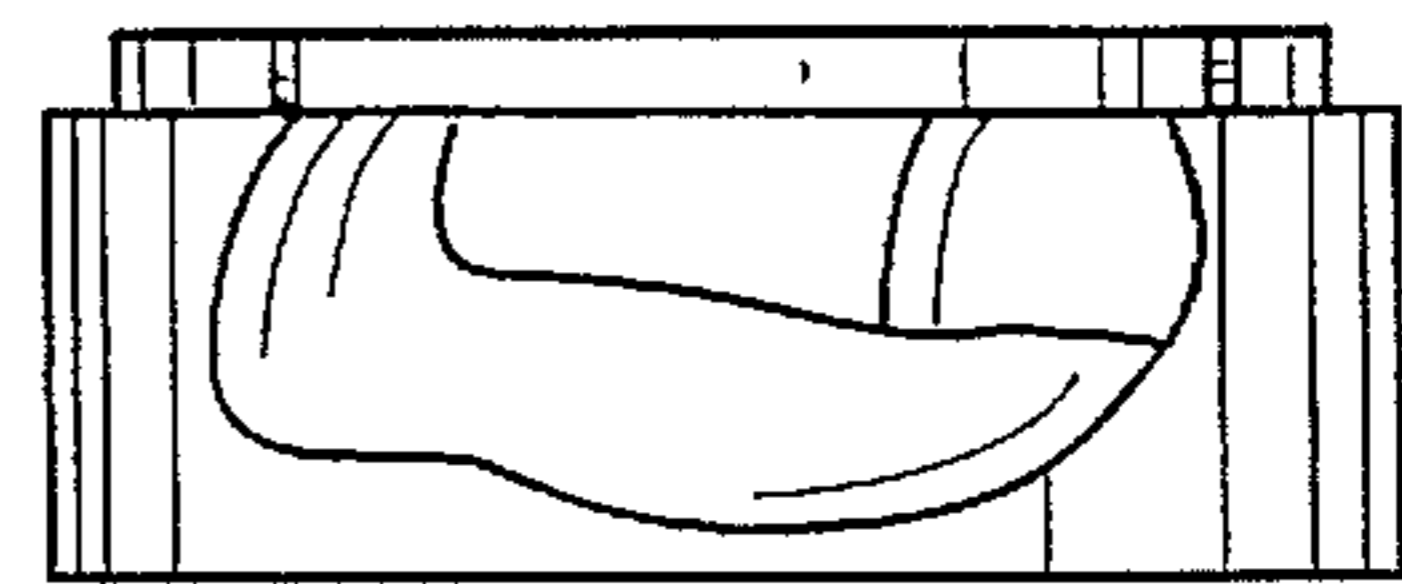
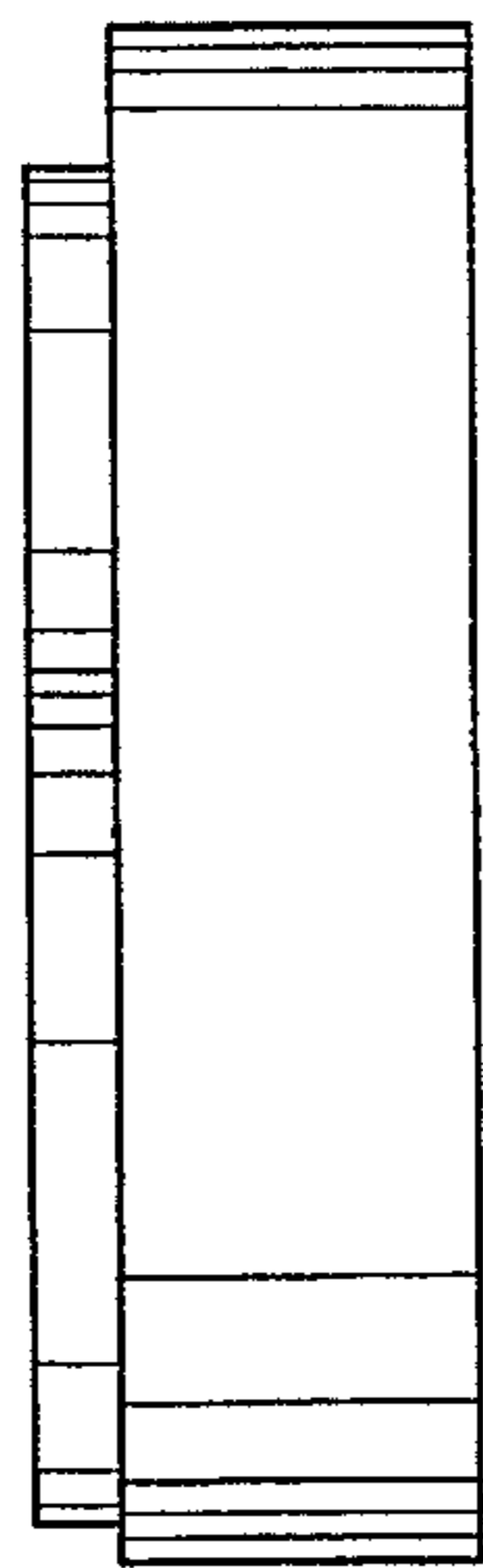


FIG. 7

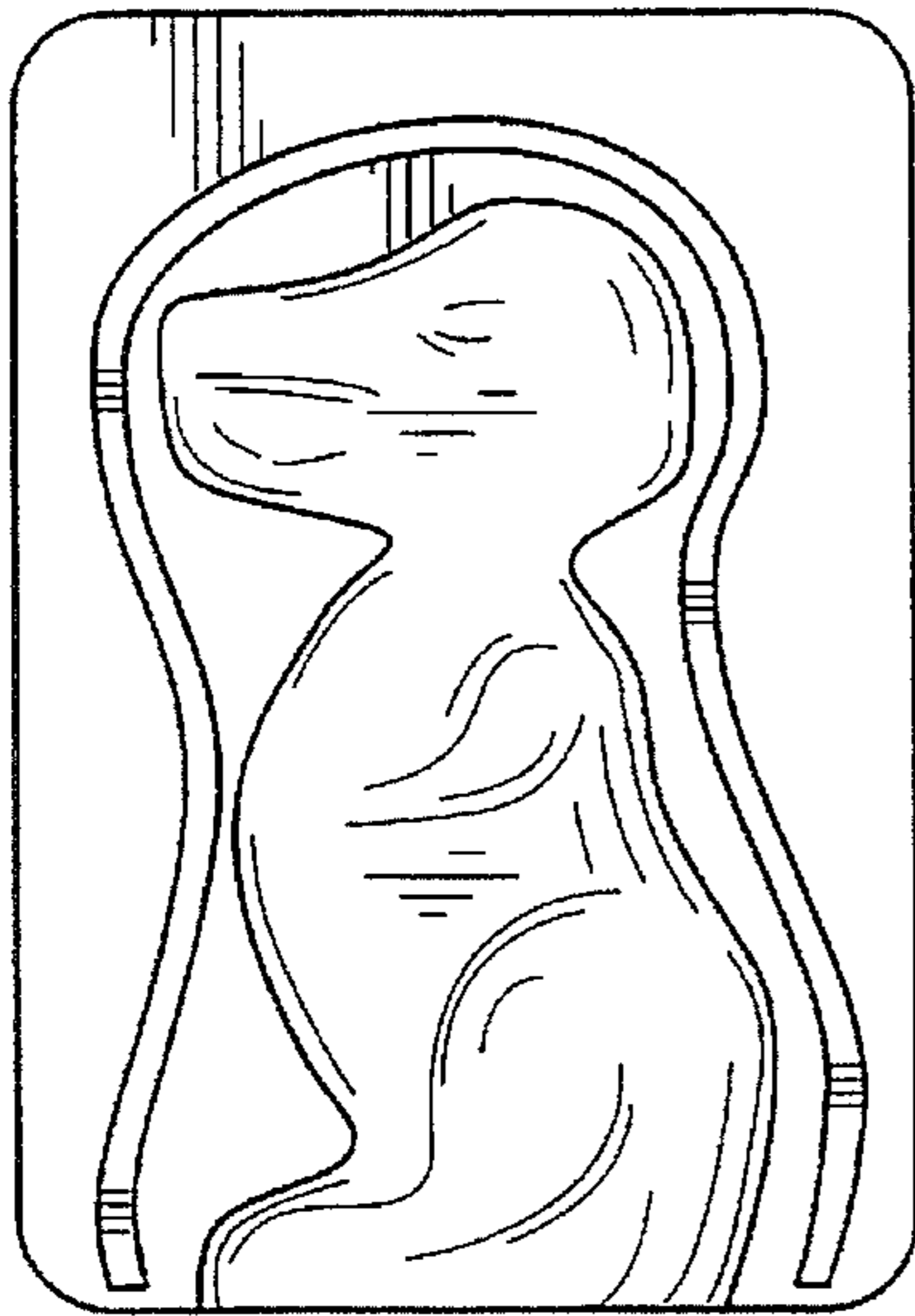


FIG. 8

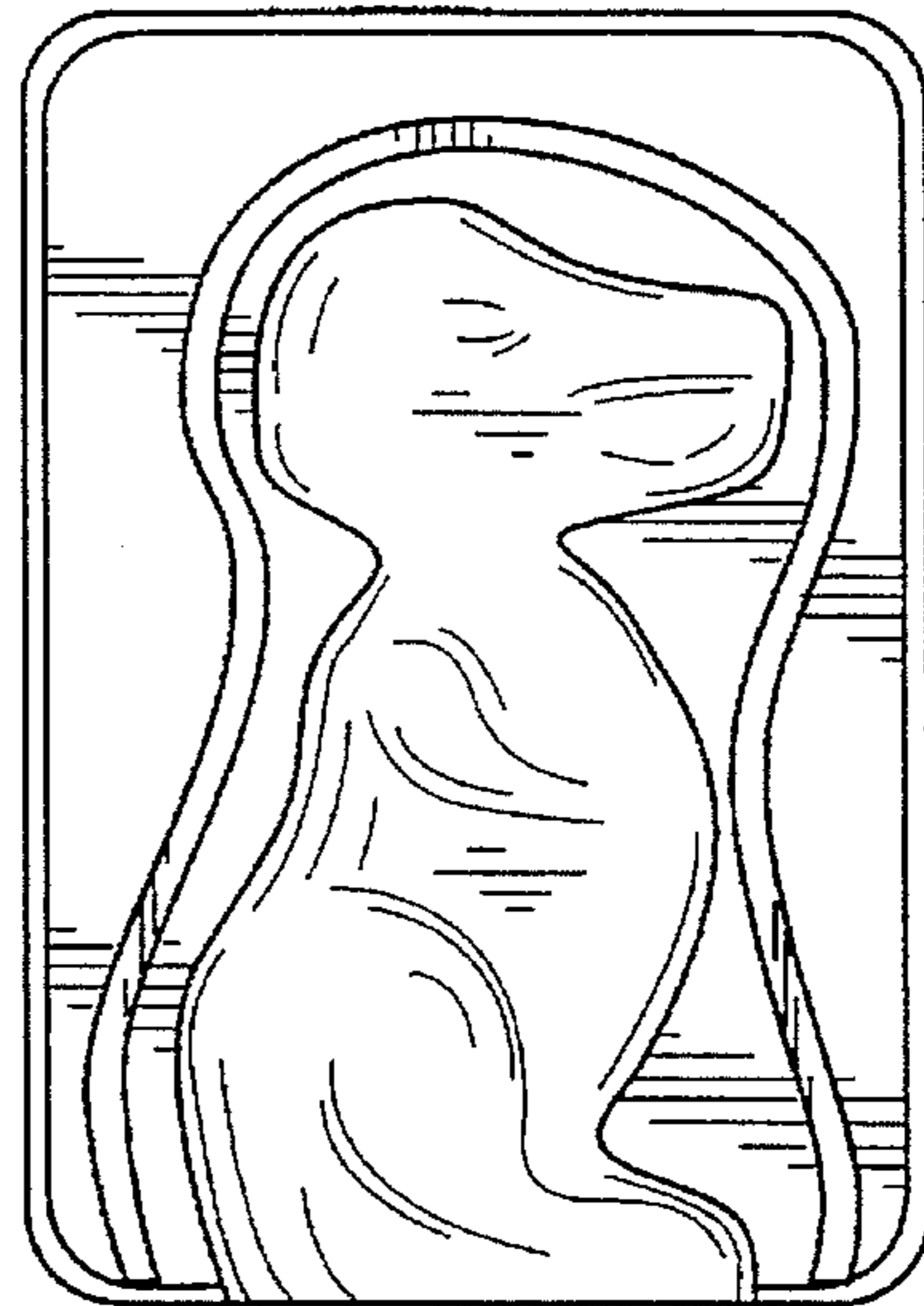


FIG. 9

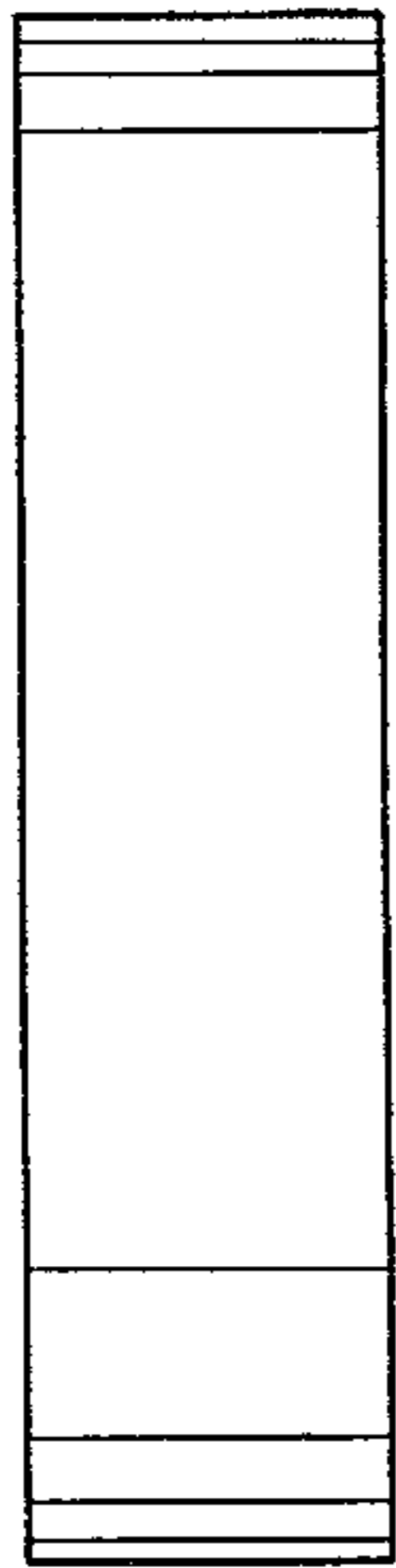


FIG. 10

FIG. 12



FIG. 11

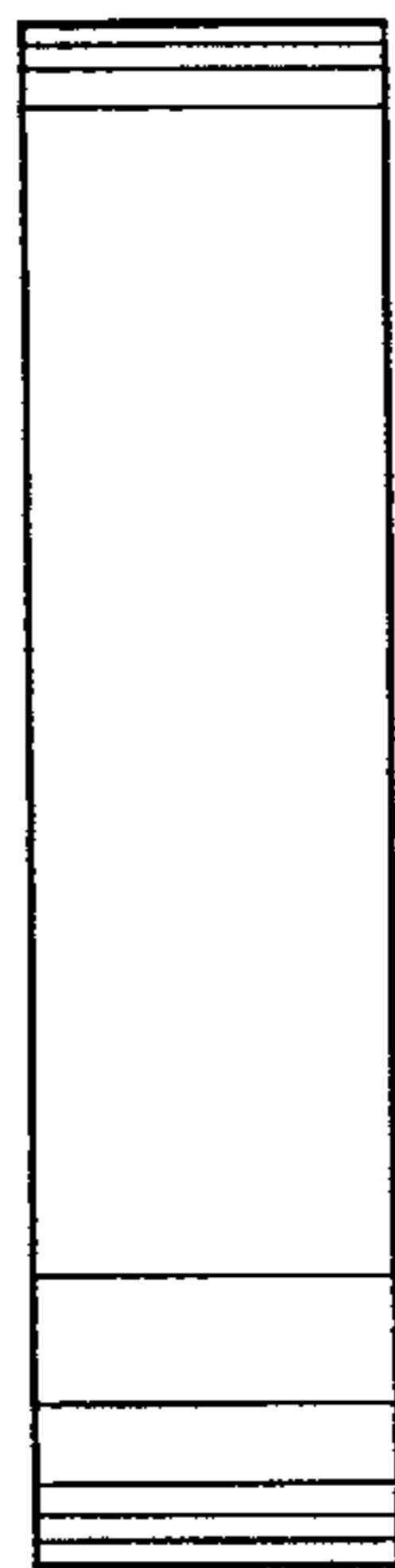
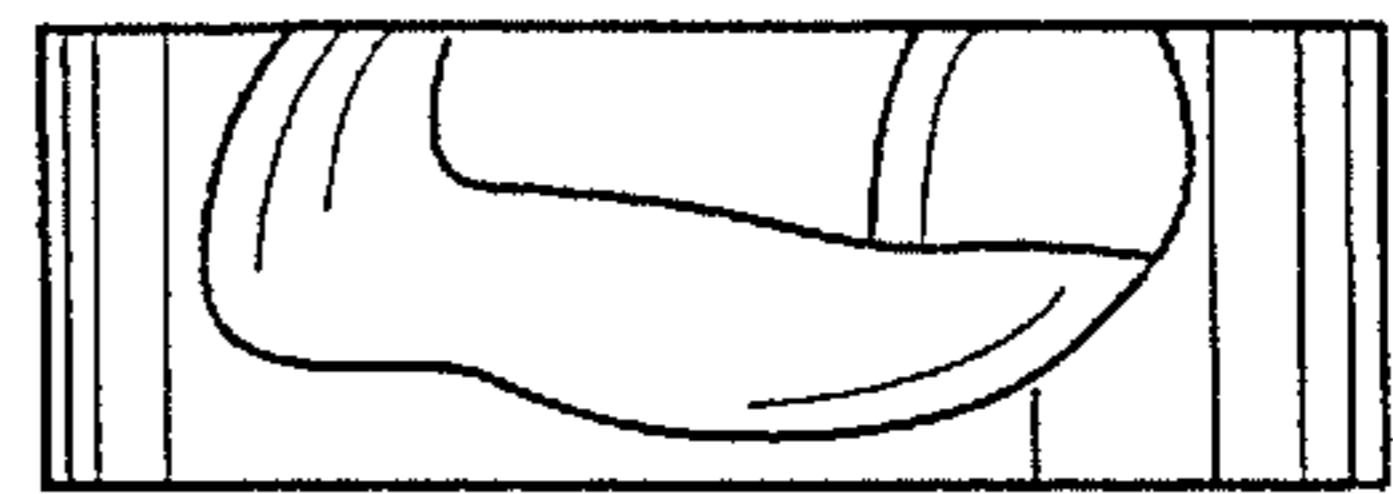


FIG. 13



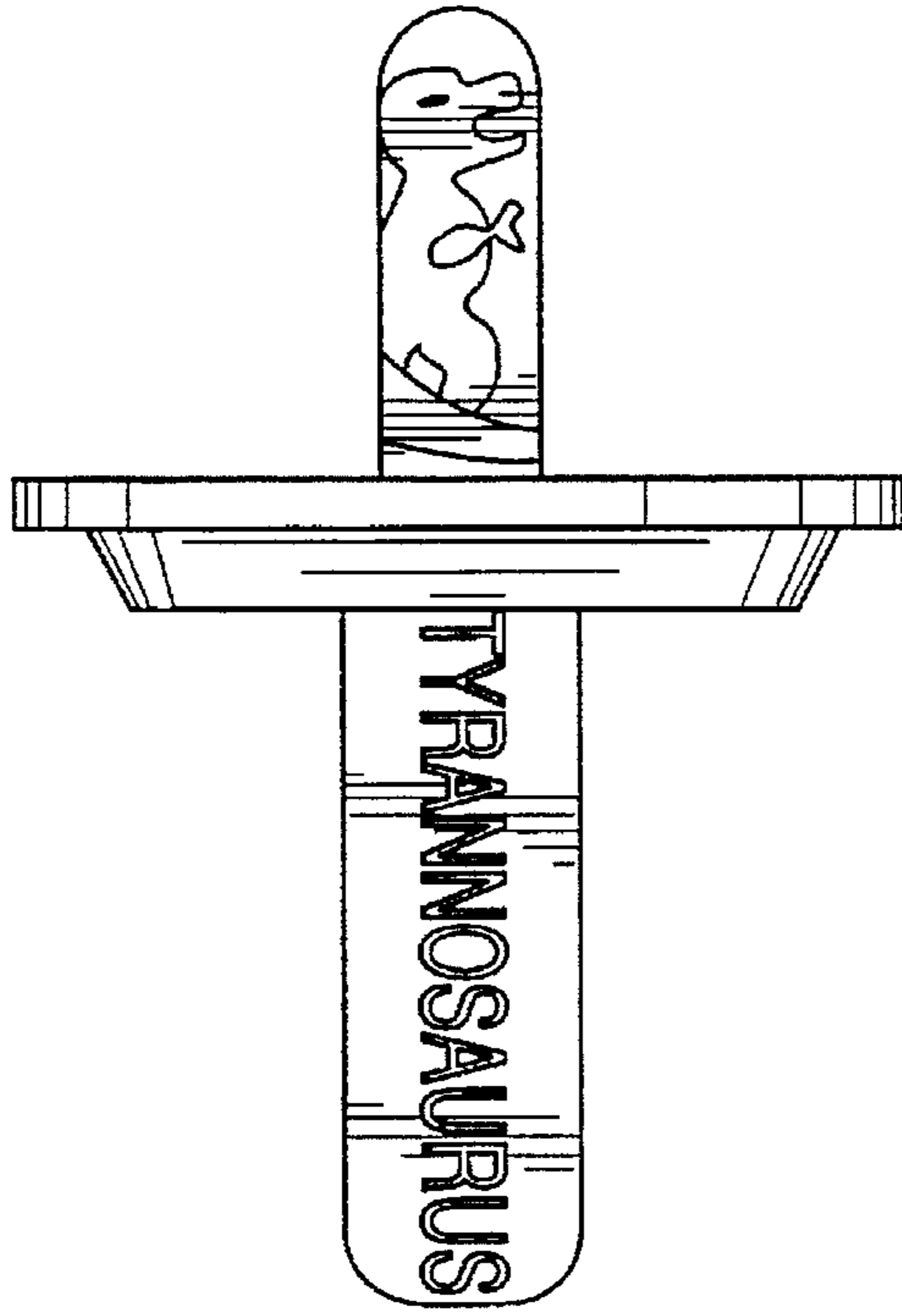


FIG. 14

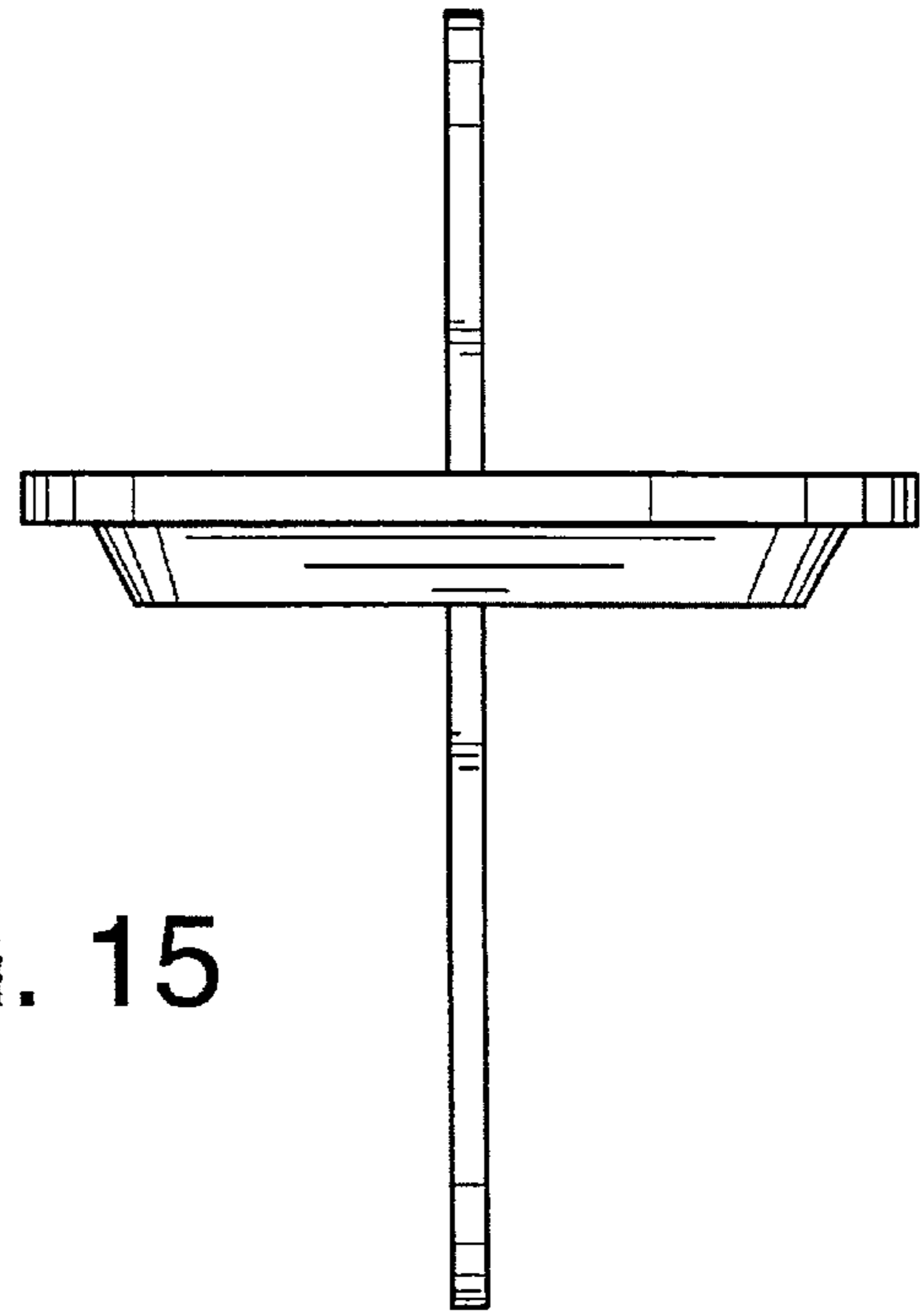


FIG. 15

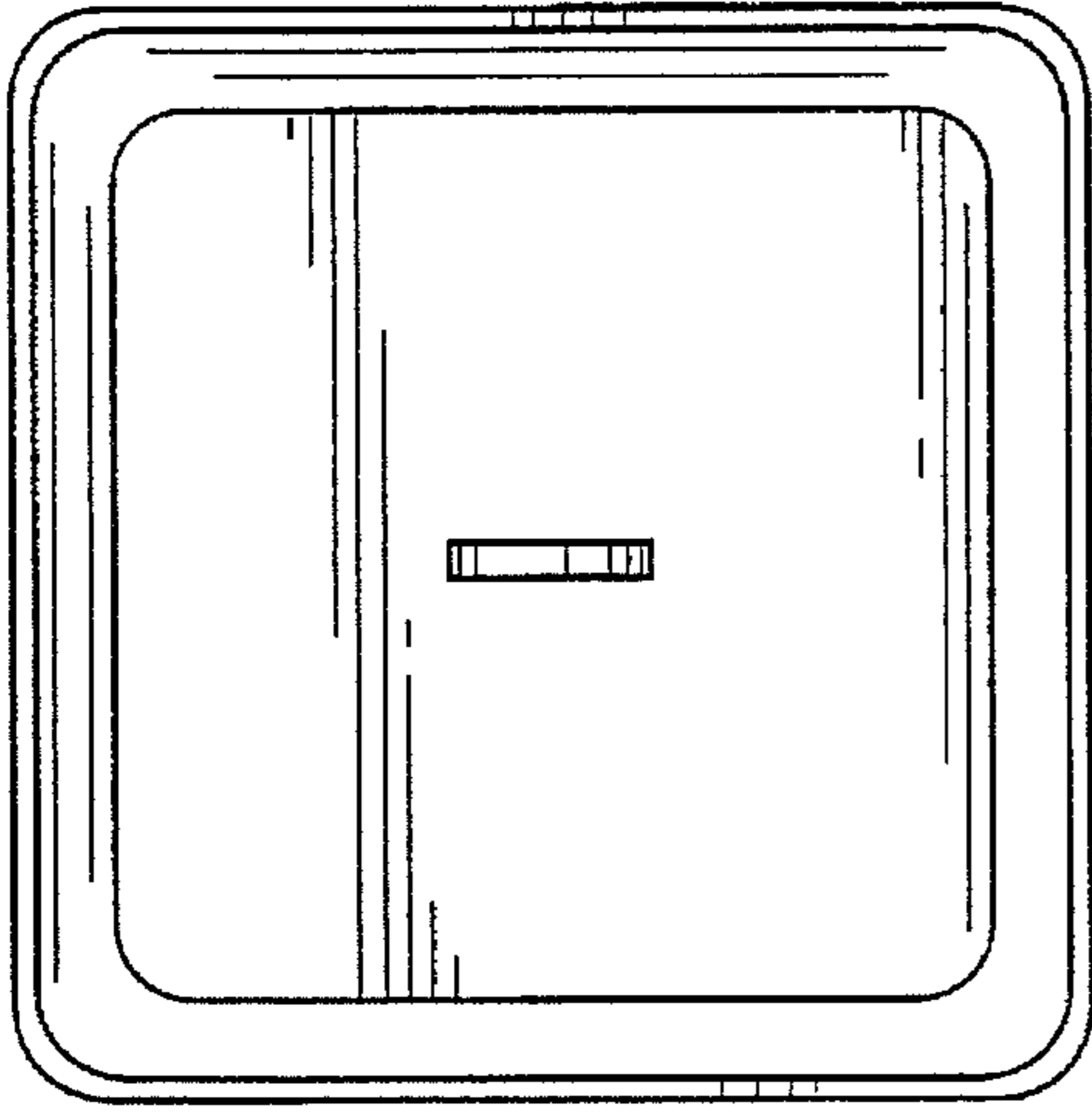


FIG. 16

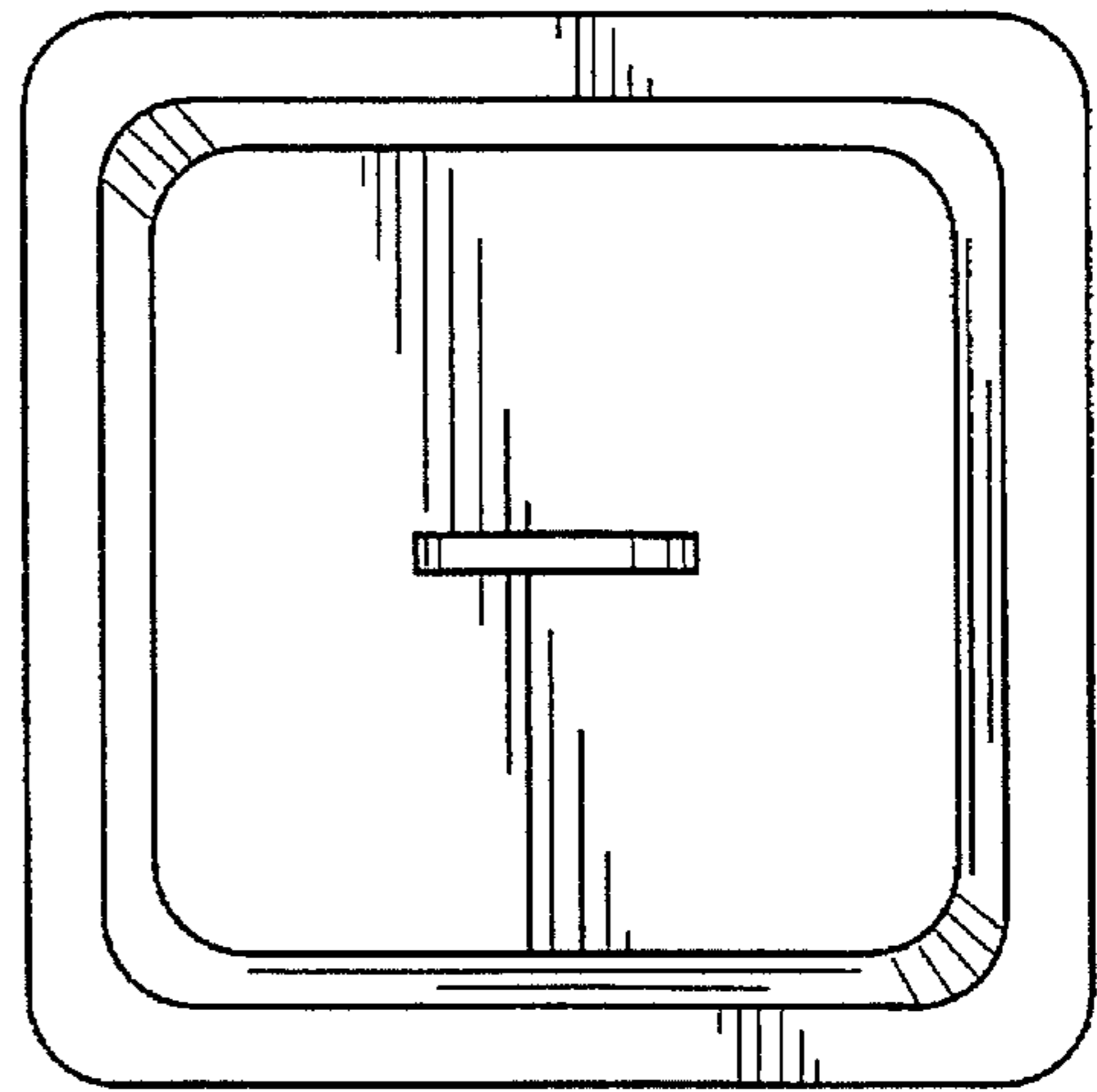


FIG. 17