



US00D381244S

United States Patent [19]
Laib

[11] **Patent Number: Des. 381,244**

[45] **Date of Patent: **Jul. 22, 1997**

[54] **CAKE SLICER**

3,130,764 4/1964 Donovan D7/673 X

4,553,325 11/1985 Allahverdian .

4,637,138 1/1987 Piché D7/688 X

[75] Inventor: **Douglas M. Laib**, Orlando, Fla.

[73] Assignee: **Dart Industries Inc.**, Orlando, Fla.

Primary Examiner—Terry A. Wallace

Attorney, Agent, or Firm—John A. Doninger

[**] Term: **14 Years**

[57] **CLAIM**

[21] Appl. No.: **41,741**

The ornamental design for a cake slicer, as shown and described.

[22] Filed: **Jul. 24, 1995**

DESCRIPTION

[51] **LOC (6) Cl.** **07-04**

[52] **U.S. Cl.** **D7/673**

[58] **Field of Search** D7/672, 673, 693,
D7/696; 30/114, 124, 302, 303; 294/7

FIG. 1 is a top, front and side perspective view of a cake slicer, showing my new design;

FIG. 2 is a top plan view thereof;

FIG. 3 is a bottom plan view thereof;

FIG. 4 is a rear elevational view thereof;

FIG. 5 is a front elevational view thereof;

FIG. 6 is a right side elevational view thereof; and,

FIG. 7 is a left side elevational view thereof.

The design is characterized by a pair of hemispherical pads provided at the transition areas between the opposed sides of the handle and the slicing head.

[56] **References Cited**

U.S. PATENT DOCUMENTS

D. 248,271	6/1978	McGee, III .	
D. 295,485	5/1988	Ferrin et al.	D7/673
D. 363,860	11/1995	Gallo	D7/673
593,386	11/1897	Williams et al. .	
2,264,486	12/1941	Smith et al. .	
2,804,335	8/1957	Stilgebauer .	
2,841,868	7/1958	O'Brien .	

1 Claim, 2 Drawing Sheets

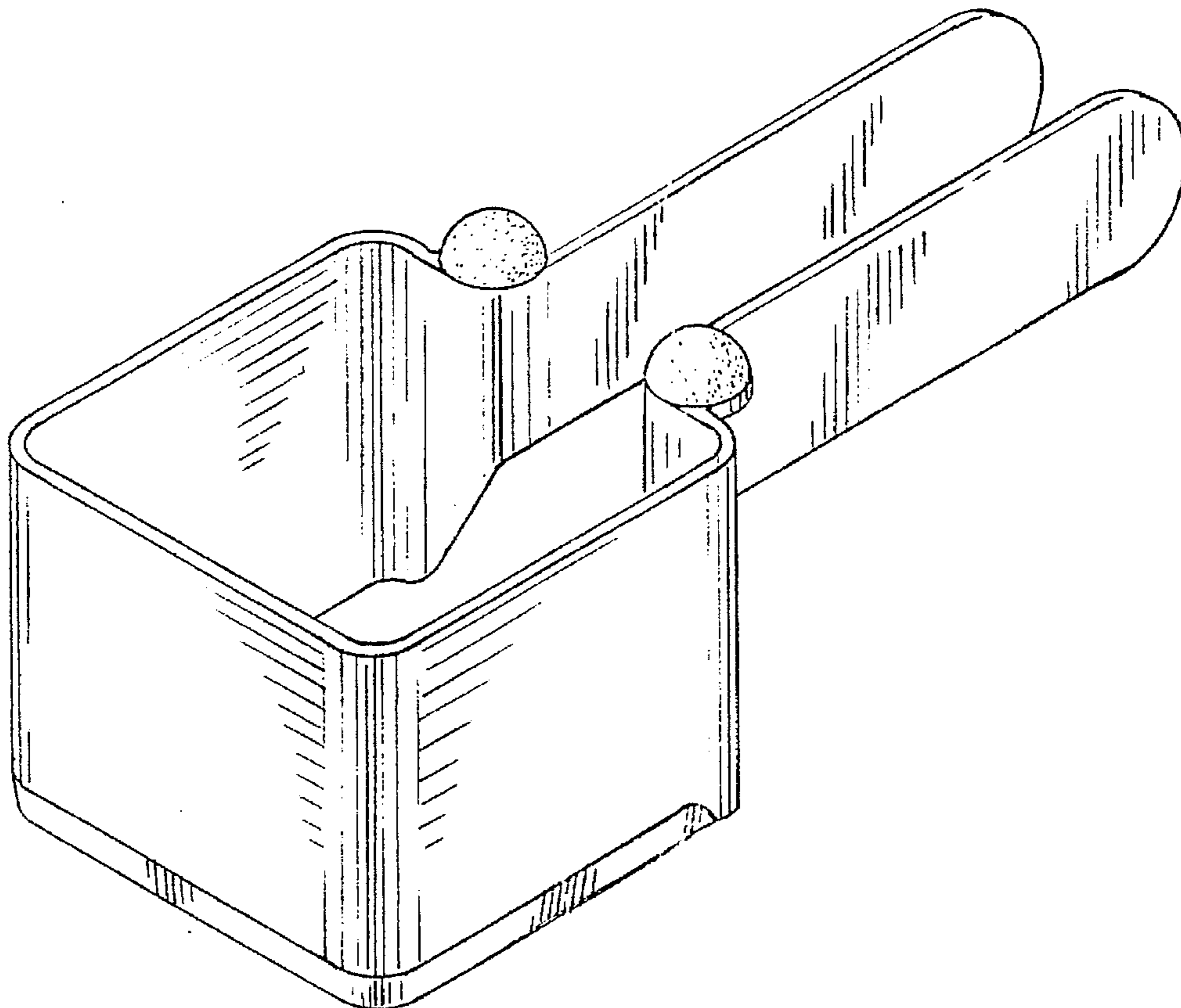


FIG. 1

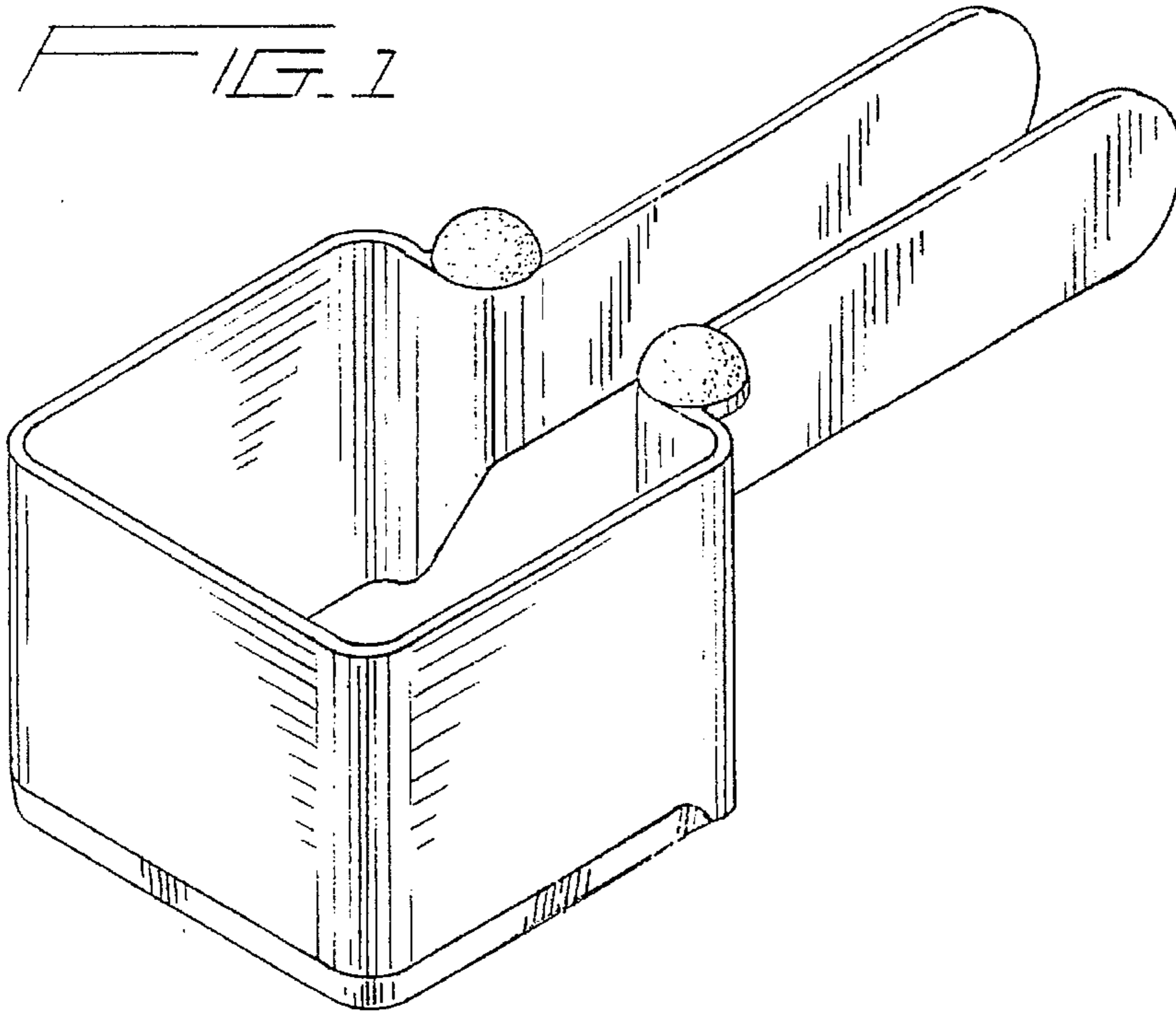


FIG. 2

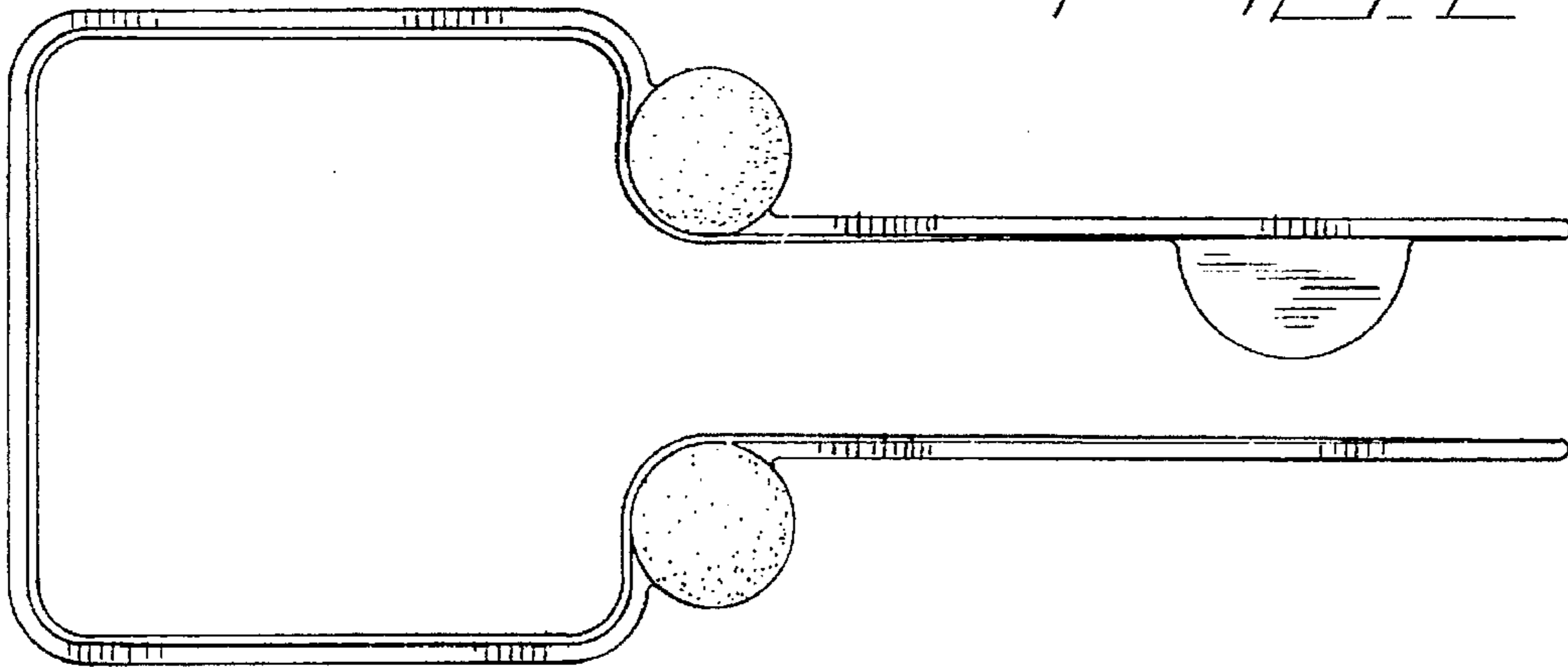
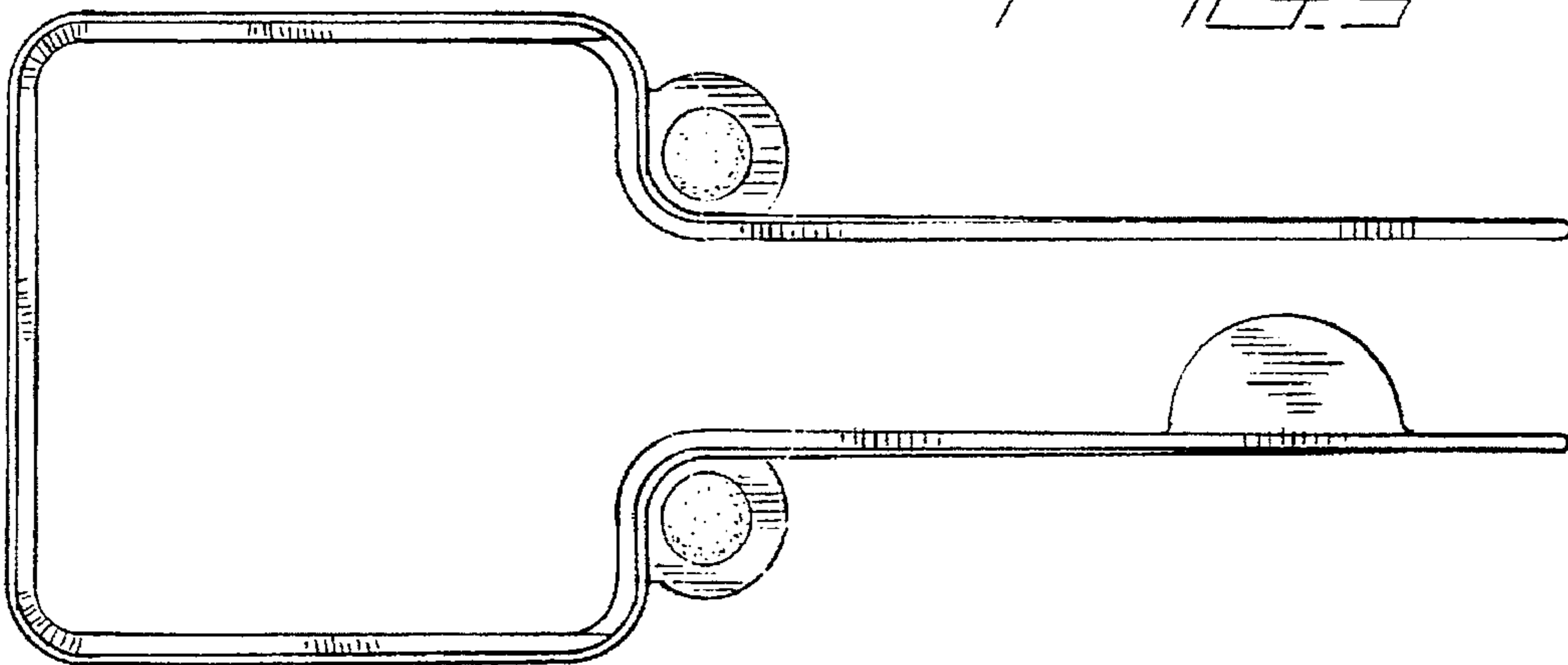


FIG. 3



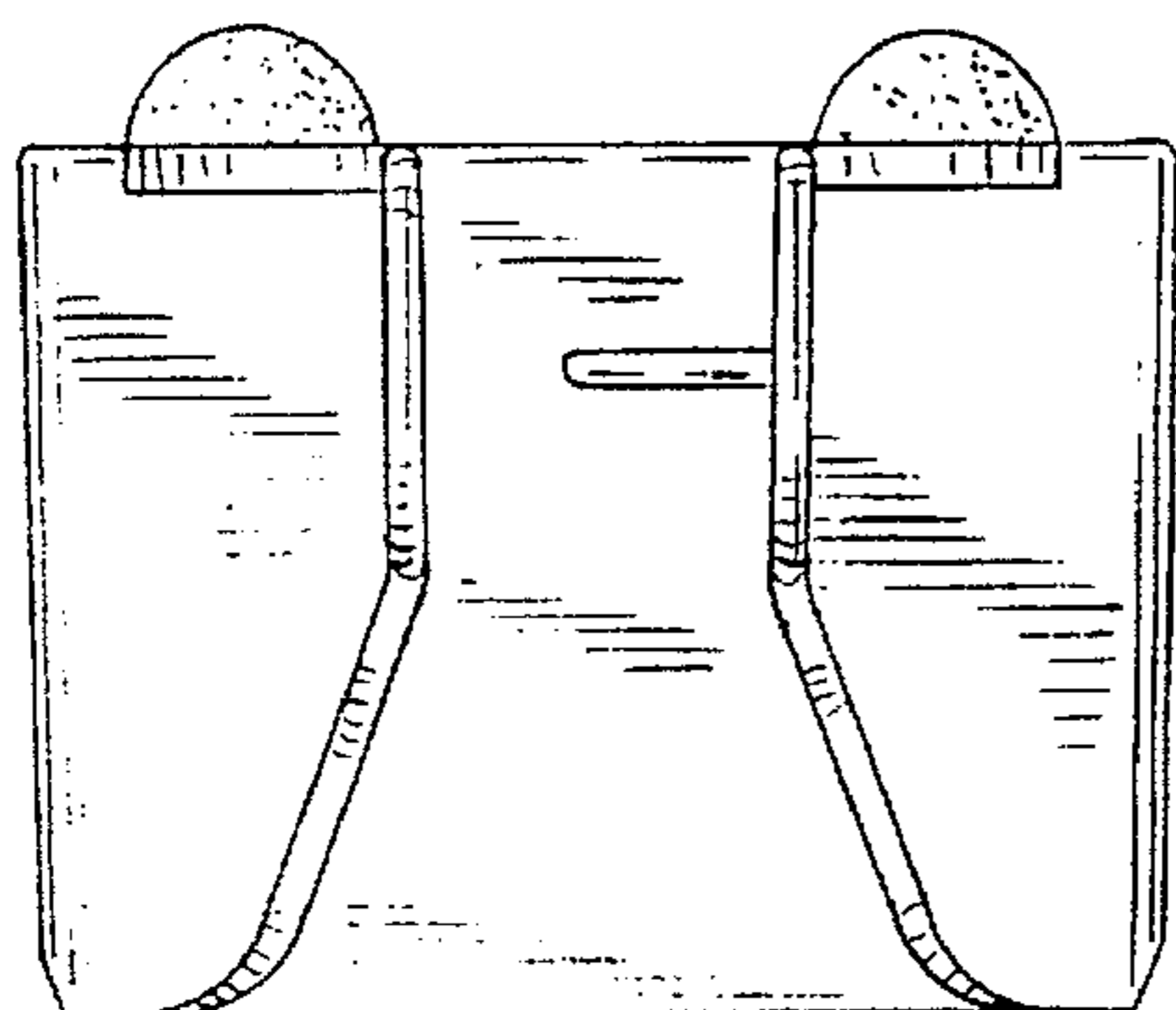


FIG. 4

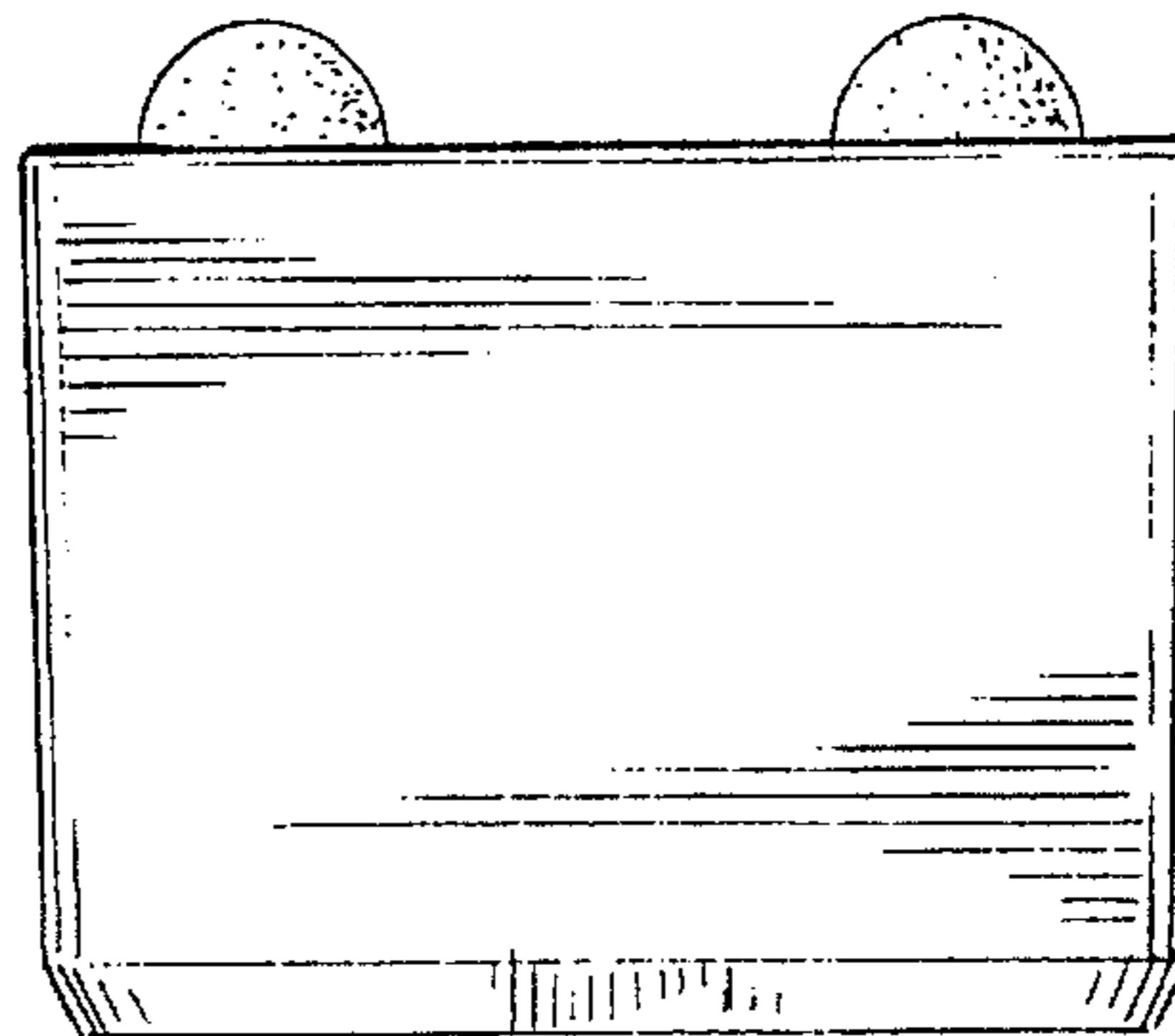


FIG. 5

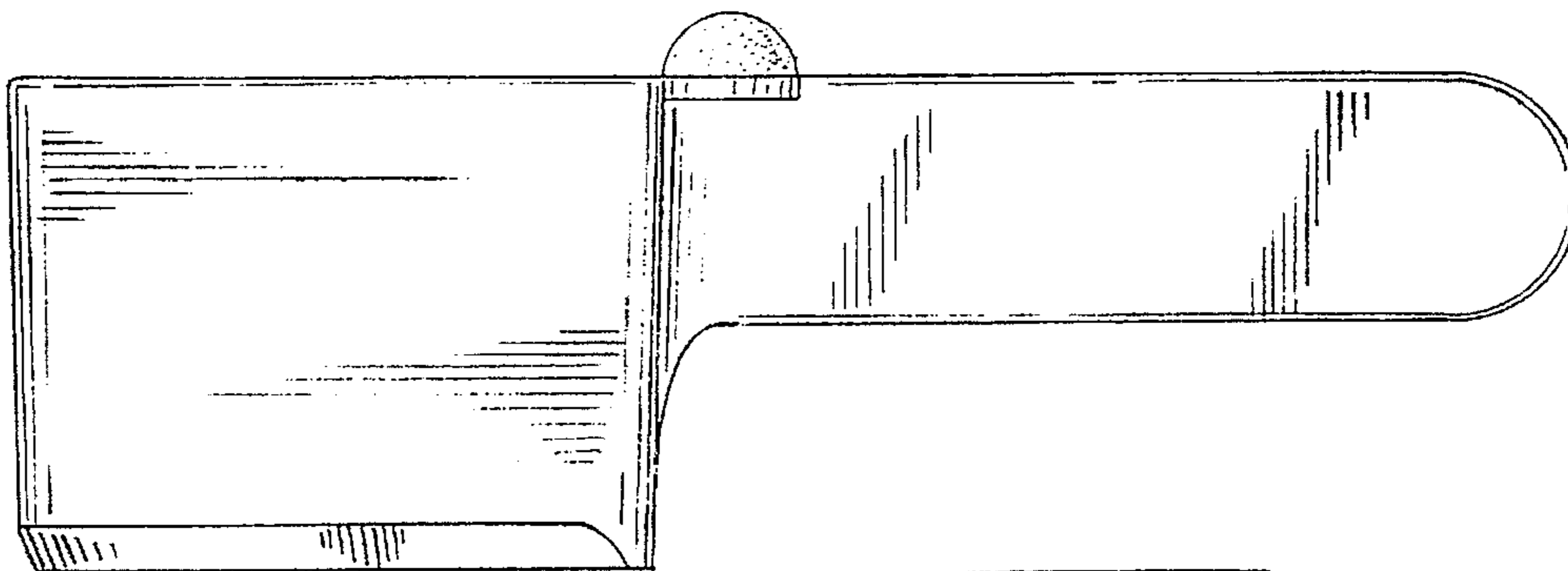


FIG. 6

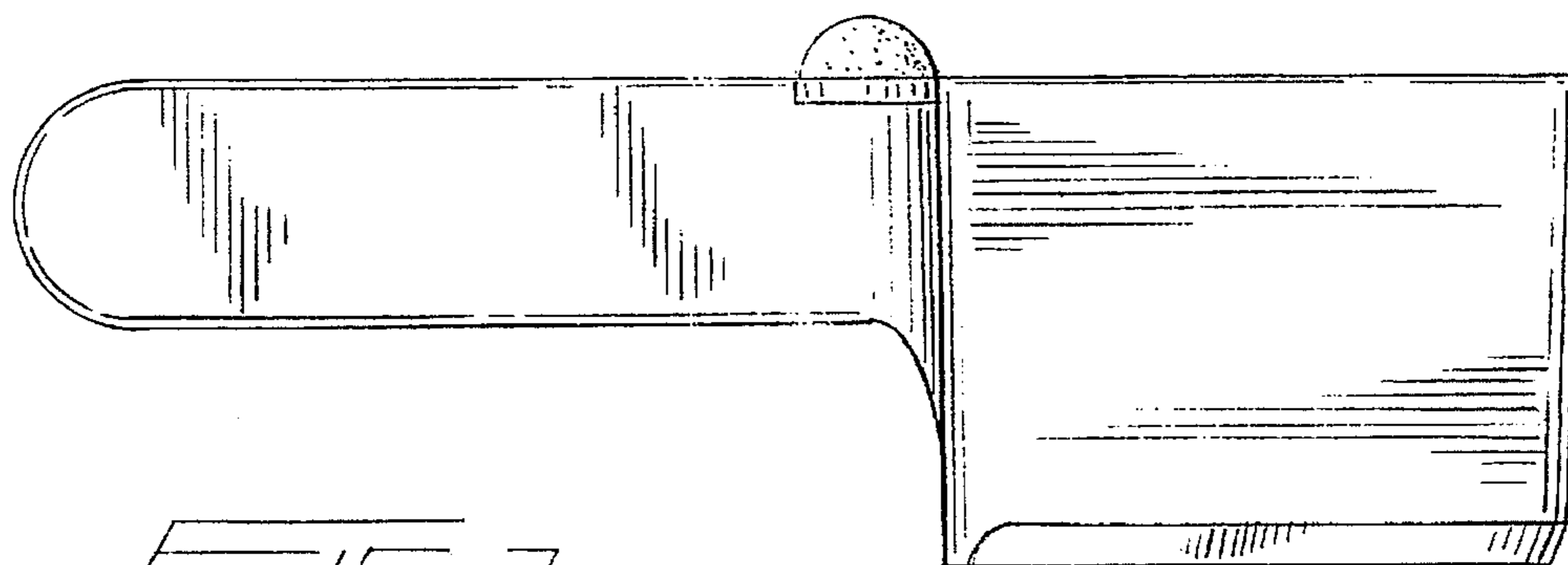


FIG. 7