



US00D381243S

United States Patent [19]
Goto et al.

[11] **Patent Number: Des. 381,243**
[45] **Date of Patent: **Jul. 22, 1997**

[54] **CAP FOR A DRINK CONTAINER**

[75] Inventors: **Toru Goto; Takeshi Kuwana; Masashi Yamada; Takashi Kato**, all of Tokyo, Japan

[73] Assignee: **Nippon Sanso Corporation**, Tokyo, Japan

[**] Term: **14 Years**

[21] Appl. No.: **52,429**

[22] Filed: **Mar. 29, 1996**

[30] **Foreign Application Priority Data**

Jan. 8, 1996 [JP] Japan 8-83

[51] **LOC (6) Cl.** **07-99**

[52] **U.S. Cl.** **D7/392.1; D7/392; D9/440; D9/449**

[58] **Field of Search** **D7/391, 92, 392.1; D9/435, 436, 439, 440, 447, 449; 222/498, 505, 509, 518**

[56] **References Cited**

U.S. PATENT DOCUMENTS

D. 204,103 3/1966 Lydon D9/447

- D. 212,463 10/1968 Vanderhyde D9/452 X
- D. 288,667 3/1987 Miner D9/443
- D. 298,605 11/1988 Colgan et al. D8/382
- D. 336,430 6/1993 Maguire et al. D9/447 X
- D. 363,666 10/1995 Goto et al. D9/447 X

Primary Examiner—James Gandy
Assistant Examiner—Cathron B. Matta
Attorney, Agent, or Firm—Lowe, Price, LeBlanc & Becker

[57] **CLAIM**

The ornamental design for the cap for a drink container, as shown and described.

DESCRIPTION

FIG. 1 is a perspective view of a cap for a drink container showing our new design;
FIG. 2 is a front elevational view thereof;
FIG. 3 is a rear elevational view thereof;
FIG. 4 is a top plan view thereof;
FIG. 5 is a bottom plan view thereof;
FIG. 6 is a right side elevational view thereof;
FIG. 7 is a left side elevational view thereof; and,
FIG. 8 is a perspective view of a cap for a drink container showing a mouth in open position.

1 Claim, 2 Drawing Sheets

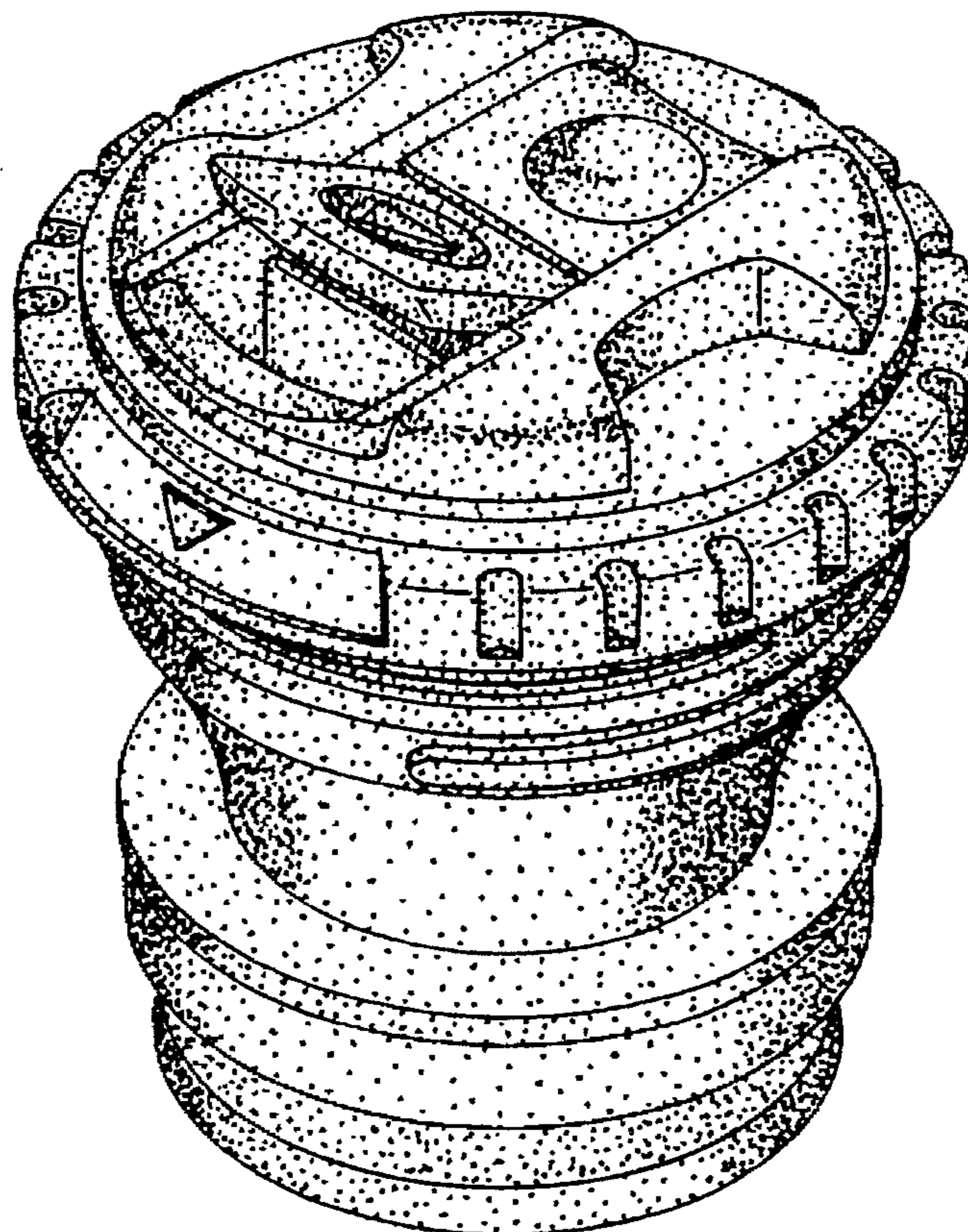


FIG. 1

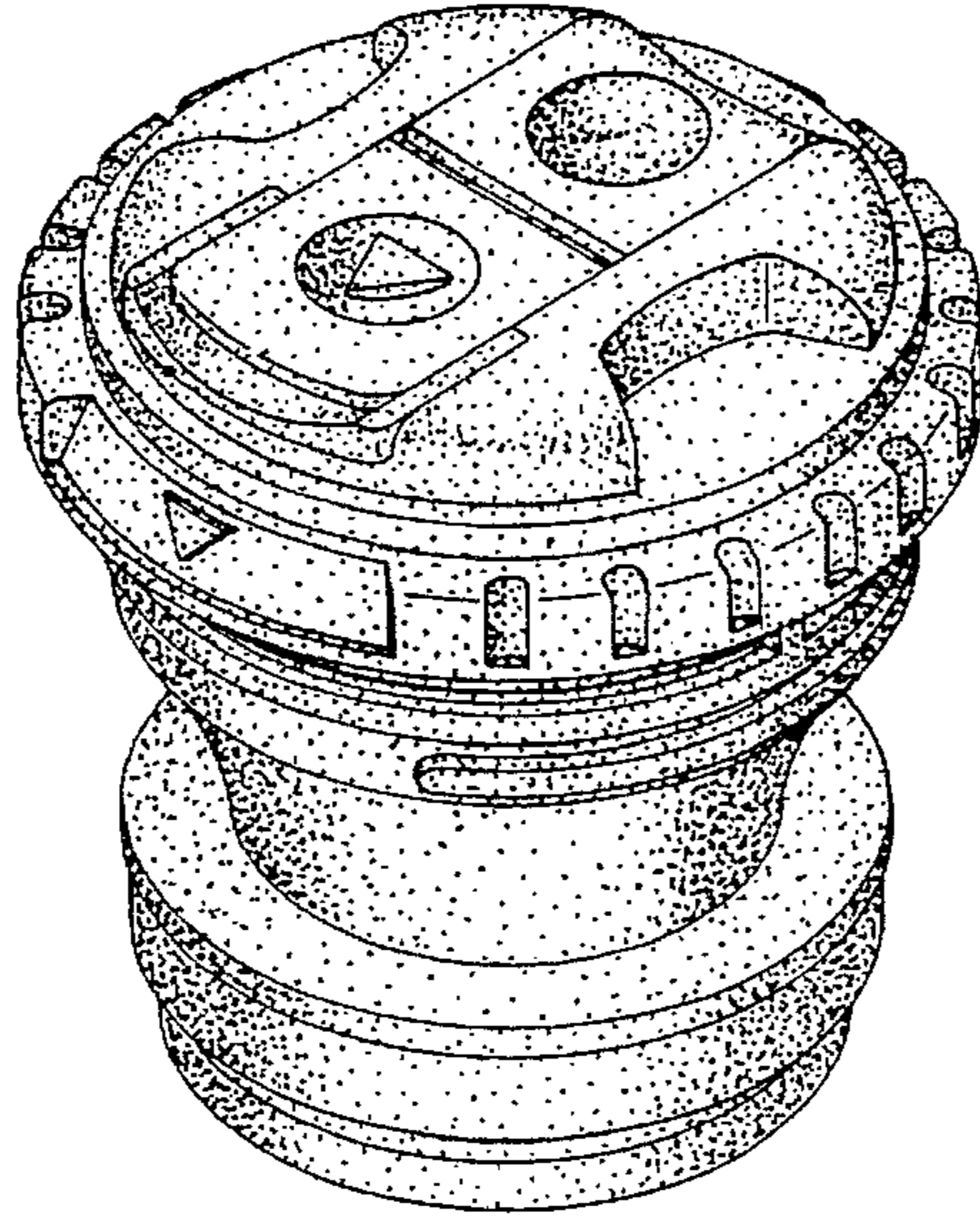


FIG. 3

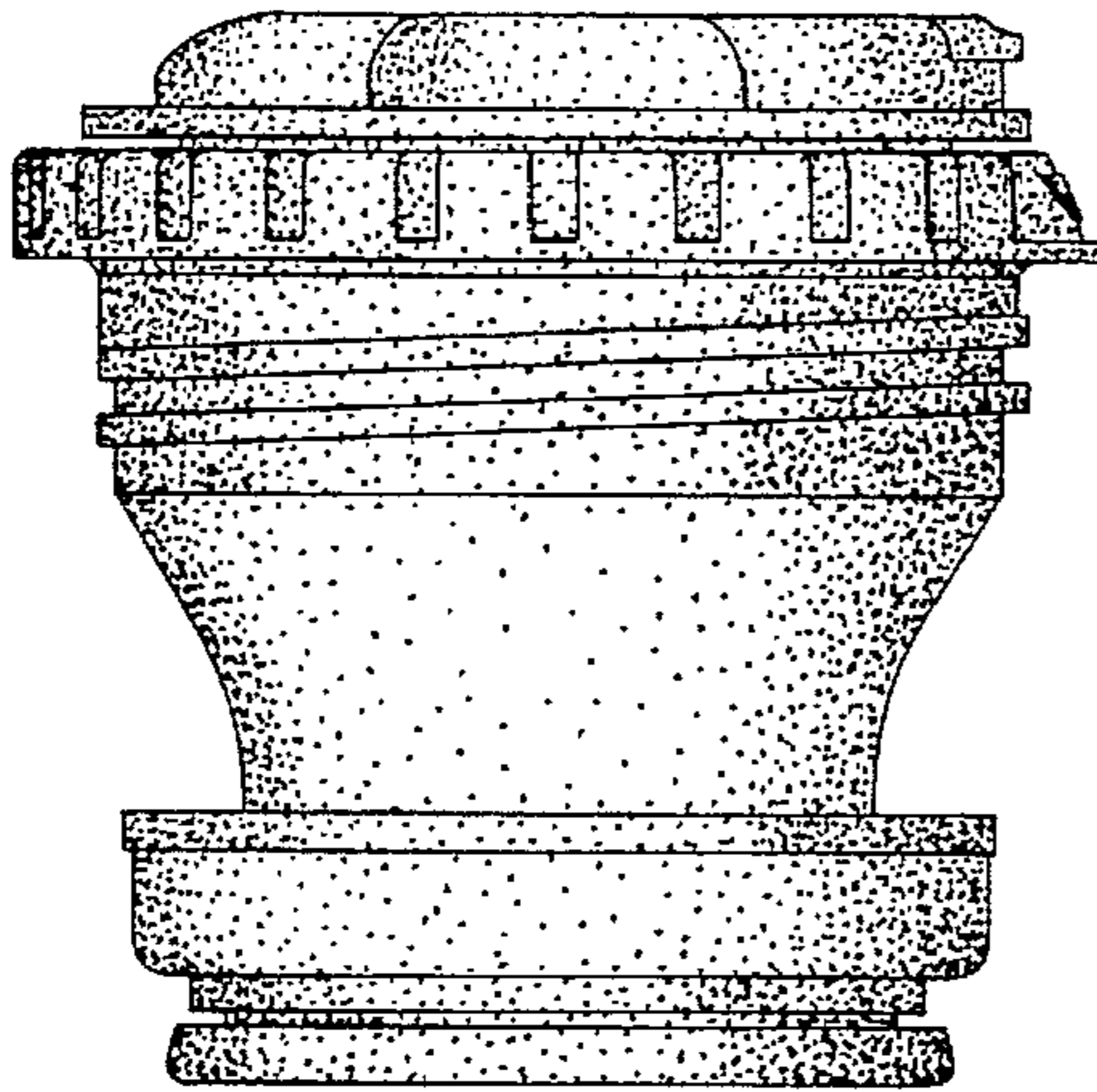


FIG. 2

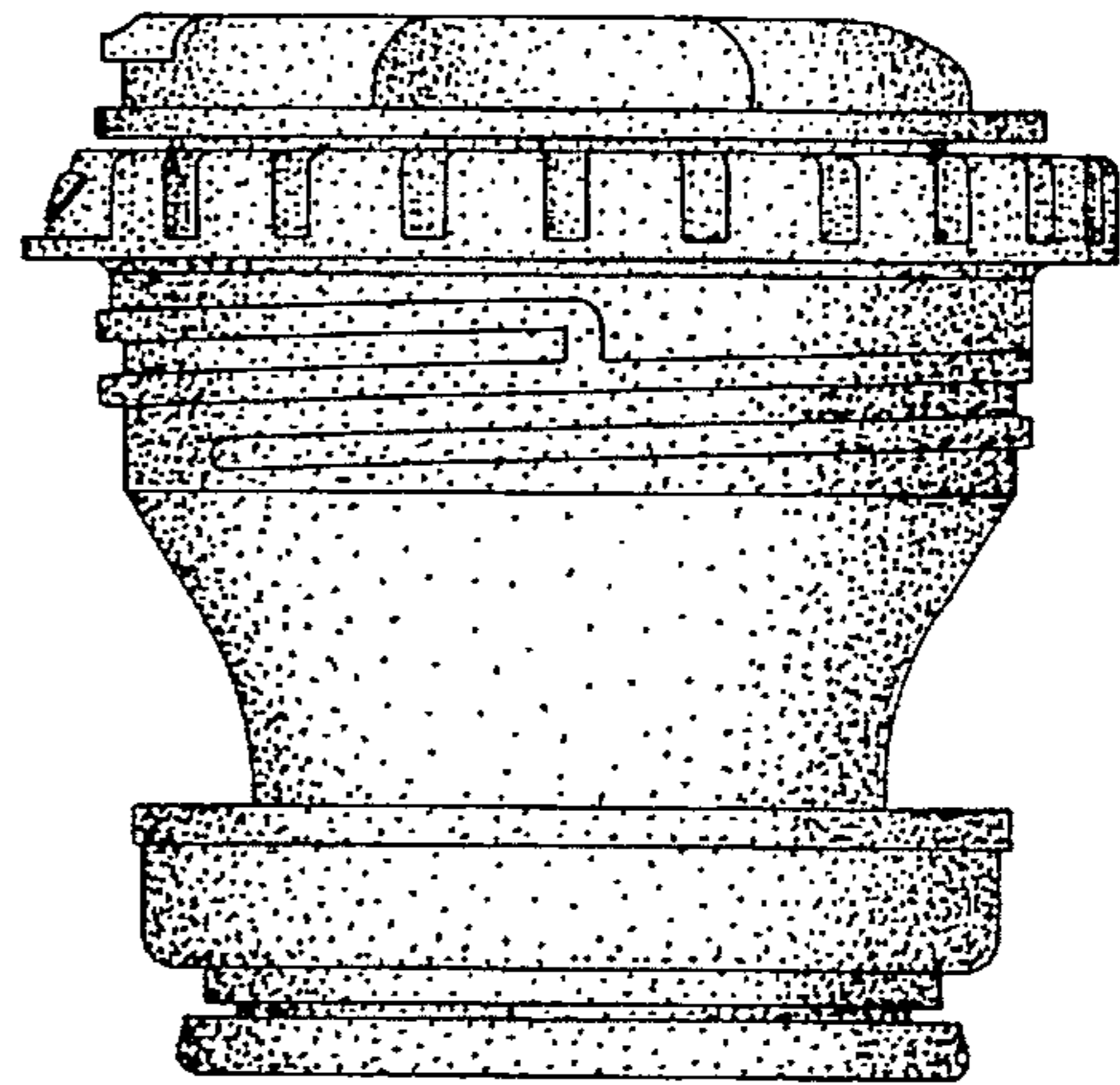


FIG. 5

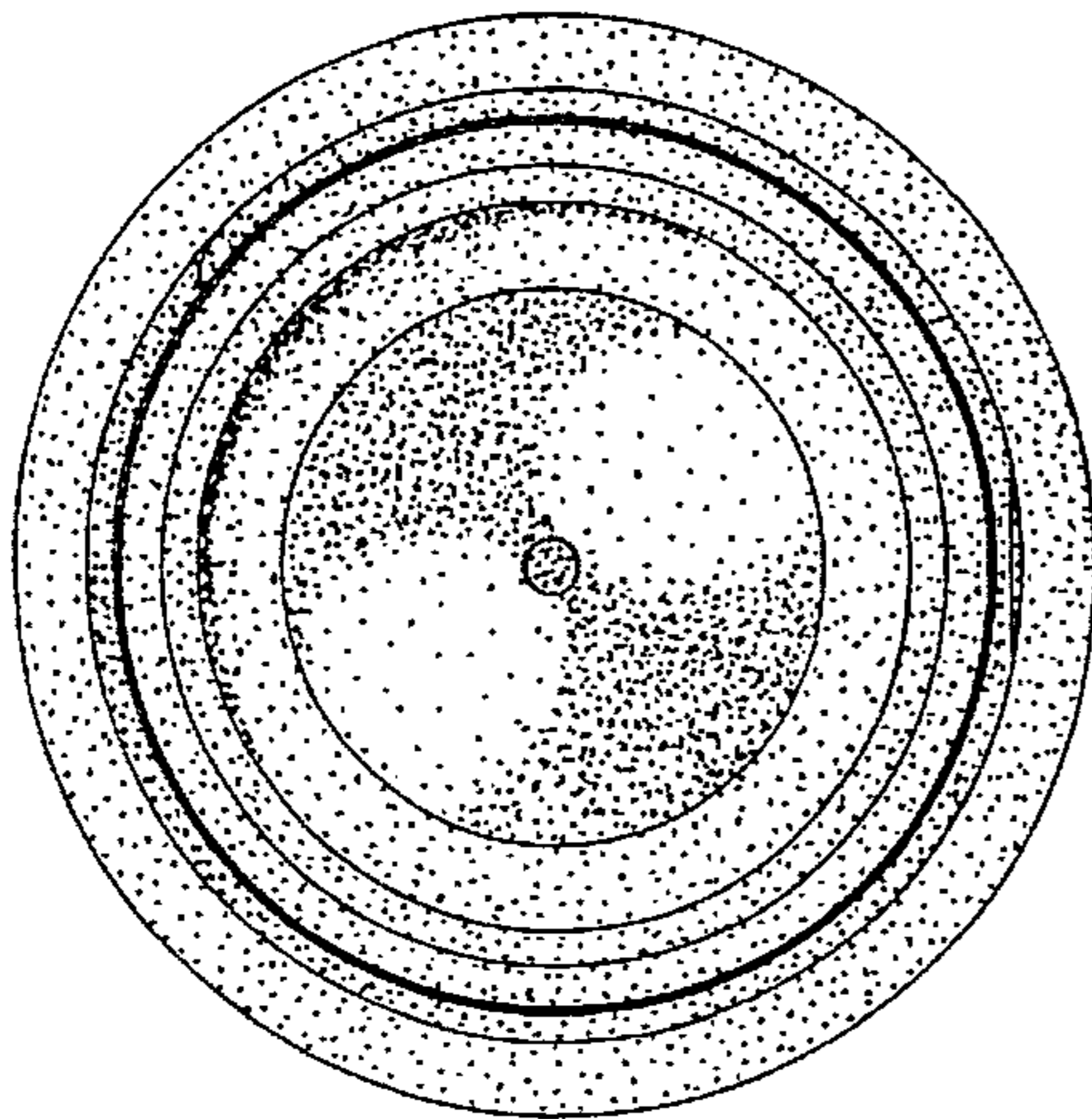


FIG. 4

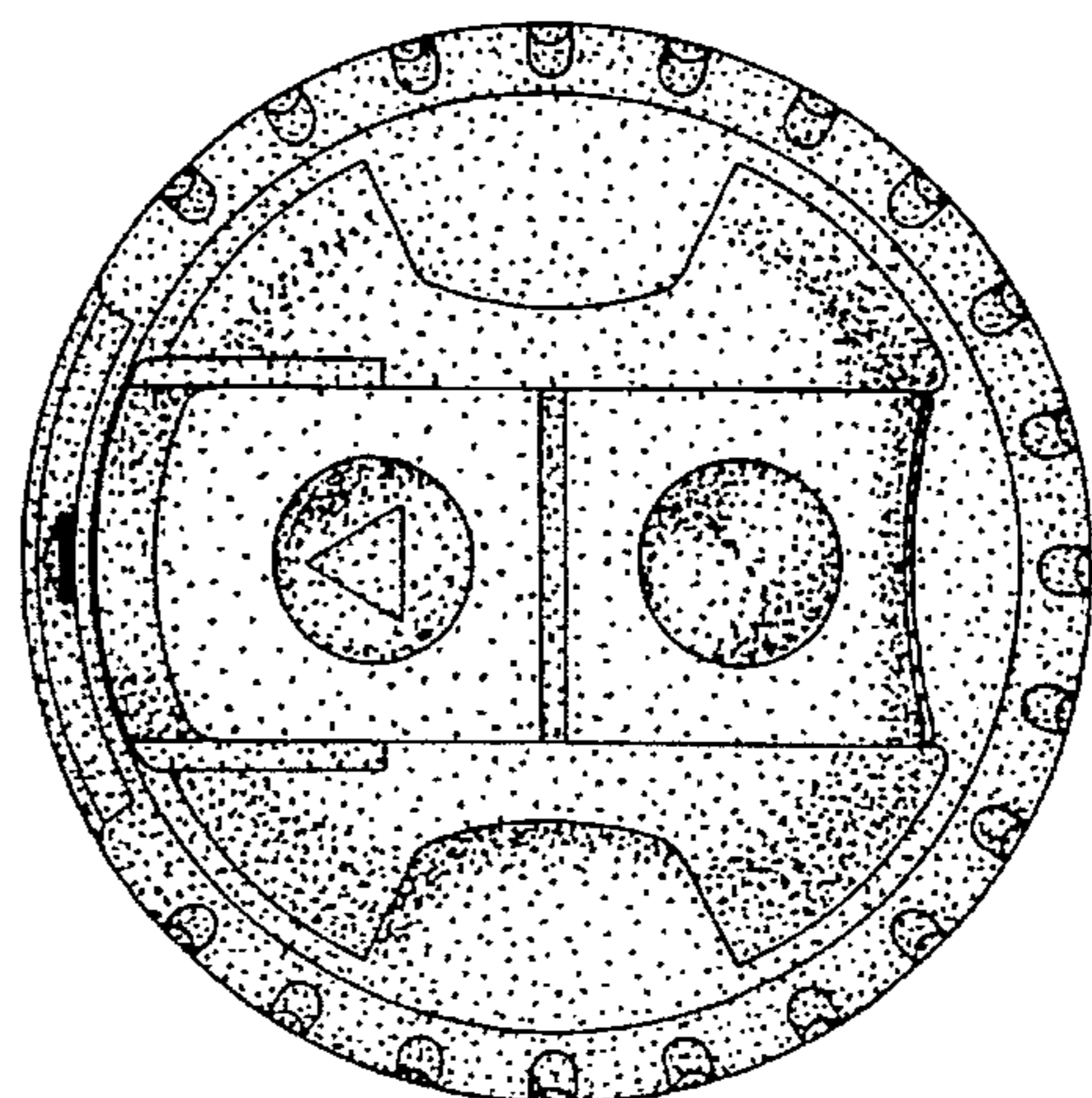


FIG. 7

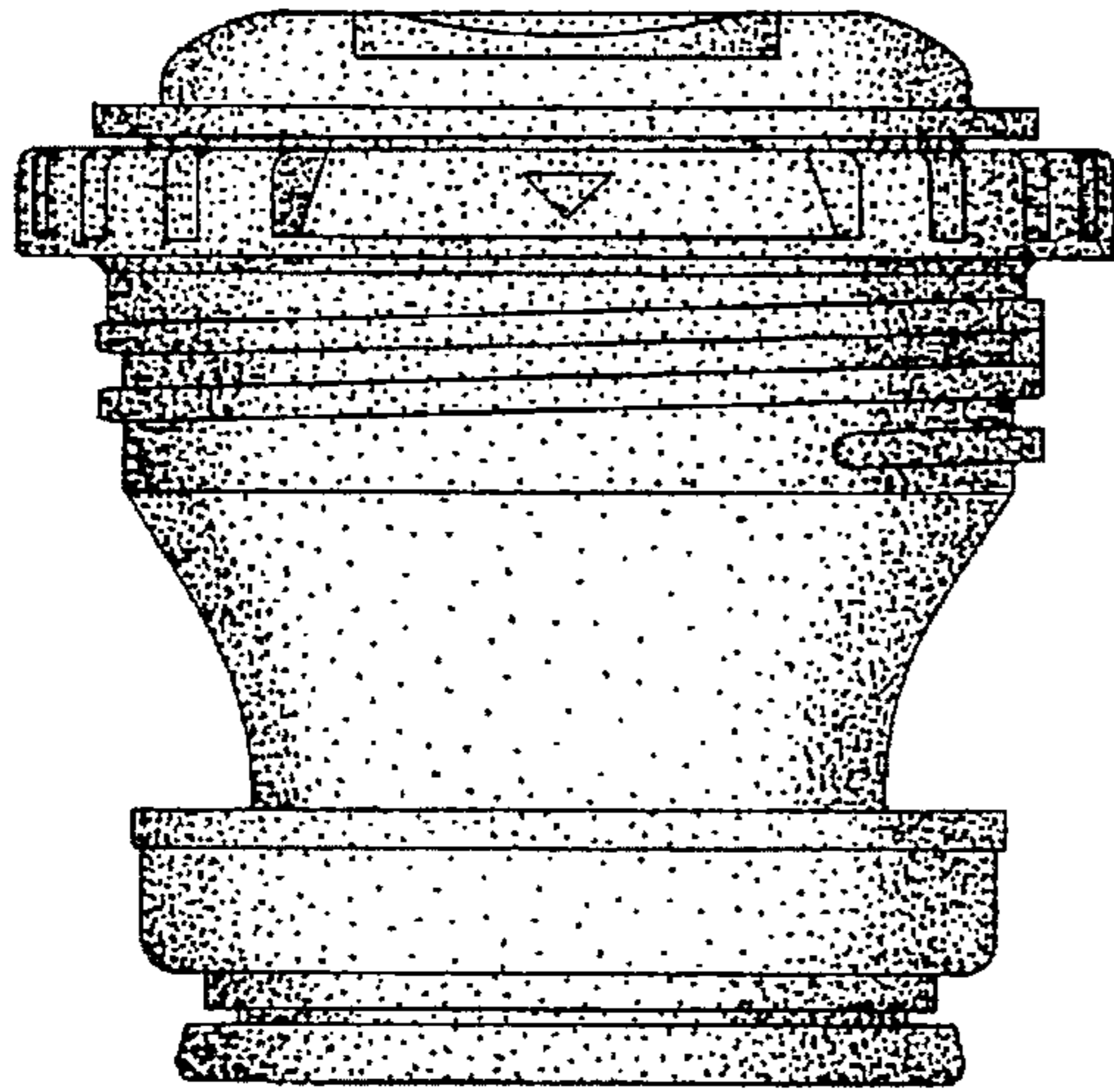


FIG. 6

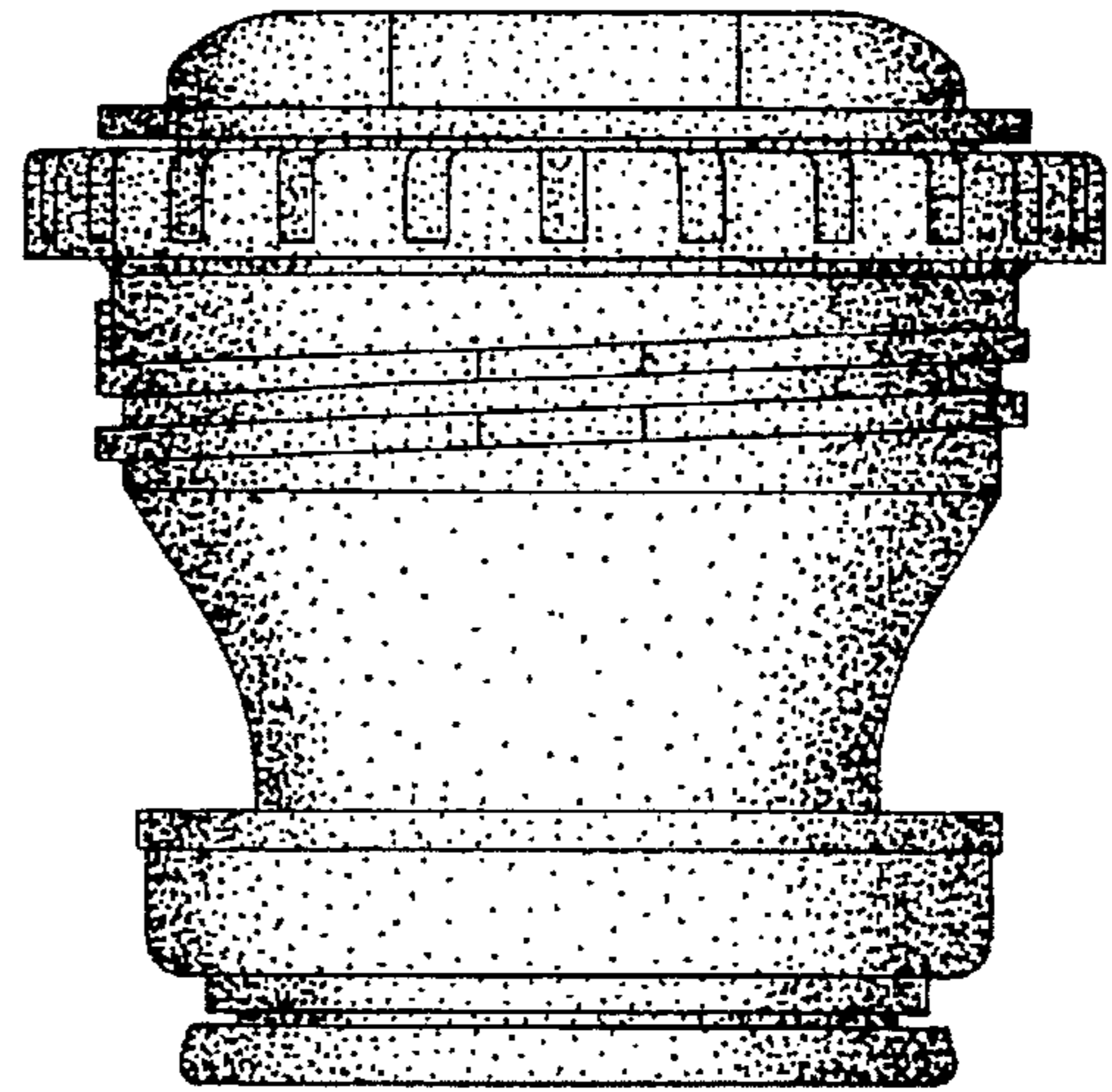


FIG. 8

