



US00D381242S

# United States Patent [19]

Rossiaud

[11] Patent Number: **Des. 381,242**

[45] Date of Patent: **\*\*Jul. 22, 1997**

[54] **ELECTRICAL COOKING CONTAINER**

[75] Inventor: **Gil-Francois Rossiaud**, Annecy Le Vieux, France

[73] Assignee: **Tefal S.A.**, Rumilly, France

[\*\*] Term: **14 Years**

[21] Appl. No.: **42,746**

[22] Filed: **Aug. 16, 1995**

[30] **Foreign Application Priority Data**

Feb. 16, 1995 [FR] France ..... 95 0957

[51] LOC (6) Cl. .... **07-02**

[52] U.S. Cl. .... **D7/360; D7/354**

[58] Field of Search ..... D7/323, 337, 354, D7/356, 360; 99/331, 413, 415, 445, 446; 219/401, 441

[56] **References Cited**

**U.S. PATENT DOCUMENTS**

D. 247,946 5/1978 Painter et al. .... D7/360

D. 248,079 6/1978 Painter et al. .... D7/360  
D. 250,626 12/1978 Scott ..... D7/360  
D. 263,363 3/1982 Williams et al. .... D7/355  
D. 279,956 8/1985 Eyck et al. .... D7/354  
D. 293,192 12/1987 Baggioli ..... D7/354

*Primary Examiner*—Nelson C. Holtje  
*Assistant Examiner*—Caron D. Veynar  
*Attorney, Agent, or Firm*—Young & Thompson

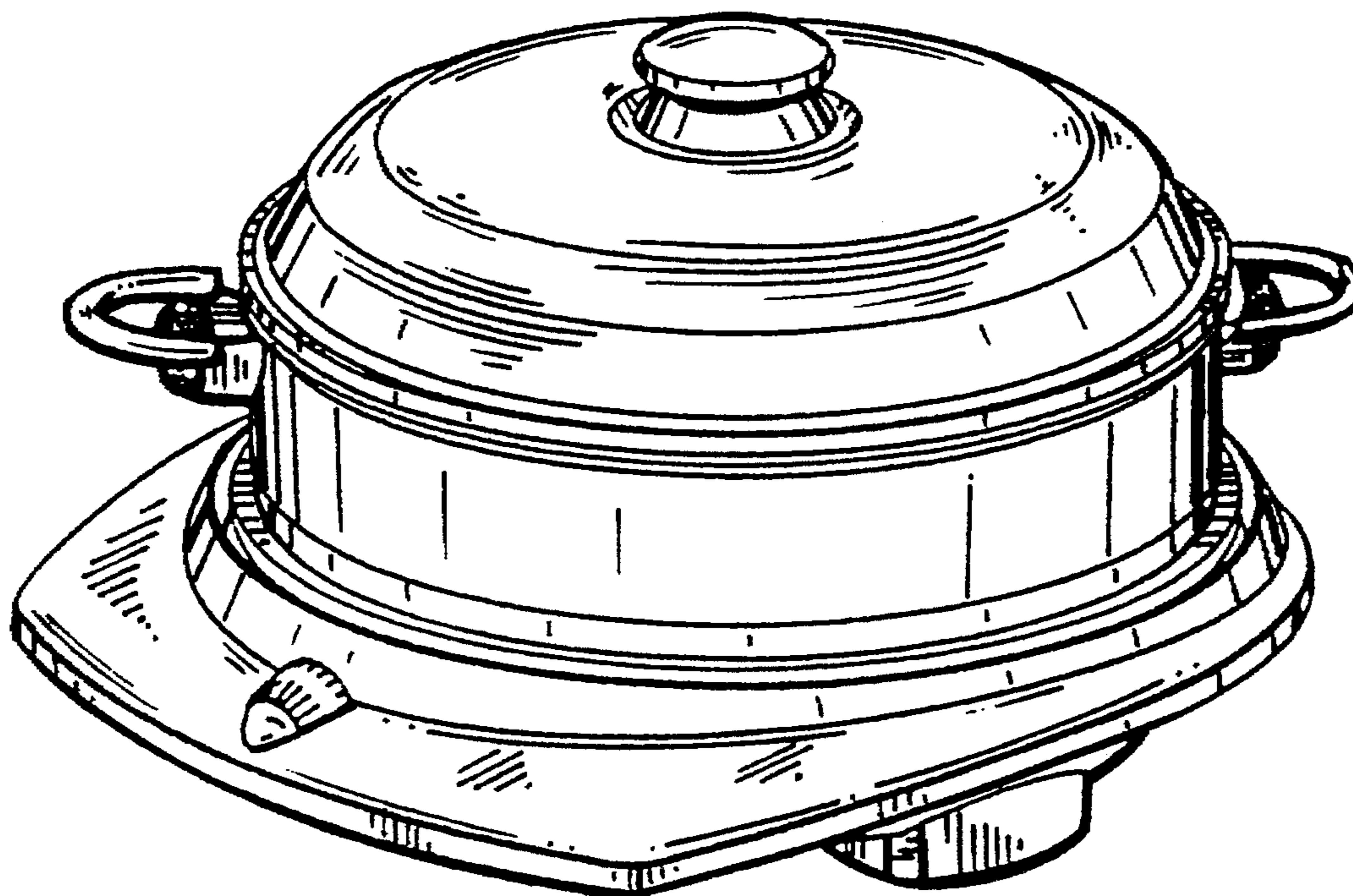
[57] **CLAIM**

The ornamental design for an electrical cooking container, as shown and described.

**DESCRIPTION**

FIG. 1 is a top, front and side perspective view of an electrical cooking container, showing my new design; FIG. 2 is a front elevational view thereof; FIG. 3 is a side elevational view thereof from the left of FIG. 2, the side elevational view from the right of FIG. 2 being the mirror image thereof; FIG. 4 is a rear elevational view thereof; FIG. 5 is a top plan view thereof; and, FIG. 6 is a bottom plan view thereof.

**1 Claim, 3 Drawing Sheets**



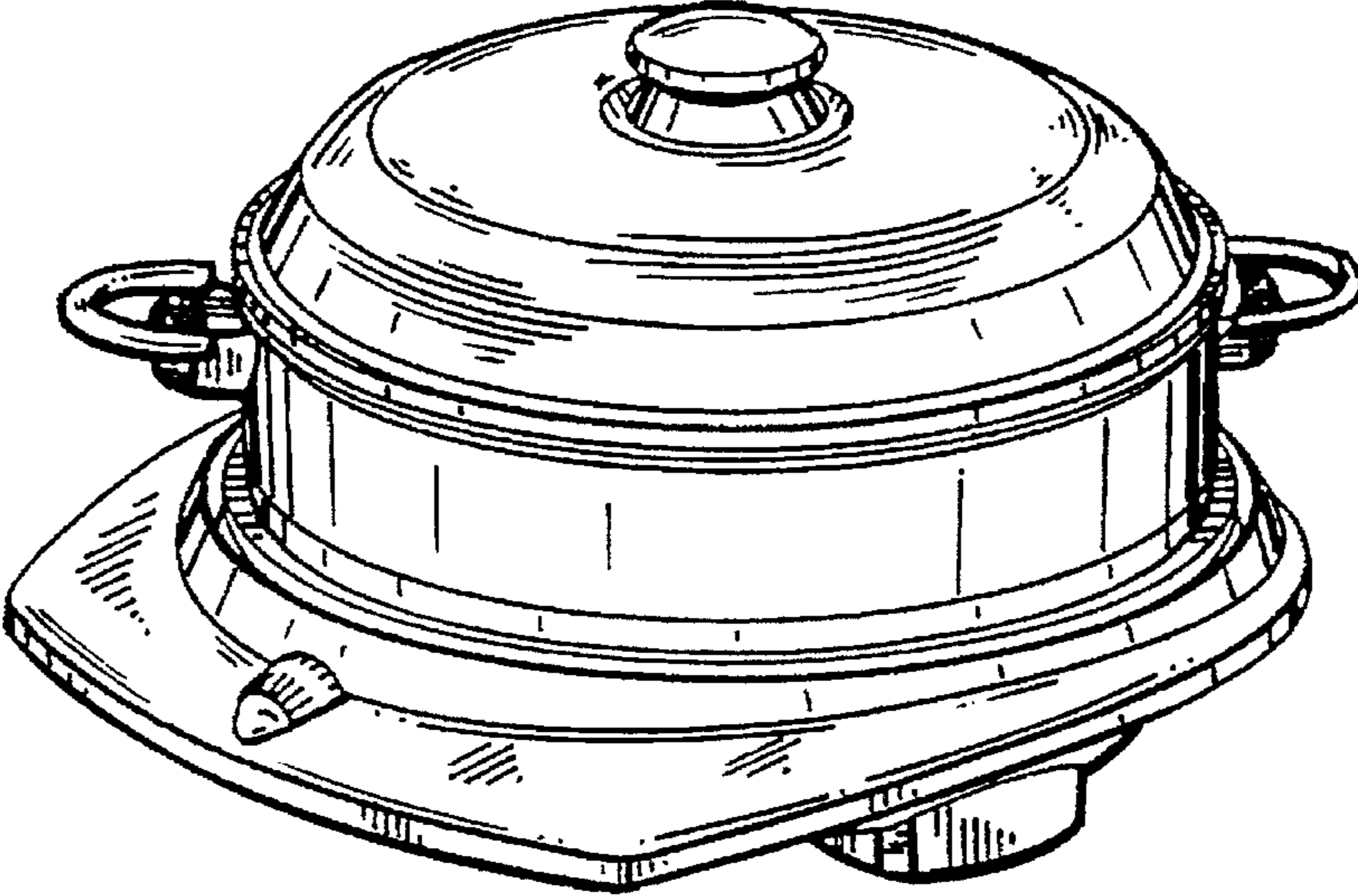


FIG. 1

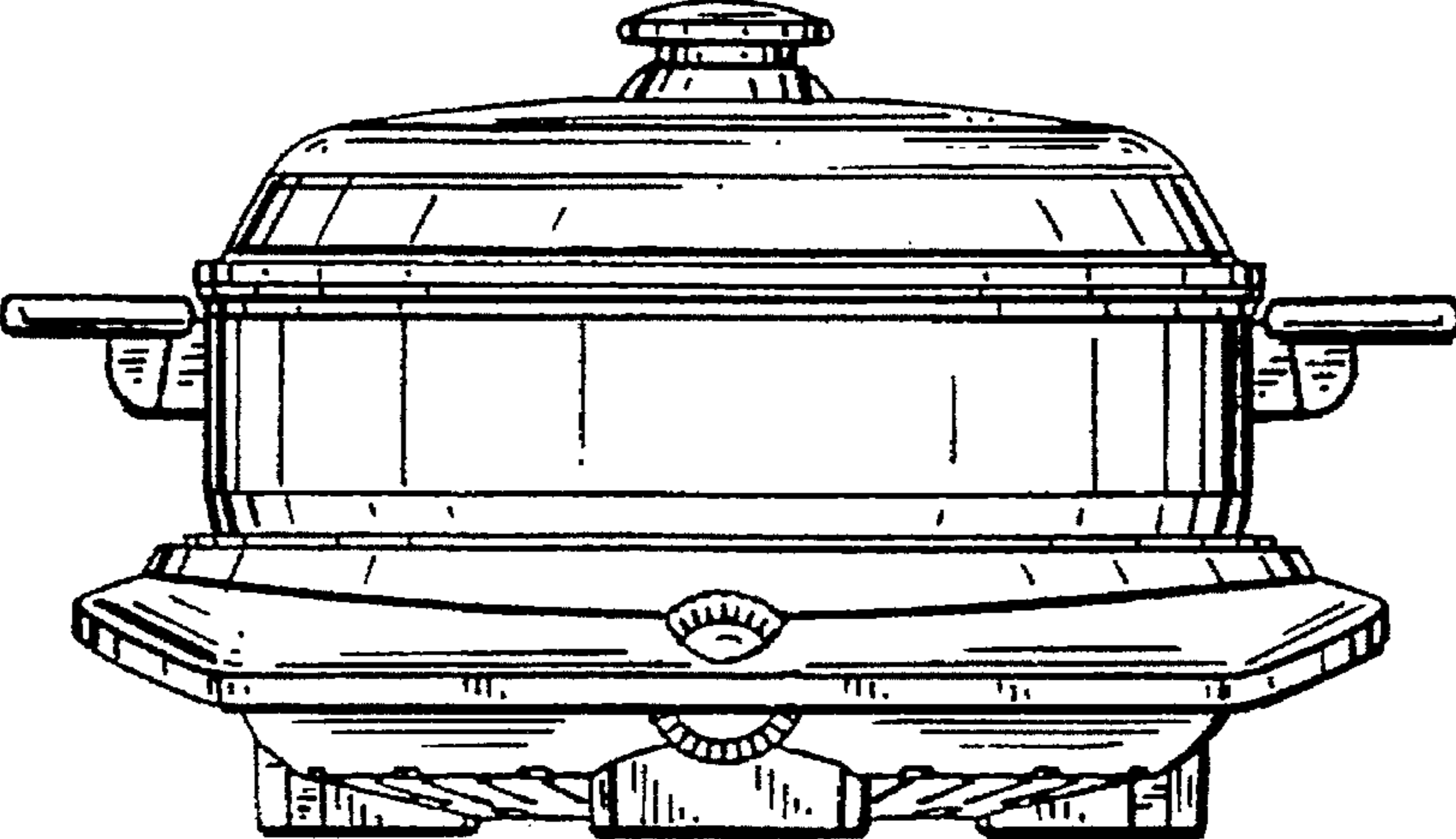


FIG. 2

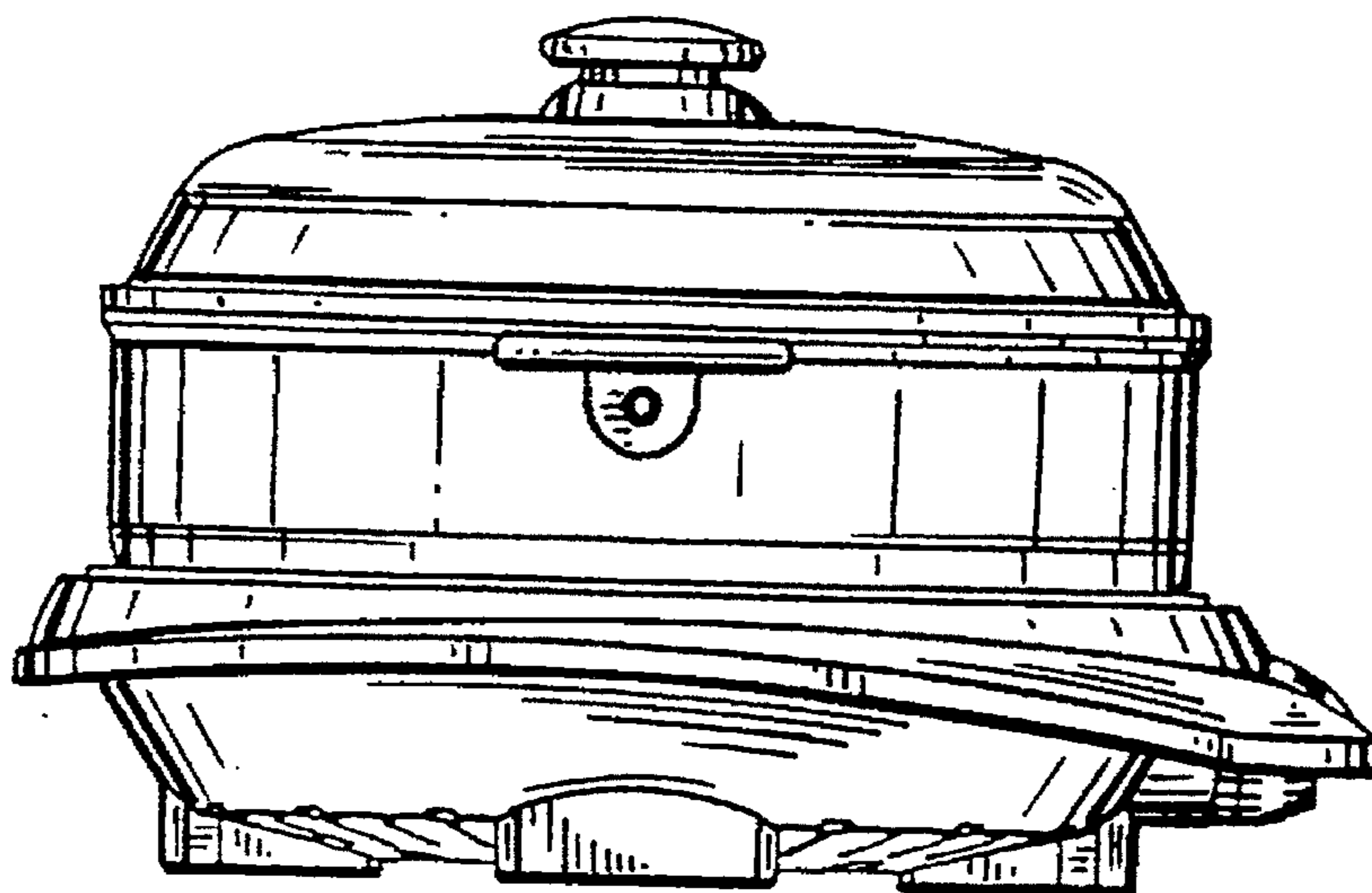


FIG. 3

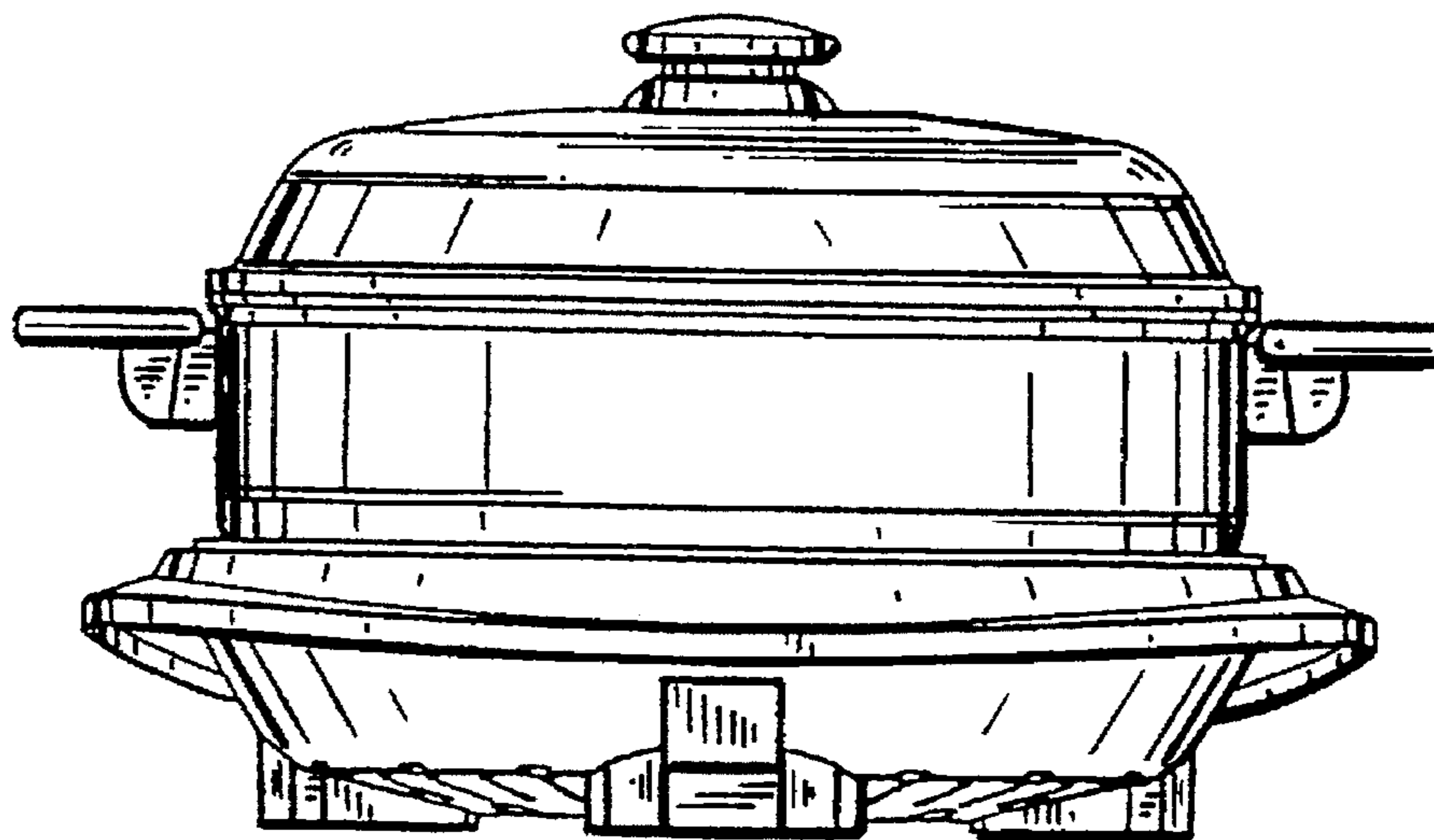


FIG. 4



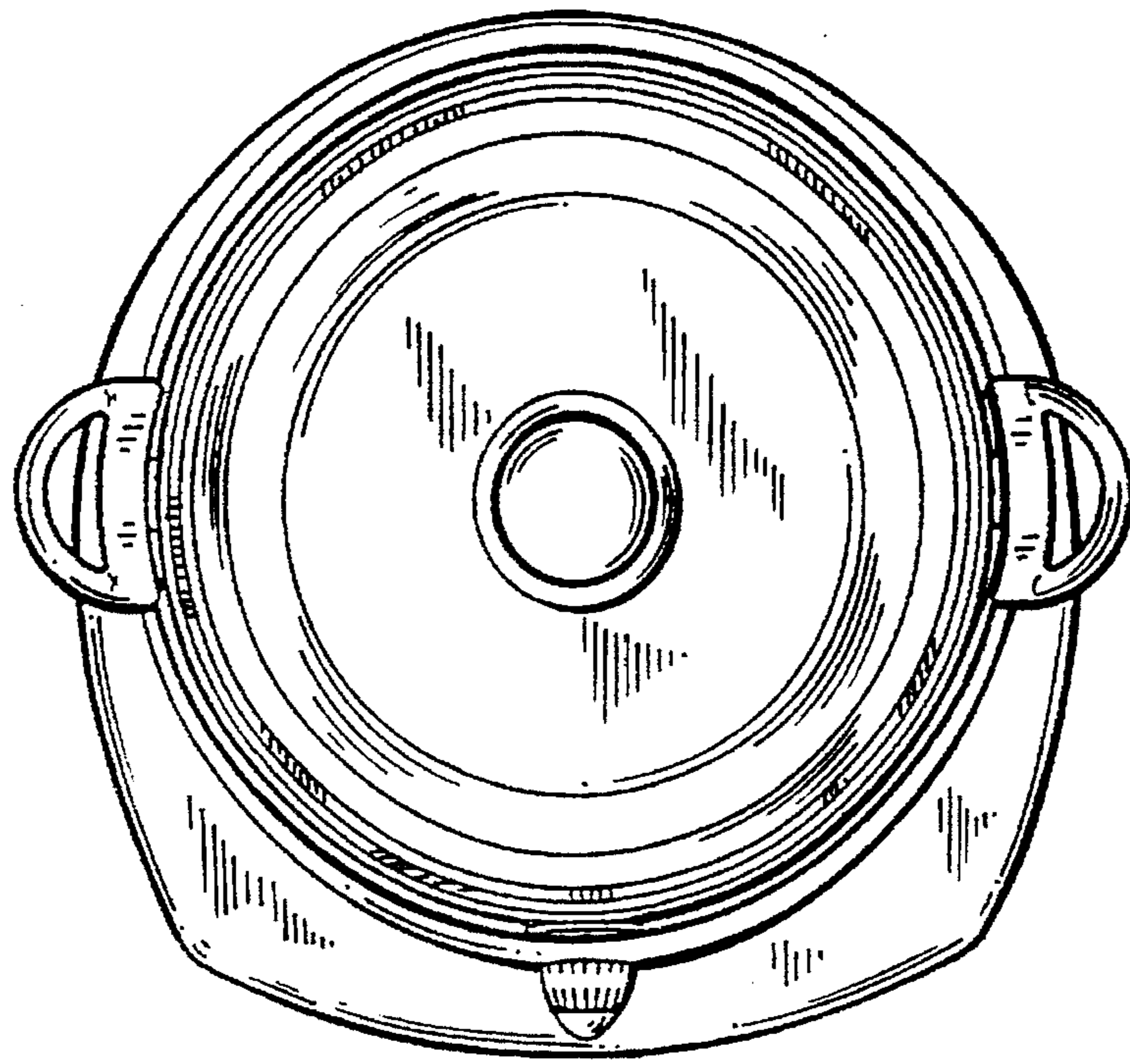


FIG. 5

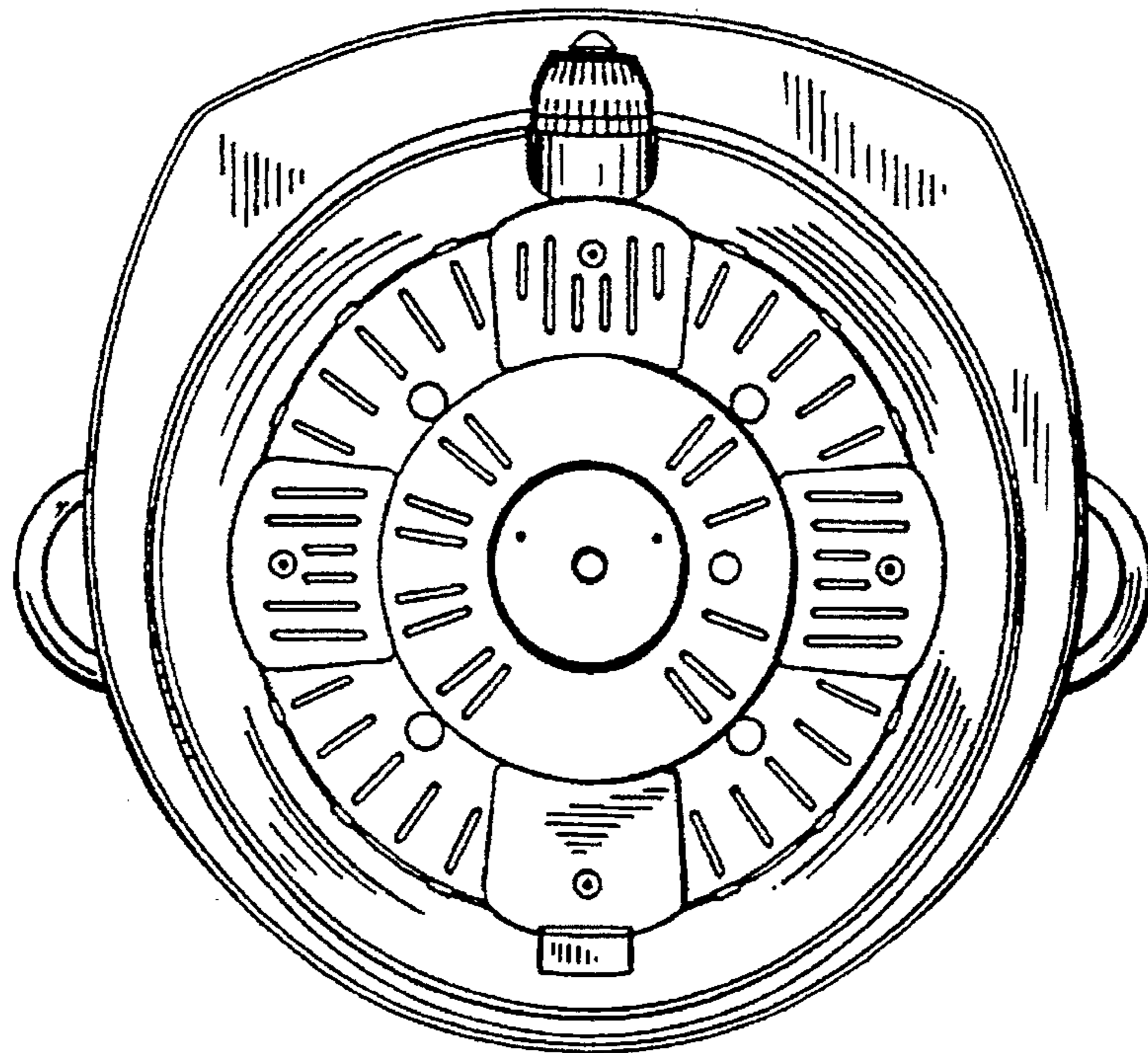


FIG. 6