



US00D381240S

# United States Patent [19]

Home

[11] Patent Number: **Des. 381,240**

[45] Date of Patent: **\*\*Jul. 22, 1997**

## [54] OUTDOOR GRILL

[76] Inventor: **William Home**, 9th Fl/3, No. 374, Sec. 2, Pa-Teh Road, Taipei City, Taiwan

[\*\*] Term: **14 Years**

[21] Appl. No.: **45,818**

[22] Filed: **Oct. 31, 1995**

[51] LOC (6) Cl. .... **07-02**

[52] U.S. Cl. .... **D7/334**

[58] Field of Search ..... D7/332-338; 126/24, 126/25 R, 25 A, 25 AA, 29-30, 9 R, 38, 19 M, 211, 275 R, 275 E

### [56] References Cited

#### U.S. PATENT DOCUMENTS

D. 327,390	6/1992	Schlosser et al.	.....	D7/334
4,635,613	1/1987	Tucker et al.	.....	D7/334
5,076,252	12/1991	Schlosser et al.	.....	D7/334

#### OTHER PUBLICATIONS

Williams-Sonoma Catalog, Apr. 1992, p. 37, "Weber Pre-former Grill".

Primary Examiner—Ruth McInroy

Attorney, Agent, or Firm—Morton J. Rosenberg; David I. Klein

### [57] CLAIM

The ornamental design for an outdoor grill, as shown and described.

### DESCRIPTION

FIG. 1 is a perspective view of an outdoor grill showing my new design;

FIG. 2 is a front side elevational view thereof;

FIG. 3 is a rear side elevational view thereof;

FIG. 4 is a left view thereof;

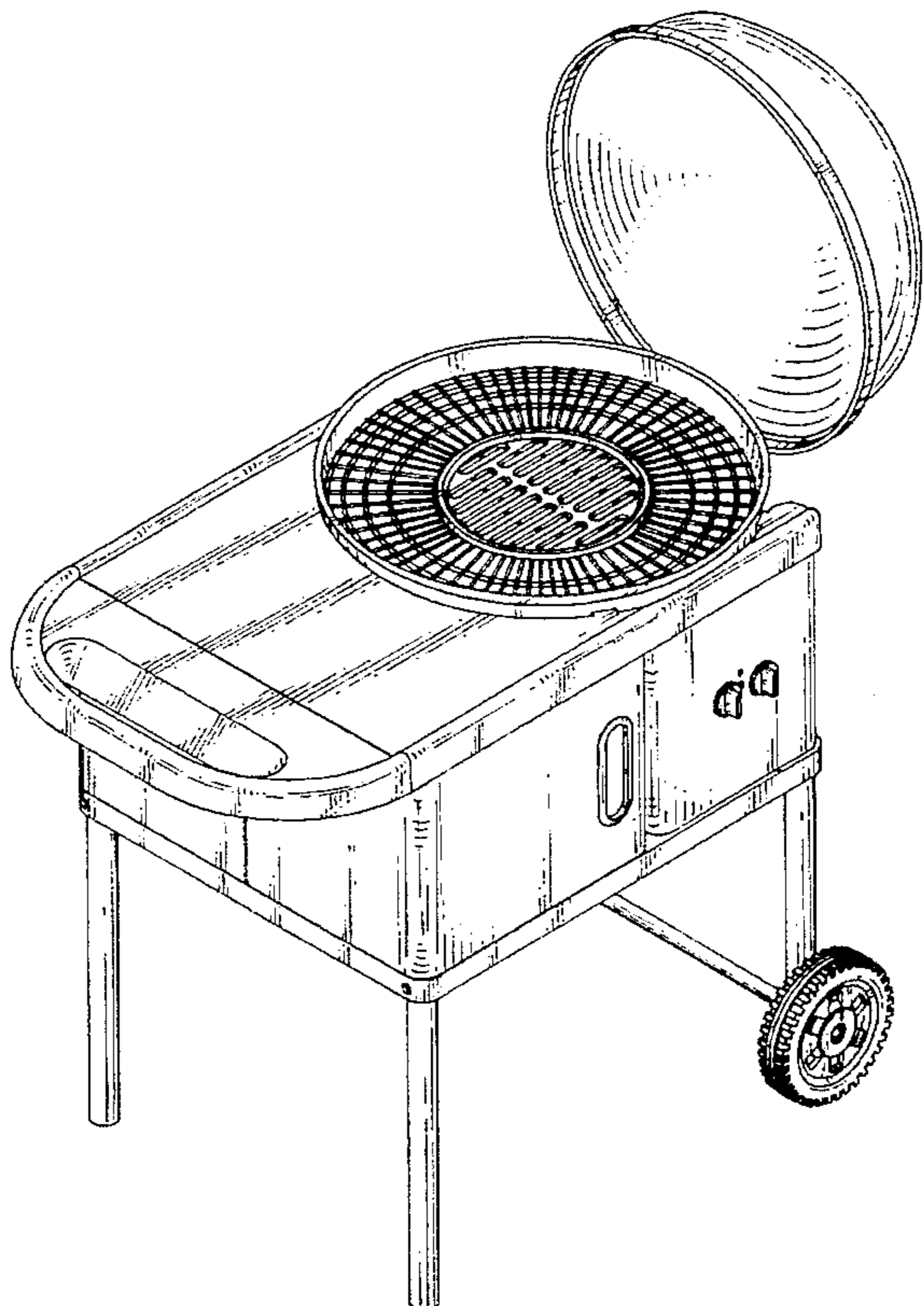
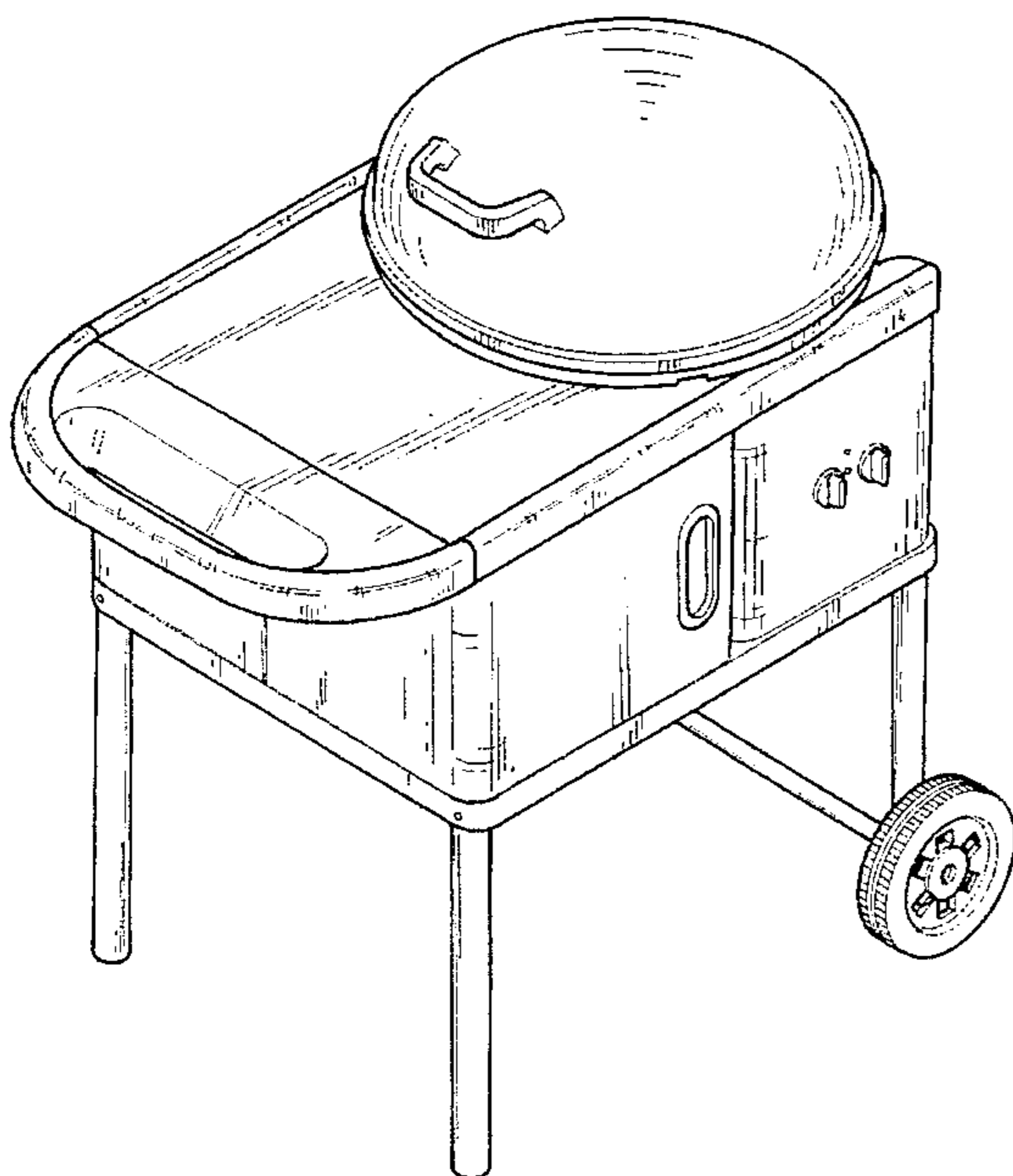
FIG. 5 is a right view thereof;

FIG. 6 is a top plan view thereof;

FIG. 7 is a bottom plan view thereof; and,

FIG. 8 is a perspective view thereof, with the lid in an open position.

1 Claim, 5 Drawing Sheets



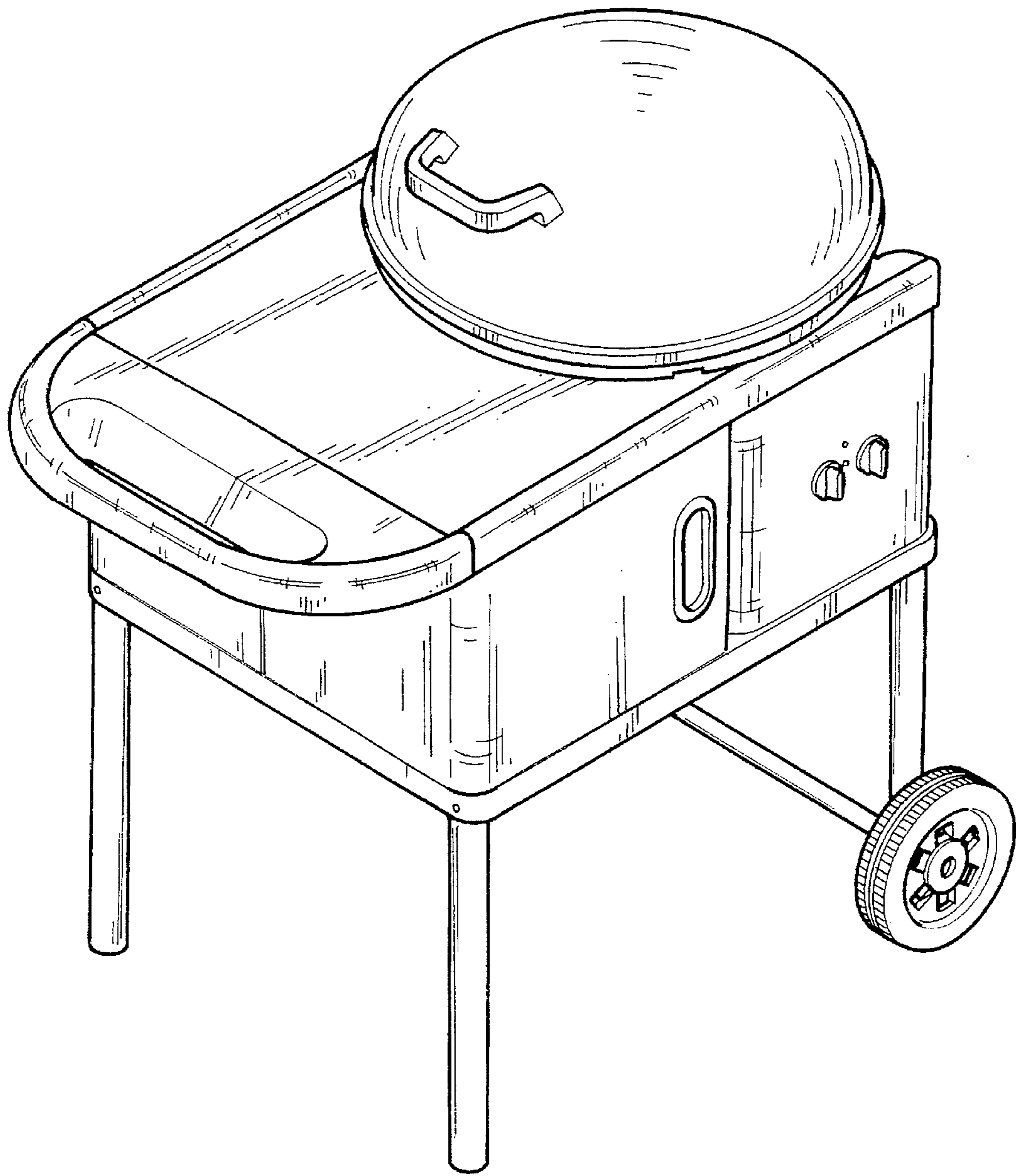


FIG. 1

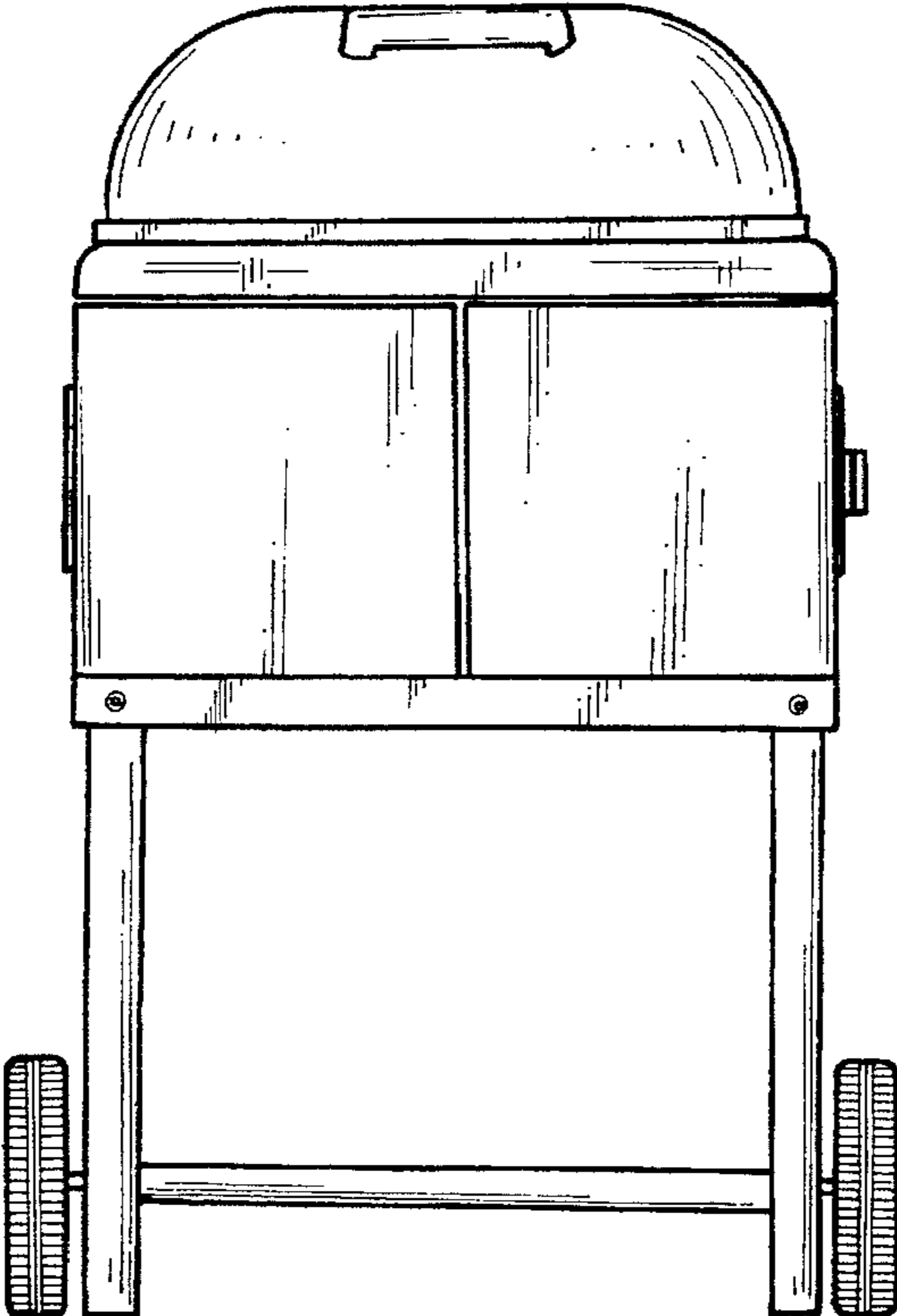


FIG. 2

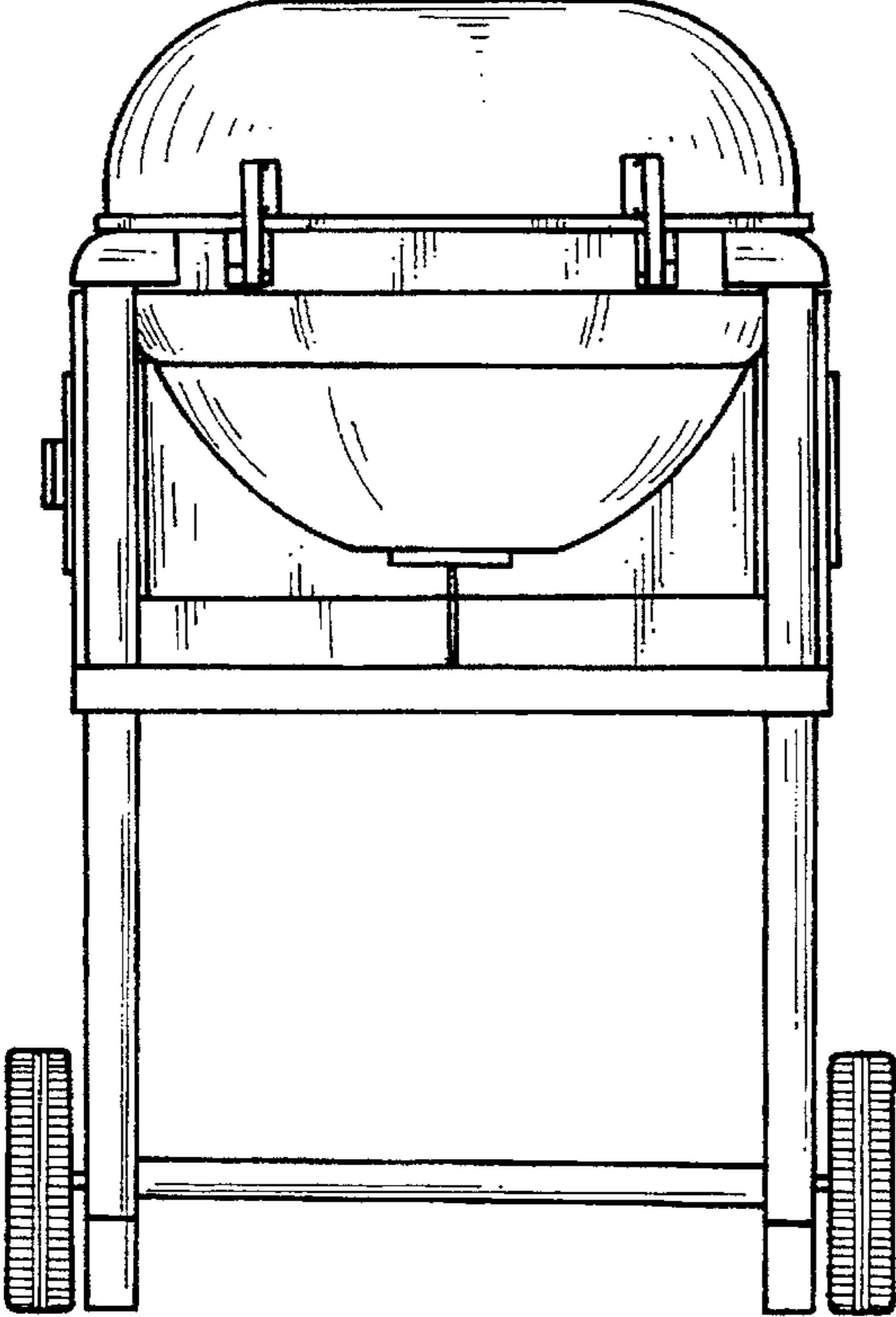


FIG. 3

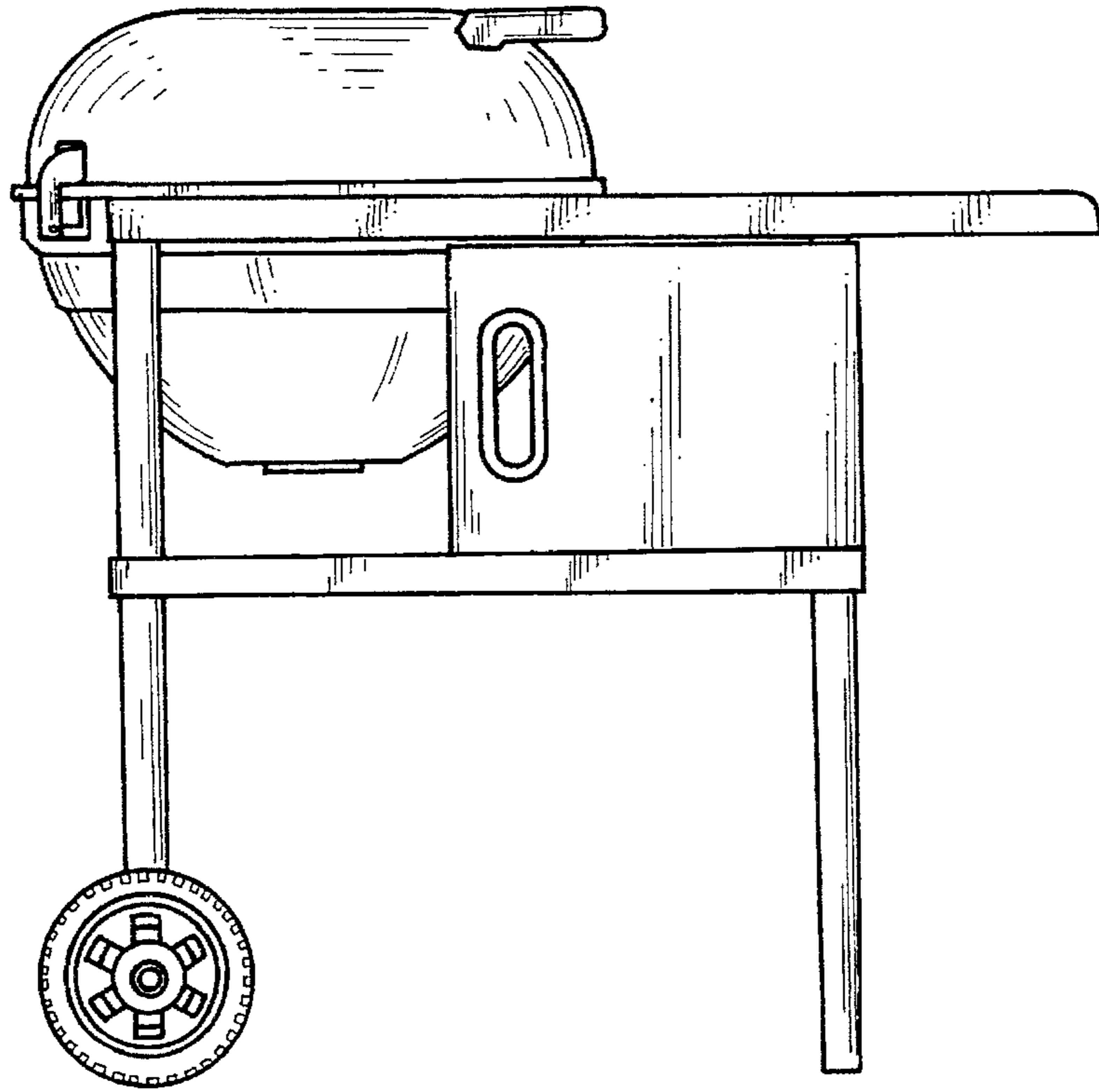


FIG. 4

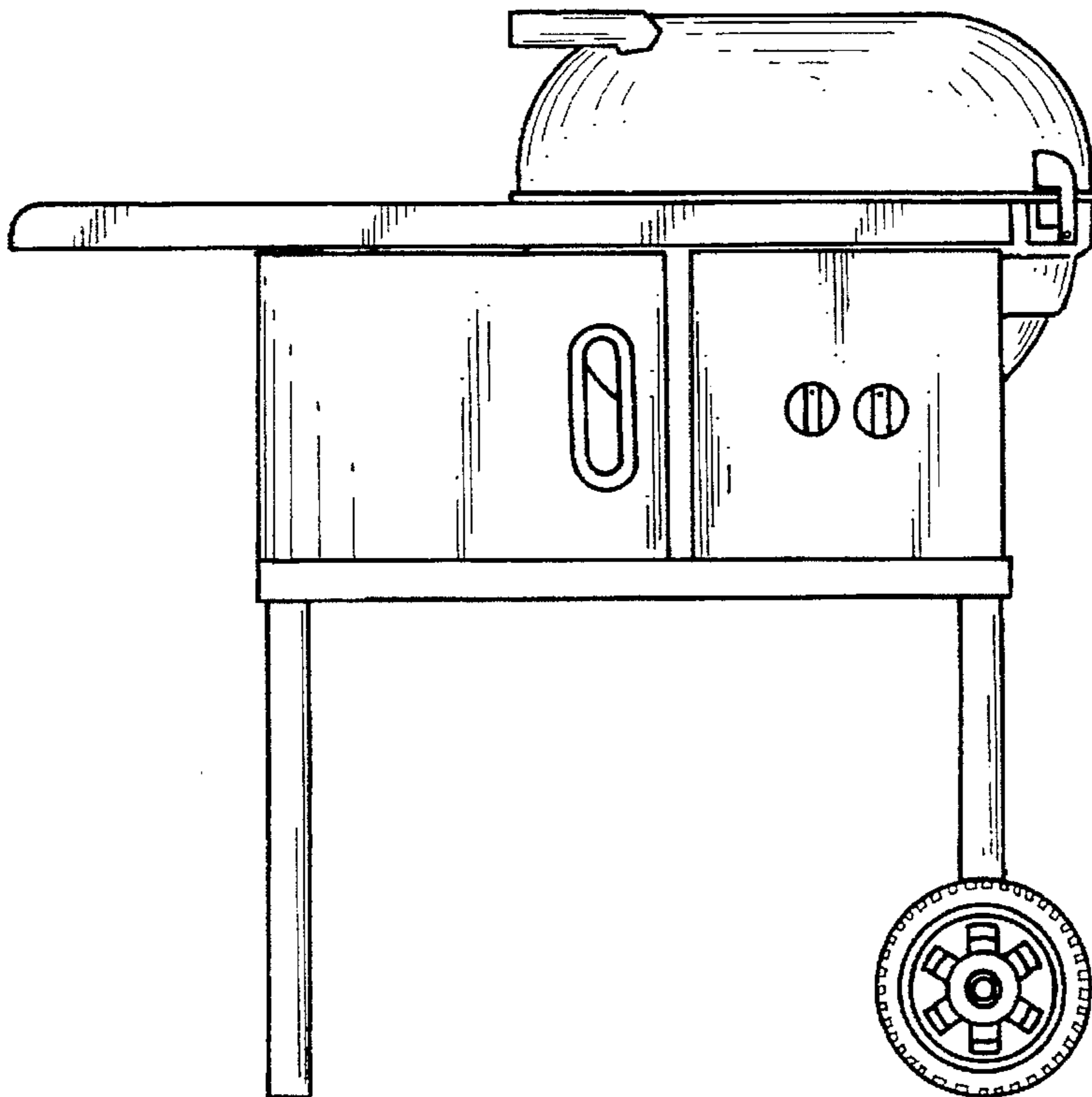


FIG. 5

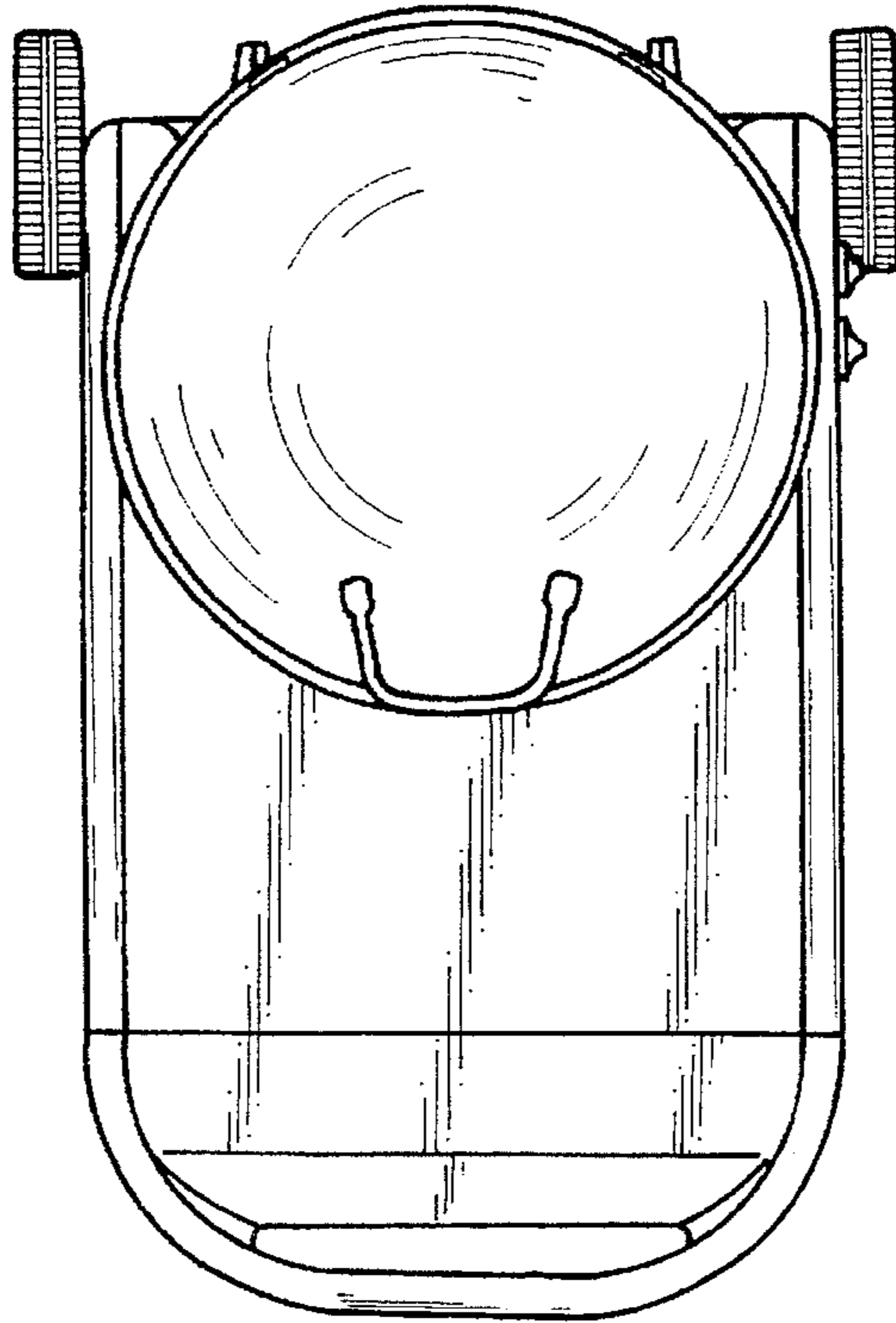


FIG. 6

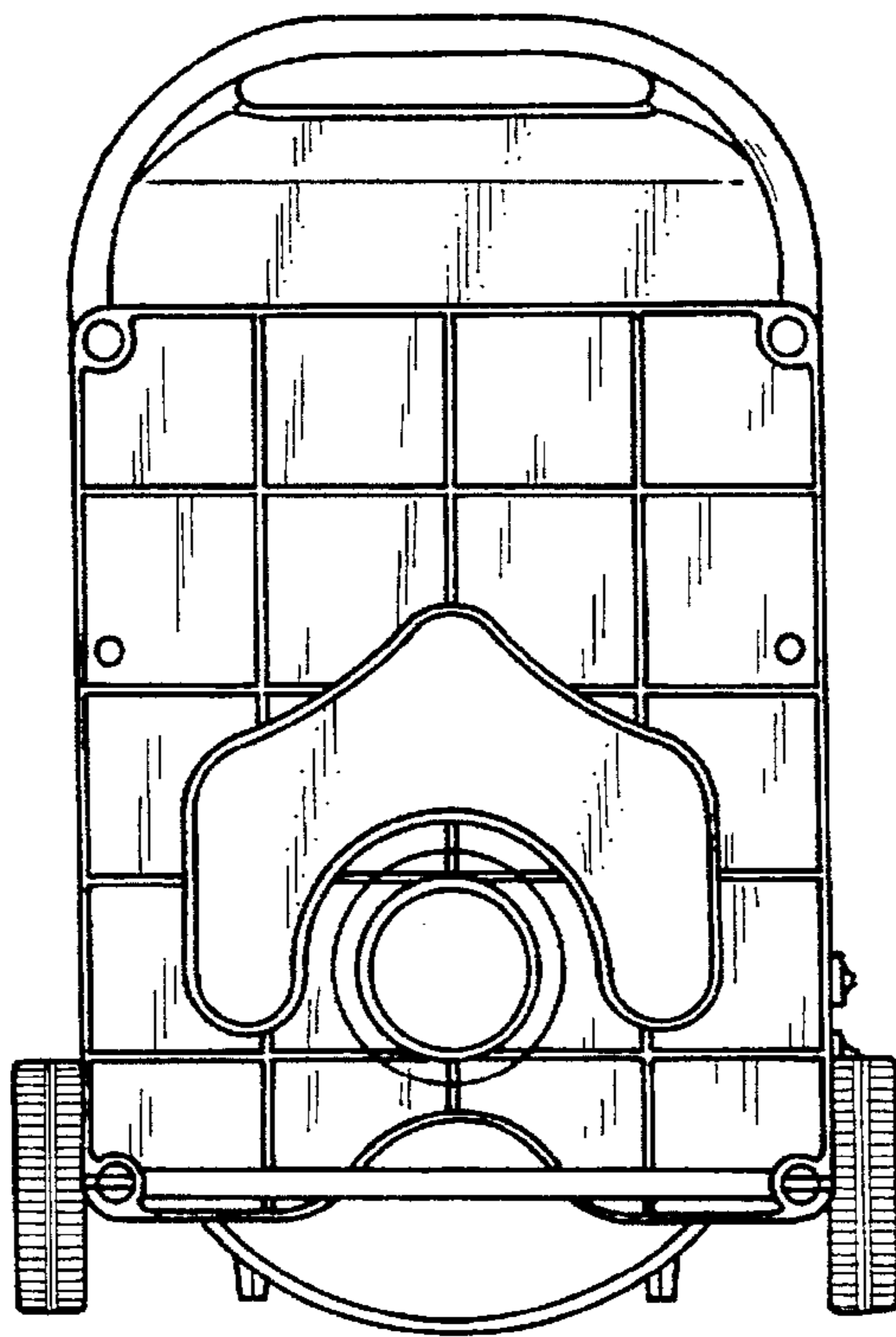


FIG. 7

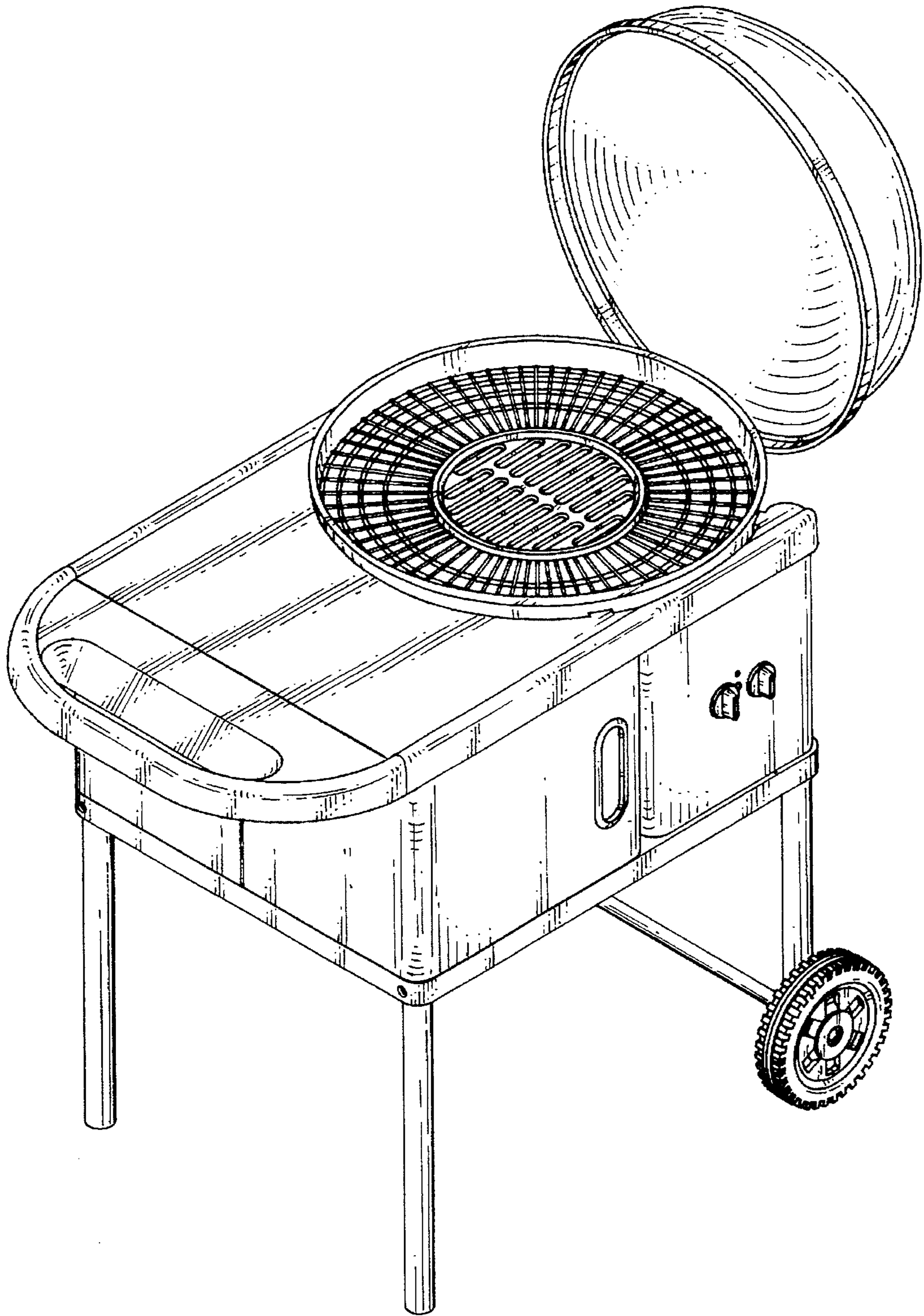


FIG. 8