



US00D381238S

**United States Patent** [19]  
**Joergensen**

[11] **Patent Number: Des. 381,238**  
[45] **Date of Patent: \*\*Jul. 22, 1997**

[54] **TEAPOT**

[75] **Inventor: Carsten Joergensen, Kriens, Switzerland**

[73] **Assignee: PI Design AG, Triengen, Switzerland**

[\*\*] **Term: 14 Years**

[21] **Appl. No.: 35,360**

[22] **Filed: Feb. 24, 1995**

[30] **Foreign Application Priority Data**

Aug. 26, 1994 [DK] Denmark ..... 748-94

[51] **LOC (6) Cl. .... 07-01**

[52] **U.S. Cl. .... D7/319; D7/318; D7/317**

[58] **Field of Search .... D7/300, 303, 312, D7/316, 317, 318, 319, 320, 321, 598, 602, 619, 622; 222/465.1, 475.1**

[56] **References Cited**

**U.S. PATENT DOCUMENTS**

- D. 160,346 10/1950 Silcox ..... D7/319
- D. 219,054 10/1970 Gulotta ..... D7/319
- D. 236,409 8/1975 Cyren ..... D7/319

- D. 337,691 7/1993 Raunkjaer ..... D7/318 X
- D. 342,414 12/1993 Jorgensen ..... D7/318 X
- D. 343,333 1/1994 Jorgensen ..... D7/318 X
- D. 343,759 2/1994 Jorgensen ..... D7/317 X
- D. 359,875 7/1995 Piva ..... D7/319
- D. 360,556 7/1995 DeCoster ..... D7/318
- 2,325,912 8/1943 Lehmann ..... D7/318 X

**OTHER PUBLICATIONS**

#9 Cup and Holder, Design 100 p. 29 Apr. 1957.

*Primary Examiner*—M. N. Pandozzi  
*Attorney, Agent, or Firm*—Gipple & Hale

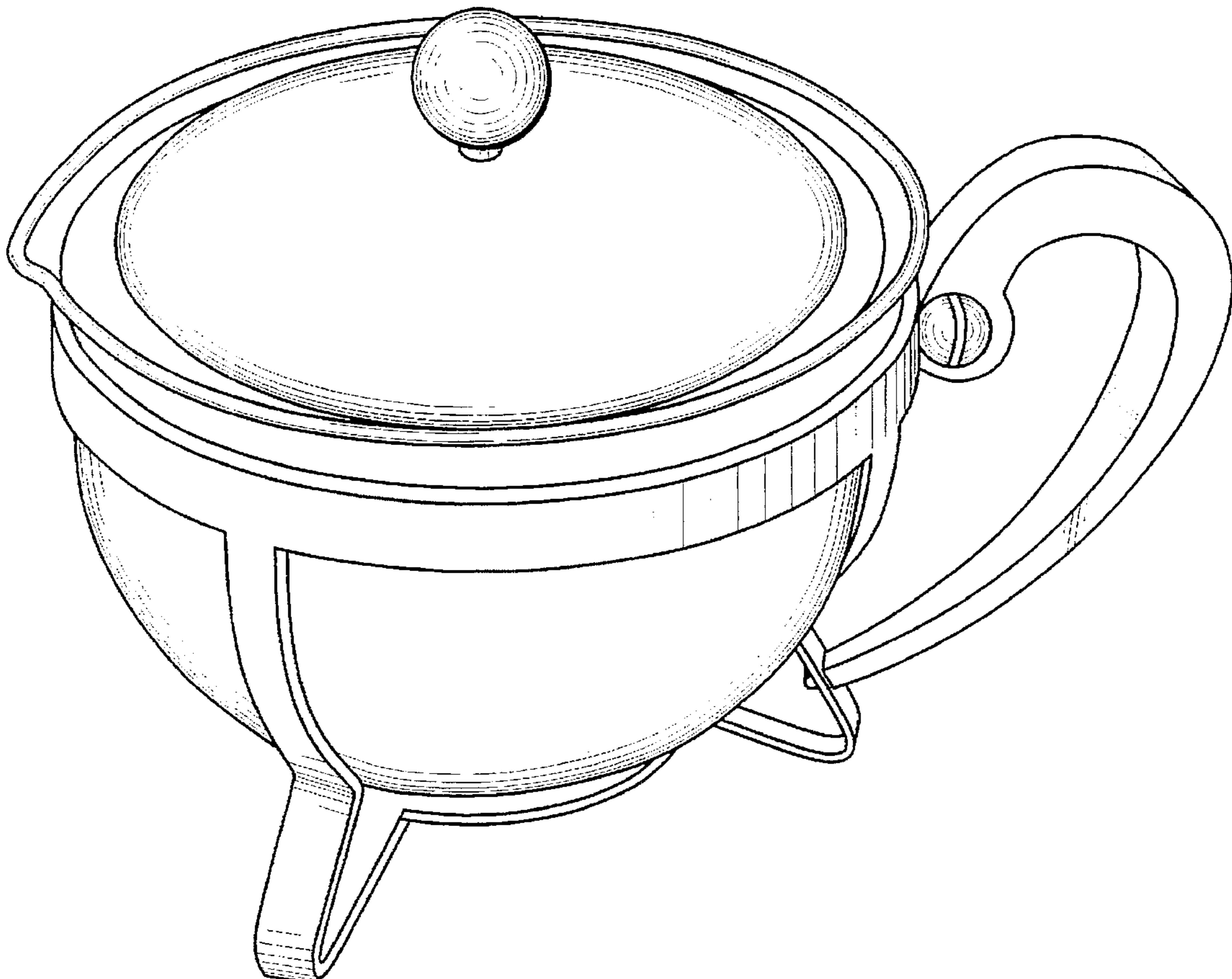
[57] **CLAIM**

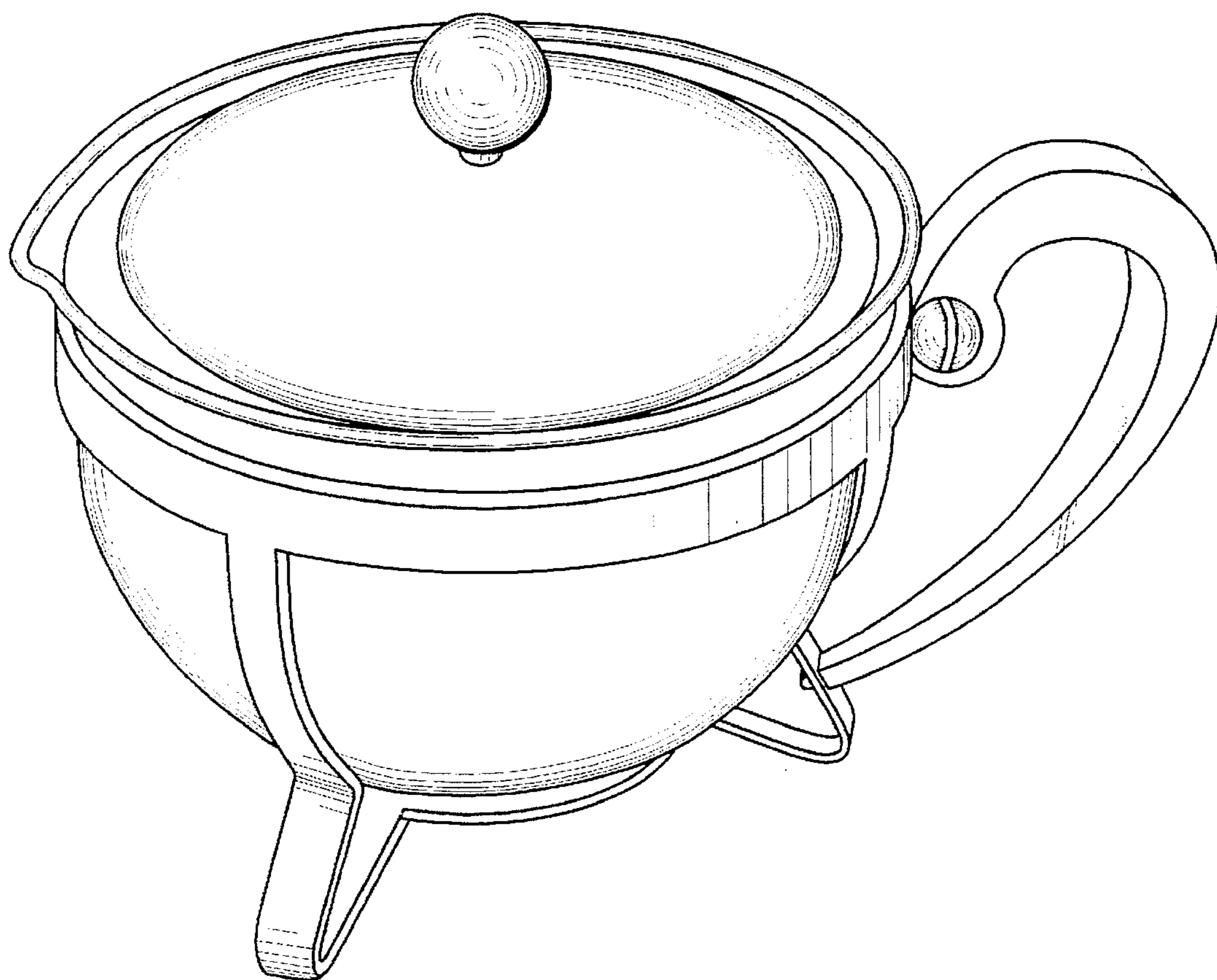
The ornamental design for a teapot, as shown and described.

**DESCRIPTION**

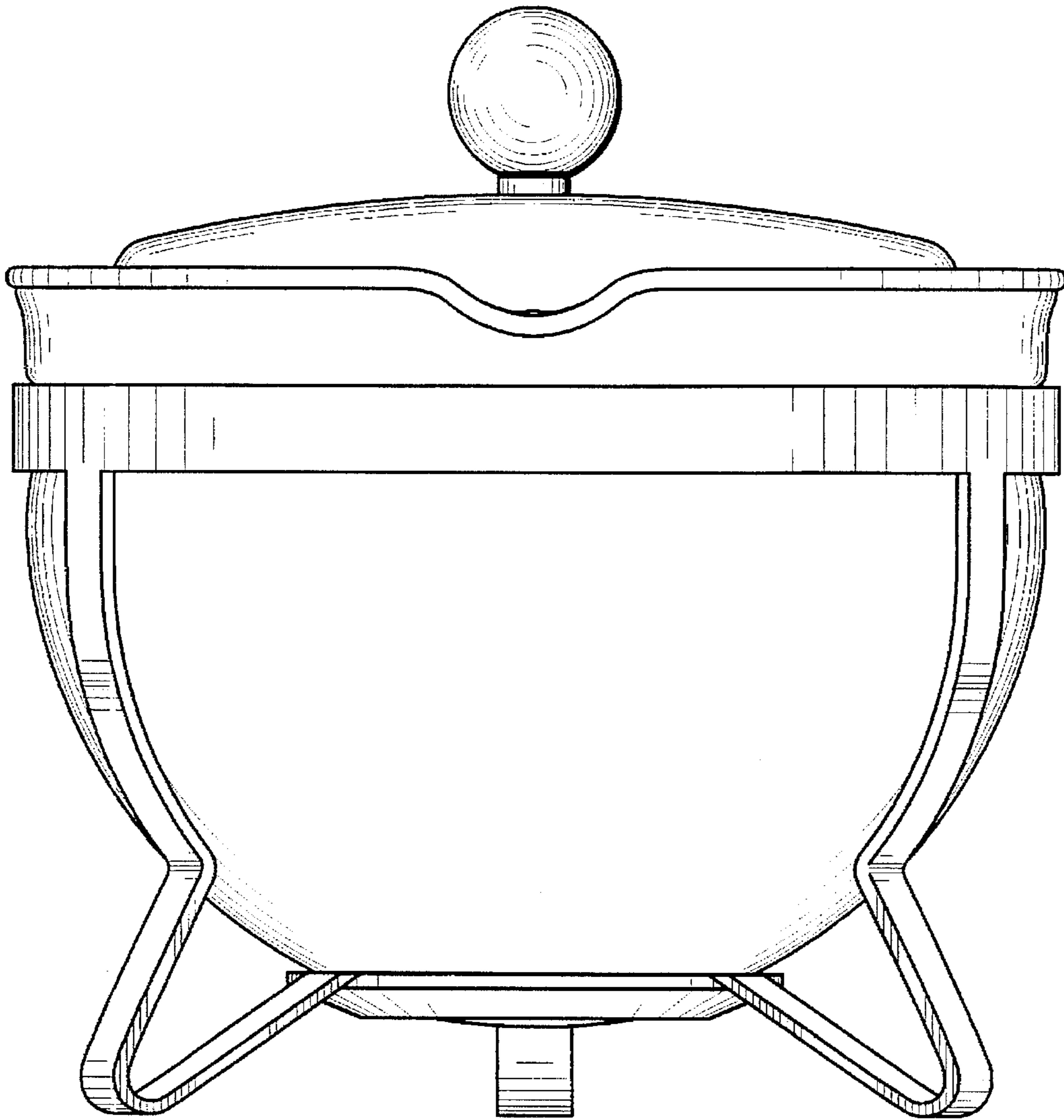
FIG. 1 is a top perspective view of a tea pot showing my new design;  
 FIG. 2 is a front elevational view thereof;  
 FIG. 3 is a rear elevational view thereof;  
 FIG. 4 is a left side elevational view thereof;  
 FIG. 5 is a right side elevational view thereof;  
 FIG. 6 is a top plan view thereof; and,  
 FIG. 7 is a bottom plan view thereof.

**1 Claim, 7 Drawing Sheets**

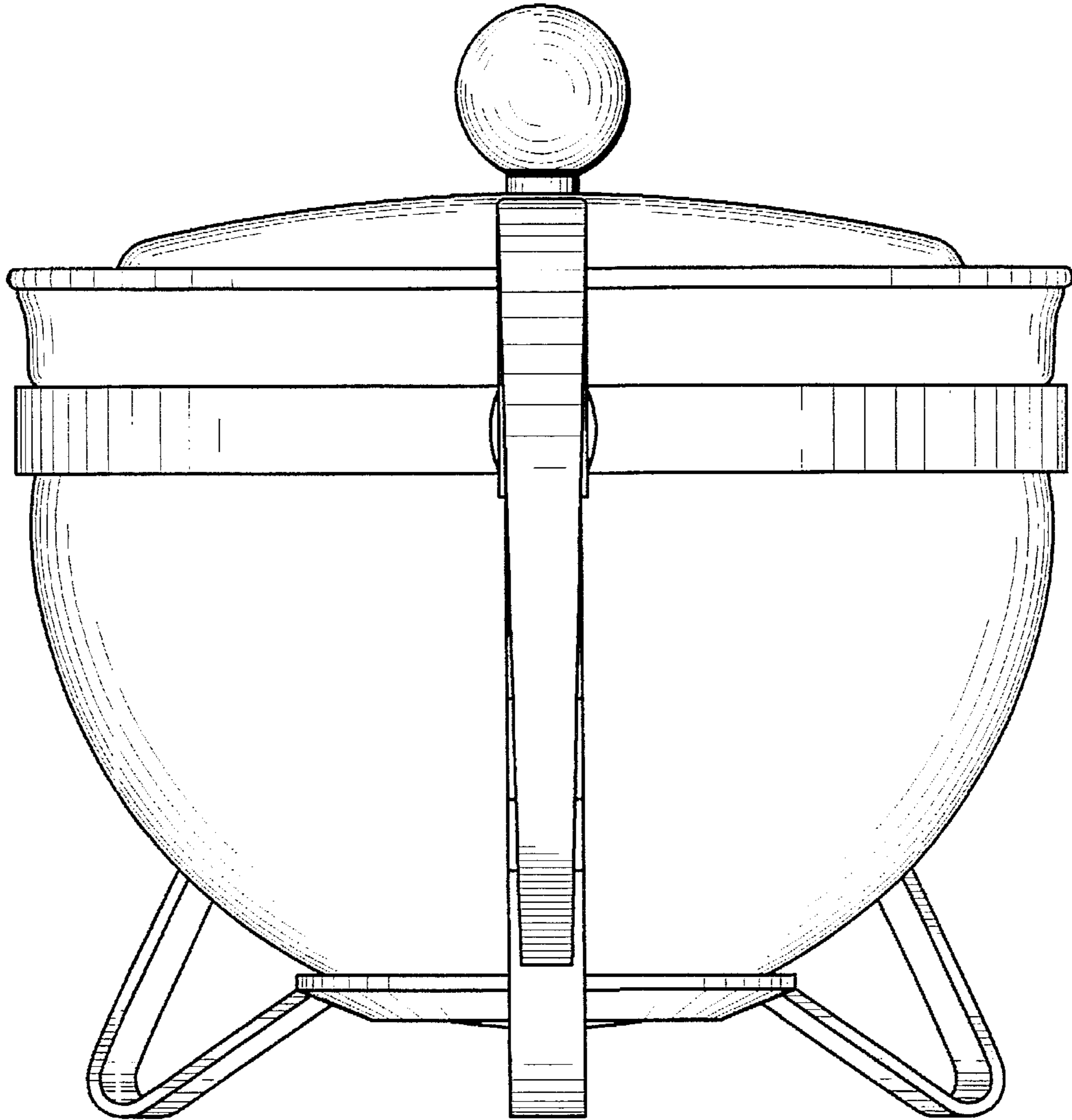




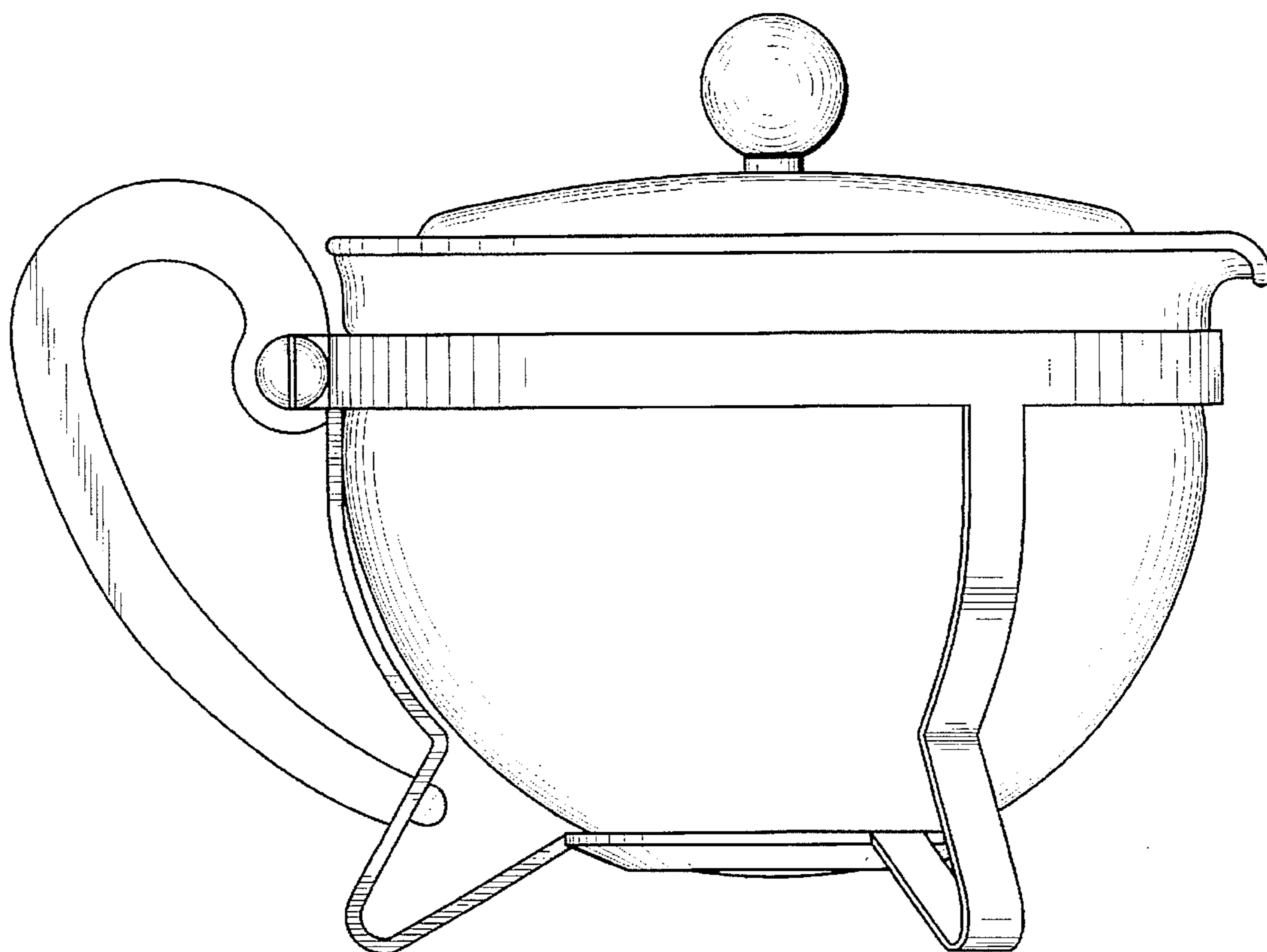
*Fig. 1*



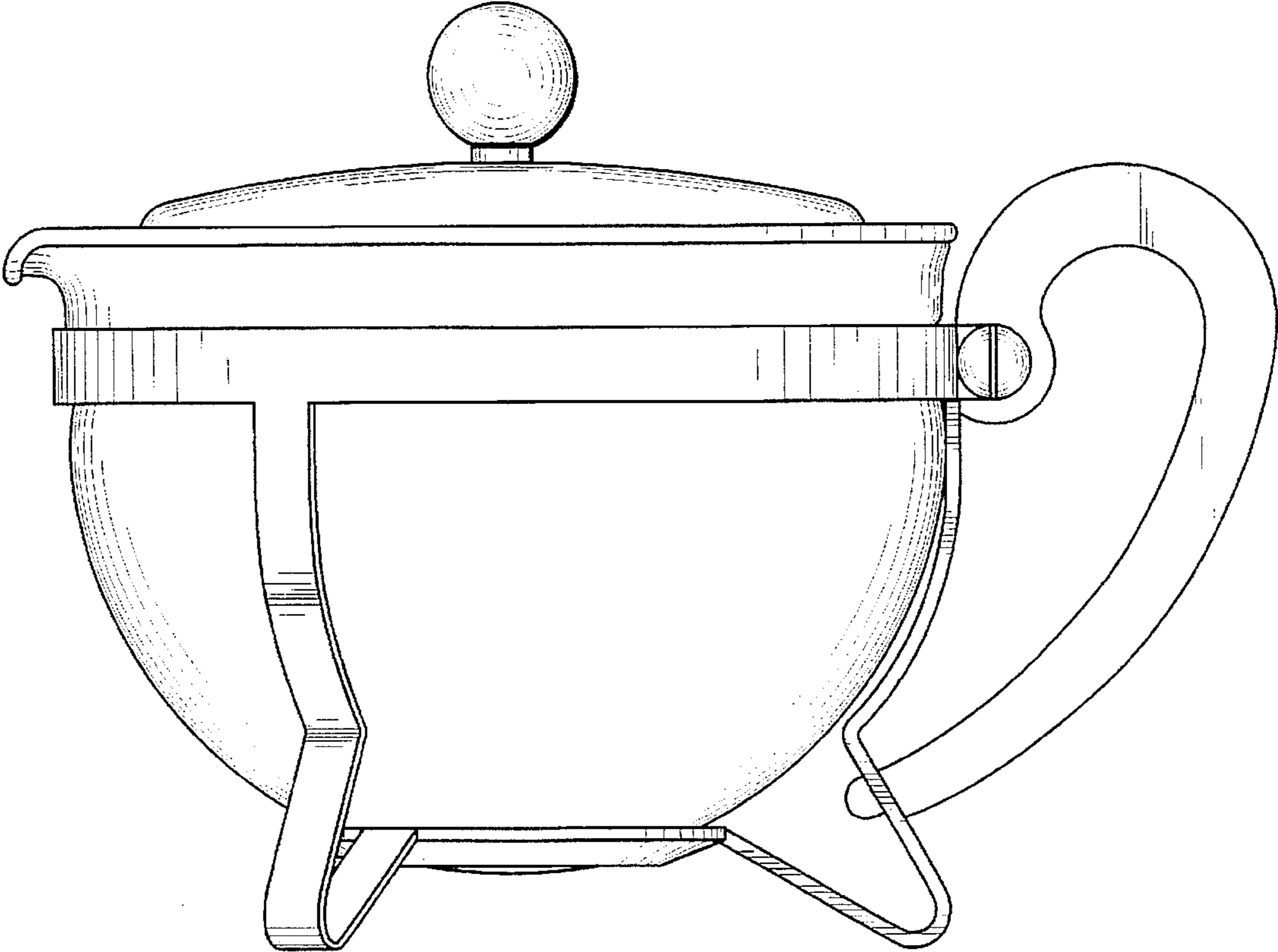
*Fig. 2*



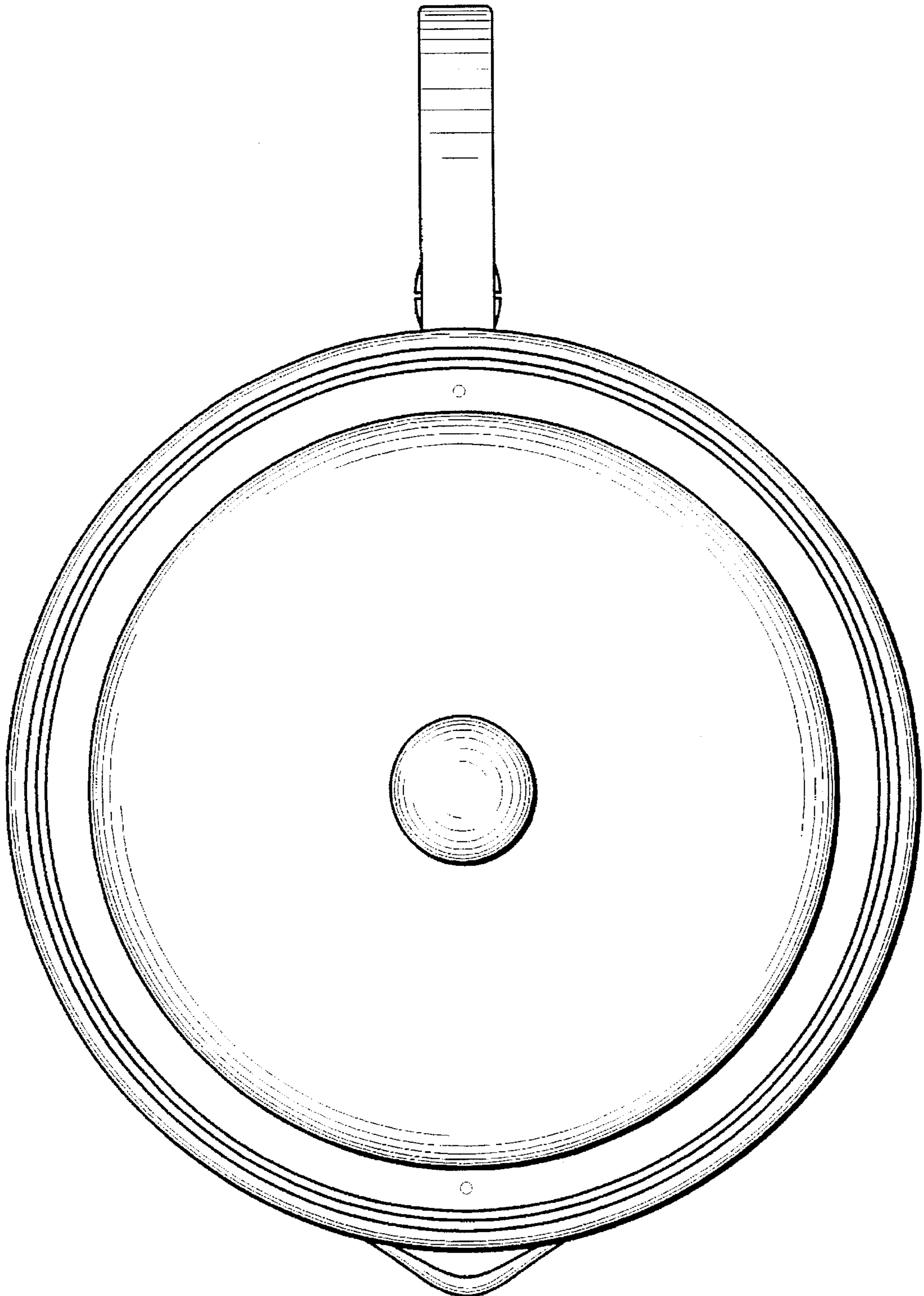
*Fig. 3*



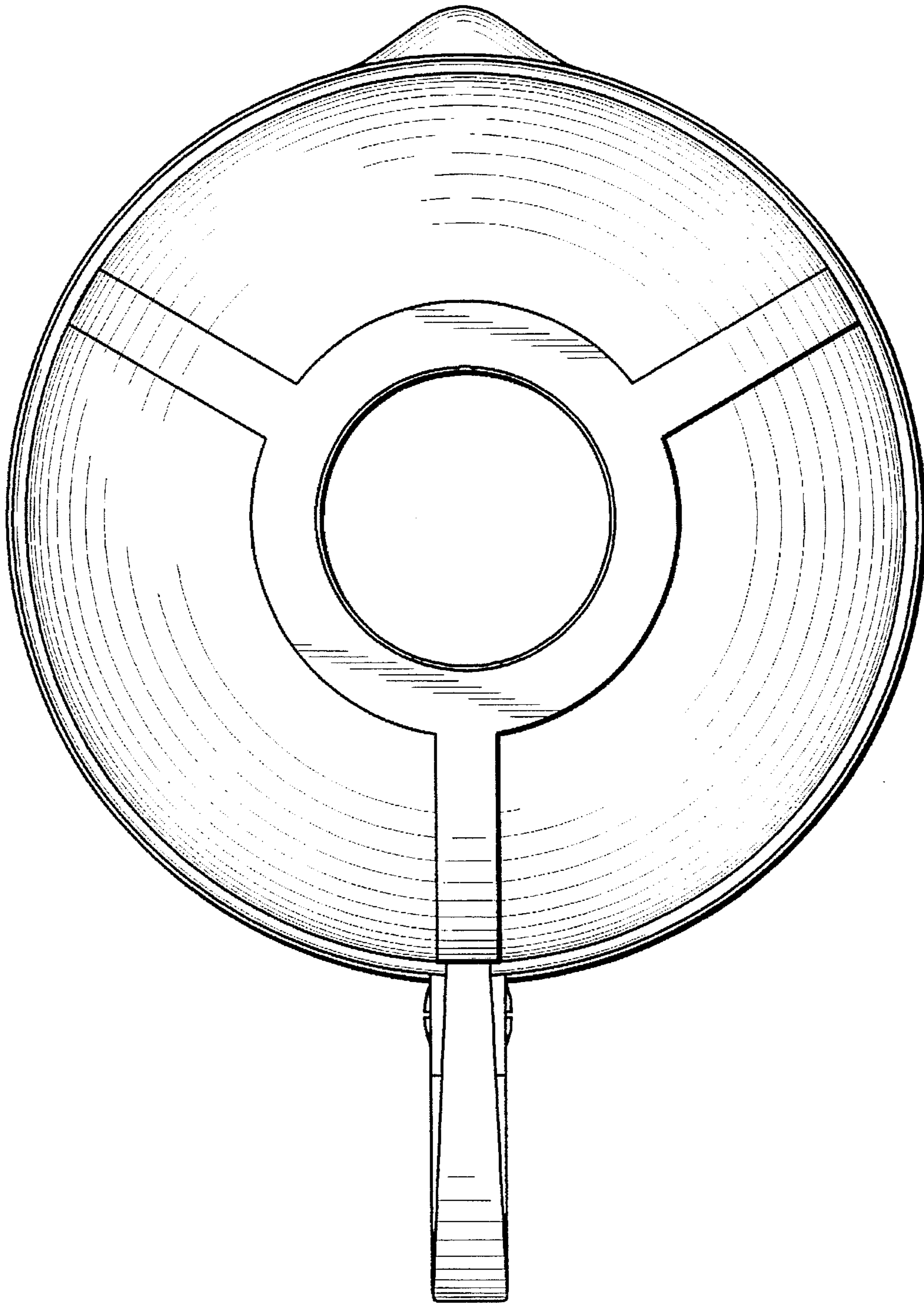
*Fig. 4*



*Fig. 5*



*Fig. 6*



*Fig. 7*