



US00D381237S

**United States Patent** [19]  
**De'Longhi**

[11] **Patent Number: Des. 381,237**

[45] **Date of Patent: \*\*Jul. 22, 1997**

[54] **ELECTRIC COFFEEMAKER**

D. 359,414 6/1995 Kahlcke ..... D7/310 X

[75] Inventor: **Giuseppe De'Longhi**, Treviso, Italy

**OTHER PUBLICATIONS**

[73] Assignee: **De'Longhi S.p.A.**, Treviso, Italy

Robot II Coupe Coffeemaker HFD Retailing Home Furnishings May 4, 1981.

[\*\*] Term: **14 Years**

Maxim Espresso Cappuccino Maker (1) W. Bell 1987 p. 297.

[21] Appl. No.: **34,983**

*Primary Examiner*—M. N. Pandozzi

[22] Filed: **Jan. 5, 1995**

*Attorney, Agent, or Firm*—Herbert Dubno

[30] **Foreign Application Priority Data**

[57] **CLAIM**

Jul. 8, 1994 [IT] Italy ..... MI94O0354

The ornamental design for an electric coffeemaker, as shown and described.

[51] **LOC (6) Cl.** ..... **07-02**

**DESCRIPTION**

[52] **U.S. Cl.** ..... **D7/309; D7/310; D7/311**

FIG. 1 is a top, front, right-side perspective view of an electric coffeemaker showing my new design;

[58] **Field of Search** ..... D7/309, 305, 310.

D7/311, 300, 312, 313, 306, 307, 308.

304; 222/78, 185.1, 129.2, 129.3, 129.4

FIG. 2 is a top, front, left-side perspective view thereof;

FIG. 3 is a top plan view thereof;

FIG. 4 is a left side elevational view thereof;

FIG. 5 is a front elevational view thereof;

FIG. 6 is a right side view thereof; and,

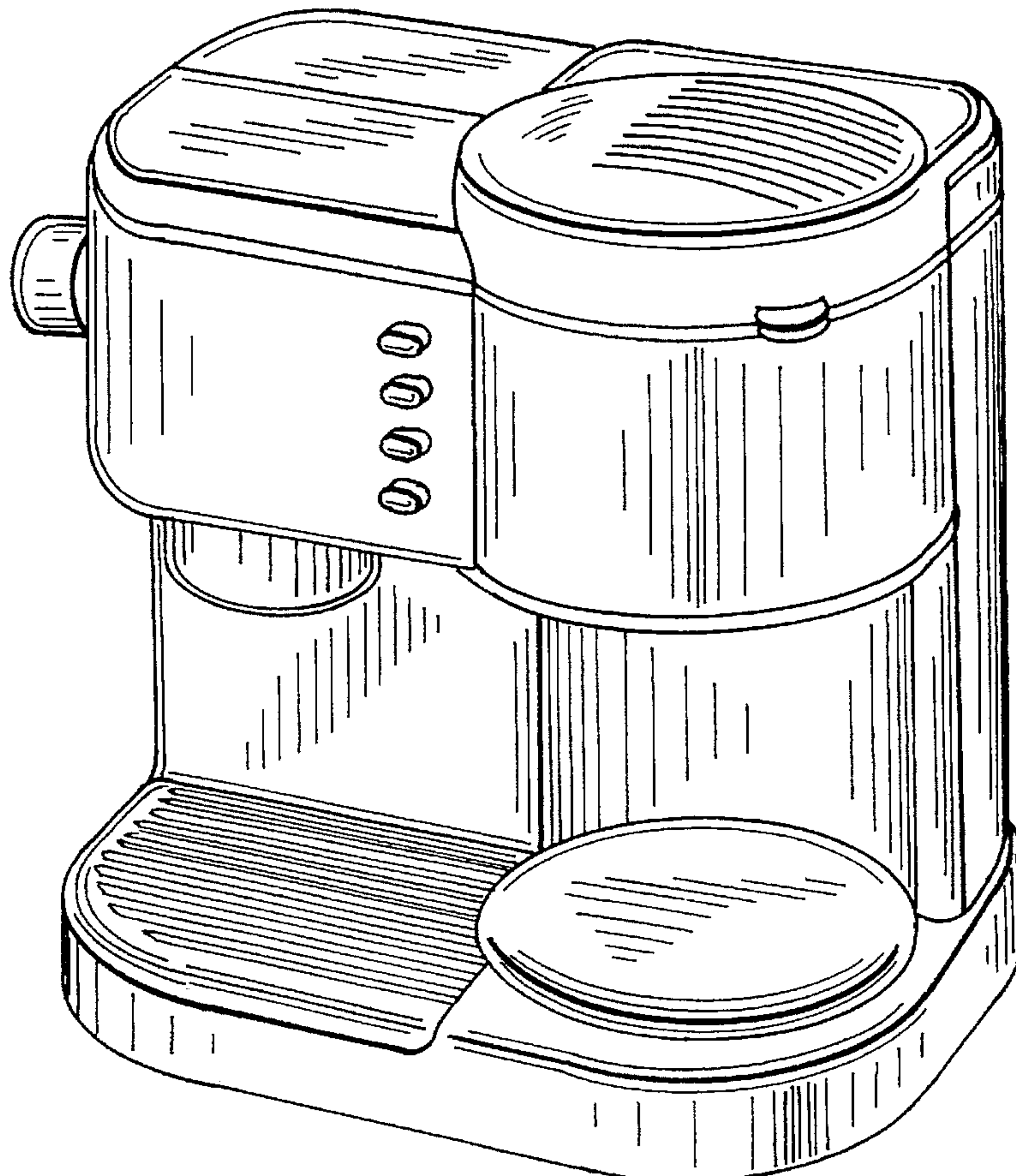
FIG. 7 is a top rear perspective view thereof, the bottom being plain and unornamented.

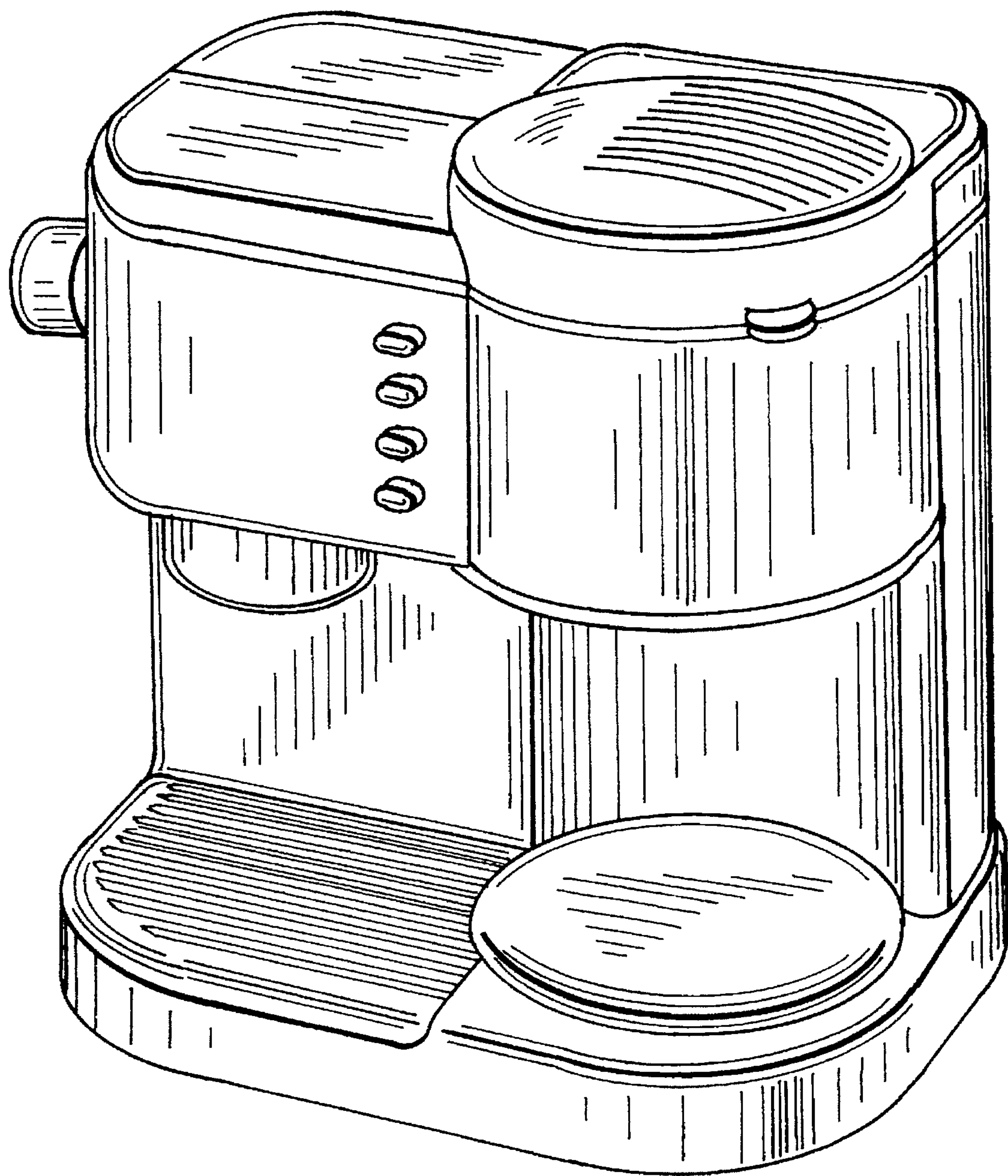
[56] **References Cited**

**U.S. PATENT DOCUMENTS**

- D. 314,881 2/1991 Wondergem et al. .... D7/310 X
- D. 318,973 8/1991 Hasslacher ..... D7/309 X
- D. 343,758 2/1994 Beeren ..... D7/309
- D. 344,205 2/1994 Saltet ..... D7/309
- D. 356,923 4/1995 Reinardy et al. .... D7/310 X

**1 Claim, 7 Drawing Sheets**





**FIG. 1**



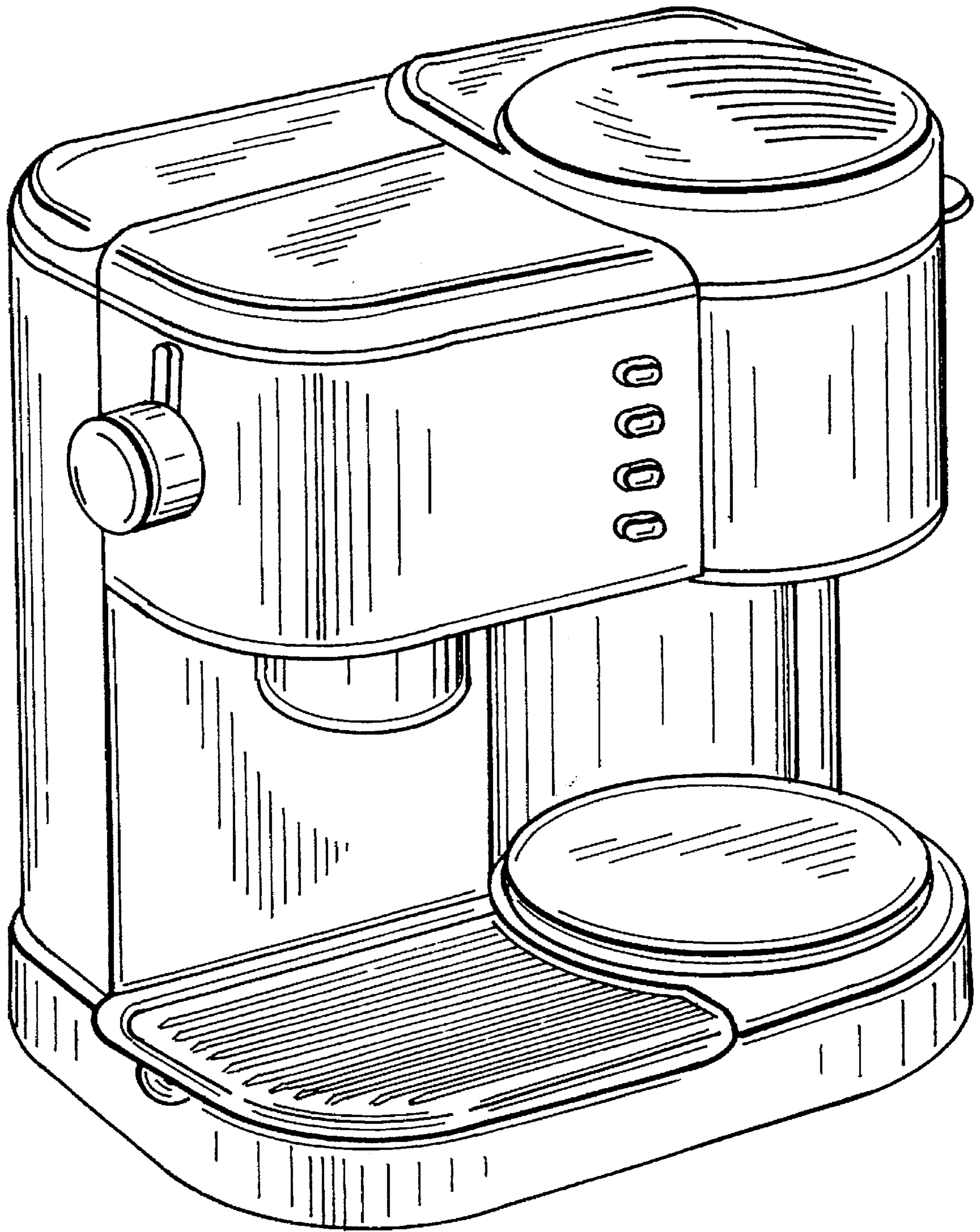


FIG. 2

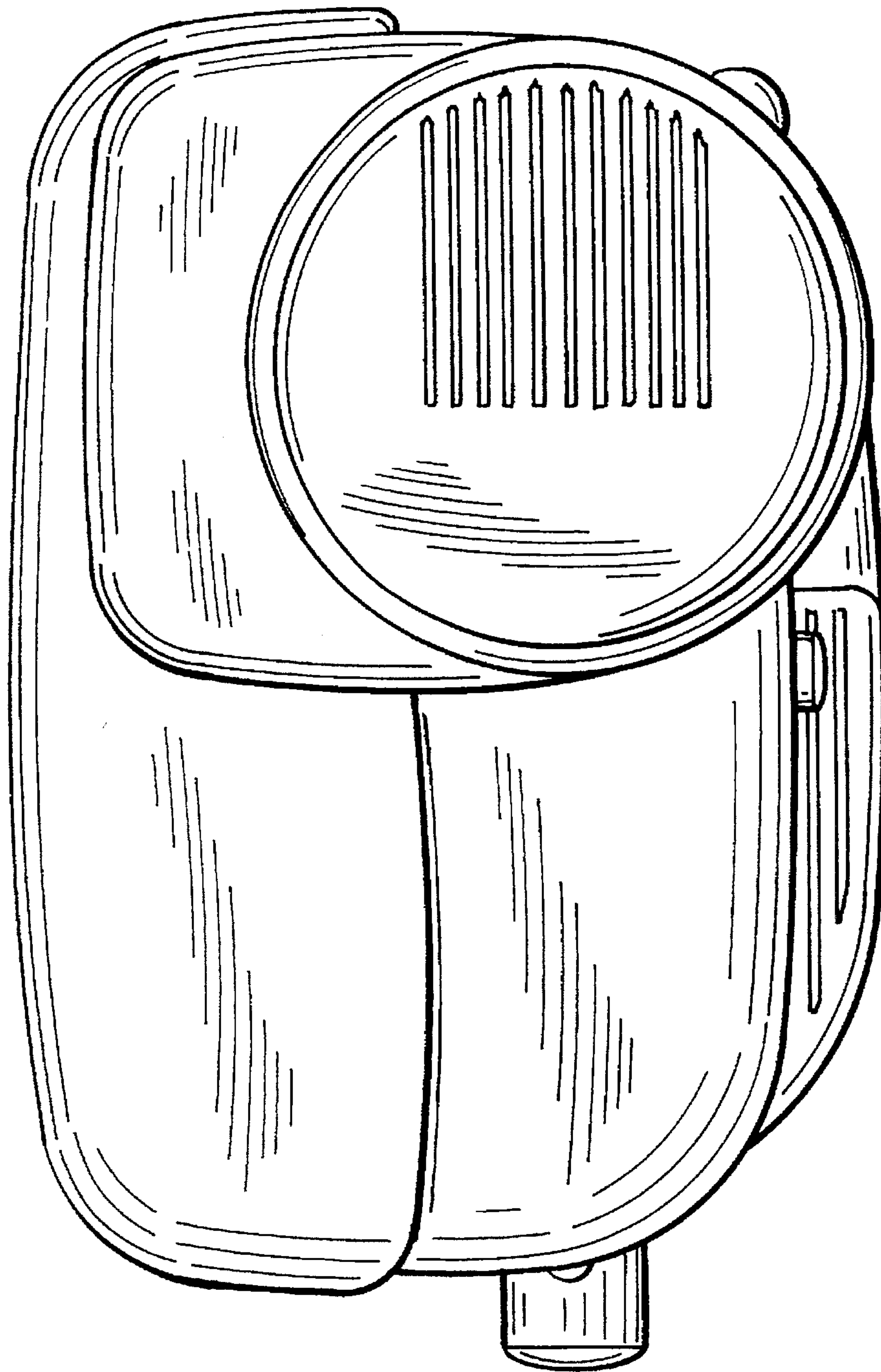


FIG. 3

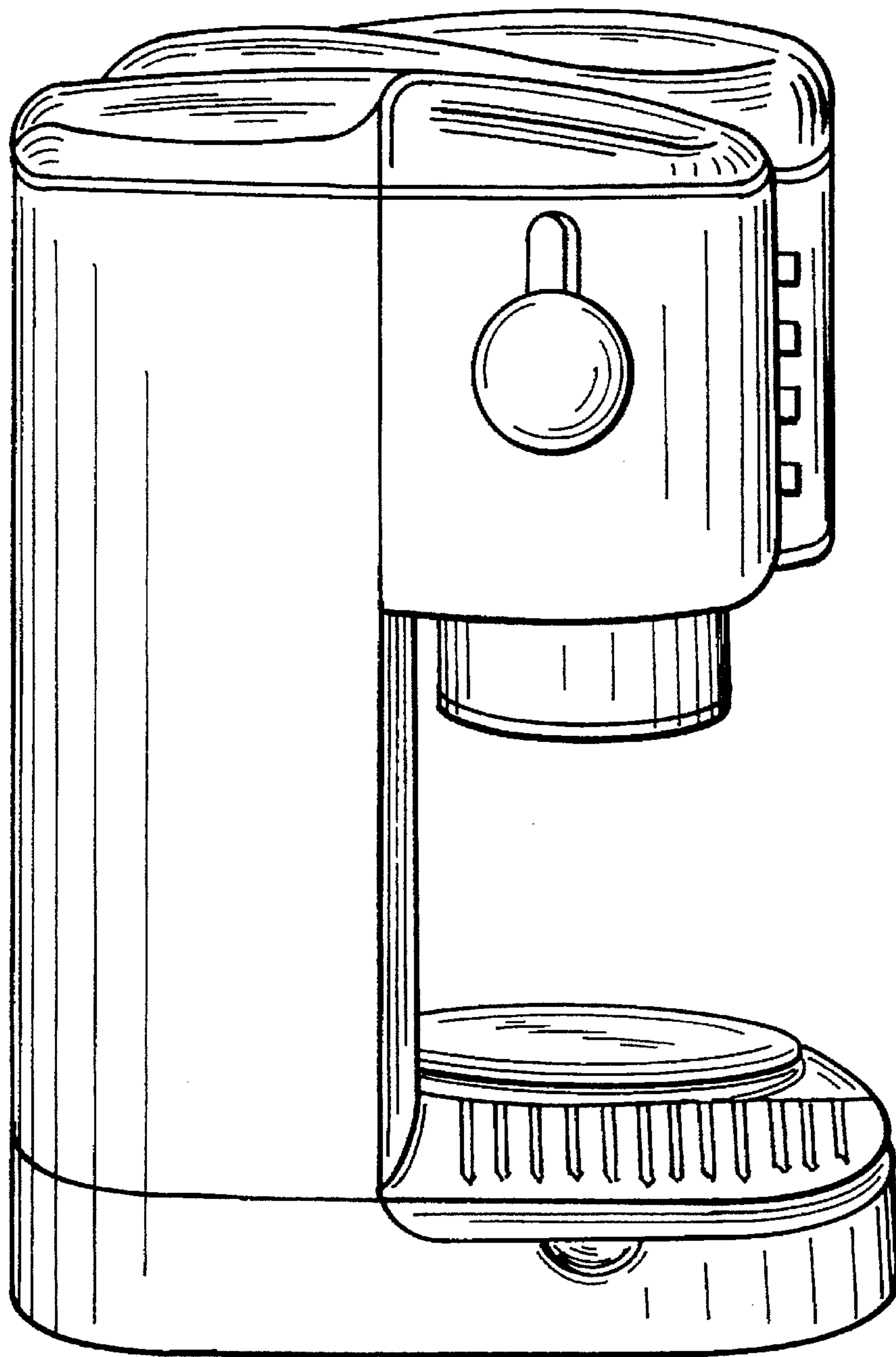


FIG. 4

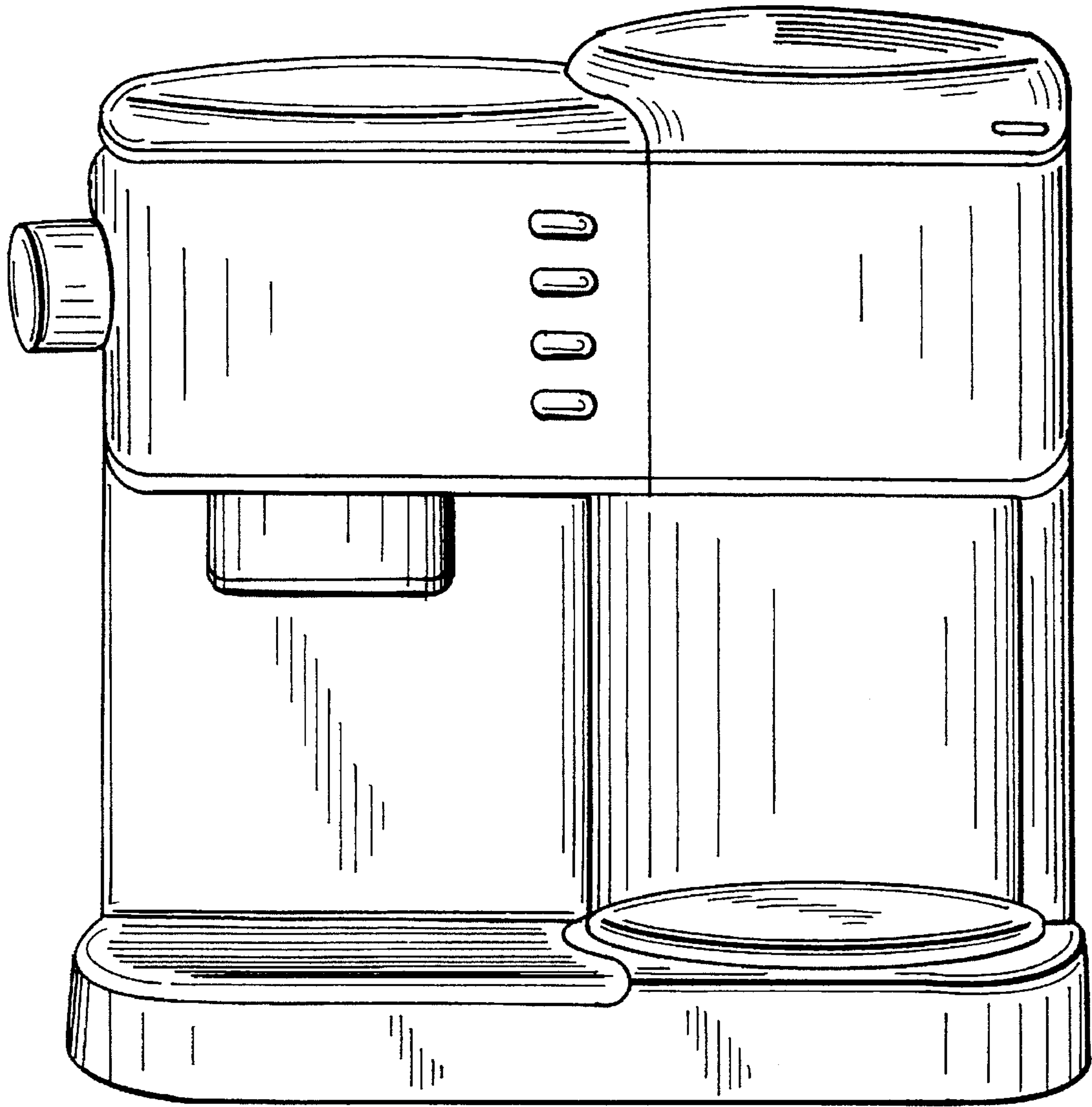


FIG. 5

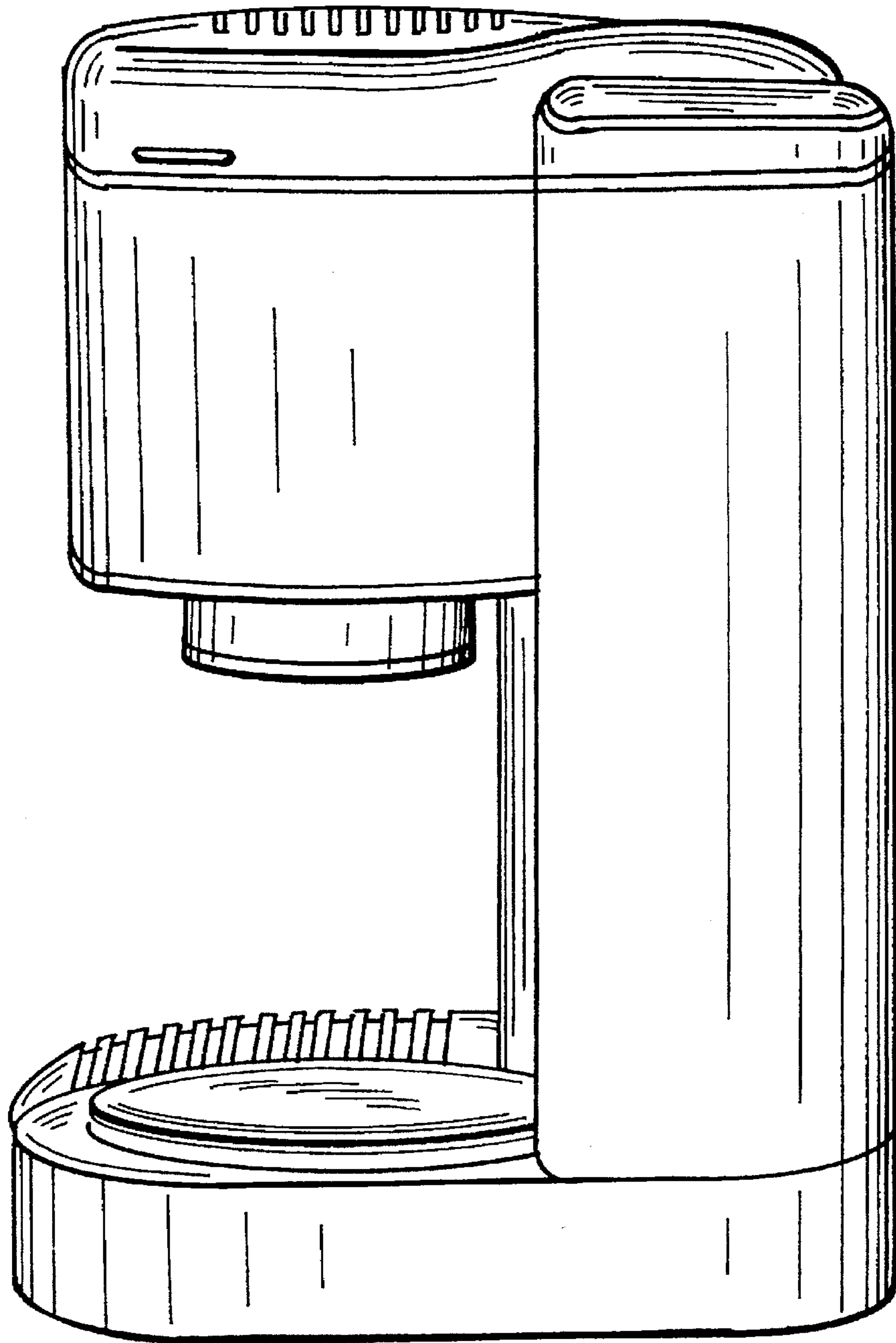


FIG. 6



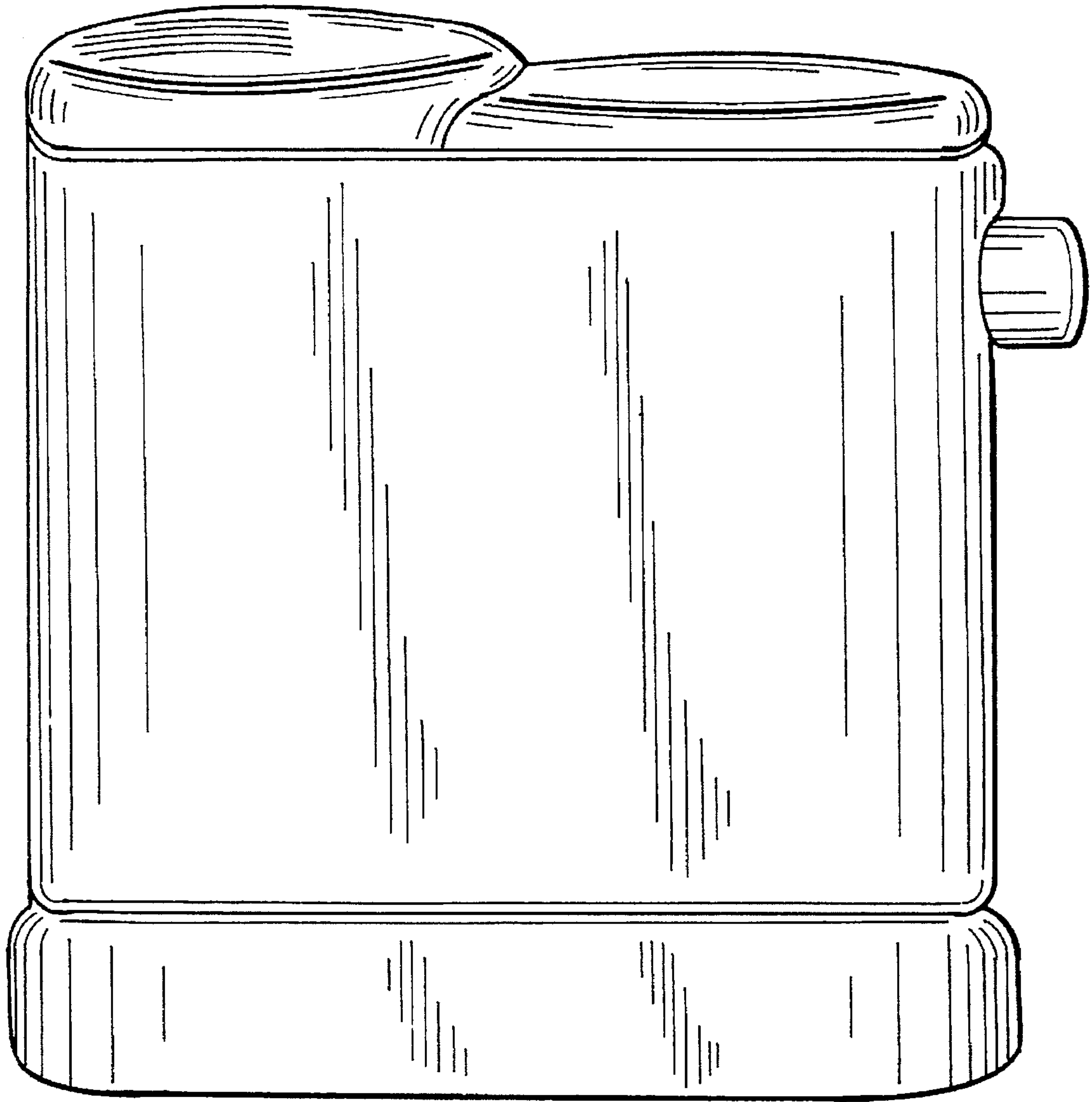


FIG. 7