



US00D381230S

United States Patent [19] Gifford

[11] Patent Number: **Des. 381,230**

[45] Date of Patent: ****Jul. 22, 1997**

[54] MAT

[76] Inventor: **Richard Dale Gifford**, 1667 Lakewood Road South, Edmonton, Alberta, Canada, T6K 3B9

[**] Term: **14 Years**

[21] Appl. No.: **33,073**

[22] Filed: **Jan. 4, 1995**

[30] **Foreign Application Priority Data**

Jul. 7, 1994 [CA] Canada 1994/1280

[51] LOC (6) Cl. **06-11**

[52] U.S. Cl. **D6/582**

[58] Field of Search D6/582, 583, 382-384, D6/595, 596, 601, 610, 611; 297/452.25, 452.33, DIG. 1, DIG. 3, DIG. 6; 5/630, 417-420, 924; 280/32.6; 296/37.2; 428/80-82, 94, 95; 15/215; D12/203

[56] **References Cited**

U.S. PATENT DOCUMENTS

211,741 1/1879 Johnson 5/630

D. 256,870	9/1980	Britzman	D6/601
D. 293,286	12/1987	Alfer	D6/596
D. 318,575	7/1991	Applebaum	D6/582 X
4,091,149	5/1978	Oxendine	428/81
4,185,813	1/1980	Spann	5/630 X
4,951,334	8/1990	Maier	297/452.21
5,286,089	2/1994	Goldman	297/DIG. 1 X

Primary Examiner—James Gandy
Assistant Examiner—Linda Brooks
Attorney, Agent, or Firm—Anthony R. Lambert

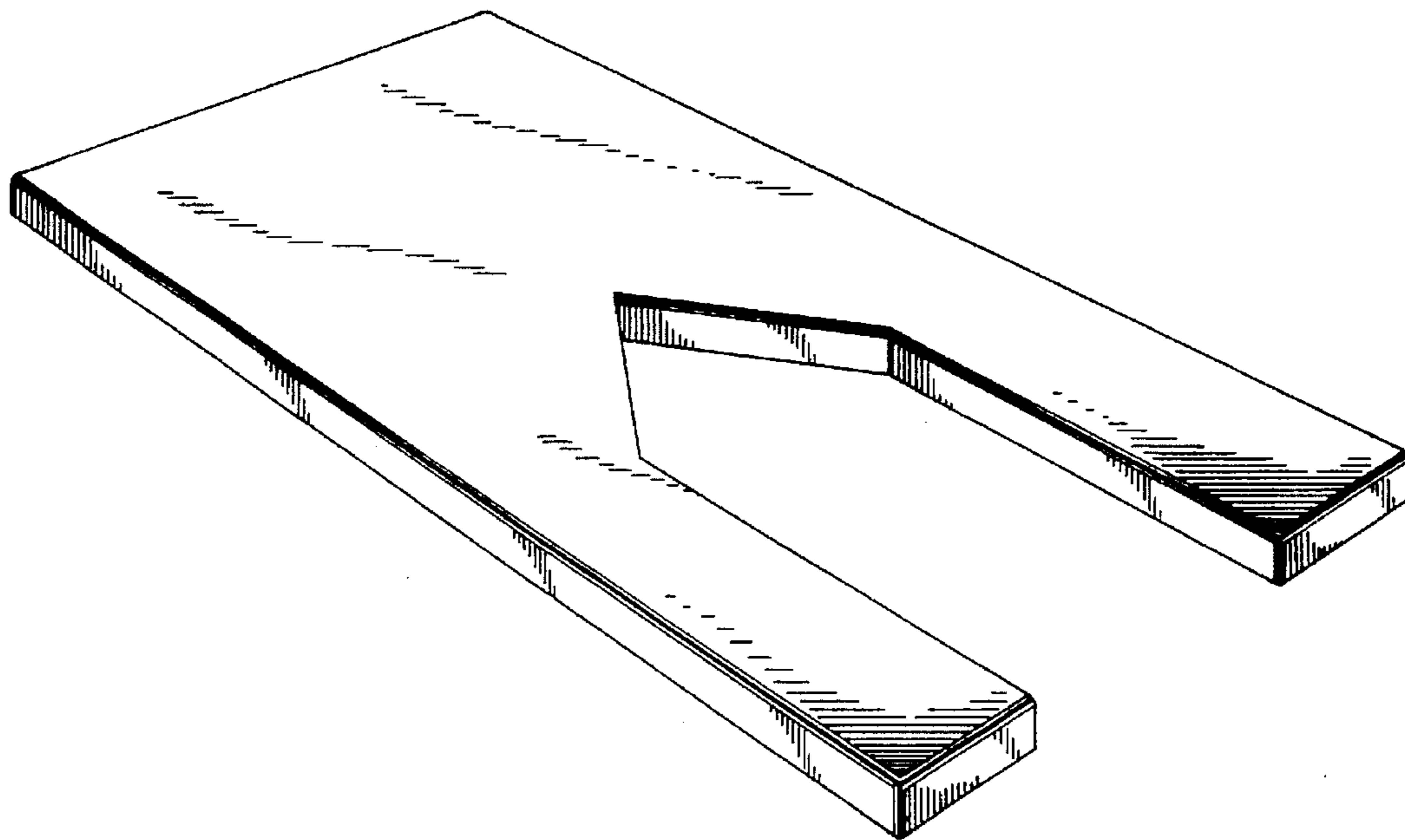
[57] **CLAIM**

The ornamental design for a mat, as shown and described.

DESCRIPTION

FIG. 1 is a perspective view;
FIG. 2 is an enlarged top plan view, the bottom plan view being a mirror image thereof;
FIG. 3 is an enlarged right side elevation view of the mat shown in FIG. 2, the left side elevation view being a mirror image thereof;
FIG. 4 is a front elevation view of the mat shown in FIG. 3; and,
FIG. 5 is a rear elevation view of the mat shown in FIG. 3.

1 Claim, 2 Drawing Sheets



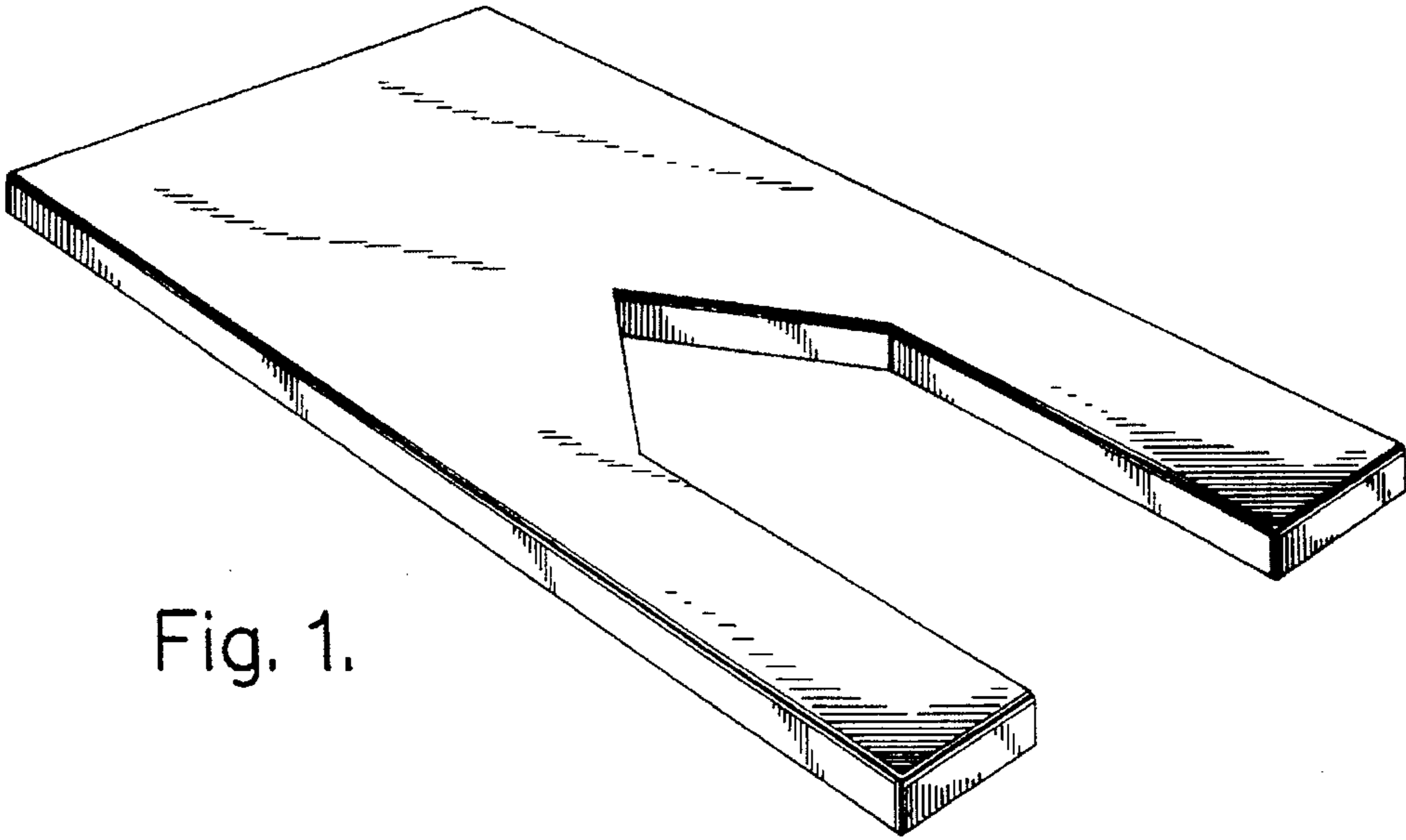


Fig. 1.

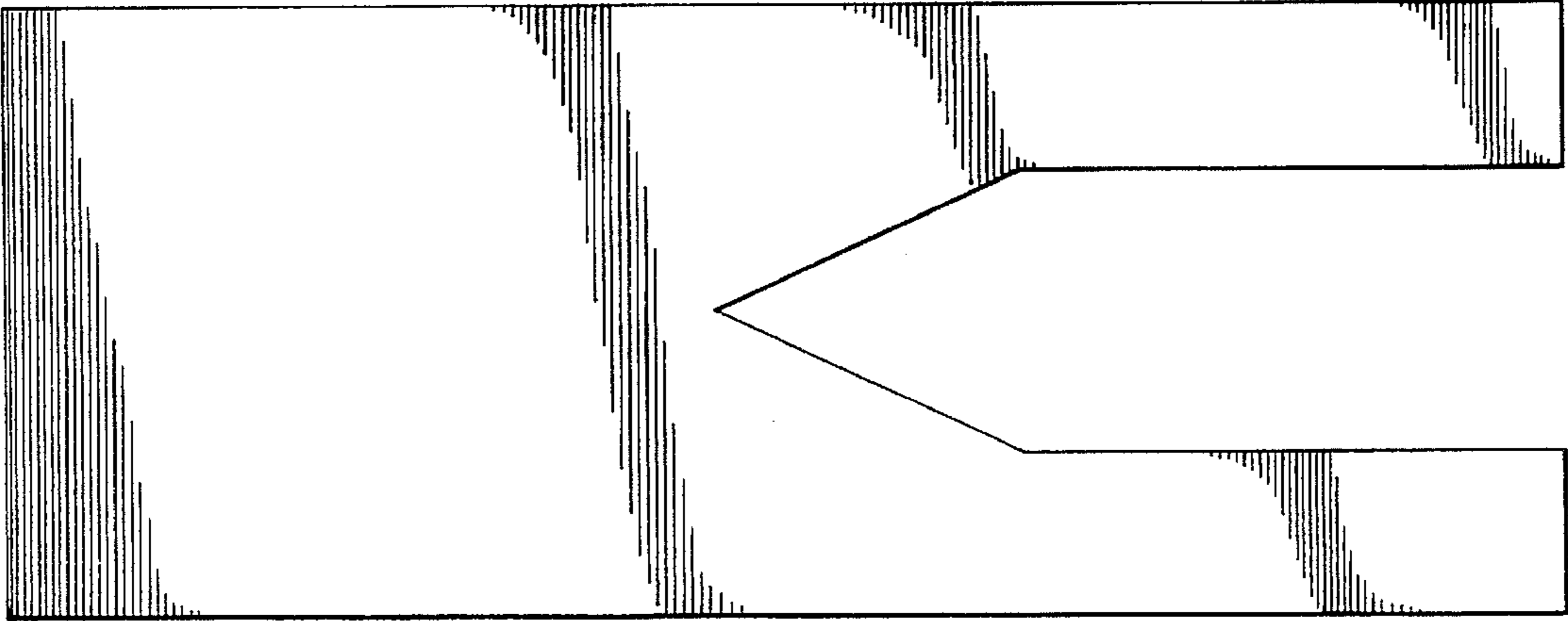


Fig. 2.



Fig. 3.



Fig. 4.



Fig. 5.