



US00D381229S

United States Patent [19]
Yemini

[11] **Patent Number:** **Des. 381,229**

[45] **Date of Patent:** ****Jul. 22, 1997**

[54] **BATH ACCESSORY**

[75] **Inventor:** **Zvi Yemini, Tel-Aviv, Israel**

[73] **Assignee:** **Melard Manufacturing Corp., Passaic, N.J.**

[**] **Term:** **14 Years**

[21] **Appl. No.:** **52,309**

[22] **Filed:** **Apr. 2, 1996**

[51] **LOC (6) Cl.** **07-07**

[52] **U.S. Cl.** **D6/525**

[58] **Field of Search** D6/524-525; D28/73; D22/136; D9/549; D32/53; D3/901, 304, 307, 308, 310, 313, 315; 206/207, 210, 216, 223, 570, 581, 349, 557, 804, 823

[56] **References Cited**

U.S. PATENT DOCUMENTS

D. 281,929 12/1985 Strobel et al. D3/308

D. 322,731 12/1991 Willie D6/524

D. 326,347 5/1992 Ancona et al. D3/308

D. 329,561 9/1992 Nyorkor D6/524

D. 355,553 2/1995 Tiramani D6/525

Primary Examiner—Brian N. Vinson
Attorney, Agent, or Firm—Edgar A. Zarins; Malcolm L. Sutherland

[57] **CLAIM**

The ornamental design for a bath accessory, as shown and described.

DESCRIPTION

FIG. 1 is a perspective view of a bath accessory showing my new design;

FIG. 2 is a top plan view thereof;

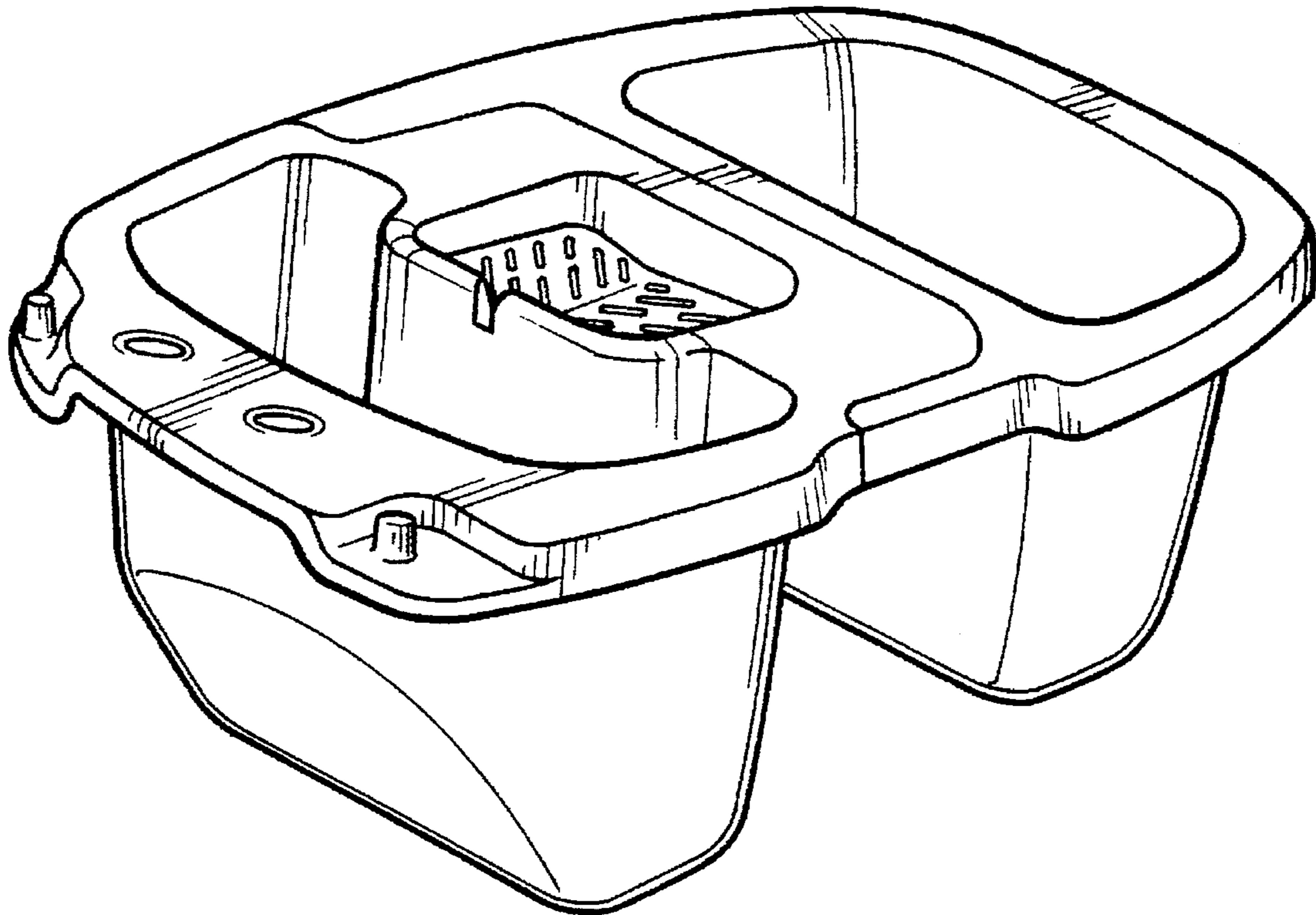
FIG. 3 is a left end view thereof;

FIG. 4 is a right end view thereof;

FIG. 5 is a side elevational view thereof, the opposite side being a mirror image of the side shown; and,

FIG. 6 is a bottom plan view thereof.

1 Claim, 3 Drawing Sheets



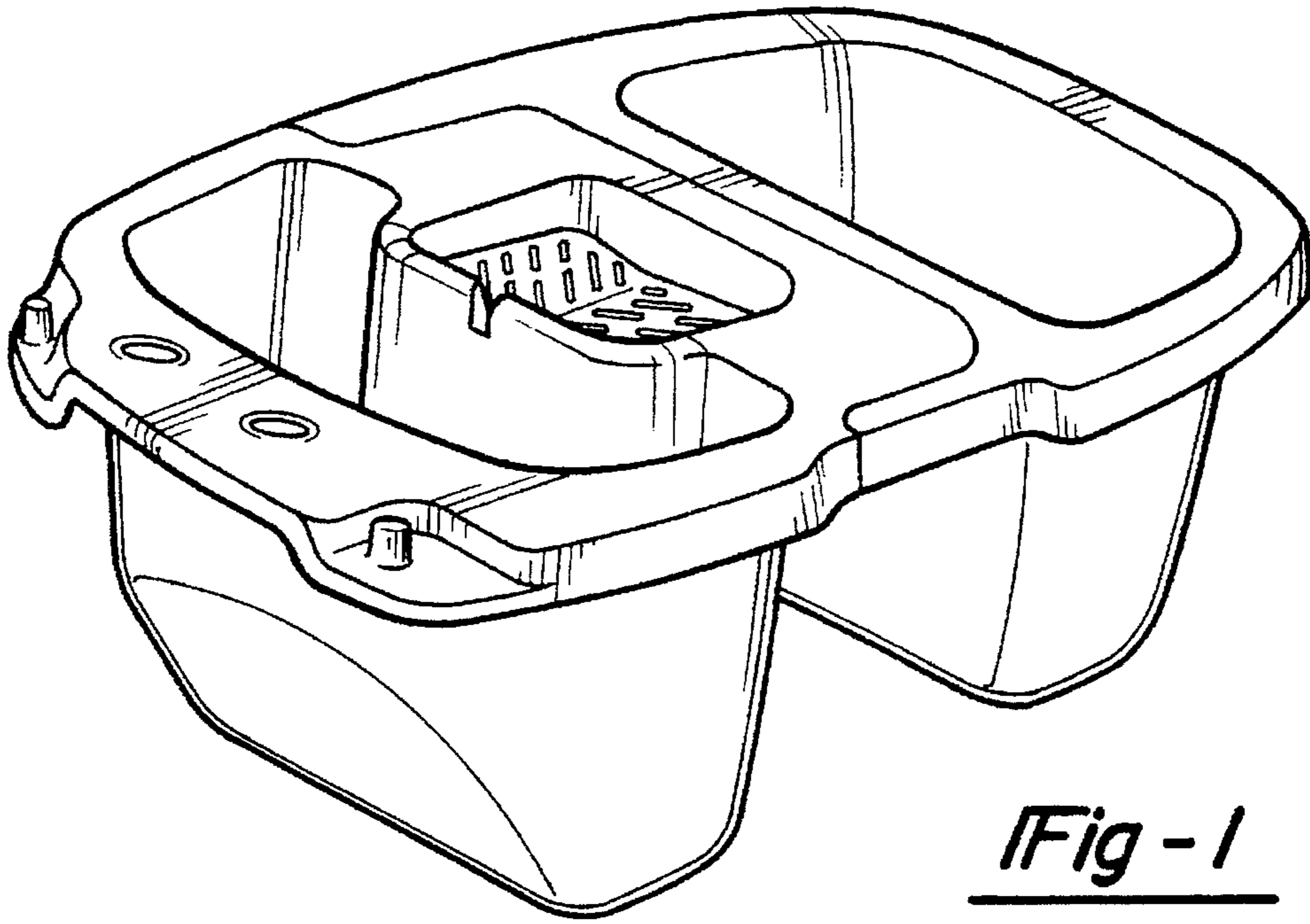
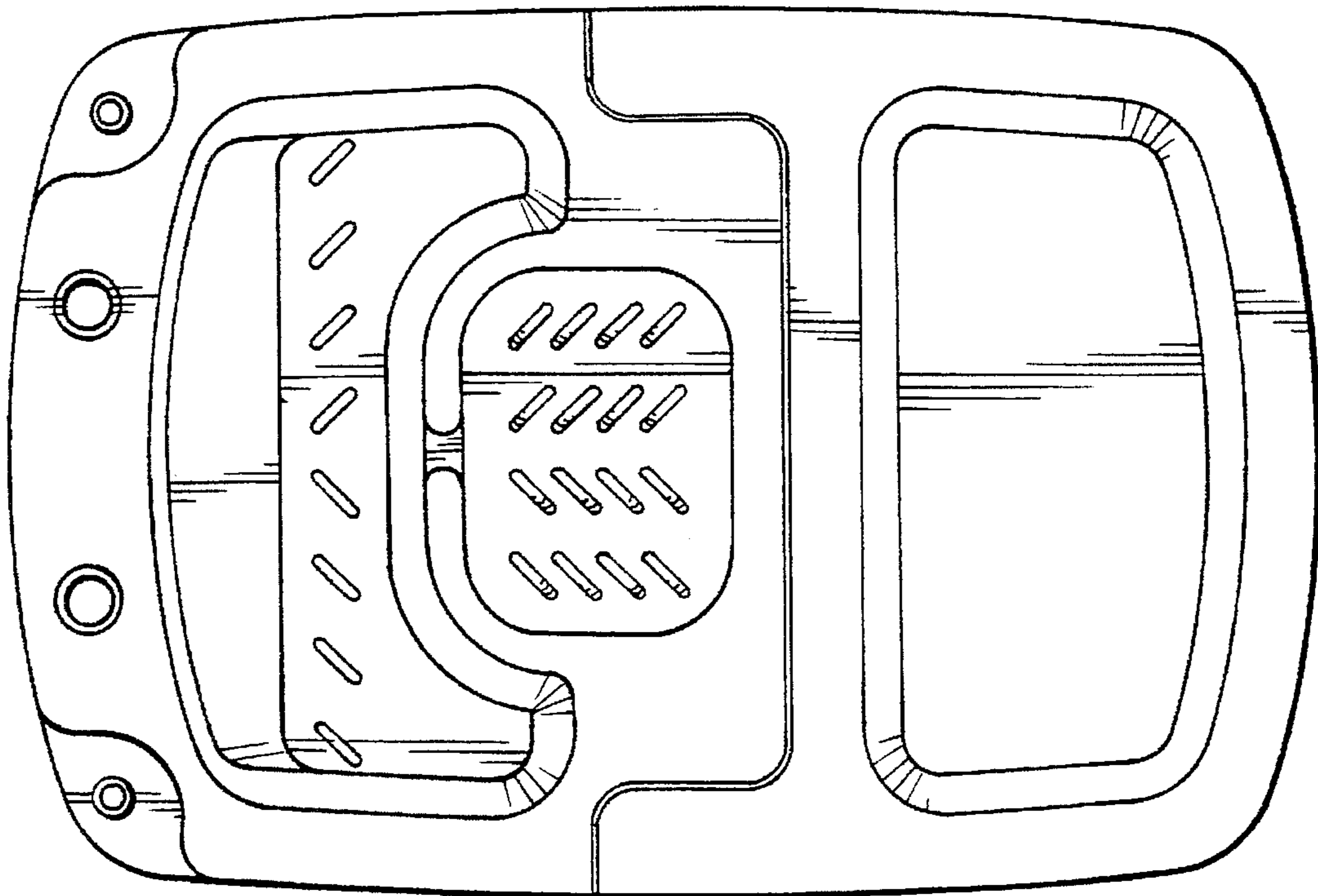


Fig - 1

Fig - 2



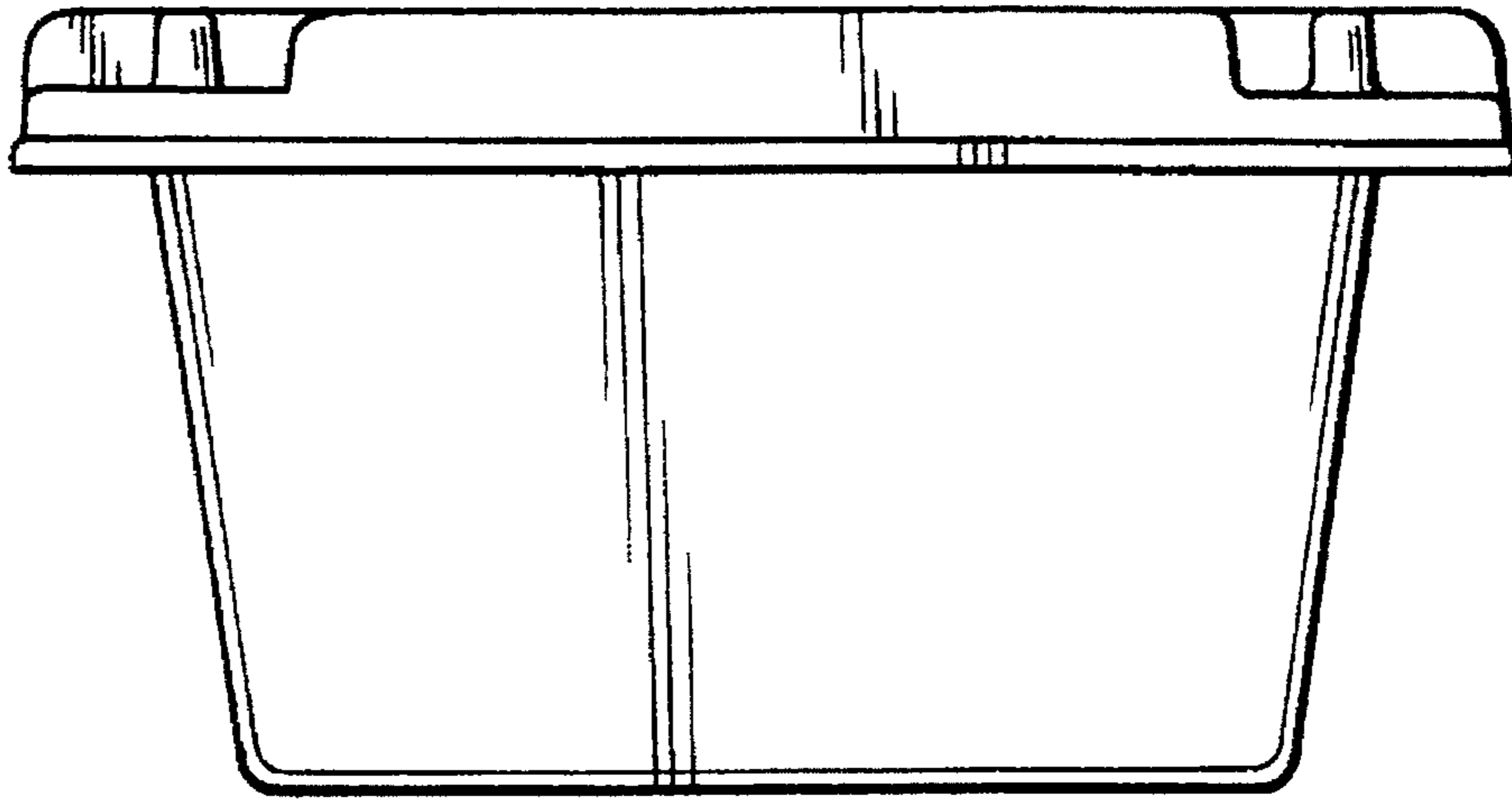


Fig - 3

Fig - 4

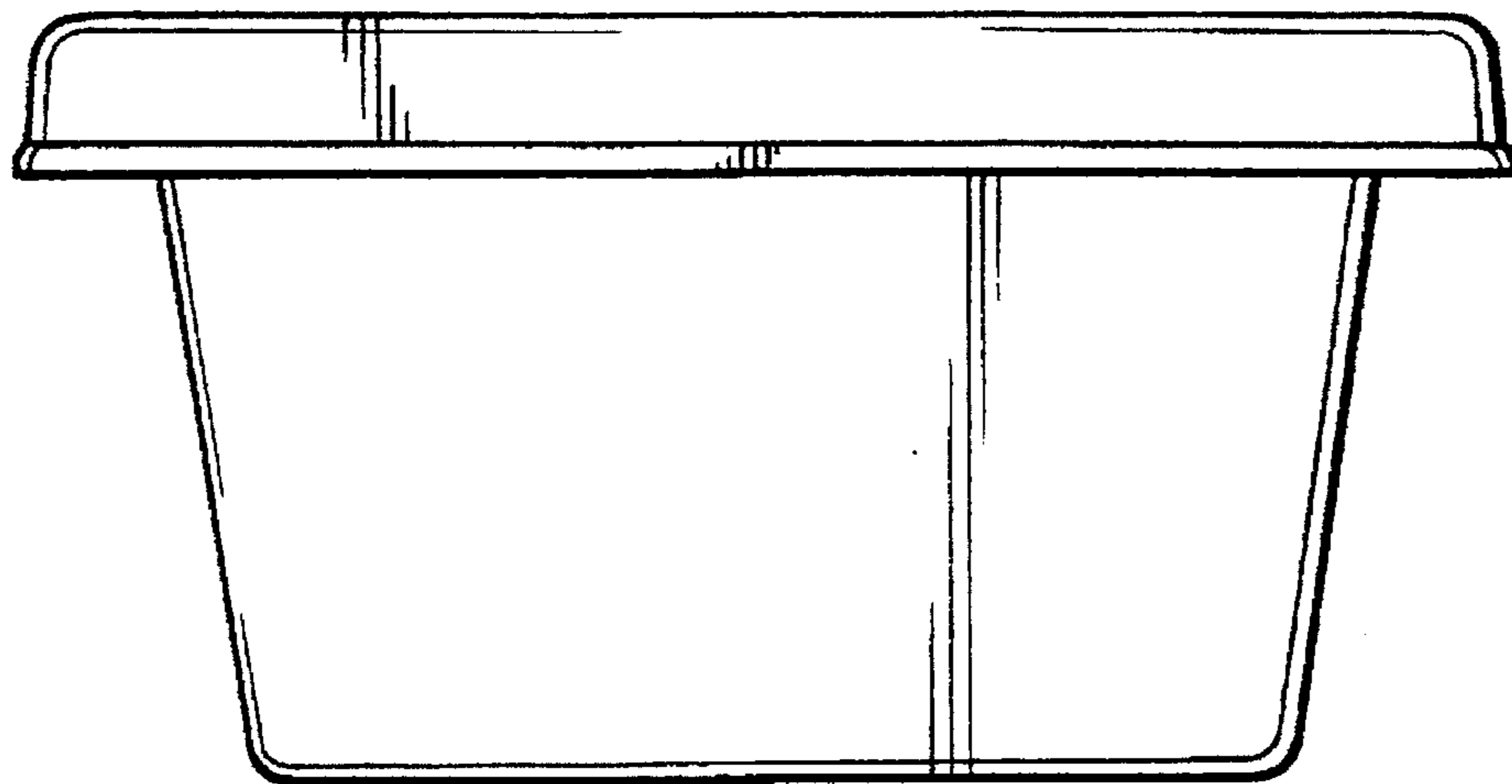


Fig - 5

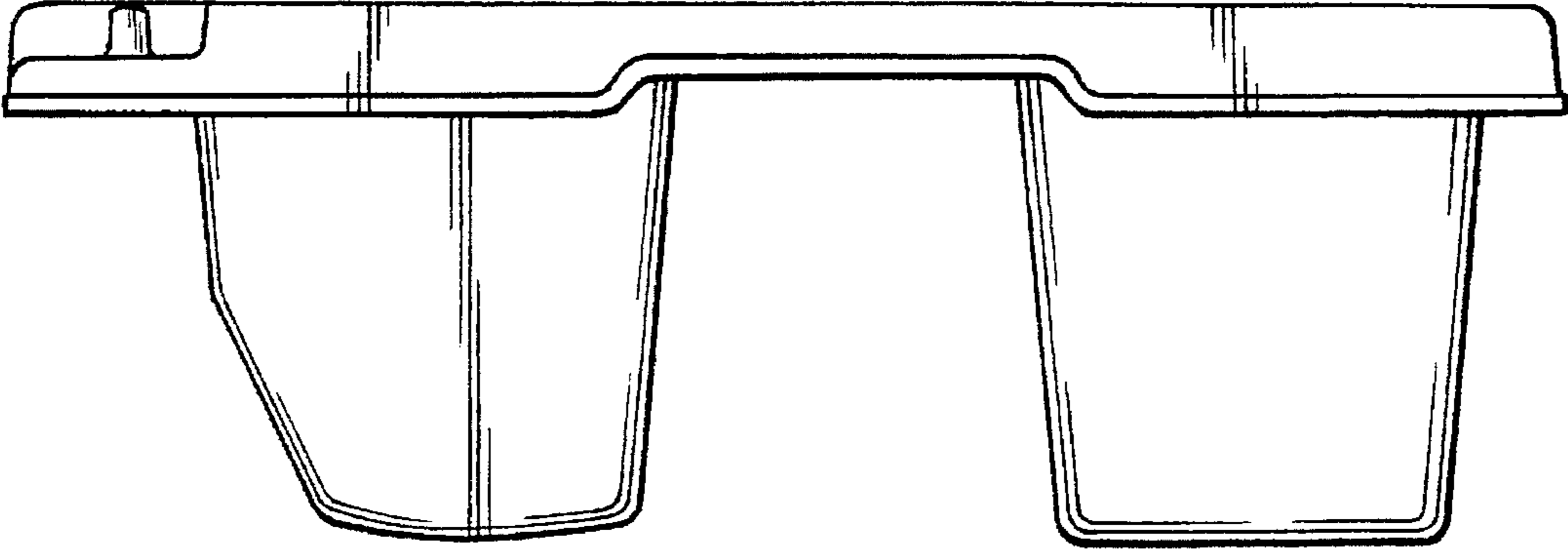


Fig - 6

