



US00D381228S

United States Patent [19]
Cockrum

[11] **Patent Number: Des. 381,228**
[45] **Date of Patent: **Jul. 22, 1997**

[54] **TWO TIER RECTANGULAR TISSUE BOX HOLDER**

[76] Inventor: **Steven A. Cockrum**, 2907 Nova Dr., Garland, Tex. 75044

[**] Term: **14 Years**

[21] Appl. No.: **47,273**

[22] Filed: **Nov. 30, 1995**

[51] LOC (6) Cl. **07-07**

[52] U.S. Cl. **D6/518; D30/121; D6/536; D7/631**

[58] **Field of Search** D6/518, 522, 536; D7/601, 603, 631; D21/14, 48; D25/112; D27/102; D28/73; D34/1; 108/901; 206/215, 308.3, 387.1, 425, 486, 503, 557, 562-564, 812; 211/13, 49.1, 71; 220/571; 227/282, 283, 284

[56] **References Cited**

U.S. PATENT DOCUMENTS

- D. 264,352 5/1982 Goutchat D7/631 X
- D. 278,295 4/1985 Thompson et al. D6/518
- D. 316,201 4/1991 Shimasaki D6/518
- D. 348,693 7/1994 Tillyer, Sr. D7/631 X
- D. 352,412 11/1994 Lopez D6/518

- D. 353,996 1/1995 Boysen D9/322
- D. 362,779 10/1995 Chen D6/518 X
- 2,580,982 1/1952 Weiss 312/50
- 2,841,275 7/1958 Schwimmer et al. 206/57
- 3,307,687 3/1967 Steinman 206/47
- 3,333,686 8/1967 Schnabel 206/47
- 4,513,862 4/1985 Mallow 206/233
- 4,524,871 6/1985 Klinger 206/233
- 4,879,442 11/1989 Giovine 206/233

Primary Examiner—Brian N. Vinson
Attorney, Agent, or Firm—Smith & Catlett, P.C.

[57] **CLAIM**

The ornamental design for a two tier rectangular tissue box, as shown and described.

DESCRIPTION

FIG. 1 is a top and front perspective view of the two tier rectangular tissue box holder;
FIG. 2 is a left end elevation view;
FIG. 3 is a top plan view;
FIG. 4 is a front elevation view;
FIG. 5 is a bottom plan view;
FIG. 6 is a right end elevation view;
FIG. 7 is a rear elevation view; and,
FIG. 8 is a top, front, and left side perspective view of the invention.

1 Claim, 2 Drawing Sheets

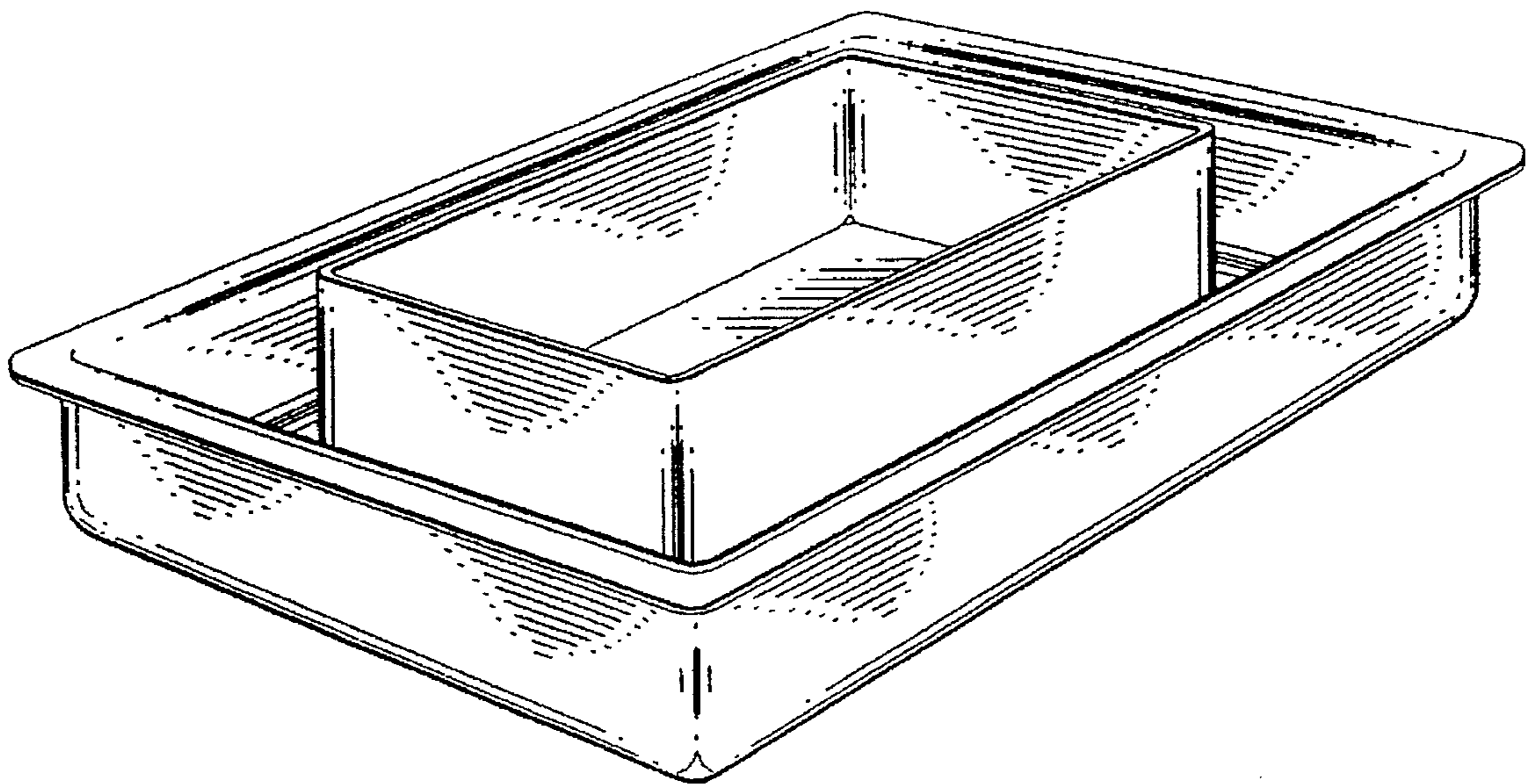


FIG. 1

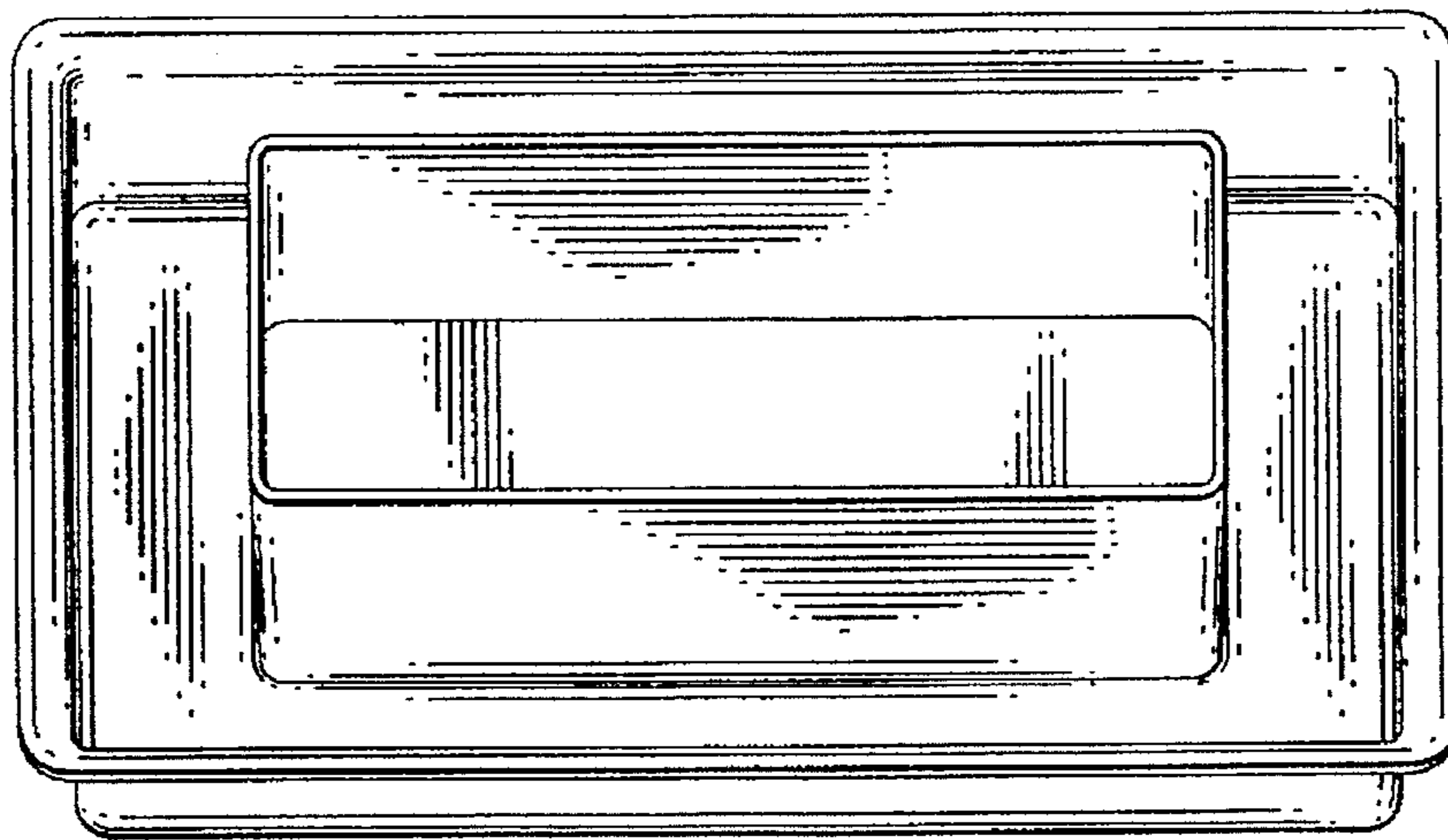


FIG. 8

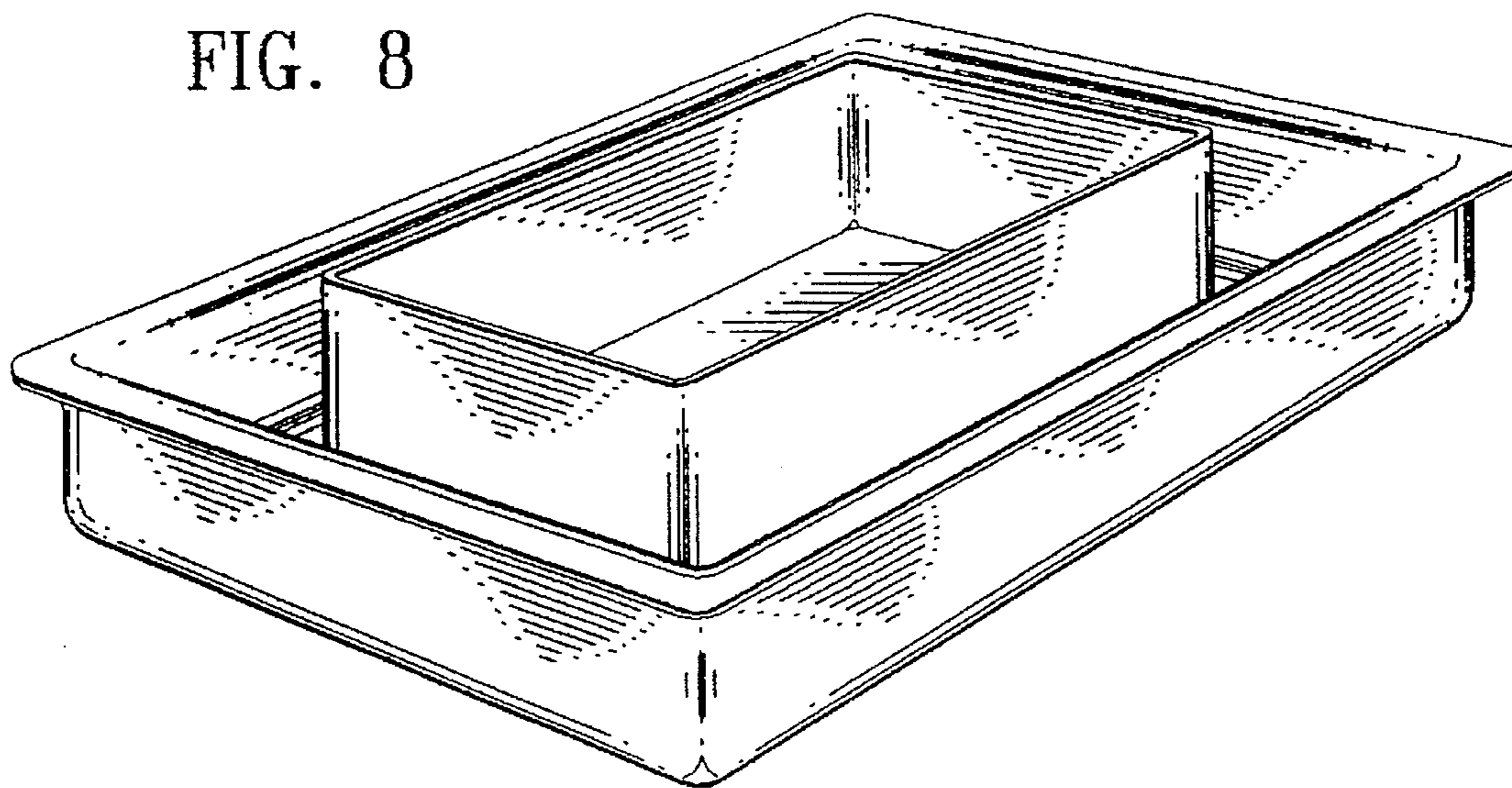


FIG. 2



FIG. 3

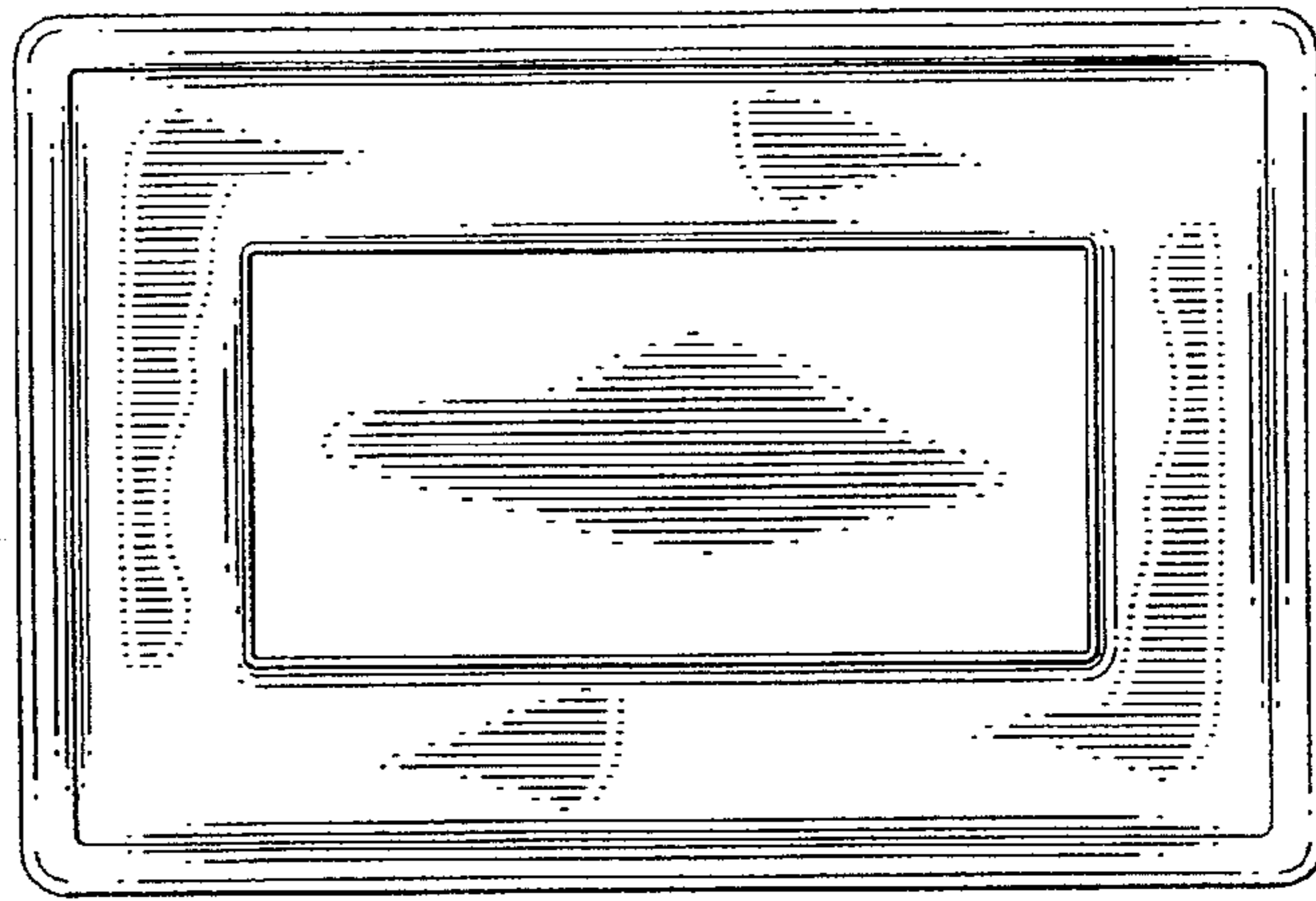


FIG. 4

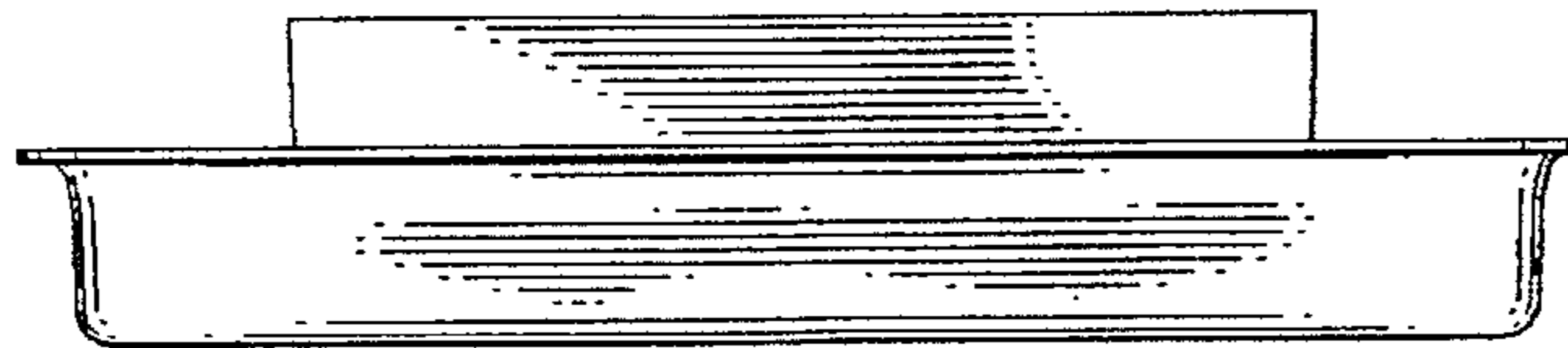


FIG. 5

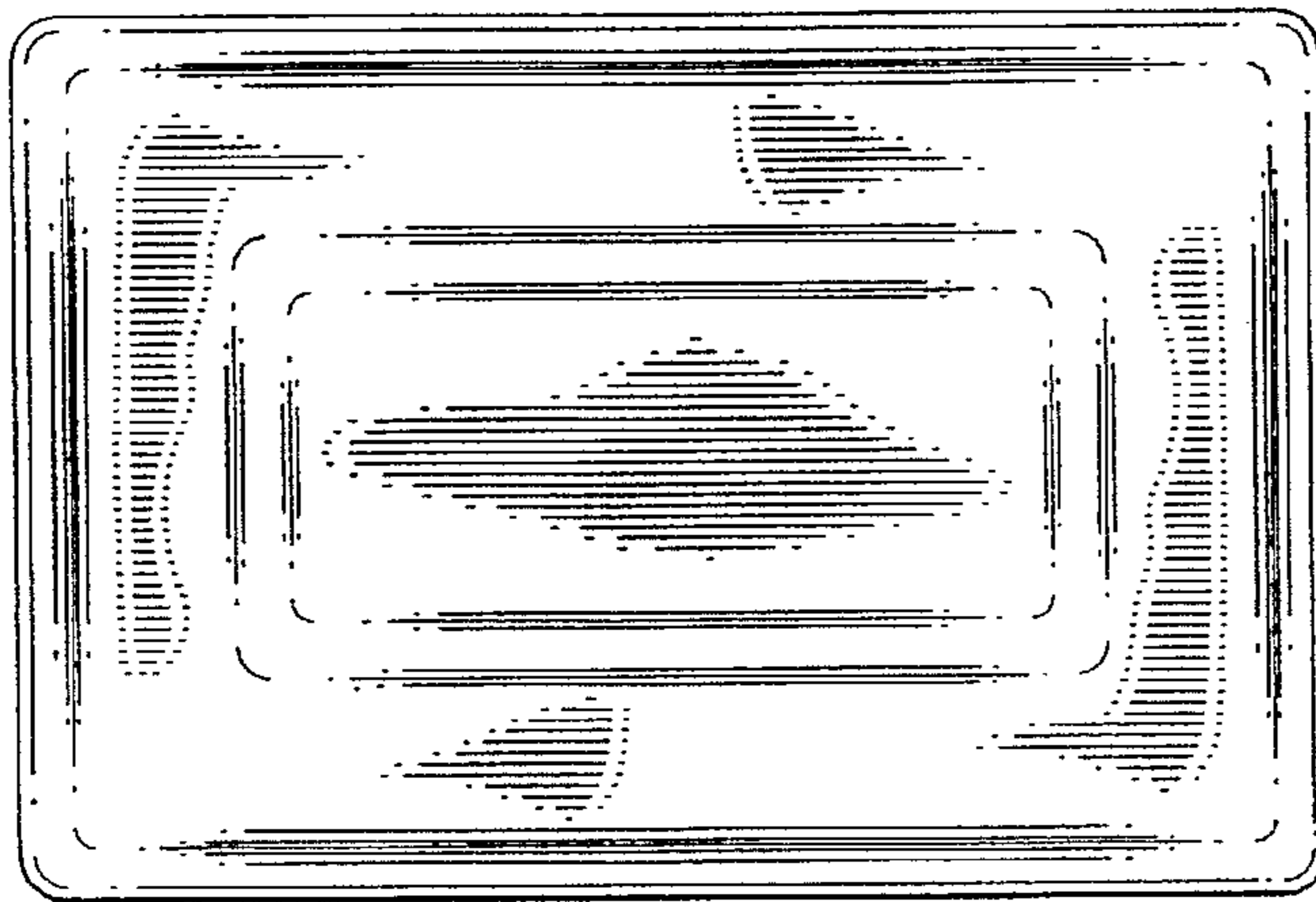


FIG. 6



FIG. 7

