



US00D381227S

# United States Patent [19] Cockrum

[11] Patent Number: **Des. 381,227**

[45] Date of Patent: **\*\*Jul. 22, 1997**

[54] **TWO TIER CUBIC TISSUE BOX HOLDER**

[76] Inventor: **Steven A. Cockrum**, 2907 Nova Dr.,  
Garland, Tex. 75044

[\*\*] Term: **14 Years**

[21] Appl. No.: **47,272**

[22] Filed: **Nov. 30, 1995**

[51] LOC (6) Cl. .... **06-99**

[52] U.S. Cl. .... **D6/518; D30/121; D6/536;  
D7/631**

[58] **Field of Search** ..... D6/518, 522, 495,  
D6/536; D7/601, 603, 631; D21/14, 48;  
D25/112; D27/102; D28/73; D34/1; 108/901;  
206/215, 308.3, 387.1, 425, 426, 503, 557,  
562-564, 812; 211/13, 49.1, 71; 220/577;  
221/282, 283, 284; D30/121, 129-130;  
248/146

[56] **References Cited**

**U.S. PATENT DOCUMENTS**

D. 264,352	5/1982	Goutchat	.....	D7/631	X
D. 278,295	4/1985	Thompson et al.	.....	D6/518	
D. 316,201	4/1991	Shimasaki	.....	D6/518	
D. 348,693	7/1994	Tillyer, Sr.	.....	D7/631	X
D. 352,412	11/1994	Lopez	.....	D6/518	

D. 353,996	1/1995	Boysen	.....	D9/322	
D. 362,779	10/1995	Chen	.....	D6/518	X
2,580,982	1/1952	Weiss	.....	312/50	
2,841,275	7/1958	Schwimmer et al.	.....	206/57	
3,307,687	3/1967	Steinman	.....	206/47	
3,333,686	8/1967	Schnabel	.....	206/47	
4,513,862	4/1985	Mallow	.....	206/233	
4,524,871	6/1985	Klinger	.....	206/233	
4,879,442	11/1989	Giovine	.....	206/233	

*Primary Examiner*—Brian N. Vinson  
*Attorney, Agent, or Firm*—Smith & Catlett, P.C.

[57] **CLAIM**

The ornamental design for a two tier cubic tissue box holder, as shown and described.

**DESCRIPTION**

FIG. 1 is a top and front perspective view of the two tier cubic tissue box holder;  
FIG. 2 is a top plan view;  
FIG. 3 is a right end elevation view;  
FIG. 4 is a front elevation view;  
FIG. 5 is a left end elevation view;  
FIG. 6 is a bottom plan view;  
FIG. 7 is a rear elevation view; and,  
FIG. 8 is a top, front, and left side perspective view of the invention.

**1 Claim, 2 Drawing Sheets**

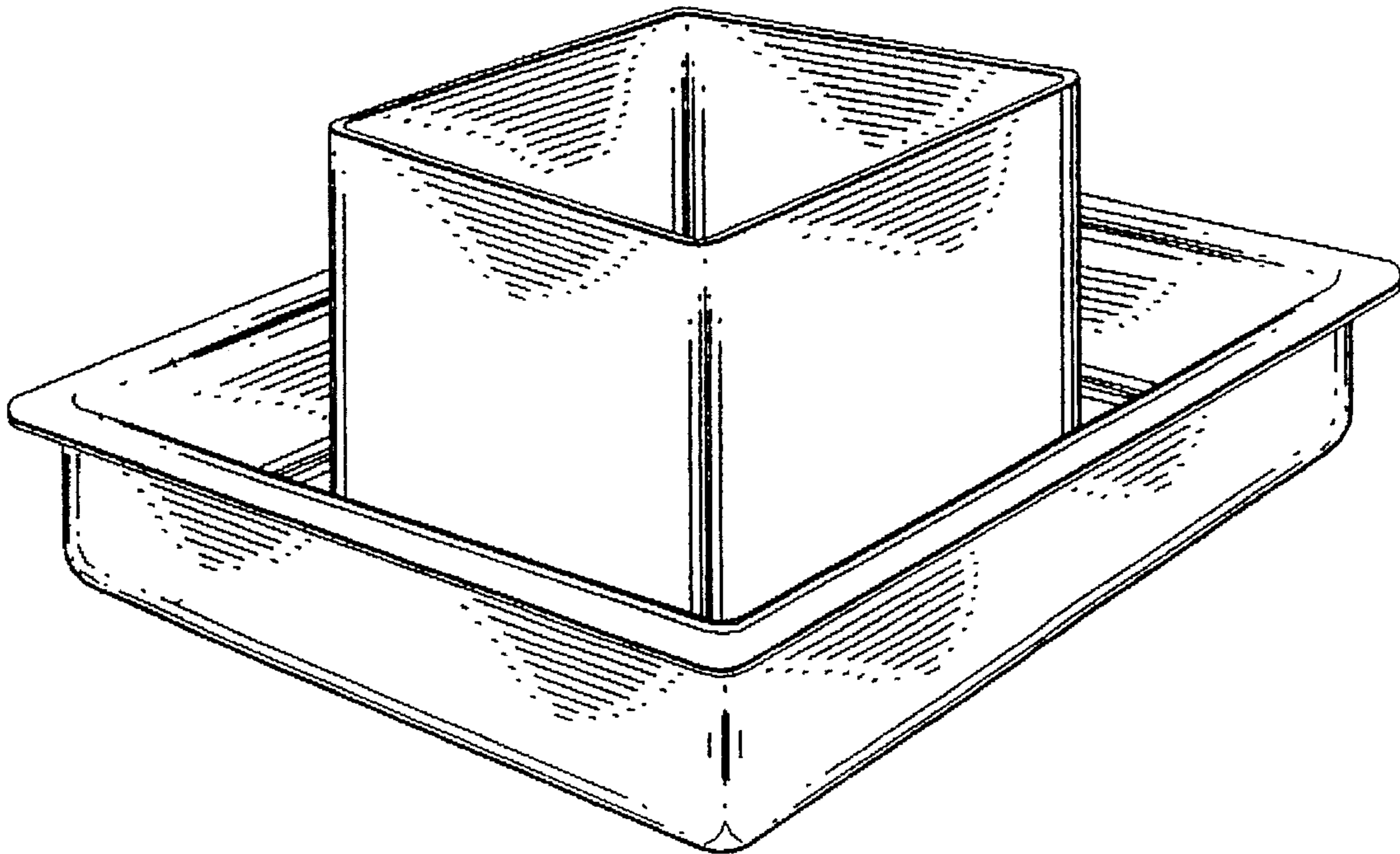


FIG. 1

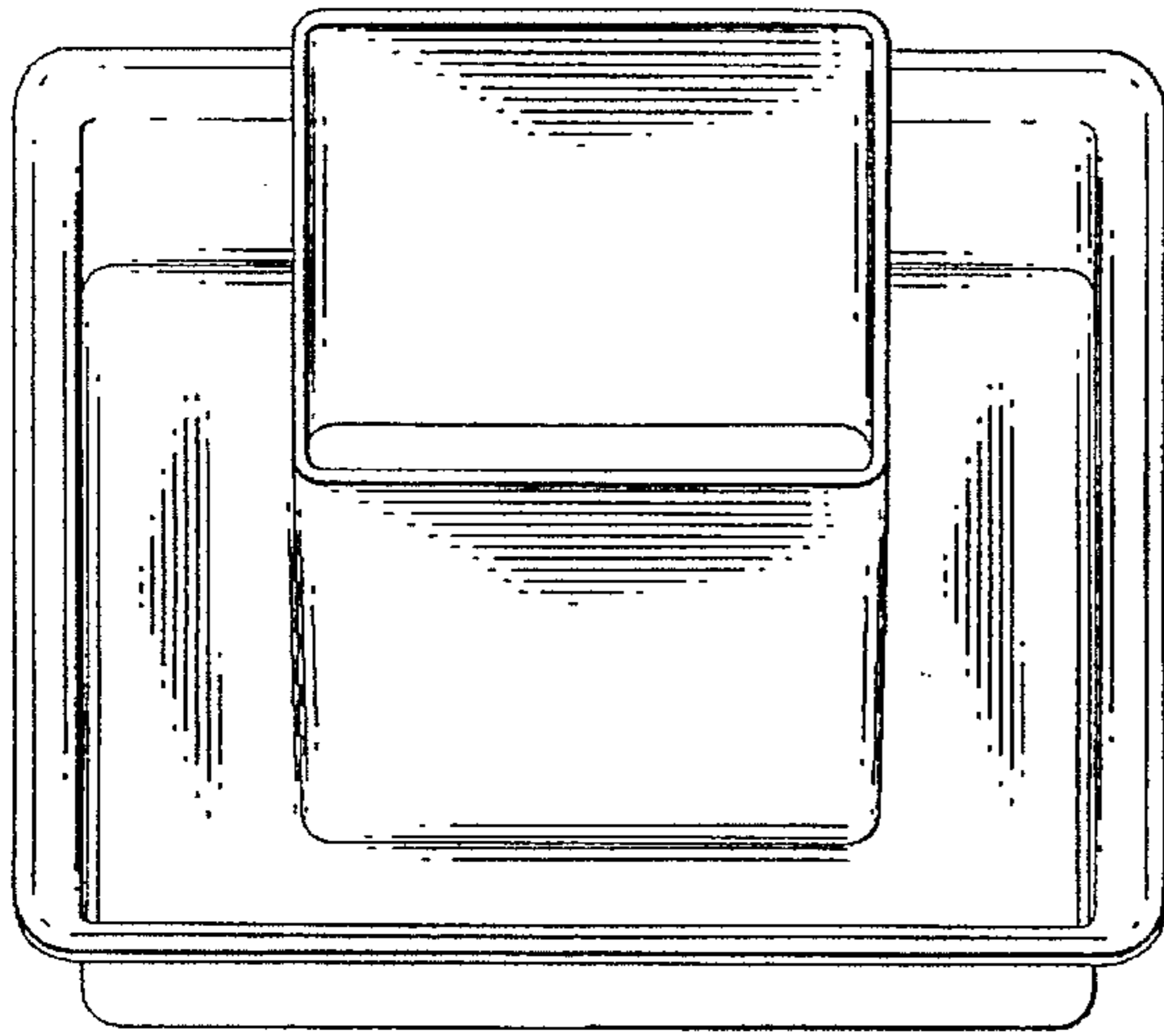


FIG. 2

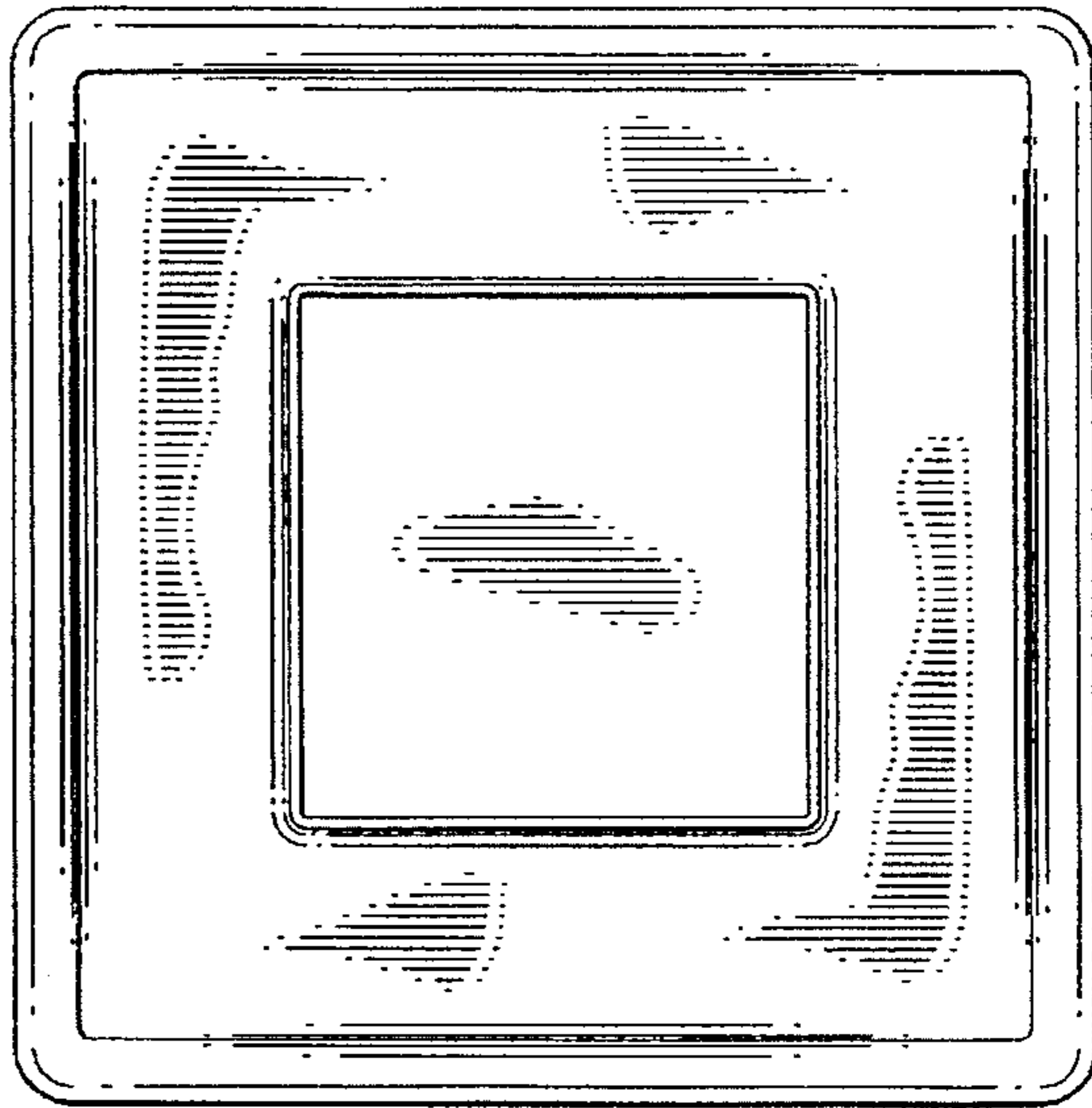


FIG. 8

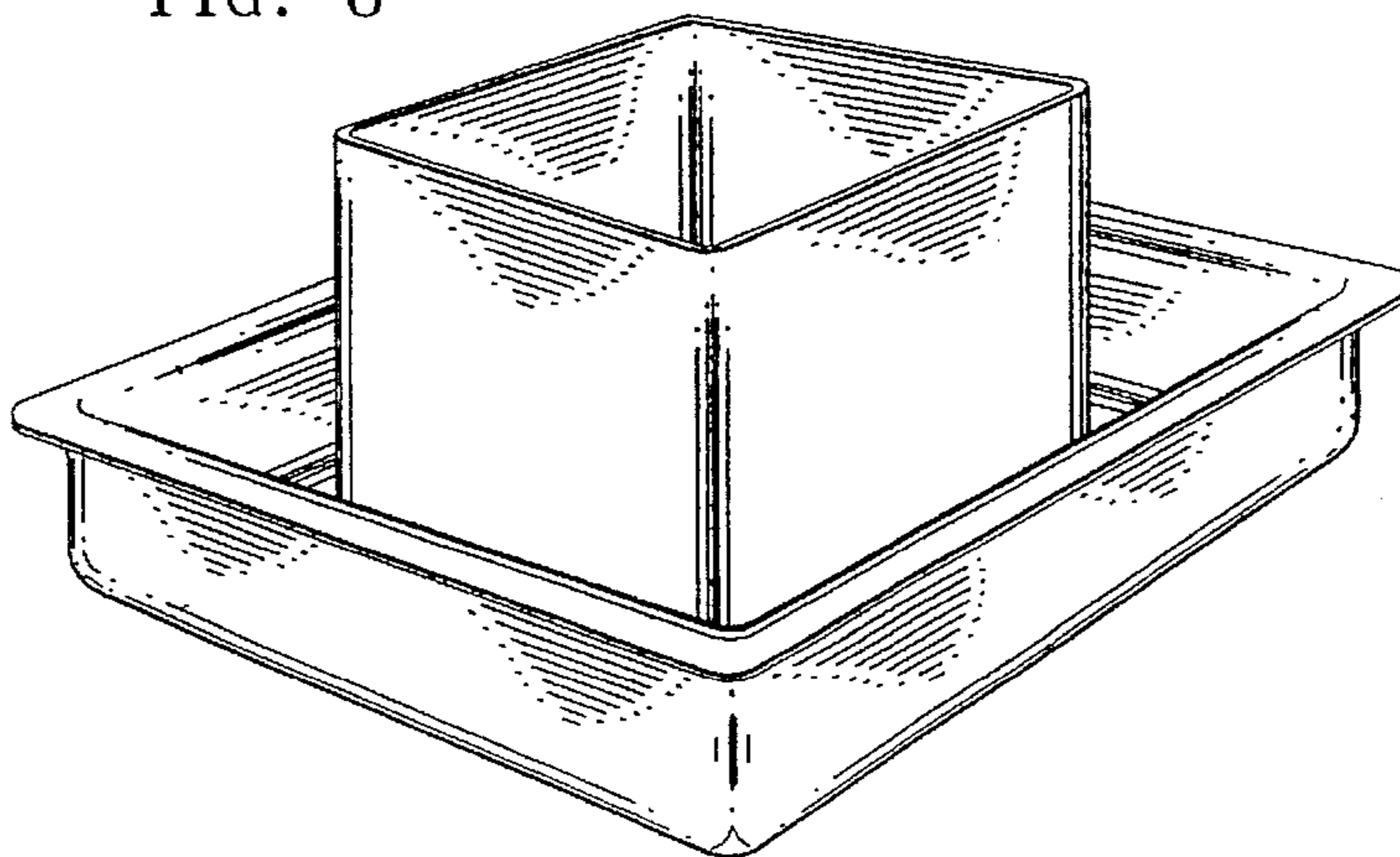


FIG. 3

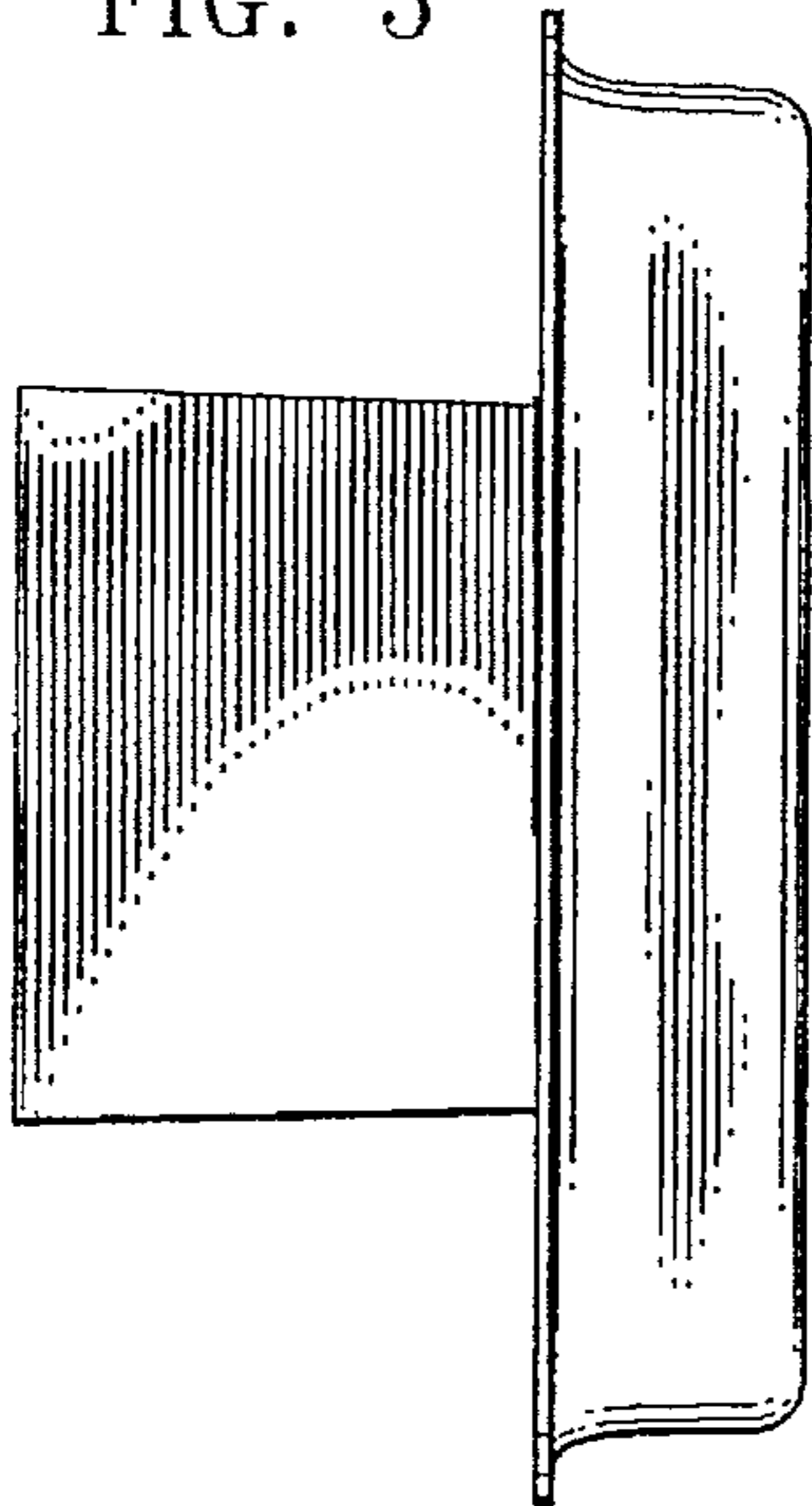


FIG. 4

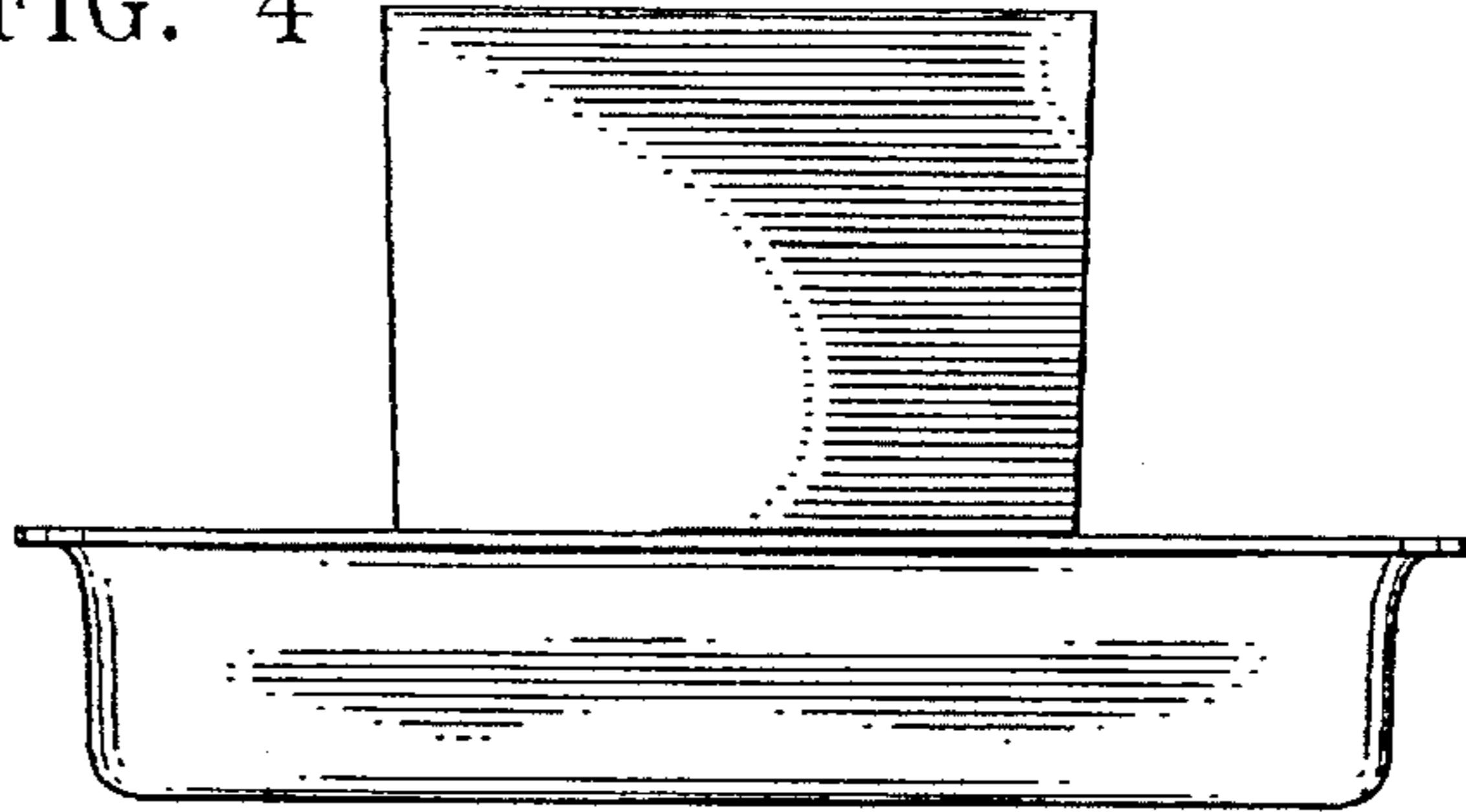


FIG. 5

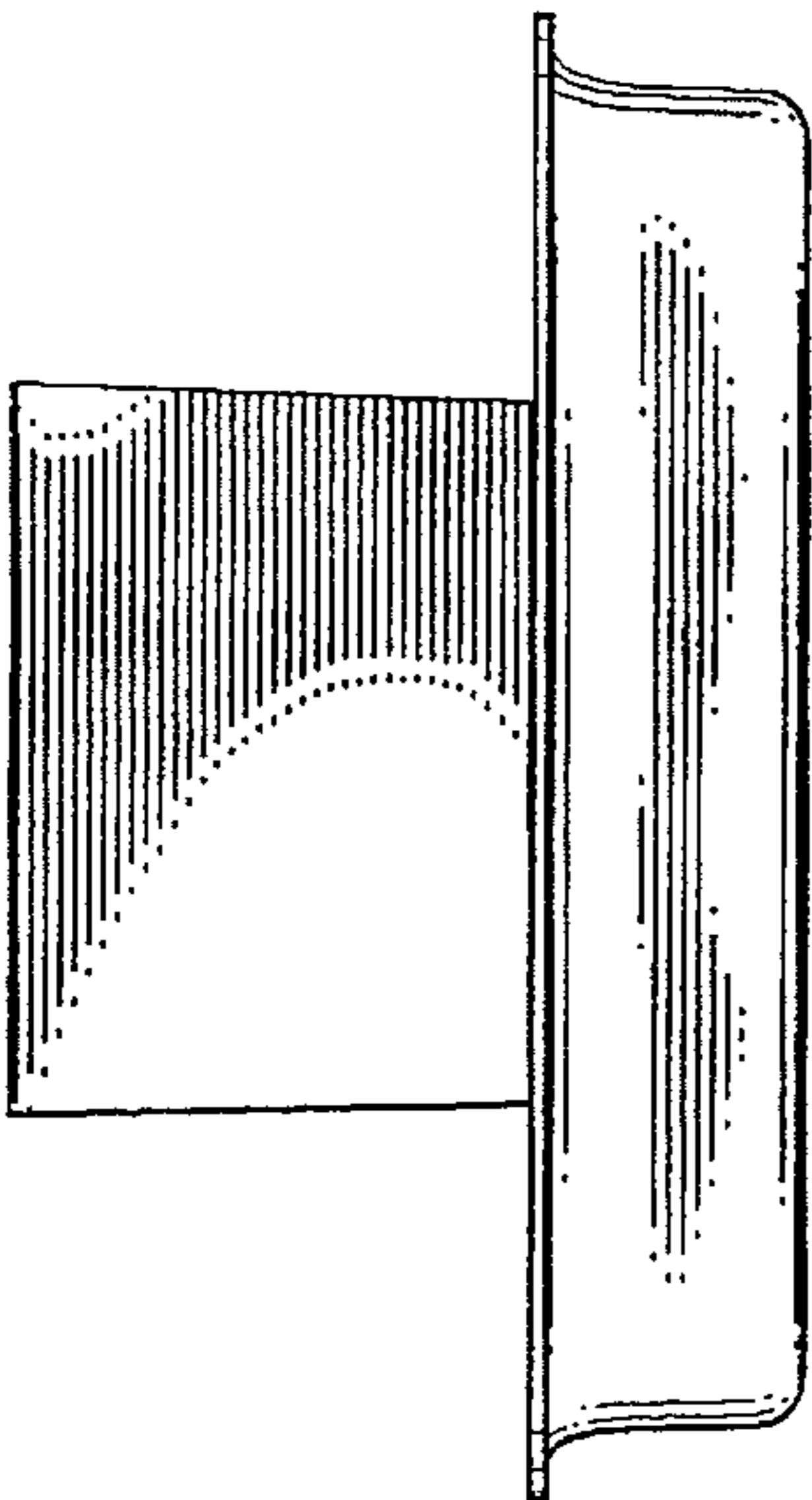


FIG. 6

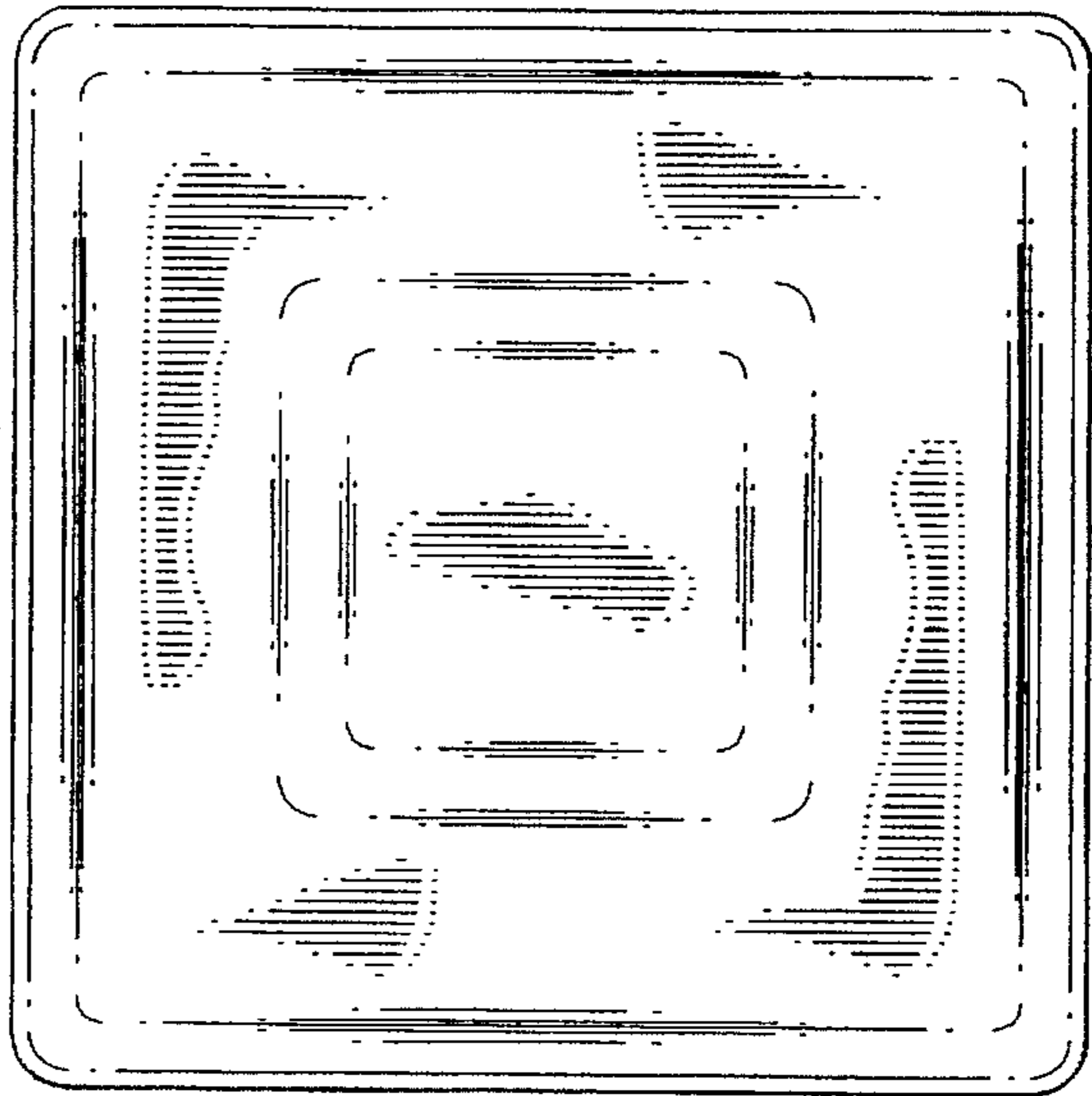


FIG. 7

