



US00D381225S

United States Patent [19]

Malik

[11] Patent Number: **Des. 381,225**

[45] Date of Patent: ****Jul. 22, 1997**

[54] MODULAR SHOE RACK

[76] Inventor: **Vijay S. Malik**, 4405 Fairmount Ave.,
Kansas City, Mo. 64111

[**] Term: **14 Years**

[21] Appl. No.: **43,499**

[22] Filed: **Sep. 5, 1995**

[51] LOC (6) Cl. **06-99**

[52] U.S. Cl. **D6/513**

[58] Field of Search D6/512-514, 553,
D6/567, 320; 211/30-32, 85, 87, 89, 96,
35, 36, 34, 107, 113; D8/363, 373

[56] References Cited

U.S. PATENT DOCUMENTS

D. 121,112	6/1940	Deja	211/35
D. 354,412	1/1995	Emery	D6/514 X
D. 369,910	5/1996	McCarty	D6/320
1,039,694	10/1912	Burton	211/36
1,100,072	6/1914	Hammond	211/36
1,401,356	12/1921	Parchert	211/36
1,432,391	10/1922	Green et al.	211/36
1,623,244	4/1927	Hooper	211/36
3,900,110	8/1975	Soroka	211/113 X
3,913,745	10/1975	Weiss	211/34
4,688,681	8/1987	Bergeron	211/36
4,697,713	10/1987	Pryor	211/189
5,172,816	12/1992	Kline	211/37

FOREIGN PATENT DOCUMENTS

836636 6/1960 United Kingdom D8/363 X

Primary Examiner—Brian N. Vinson
Attorney, Agent, or Firm—Kenneth W. Iles

[57] CLAIM

The ornamental design for a modular shoe rack, as shown and described.

DESCRIPTION

FIG. 1 is a bottom, front, and right side perspective view of a modular shoe rack showing my new design;

FIG. 2 is an exploded top, rear, and left side perspective view thereof, with the horizontal members shown broken-away for convenience of illustration;

FIG. 3 is an enlarged bottom, front, and right side perspective view of a vertical frame element thereof;

FIG. 4 is an enlarged top, rear, and left side perspective view of a vertical frame element thereof;

FIG. 5 is a top plan view of a vertical frame element thereof;

FIG. 6 is a left side elevational view of a vertical frame element thereof;

FIG. 7 is a bottom plan view of a vertical frame element thereof;

FIG. 8 is a front elevational view of a vertical frame element thereof;

FIG. 9 is a rear elevational view of a vertical frame element thereof;

FIG. 10 is an enlarged and exploded fragmentary top, rear, and left side perspective view of the bottom of the vertical frame element thereof, showing a second frame element in a detached condition;

FIG. 11 is an enlarged fragmentary top, rear, and left side perspective view of the bottom of the vertical frame element thereof, showing a second frame element in a partially attached condition;

FIG. 12 is an enlarged fragmentary top, rear, and left side perspective view of the bottom of the vertical frame element thereof, showing a second frame element in a fully attached condition;

FIG. 13 is an enlarged fragmentary vertical cross-sectional view thereof, taken along the direction of line 13—13 of FIG. 12;

FIG. 14 is a further enlarged fragmentary perspective view showing the elements in FIG. 10;

FIG. 15 is a further enlarged fragmentary rear elevational view of the portion of a vertical frame element thereof;

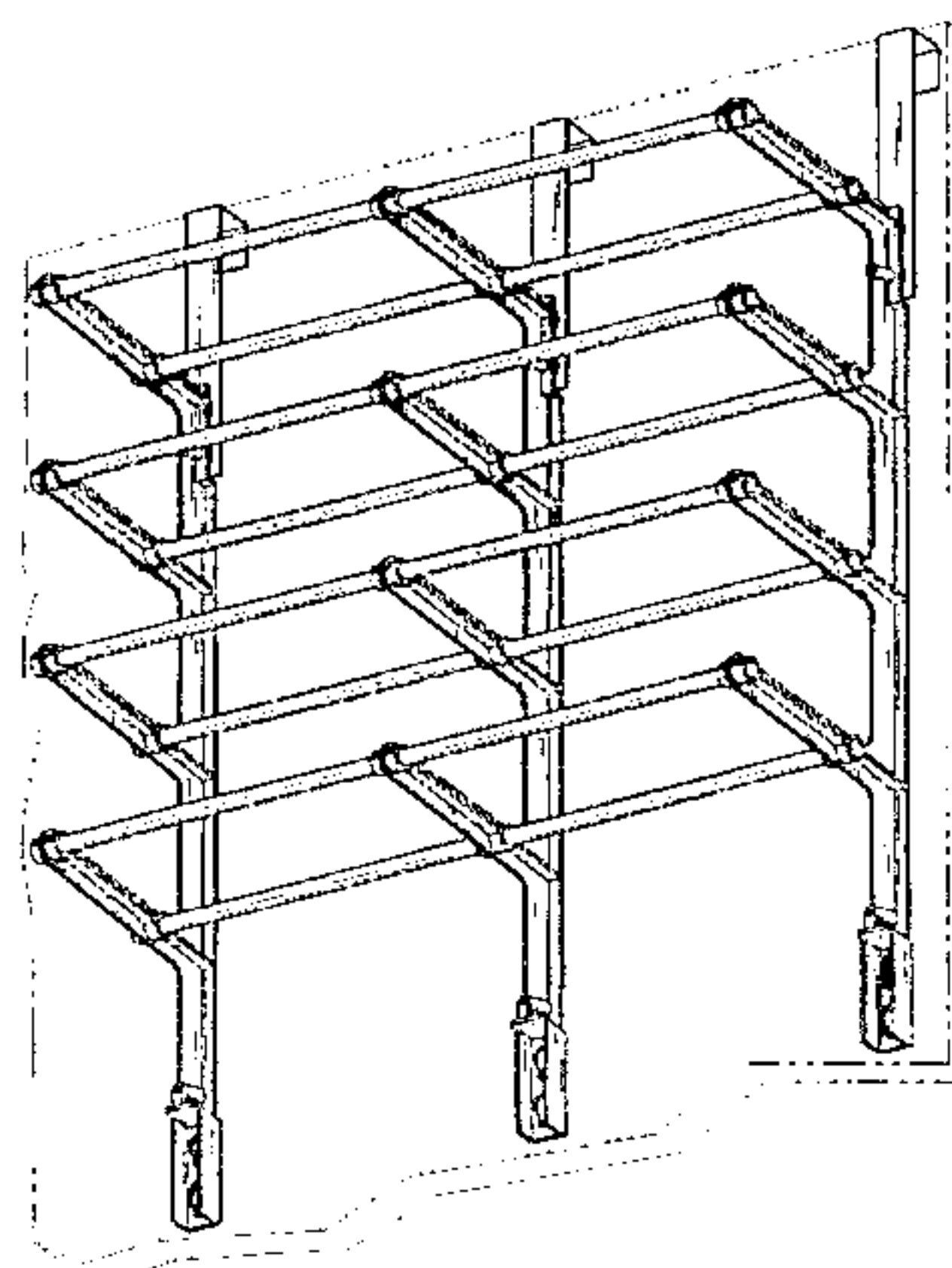
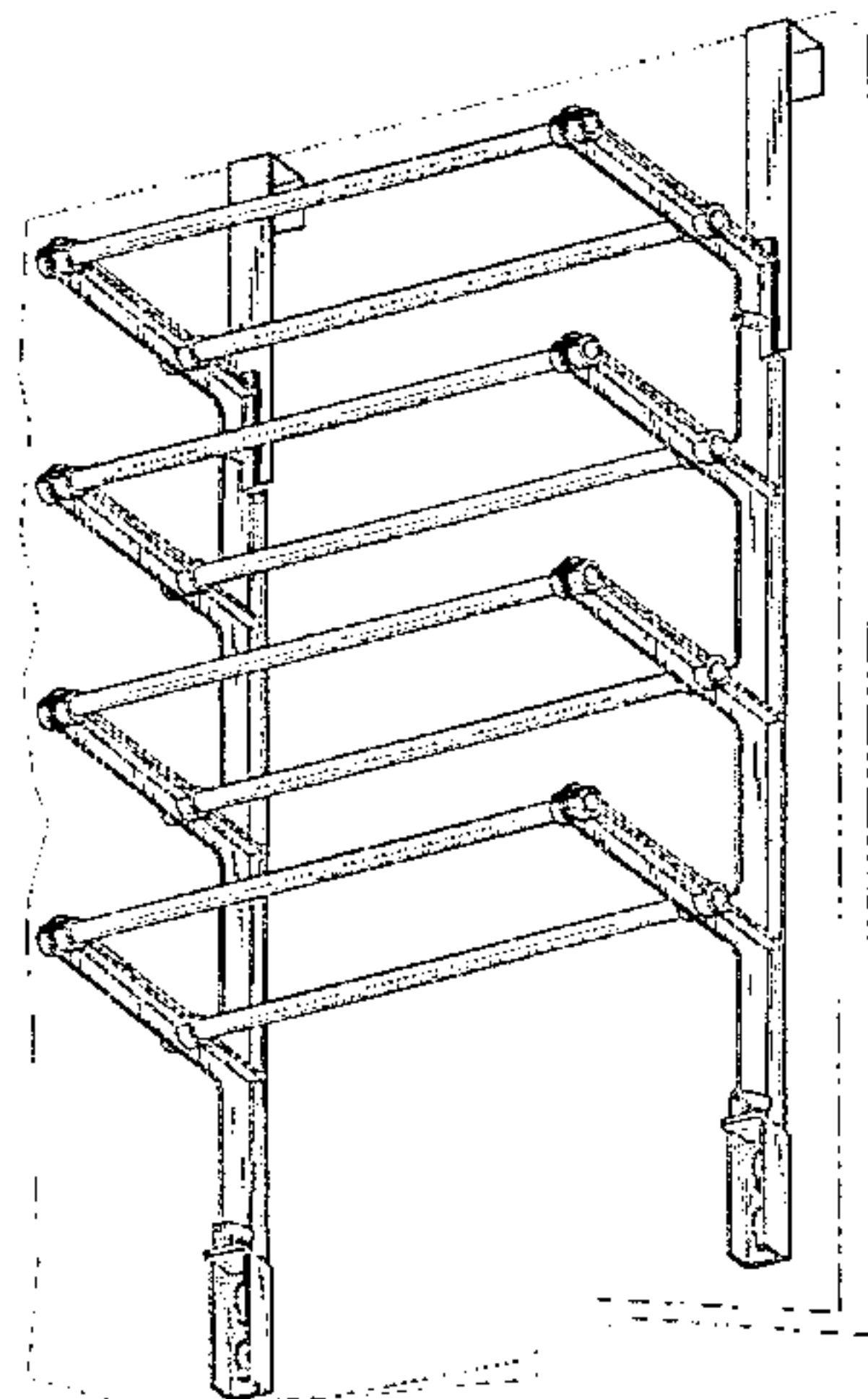
FIG. 16 is a bottom, front, and right side perspective view of the hook element attachable to the top of a vertical frame element thereof; and,

FIG. 17 is a bottom, front, and right side perspective view of a second embodiment thereof, the only difference residing in the length of the horizontal elements and in the number of vertical elements.

The broken-line disclosure of various elements in the views is for illustrative purposes only and forms no part of the claimed design.

Elements or portions of elements omitted in some views is for convenience and clarity of illustration.

1 Claim, 7 Drawing Sheets



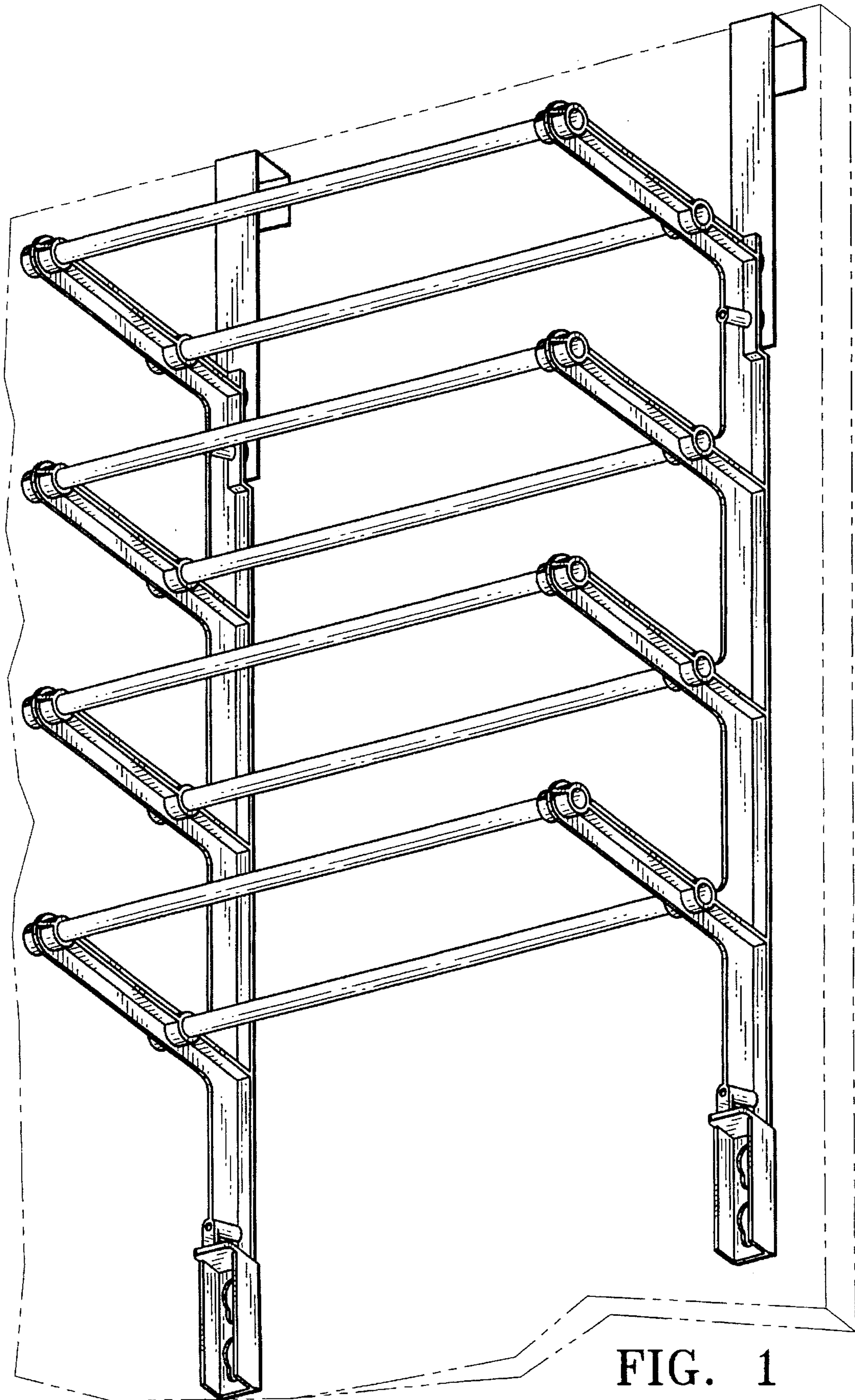


FIG. 1

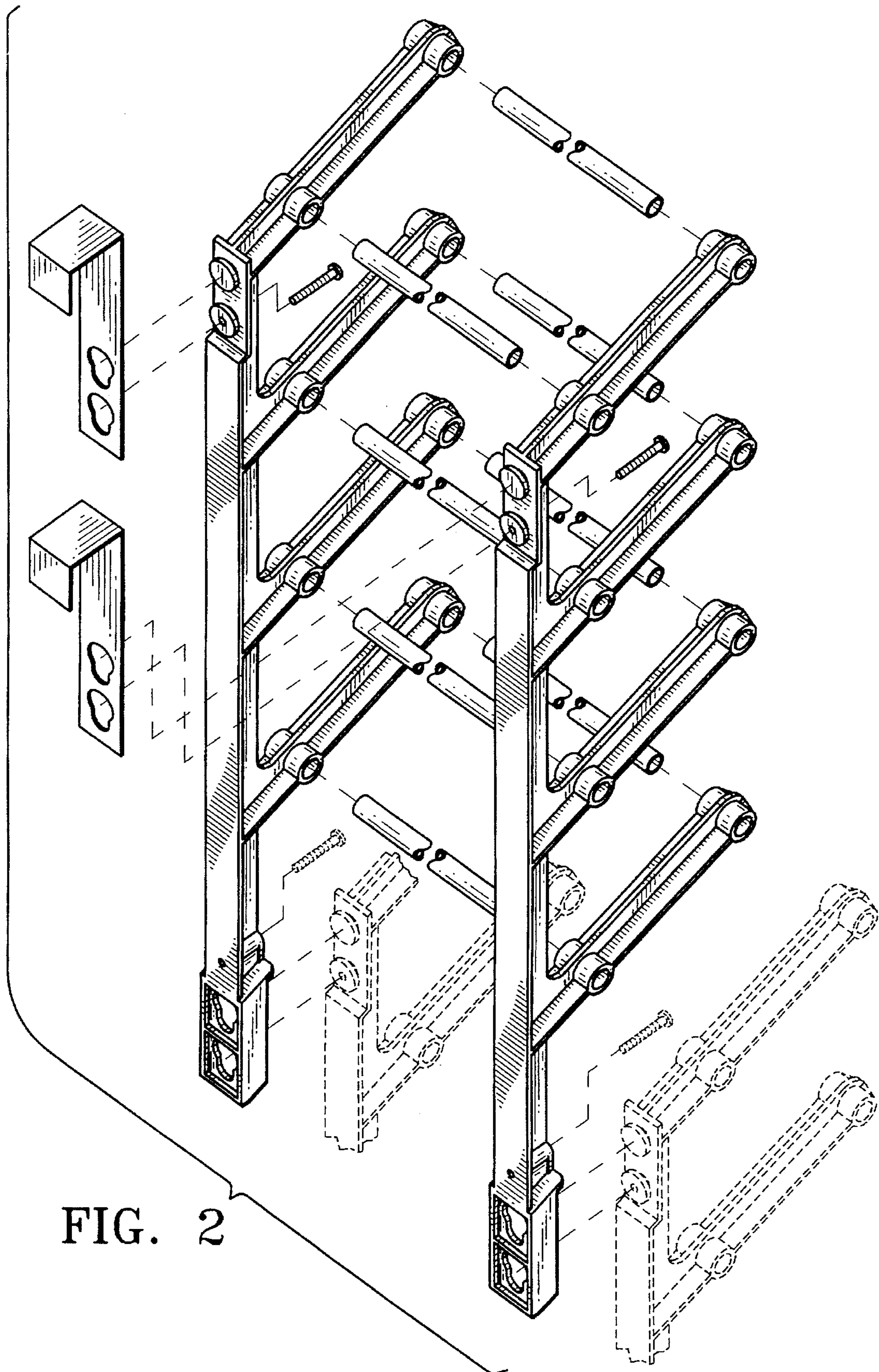


FIG. 2

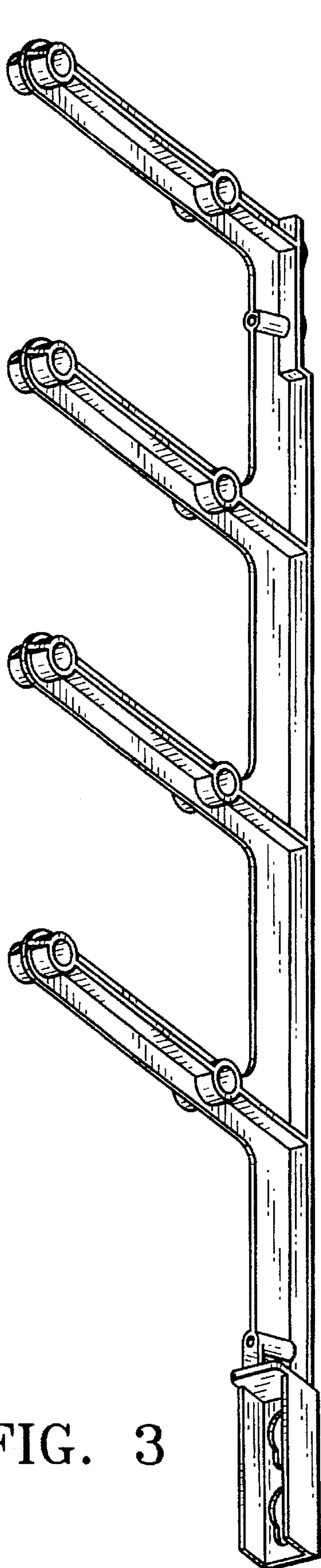


FIG. 3

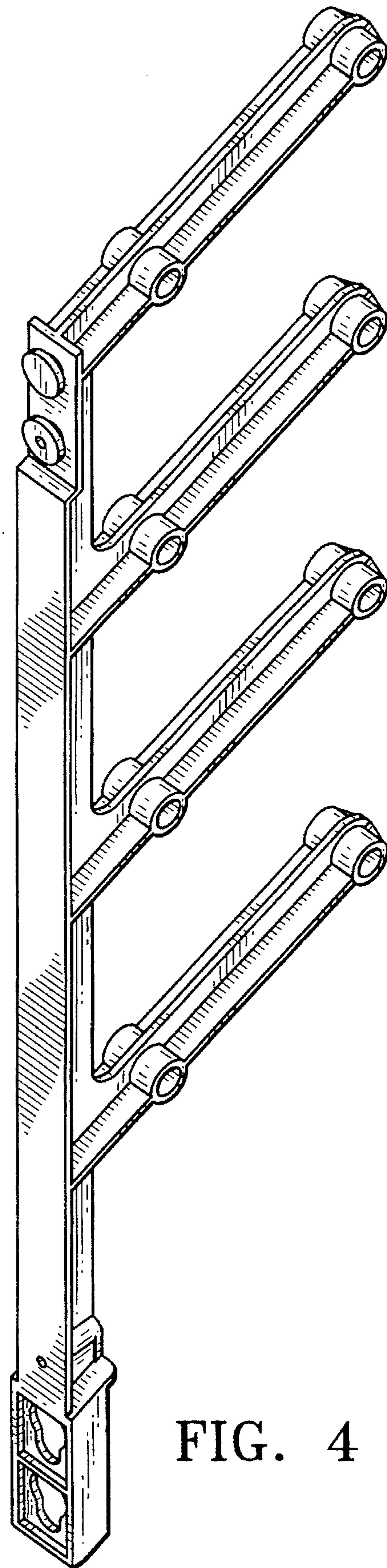


FIG. 4

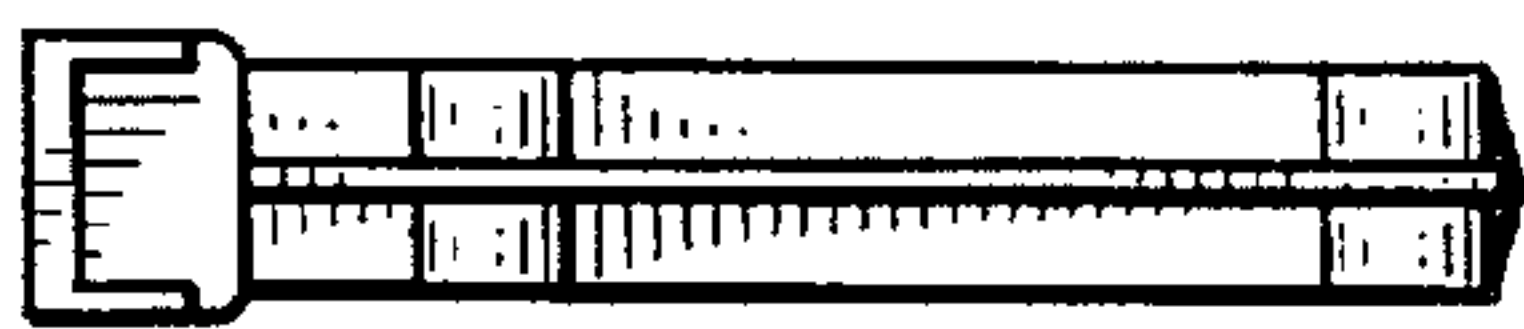
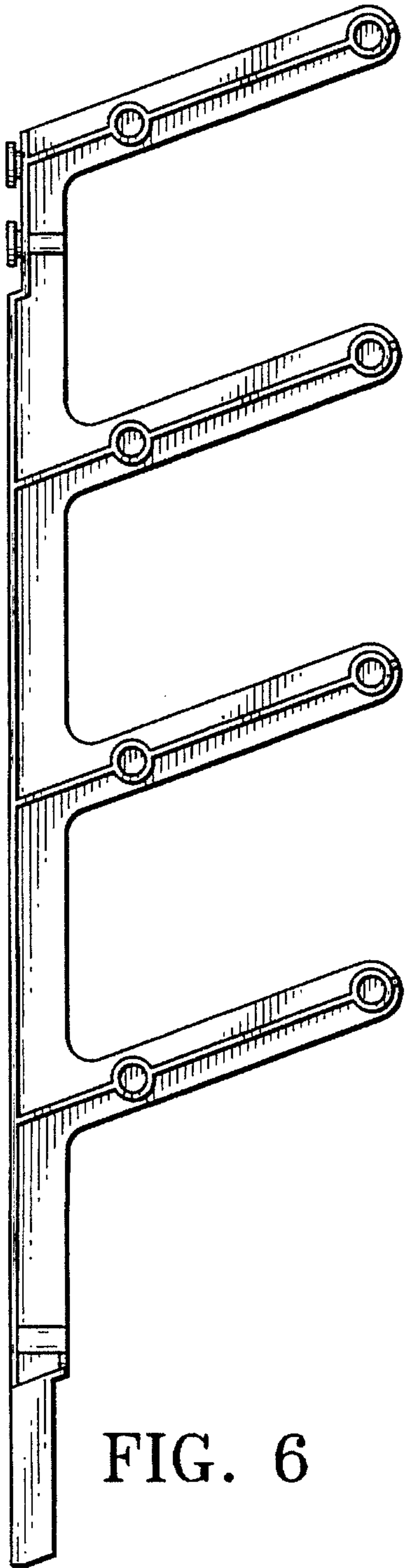
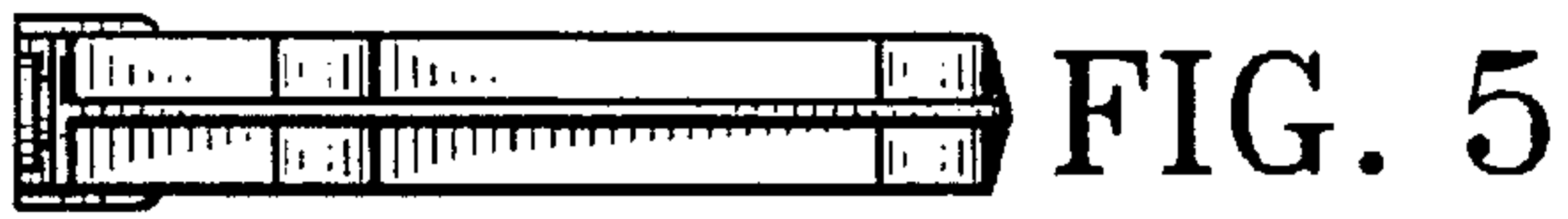


FIG. 8

FIG. 9

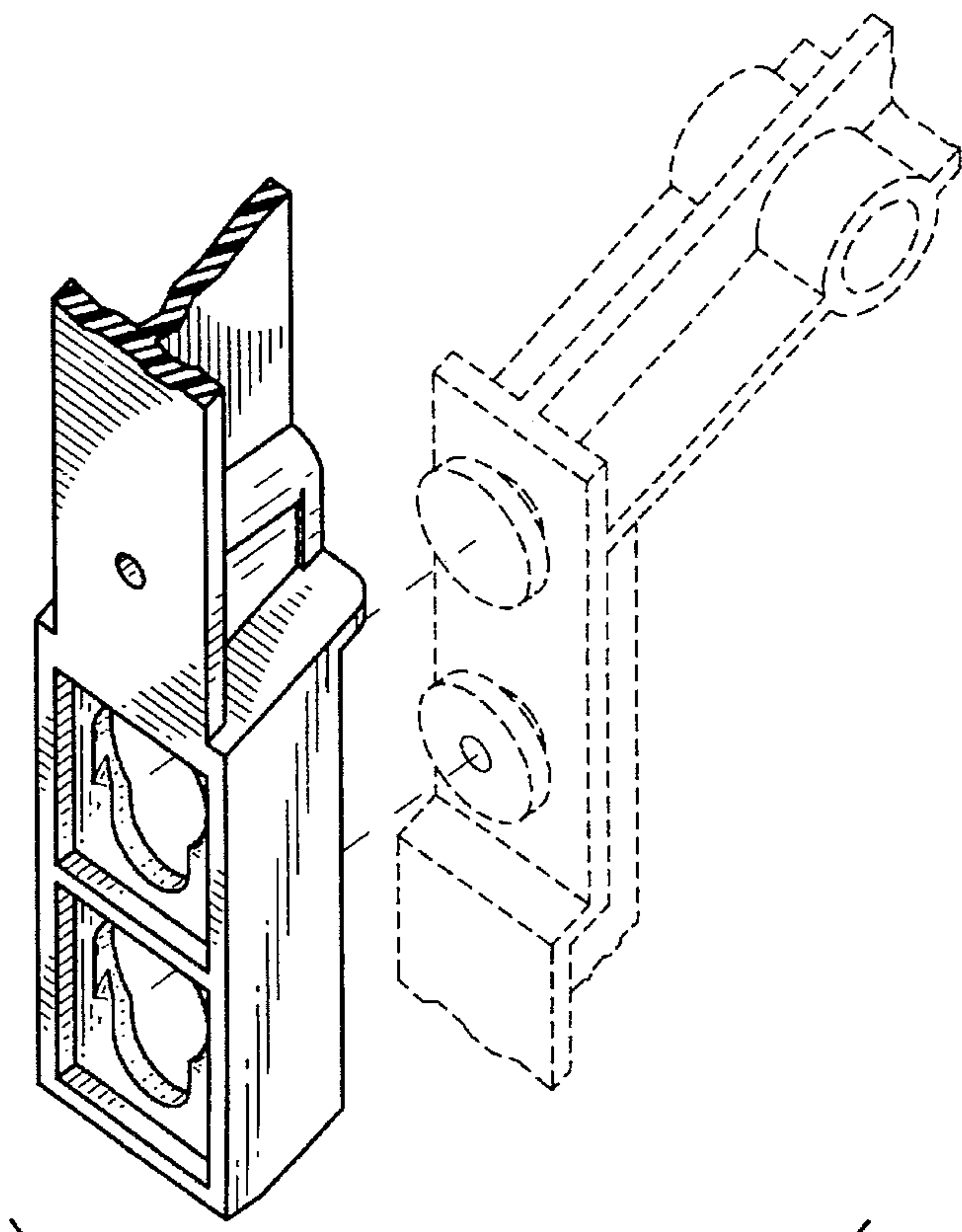


FIG. 10

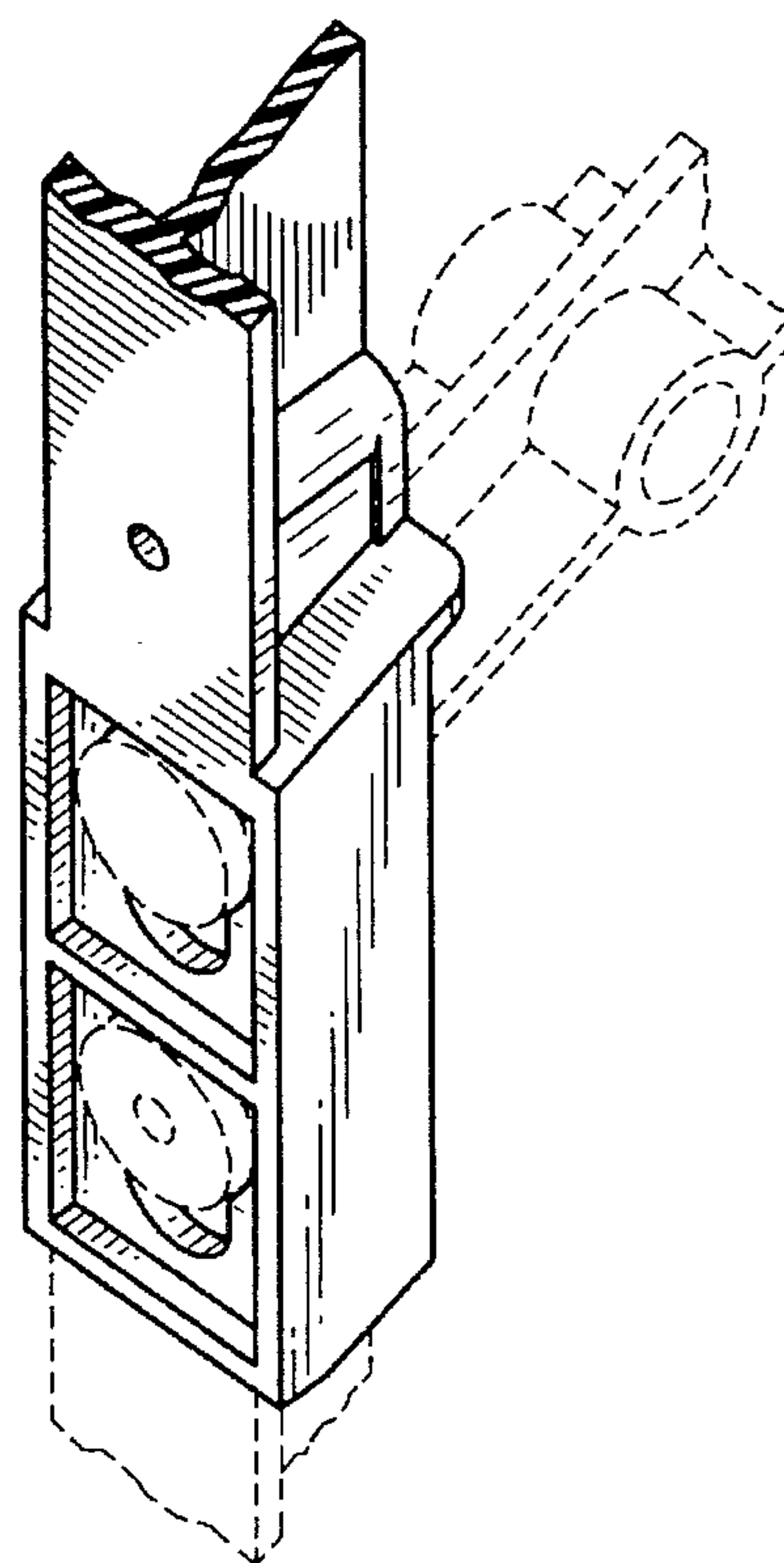


FIG. 11

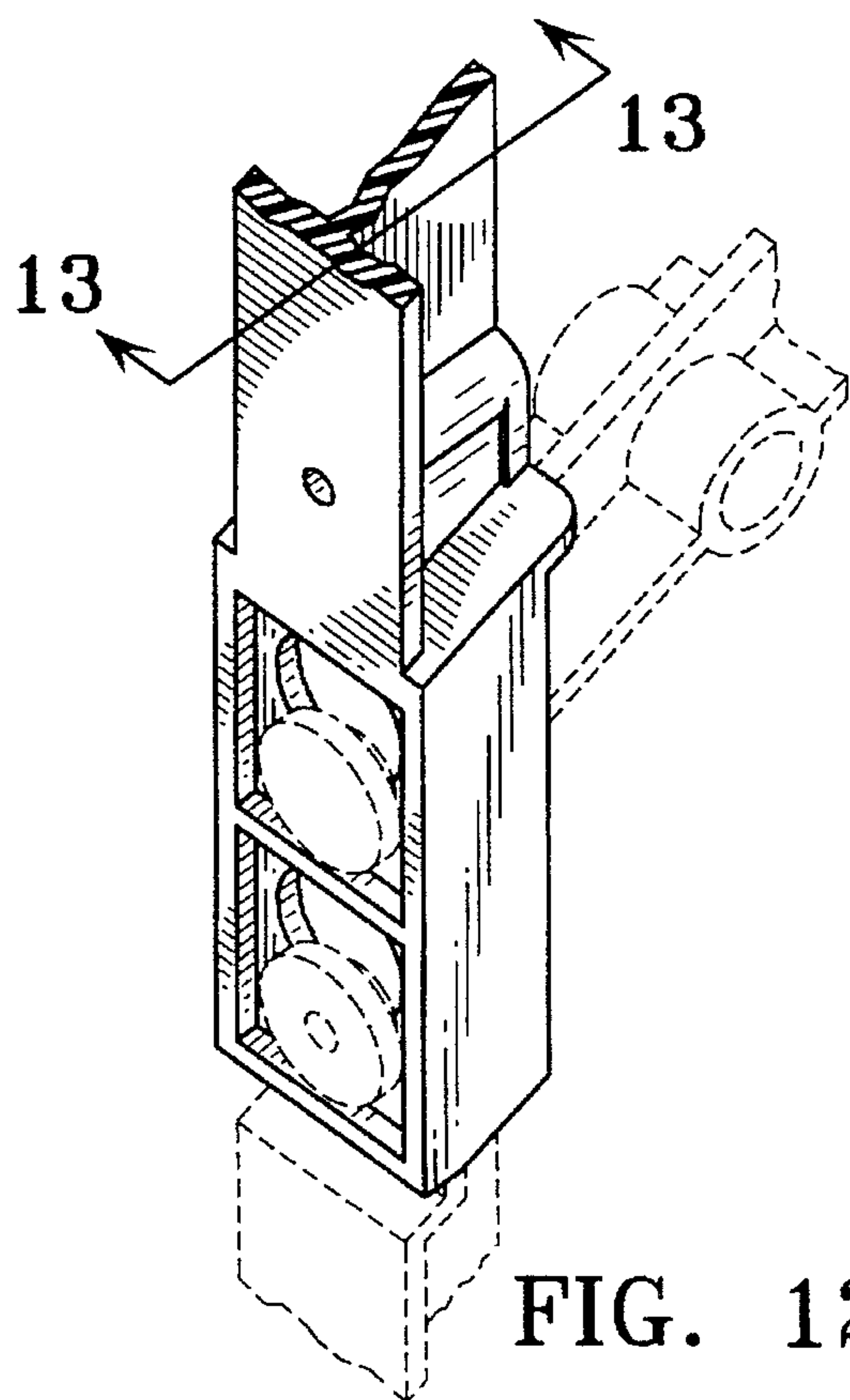


FIG. 12

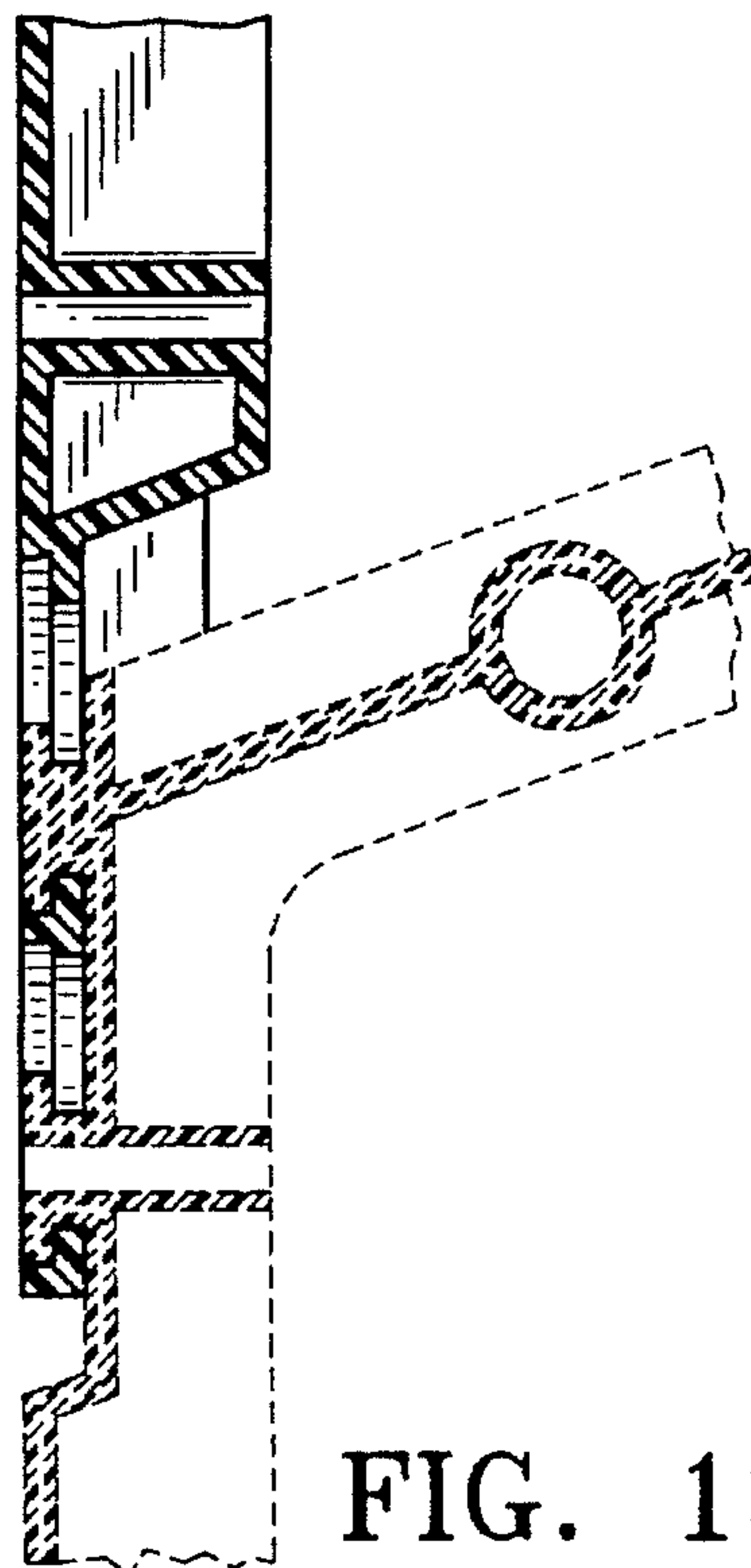


FIG. 13

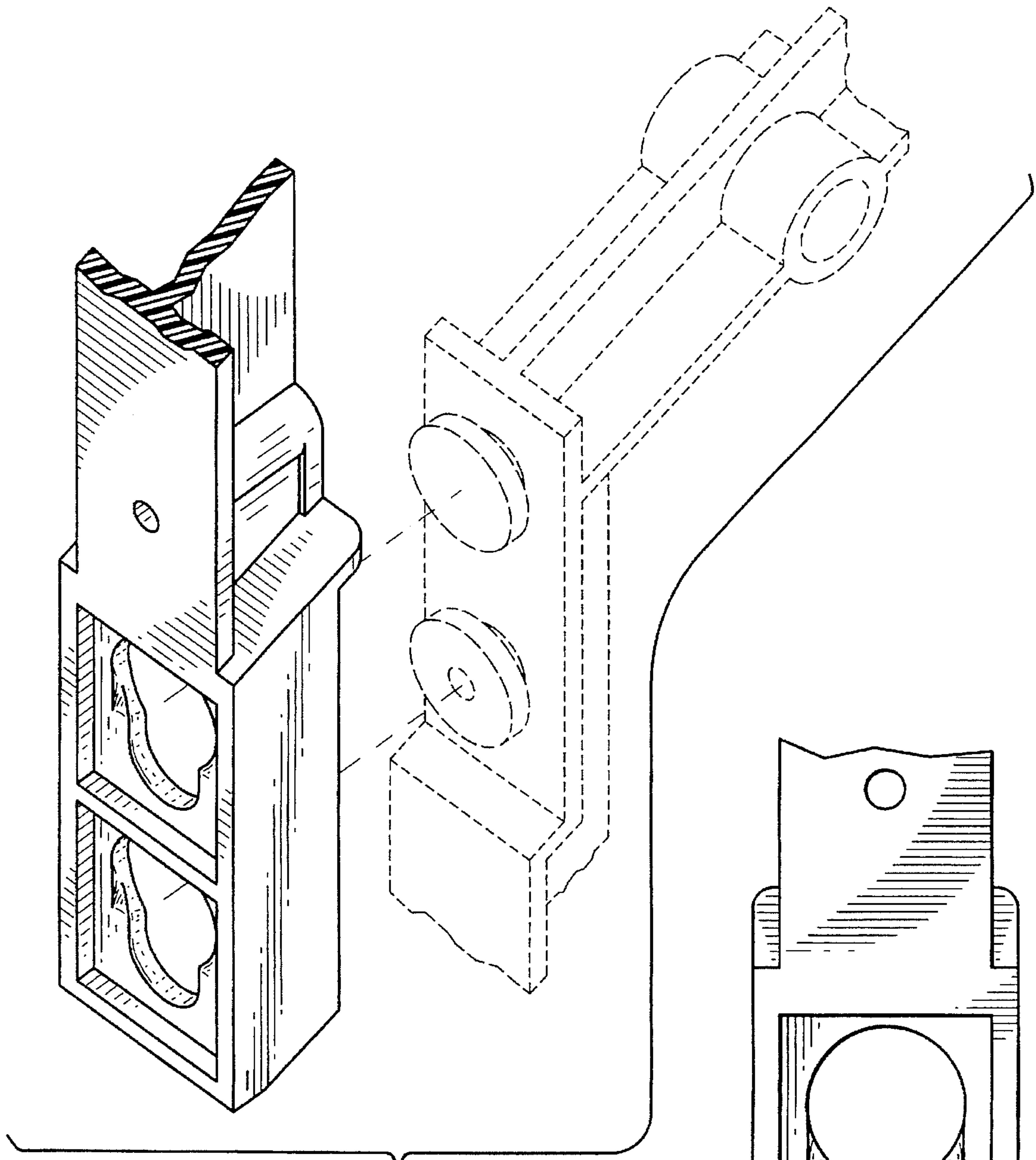


FIG. 14

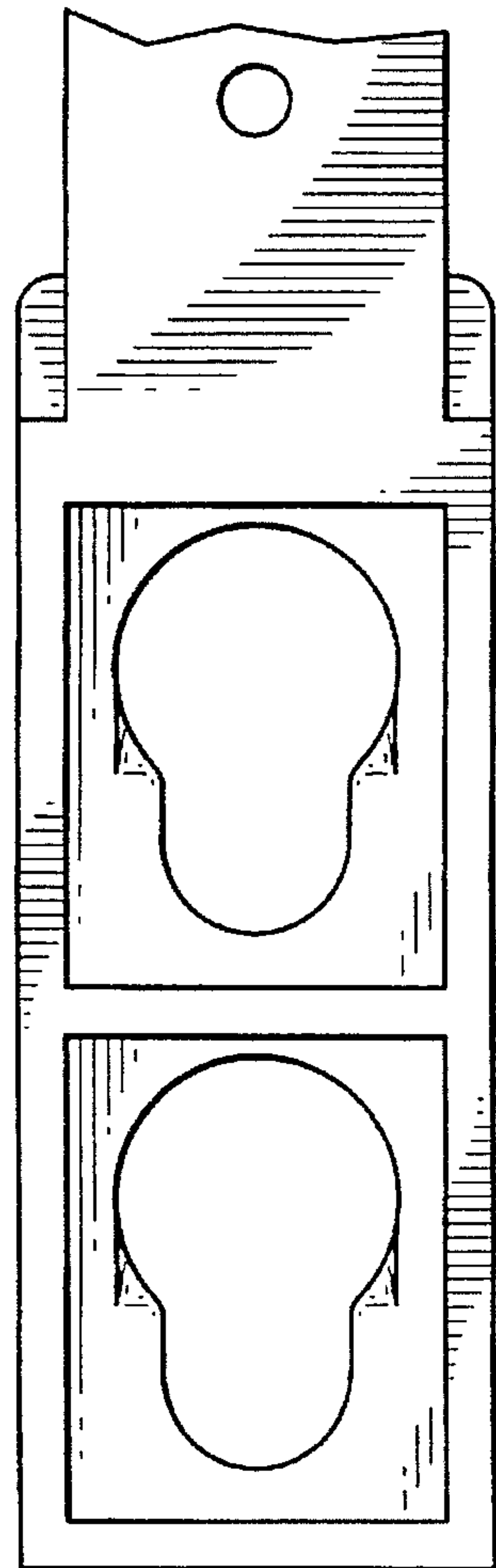


FIG. 15

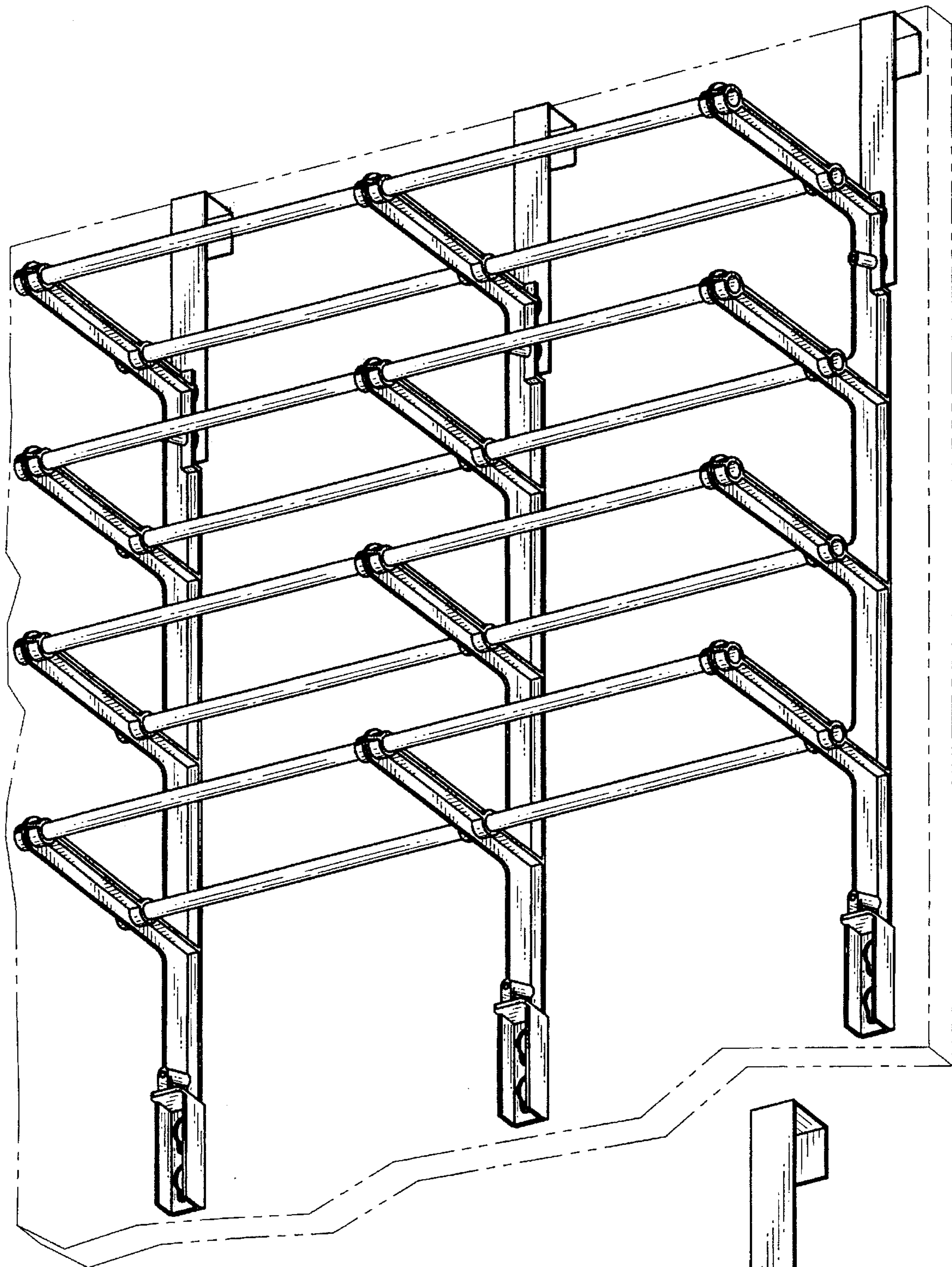


FIG. 17

FIG. 16

