



US00D381224S

# United States Patent [19]

[11] Patent Number: **Des. 381,224**

Mann et al.

[45] Date of Patent: **\*\*Jul. 22, 1997**

## [54] FURNITURE TRIM

[75] Inventors: **Phylliss Mann**, Los Angeles; **Lawrence Platt**, Beverly Hills, both of Calif.

[73] Assignee: **Cal-Marble Furniture Manufacturing Co.**, S. El Monte, Calif.

[\*\*] Term: **14 Years**

[21] Appl. No.: **47,567**

[22] Filed: **Dec. 7, 1995**

### Related U.S. Application Data

[62] Division of Ser. No. 31,315, Nov. 22, 1994.

[51] LOC (6) Cl. .... **06-06**

[52] U.S. Cl. .... **D6/491**

[58] Field of Search ..... D6/480-489, 495, D6/497, 491; 108/151, 153, 156, 157, 161

## [56] References Cited

### U.S. PATENT DOCUMENTS

D. 37,586	10/1905	McKay .	
D. 79,962	11/1929	Gommesen .	
D. 90,110	6/1933	Ginsberg .	
D. 157,226	2/1950	Williams .	
D. 218,450	8/1970	Bernard .....	D6/480
D. 225,602	12/1972	Winrow .....	D6/480
D. 249,861	10/1978	Adkinson .	
D. 341,731	11/1993	Ferguson .	
D. 357,606	4/1995	Keller .	
D. 367,978	3/1996	Lewis .....	D6/488
4,401,705	8/1983	Ewert .	

### OTHER PUBLICATIONS

Fine Arts, Ralph Morse, Mar. 23, 1973, p. 39. #3133 table at right.

Lance Occas. tables, p. 66, #1453-45 table at top center.

Heritage Cameo, p. 13, table at top.

Herendon Four Centuries, p. 16, table at top.

*Architectural Design*, Feb. 1994, p. 181, showing dining room table and chairs.

*Art & Antiques*, Dec. 1993, p. 17, showing table.

*Art & Antiques*, Sep. 1994, showing flute apron.

*Elle Decor*, Oct./Nov. 1994, showing dishes.

*Elle Decor*, Oct./Nov. 1994, p. 242, showing chair legs.

*House Beautiful*, Mar. 1994, showing metal ring.

*House Beautiful*, Mar. 1994, p. 117, showing desk.

*House Beautiful*, Mar. 1994, p. 394, showing fluted leg.

*House Beautiful*, Sep. 1994, showing block border.

*House Beautiful*, Oct. 1994, showing stacked base.

*House & Garden*, Feb. 1992, showing bed post.

*House & Garden*, Apr. 1992, showing sculptural legs.

*House & Garden*, Apr. 1992, p. 126, showing pedimented bookcase.

*House & Garden*, May 1992, showing parquet top.

*House & Garden*, May 1992, showing Chadsworth column.

*House & Garden*, Oct. 1992, showing reed flute.

*House & Garden*, Oct. 1992, p. 105, showing cabochon.

*House & Garden*, Nov. 1992, p. 128, showing Greek column hendredon gold leaf reverse flute.

*House & Garden*, Feb. 1993, p. 28, showing couch.

*House & Garden*, Apr. 1993, p. 28, showing brass rings.

*House & Garden*, Apr. 1993, p. 92, showing house columns.

*Interior Design*, Nov. 1992, p. 136, showing table.

*Interior Design*, Dec. 1992, p. 8, showing columns.

*Interior Design*, Apr. 1993, p. 23, showing fluted designs.

*Interior Design*, May 1993, showing undulating design.

(List continued on next page.)

Primary Examiner—Janice E. Seeger

Attorney, Agent, or Firm—Poms, Smith, Lande & Rose

## [57] CLAIM

The ornamental design for a furniture trim, as shown and described.

## DESCRIPTION

FIG. 1 is a top perspective view of a furniture trim showing our new design;

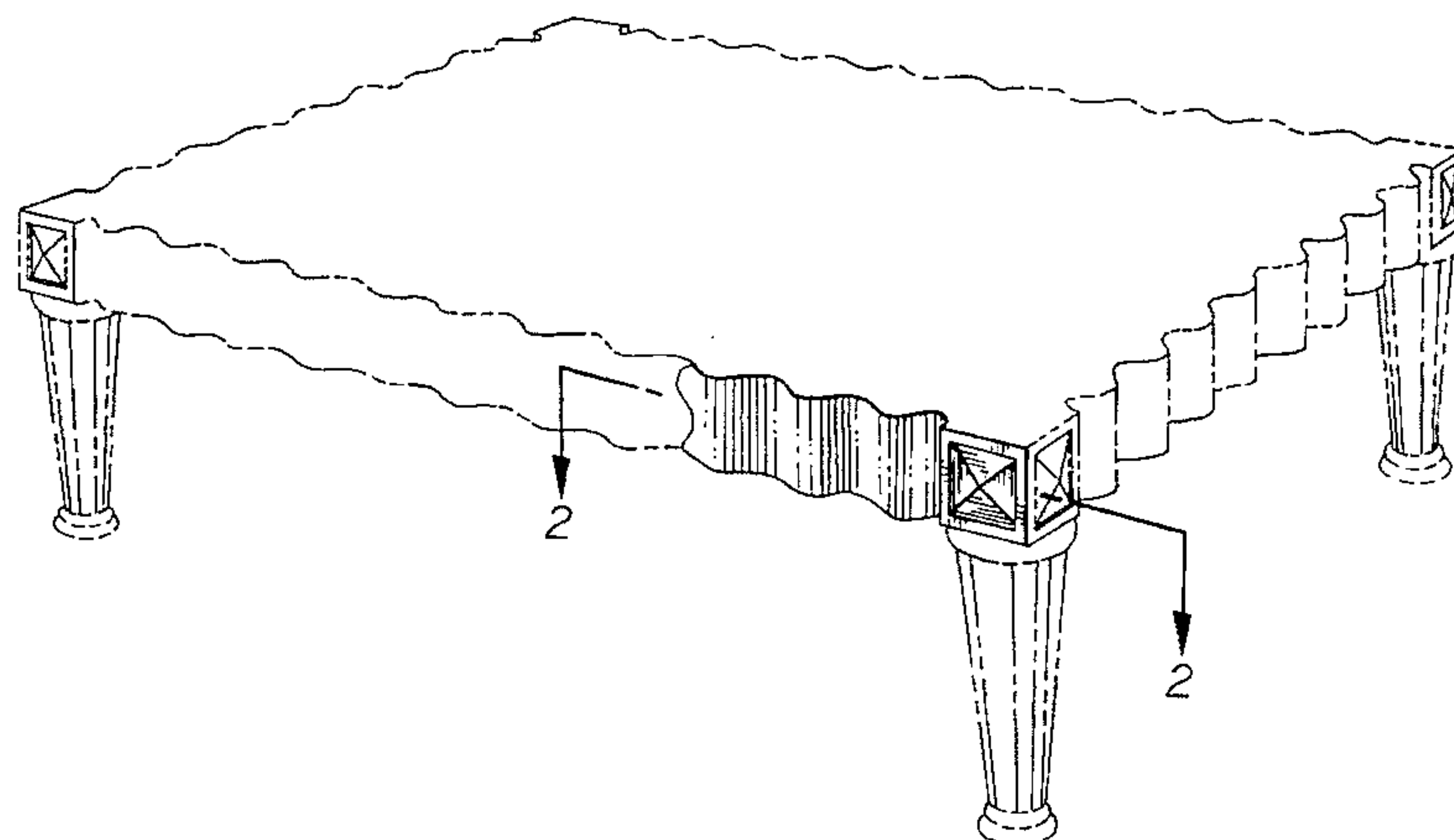
FIG. 2 is an enlarged cross-sectional view taken on line 2—2 of FIG. 1;

FIG. 3 is an enlarged side elevational view thereof; and,

FIG. 4 is a bottom perspective view thereof.

The broken line showing of a furniture structure is for environmental purposes only and forms no part of the claimed design.

1 Claim, 3 Drawing Sheets



OTHER PUBLICATIONS

*Interior Design*, May. 1993, p. 273, showing undulating design.

*Interior Design*, Jun. 1993, p. 64, showing bird bath.

*Interior Design*, Sep. 1993, p. 40, showing fluted front apron leg.

*Interior Design*, Dec. 1993, p. 102, showing Roman motif bed frame.

*Interior Design*, Sep. 1994, p. 136, showing miscellaneous furniture designs.

*Interior Design*, Sep. 1994, p. 11, showing miscellaneous furniture designs.

*Interiors*, Sep. 1994, p. 29, showing parquet top.

*Interiors & Sources*, Sep. 1994, p. 138, showing Manhattan cabinetry.

*Met. Home*, Dec. 1994, p. 114, showing flute and border on chair.

*Metropolis*, Jul./Aug. 1994, p. 64, showing various furniture designs.

*Metropolis*, Sep. 1994, showing table legs.

*Metropolis*, Oct. 1994, p. 55, showing chairs.

*Souther Accents*, Nov. 1994, p. 219, showing flute front.

*Traditional Home*, Nov. 1994, Advertising Supplement, showing columns.

*World Furniture—An Illustrated History*, The Hamlyn Publishing Group Ltd., Crescent Brooks, New York, pp. 141, 198, 217, 241, 261 (1965).

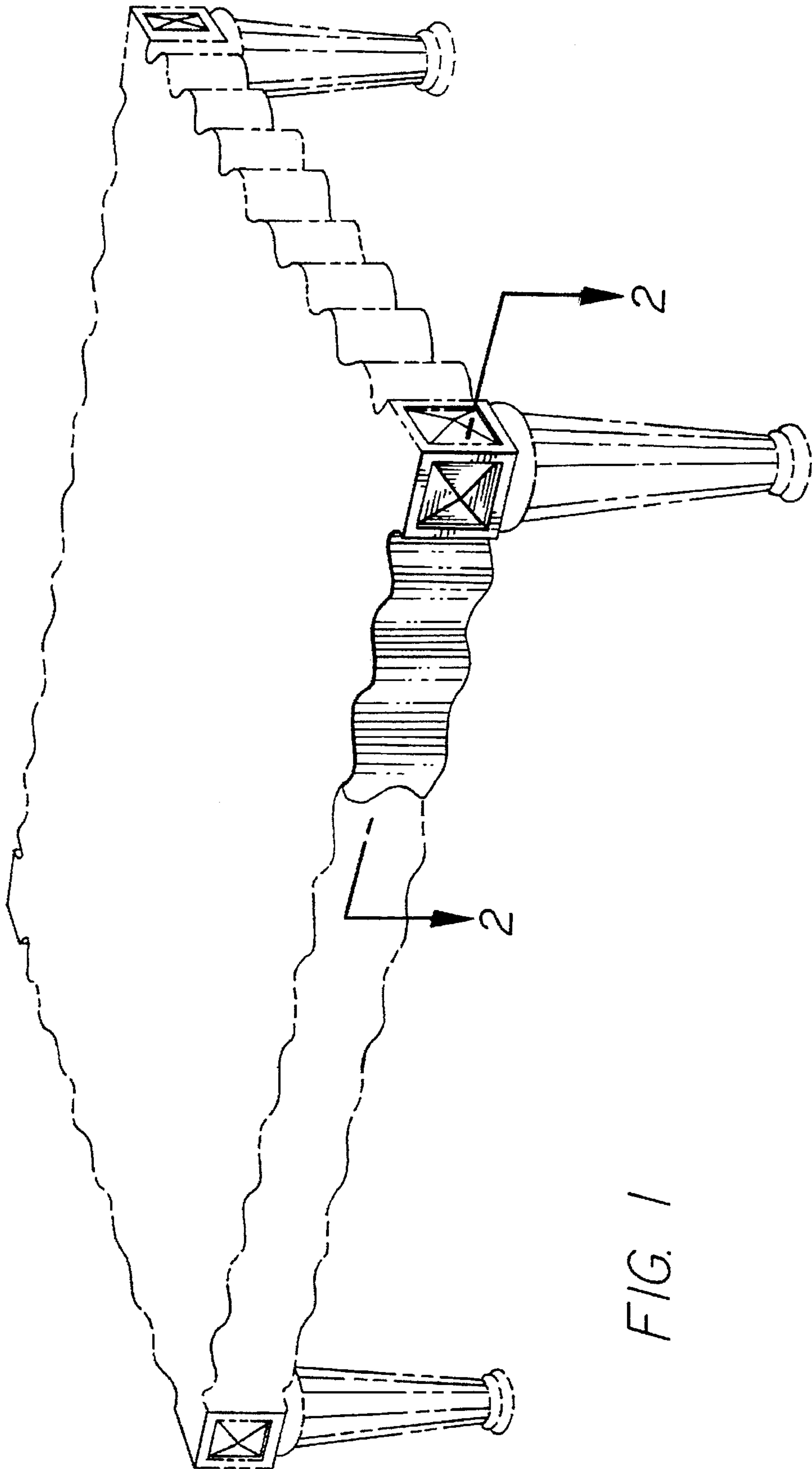


FIG. 1

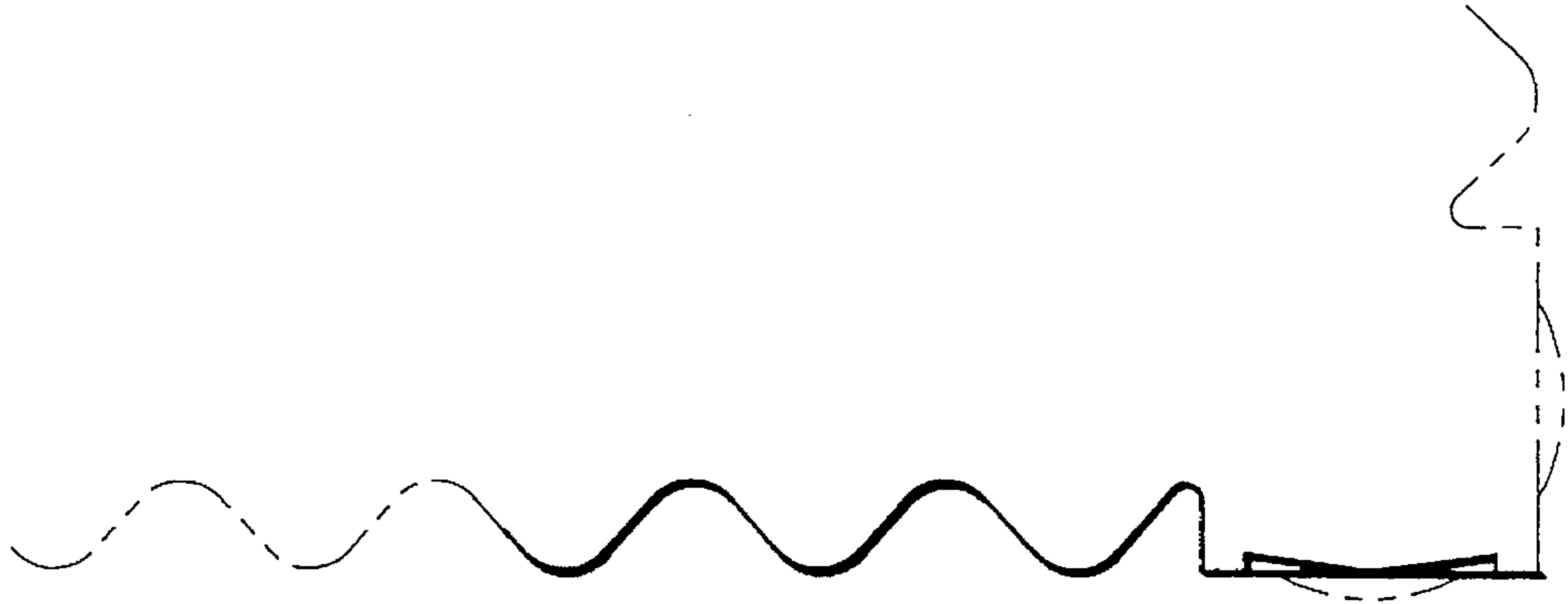


FIG. 2

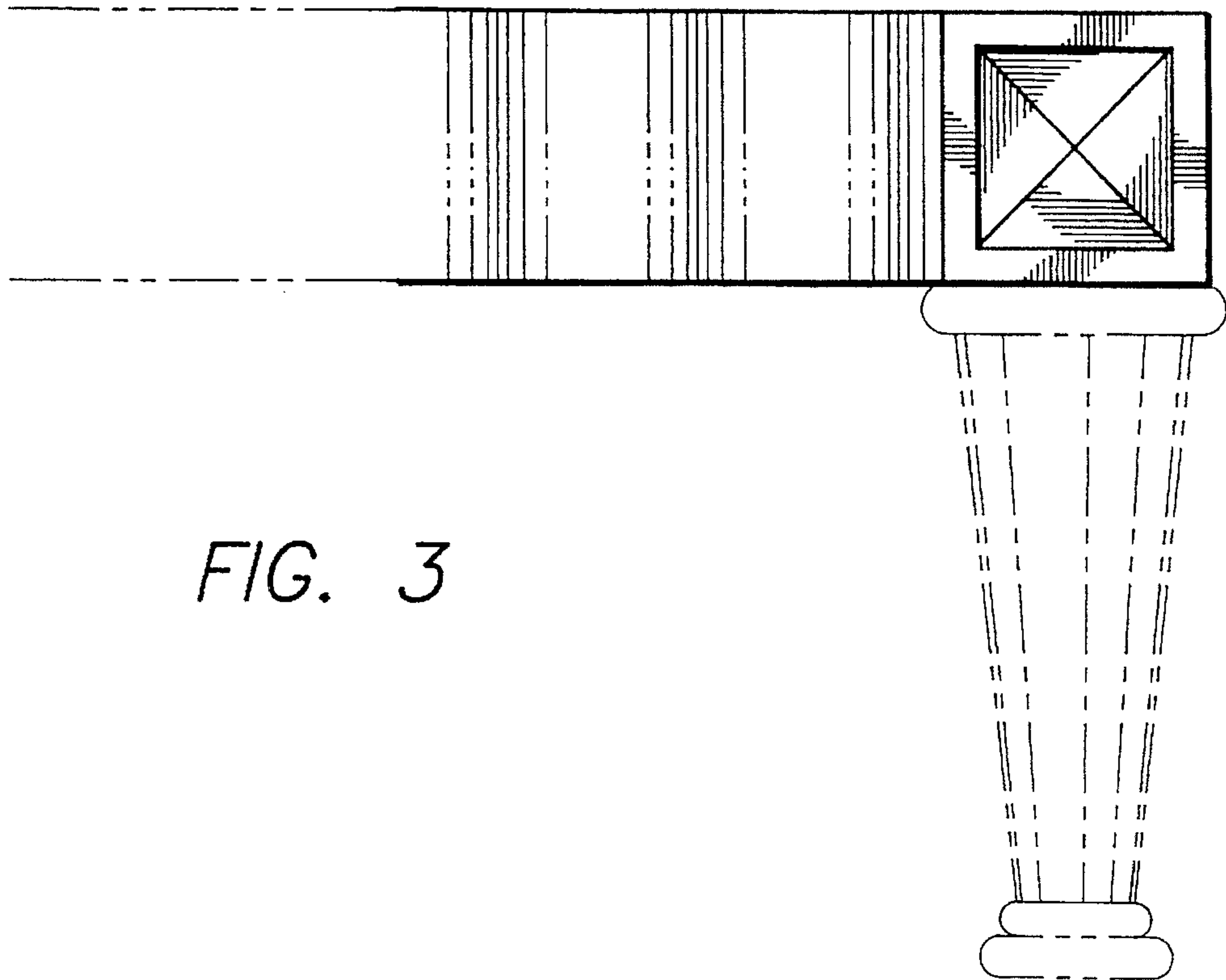


FIG. 3



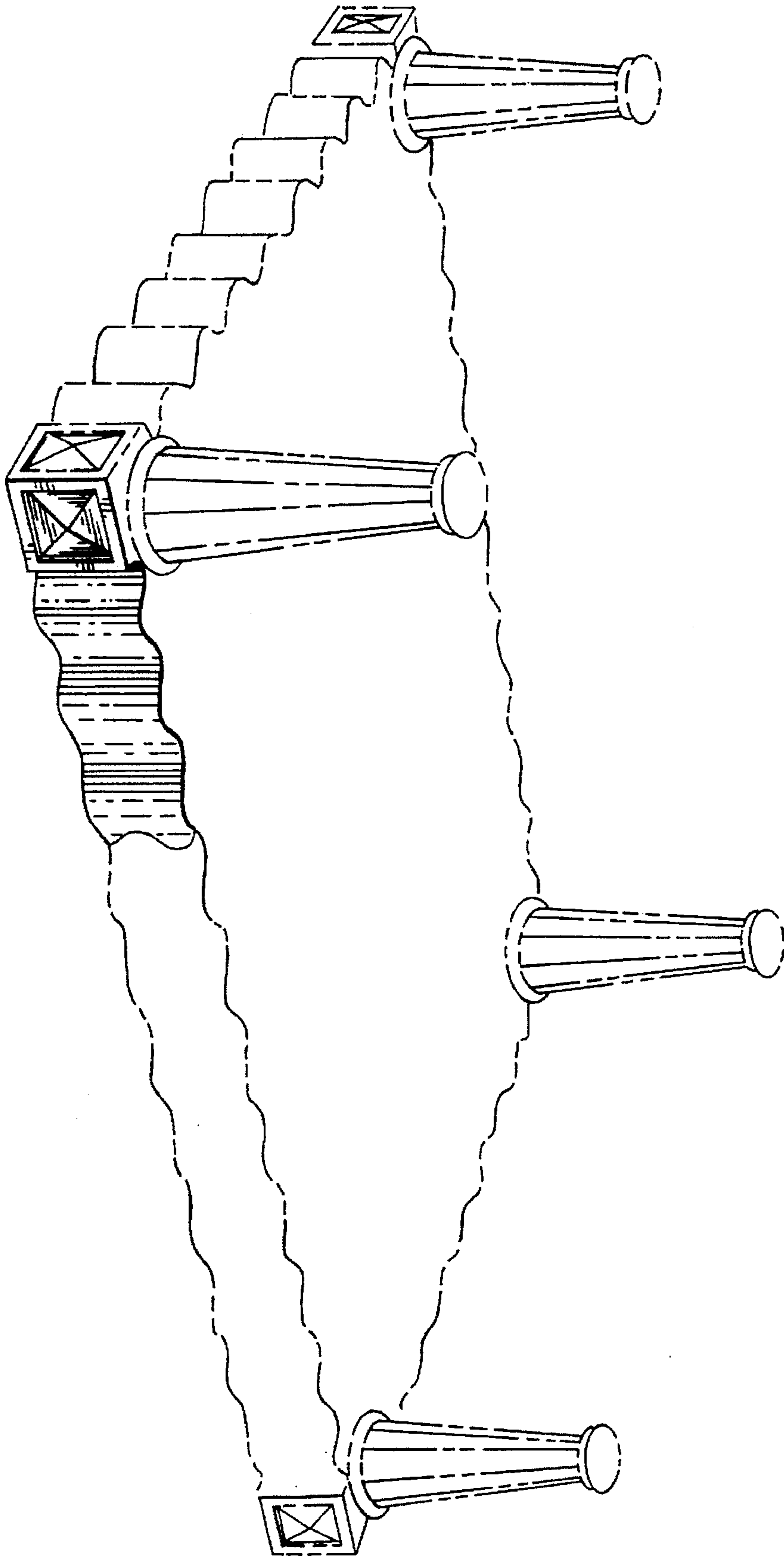


FIG. 4