



US00D381223S

United States Patent [19]

Brunner et al.

[11] Patent Number: **Des. 381,223**

[45] Date of Patent: ****Jul. 22, 1997**

[54] **TOY CHEST**

[75] Inventors: **Merlin A. Brunner**, Appleton; **Harvey J. Draheim**, Weyauwega, both of Wis.

[73] Assignee: **Simmons Juvenile Products Company, Inc.**, New London, Wis.

[**] Term: **14 Years**

[21] Appl. No.: **37,030**

[22] Filed: **Apr. 3, 1995**

[51] LOC (6) Cl. **06-04**

[52] U.S. Cl. **D6/440**

[58] Field of Search D6/432-448, 335, D6/336, 349; D21/121; 312/204

[56] **References Cited**

U.S. PATENT DOCUMENTS

D. 161,172	12/1950	Greene	D6/440 X
D. 204,401	4/1966	McCartney	D6/440
D. 213,885	4/1969	Jensen	D6/440
D. 307,985	5/1990	Hoff	D6/440
D. 321,613	11/1991	Gandy	D6/440
D. 333,220	2/1993	Brunner et al.	.	

OTHER PUBLICATIONS

Simmons "Little Folks" Cat #82 ©1973 p. 39; toy chest #0915 bottom right on page.

Best 1992/93 p. 441; "Jenny Lind" storage chest item #16 bottom right on page.

Simmons "Little Folks" published Feb. 1993; Turrin style crib & dressing table tapered slats; center of page.

N.D. Cass Sales Co. 1973-74 ed p. 7; Combination chair and toy box #50/17W bottom right on page.

Primary Examiner—Carmen H. Vales-Lado
Attorney, Agent, or Firm—Hoffmann & Baron

[57] **CLAIM**

The ornamental design of a toy chest, as shown and described.

DESCRIPTION

FIG. 1 is a top perspective view of a toy chest showing our new design;

FIG. 2 is a top plan view thereof;

FIG. 3 is a front elevation view thereof;

FIG. 4 is a side elevation view thereof, the opposite side being a mirror image thereof;

FIG. 5 is a rear elevation view thereof;

FIG. 6 is a bottom plan view thereof;

FIG. 7 is an enlarged sectional view taken along line 7—7 of FIG. 3; and,

FIG. 8 is an enlarged section view taken along line 8—8 of FIG. 3.

1 Claim, 5 Drawing Sheets

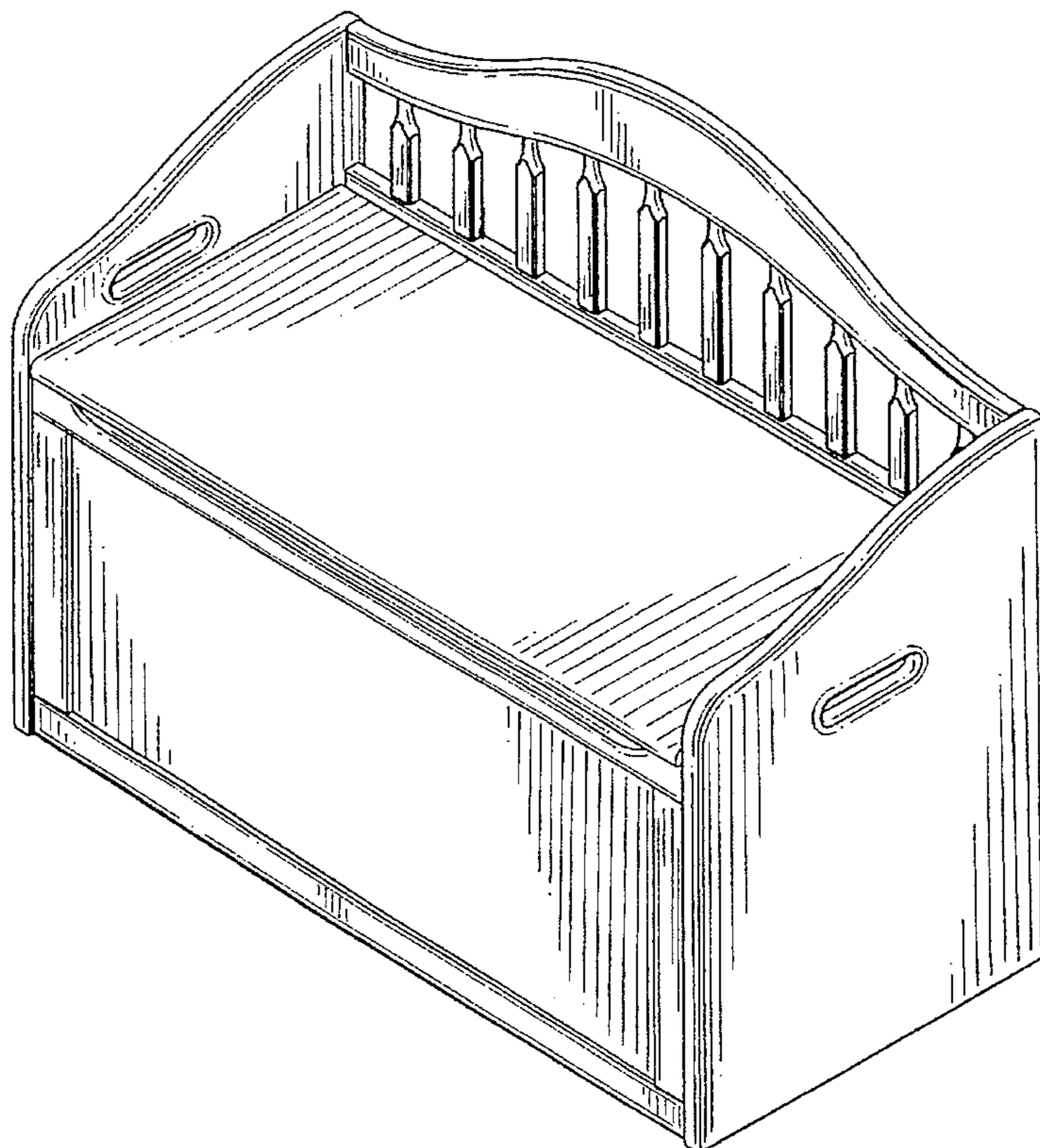


FIG-1

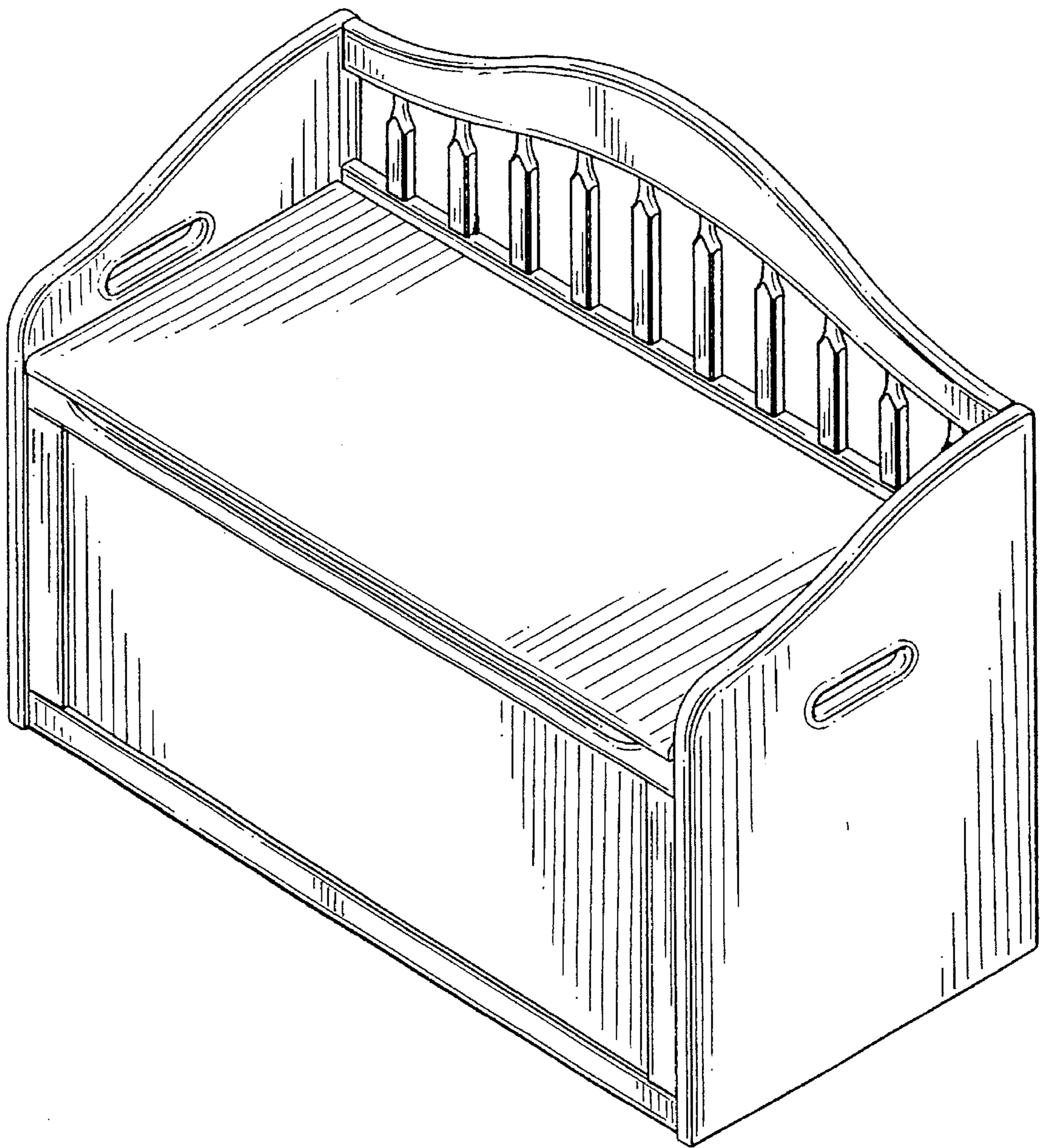


FIG-2

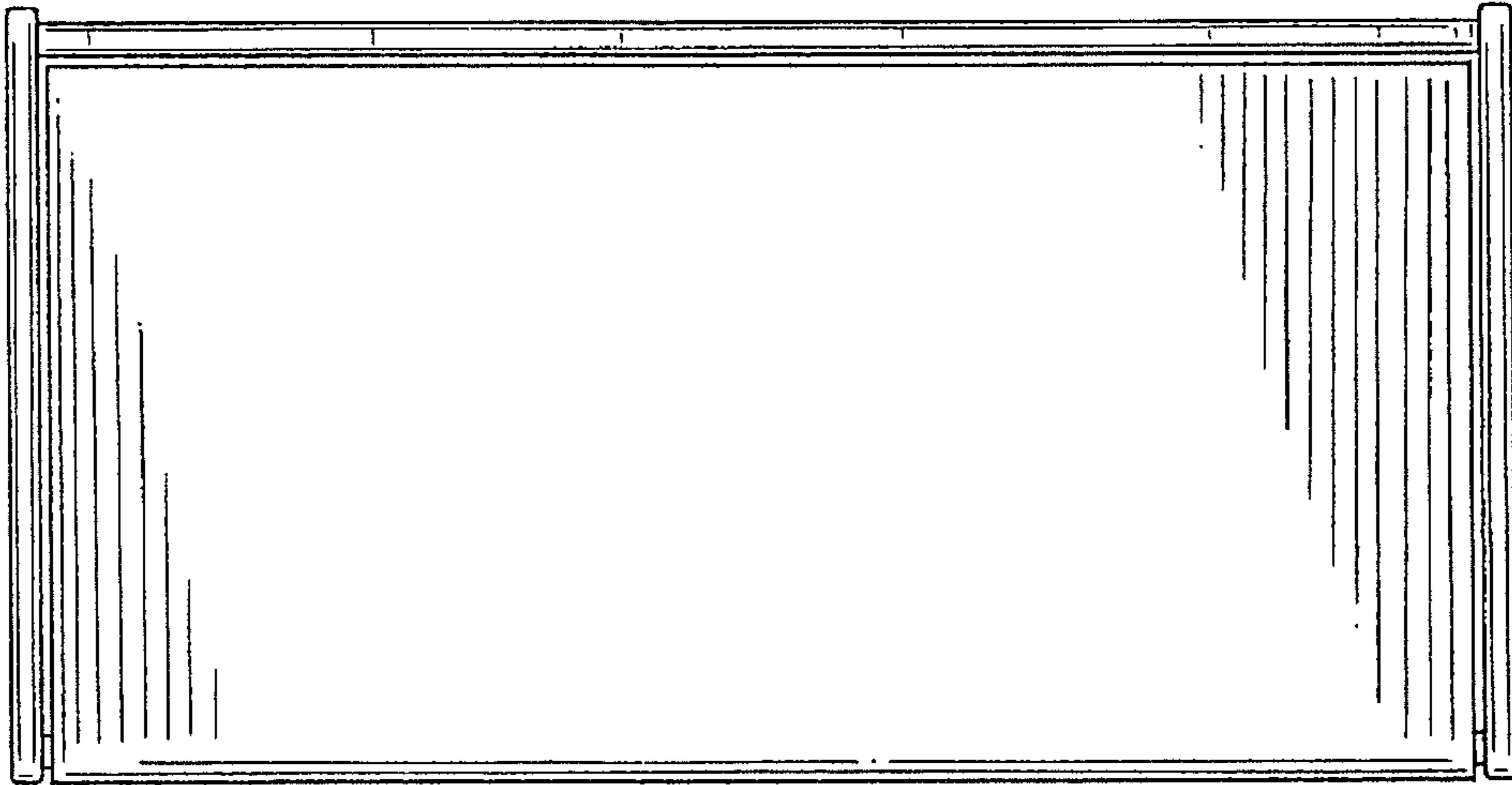


FIG-3

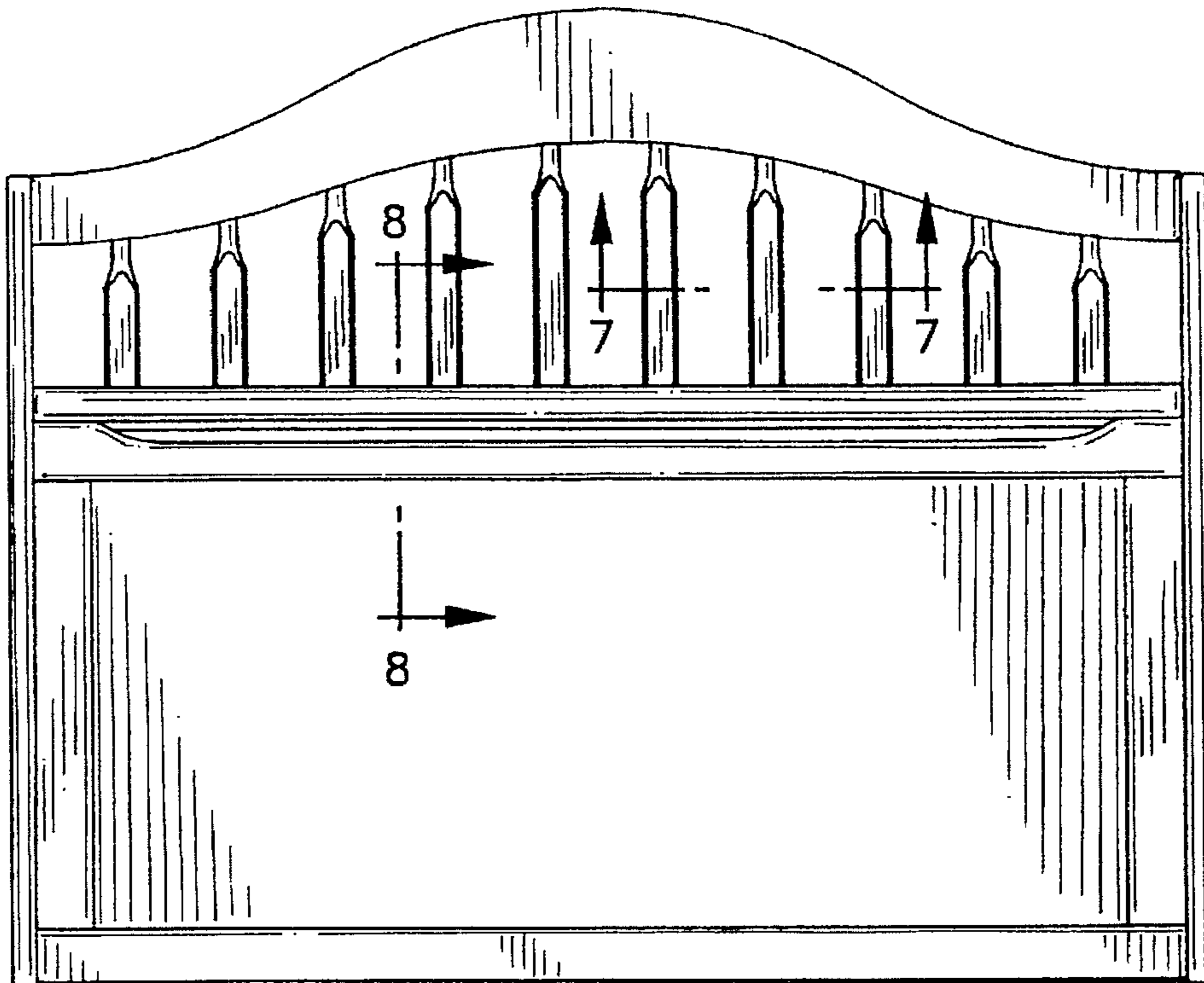


FIG-4

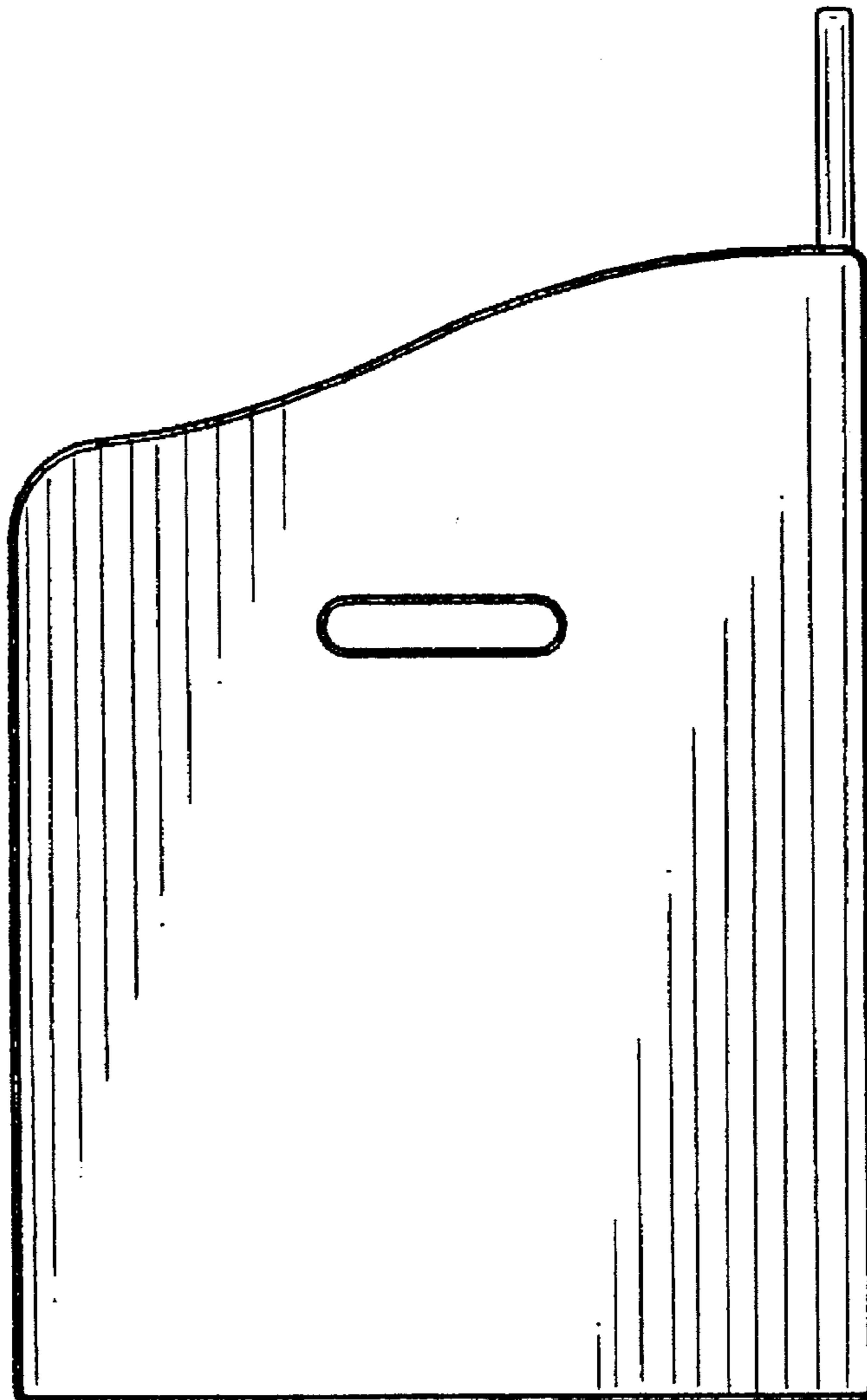


FIG-5

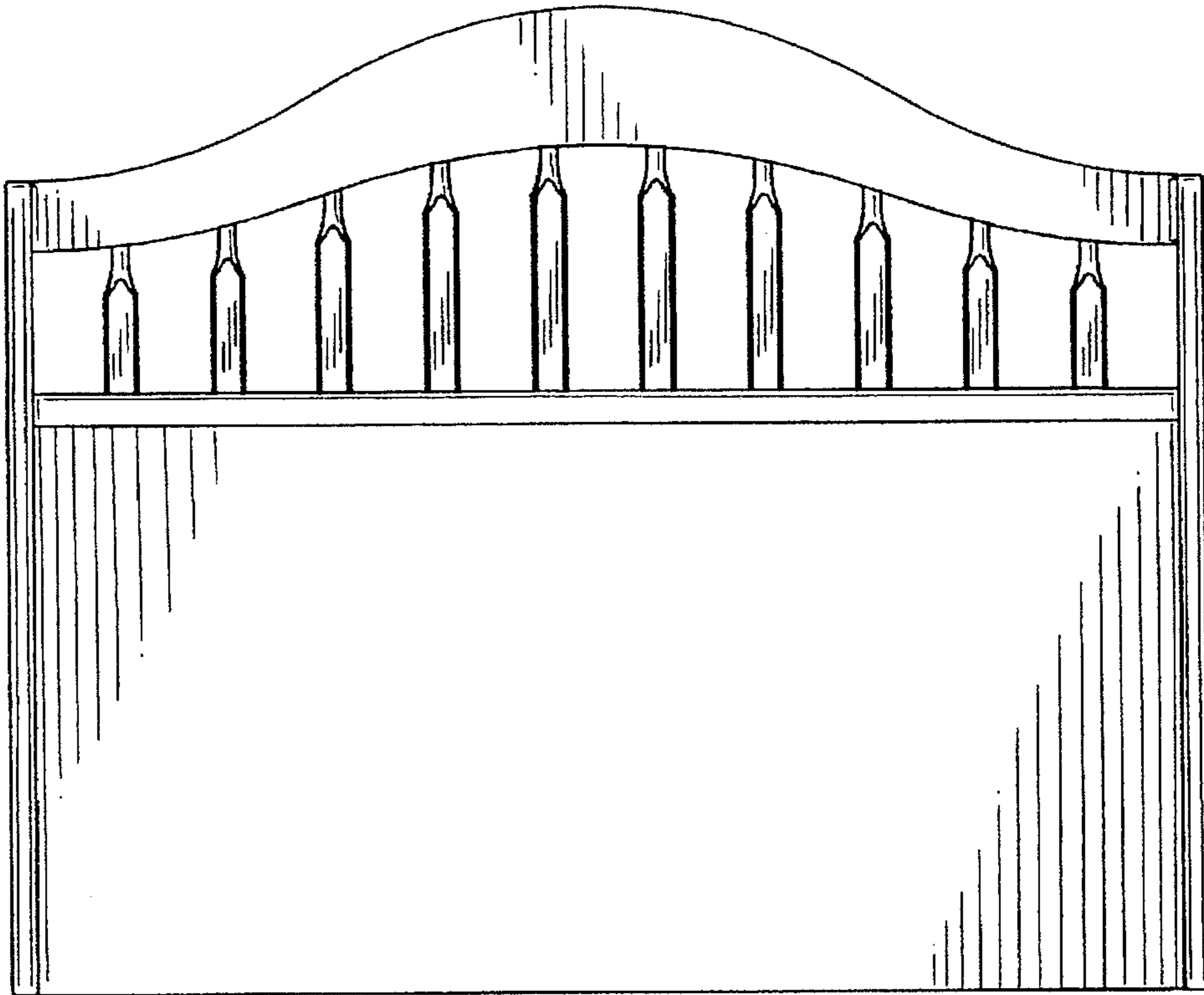


FIG-6

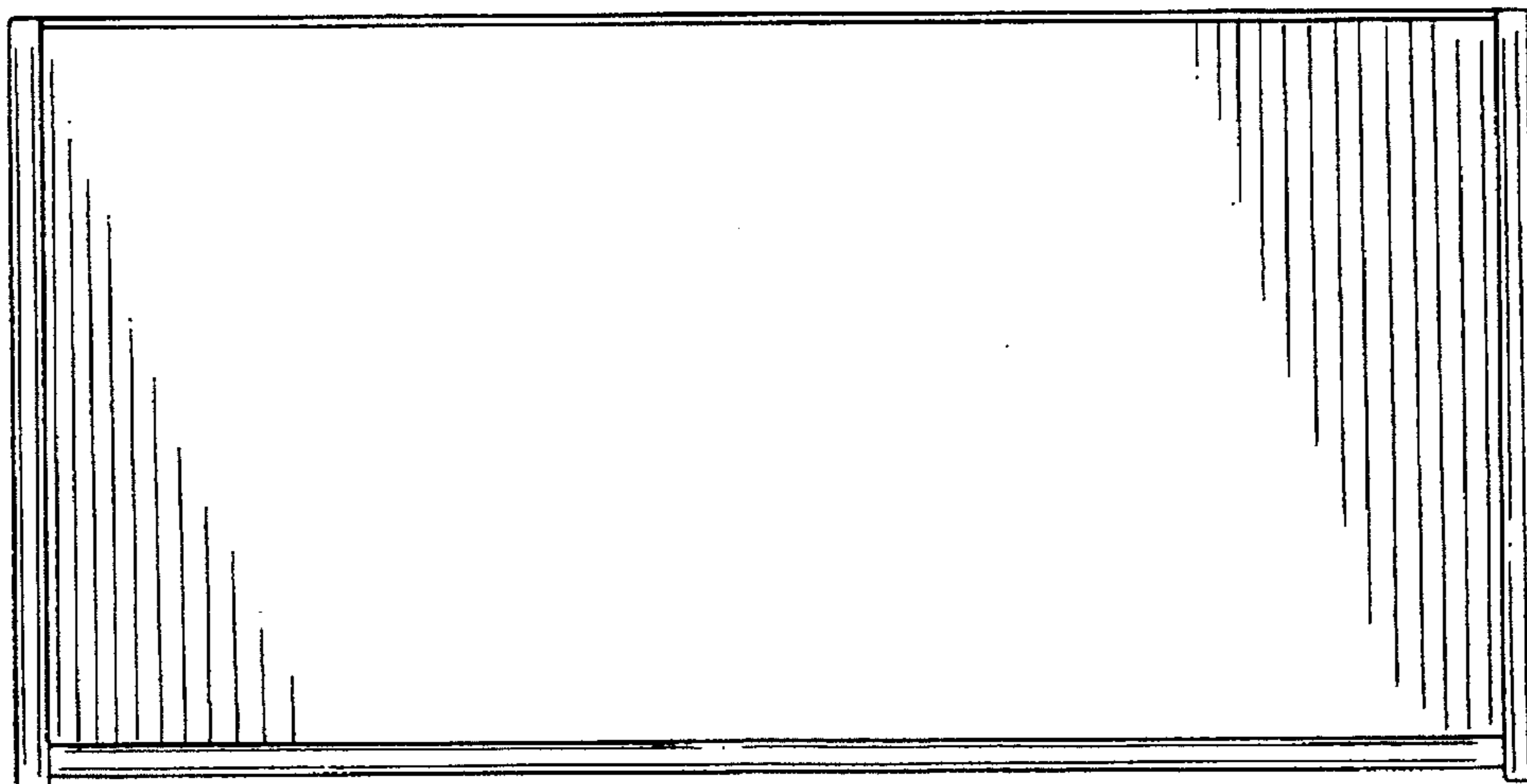


FIG-7

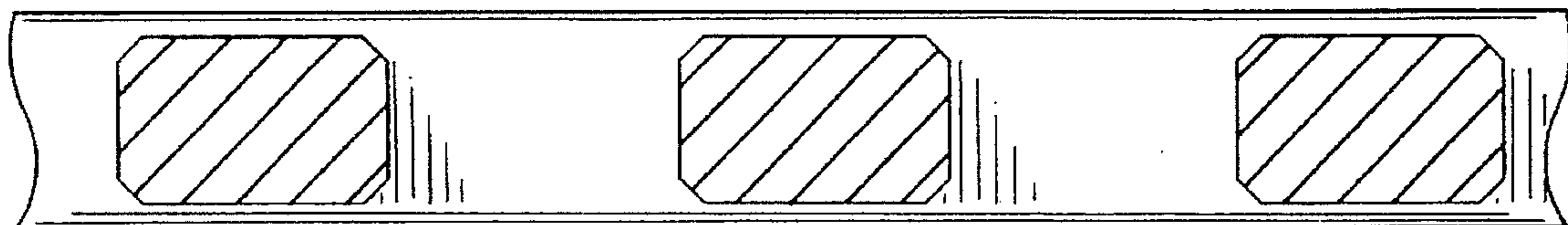


FIG-8

