



US00D381221S

# United States Patent [19]

Natuzzi et al.

[11] Patent Number: **Des. 381,221**

[45] Date of Patent: **\*\*Jul. 22, 1997**

[54] SEAT

[75] Inventors: **Pasquale Natuzzi**, Santeramo In Colle;  
**Domenico Abbruzzese**, Gioia del Colle,  
both of Italy

[73] Assignee: **Industrie Natuzzi Spa**, Bari, Italy

[\*\*] Term: **14 Years**

[21] Appl. No.: **52,463**

[22] Filed: **Mar. 26, 1996**

[51] LOC (6) Cl. .... **06-01**

[52] U.S. Cl. .... **D6/381; D6/334**

[58] Field of Search ..... D6/334, 335, 336,  
D6/364, 371, 373, 381, 500, 501, 502;  
297/232, 445.1

## [56] References Cited

### U.S. PATENT DOCUMENTS

D. 81,095	5/1930	Havel	.....	D6/381
D. 90,917	10/1933	Lane	.....	D6/381
D. 289,711	5/1987	Bick et al.	.....	D6/381
D. 349,414	8/1994	Friedman	.....	D6/381

### OTHER PUBLICATIONS

- Natuzzi Model 664/665, Oct. 1991 at International Home Furnishings Market in High Point, North Carolina.
- Natuzzi Model 811, Oct. 1990 at International Home Furnishings Market in High Point, North Carolina.
- Natuzzi Model 825, Nov. 1990 at International Home Furnishings Market in High Point, North Carolina.
- Natuzzi Model 841, Apr. 1991 at International Home Furnishings Market in High Point, North Carolina.
- Natuzzi Model 939, Oct. 1992 at International Home Furnishings Market in High Point, North Carolina.
- Natuzzi Model 1073, Apr. 1993 at International Home Furnishings Market in High Point, North Carolina.

- Natuzzi Model 1213, Oct. 1994 at International Home Furnishings Market in High Point, North Carolina.
- Natuzzi Model 1224, Oct. 1994 at International Home Furnishings Market in High Point, North Carolina.
- Natuzzi Model 1230, Oct. 1994 at International Home Furnishings Market in High Point, North Carolina.
- Natuzzi Model 1231, Oct. 1994 at International Home Furnishings Market in High Point, North Carolina.
- Natuzzi Model 1236, Oct. 1994 at International Home Furnishings Market in High Point, North Carolina.

*Primary Examiner*—Gary D. Watson  
*Attorney, Agent, or Firm*—Bell, Seltzer, Park & Gibson, P.A.

## [57] CLAIM

The ornamental design for a seat, as shown and described.

### DESCRIPTION

FIG. 1 is a front perspective view of a seat showing our new design in the form of a sofa;  
 FIG. 2 is a front elevational view thereof;  
 FIG. 3 is a top plan view thereof;  
 FIG. 4 is a right side elevational view, the left side being a mirror image thereof;  
 FIG. 5 is a rear perspective view thereof;  
 FIG. 6 is a front elevational view of a seat showing our new design in the form of a loveseat; and,  
 FIG. 7 is a front elevational view of a seat showing our new design in the form of a chair.

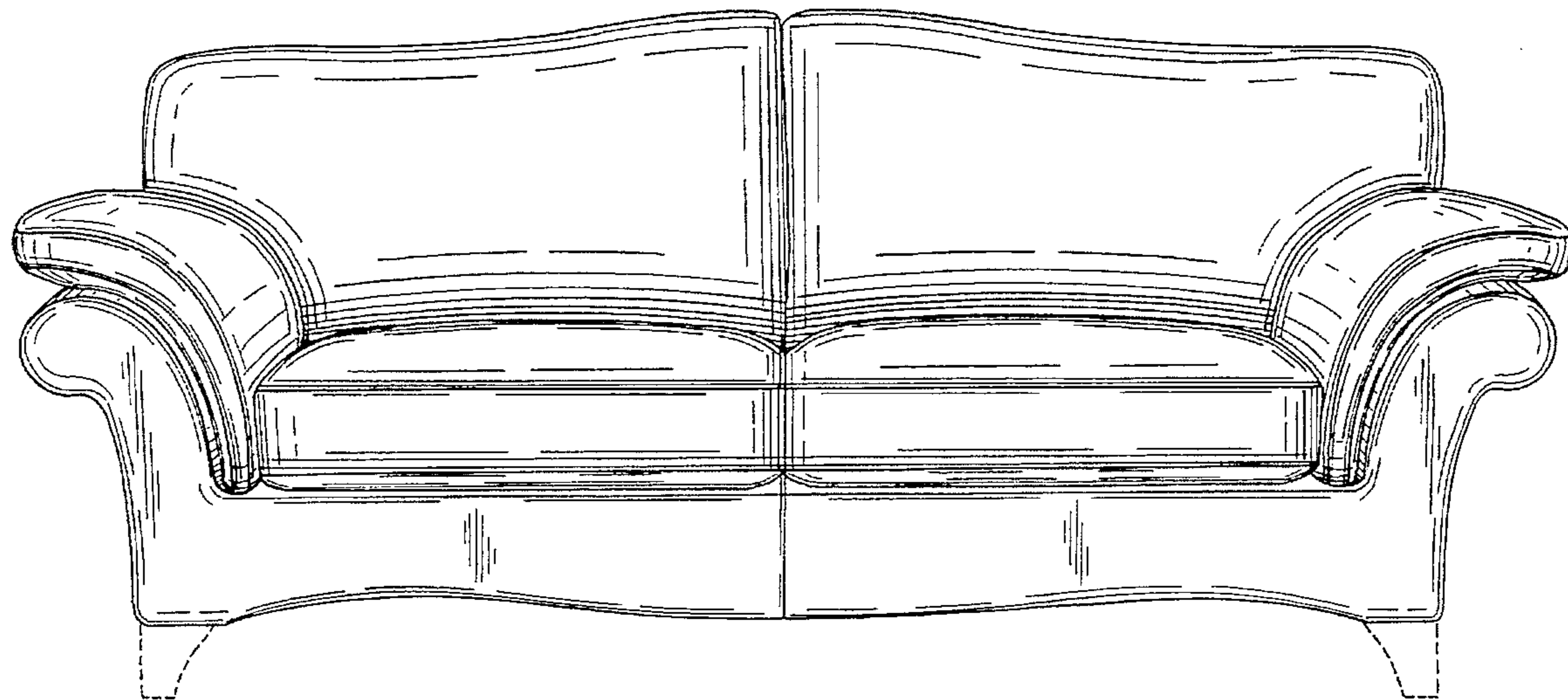
The broken lines shown herein are for illustrative purposes only and form no part of the claimed design.

The rear views of FIGS. 6 and 7 are like FIG. 5, the difference being a matter of length.

The side views of FIGS. 6 and 7 are like FIG. 4.

FIG. 1 has been shown on an enlarged scale with respect to FIGS. 2 through 7.

**1 Claim, 3 Drawing Sheets**



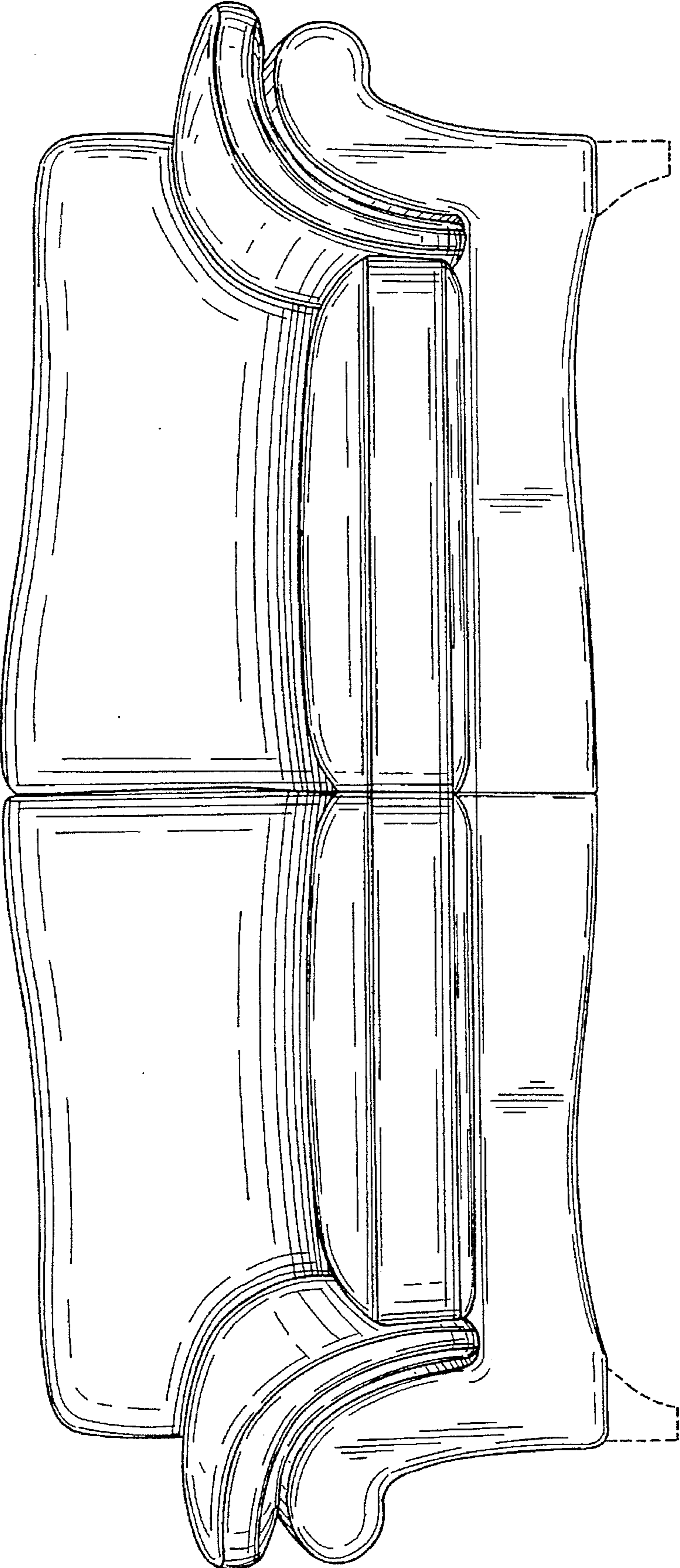


FIG. 1.

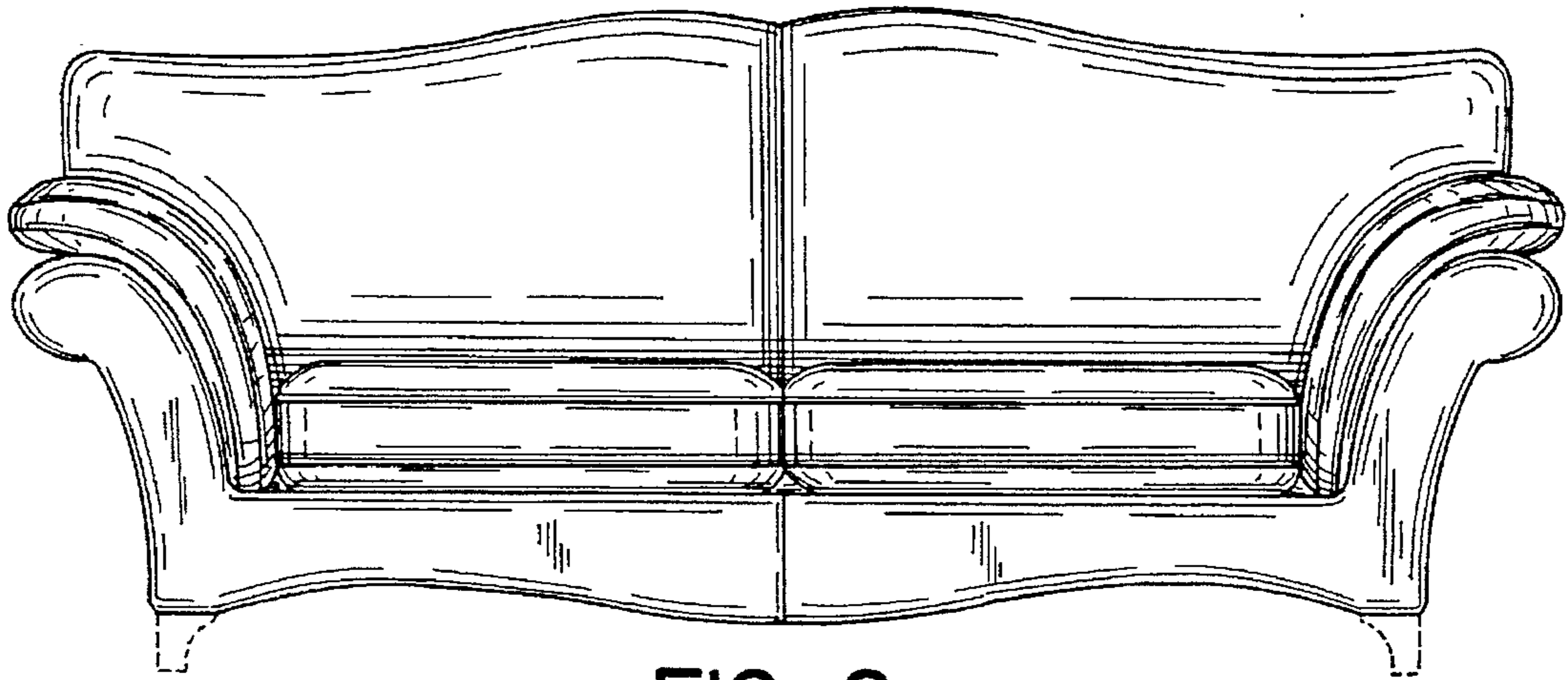


FIG. 2.

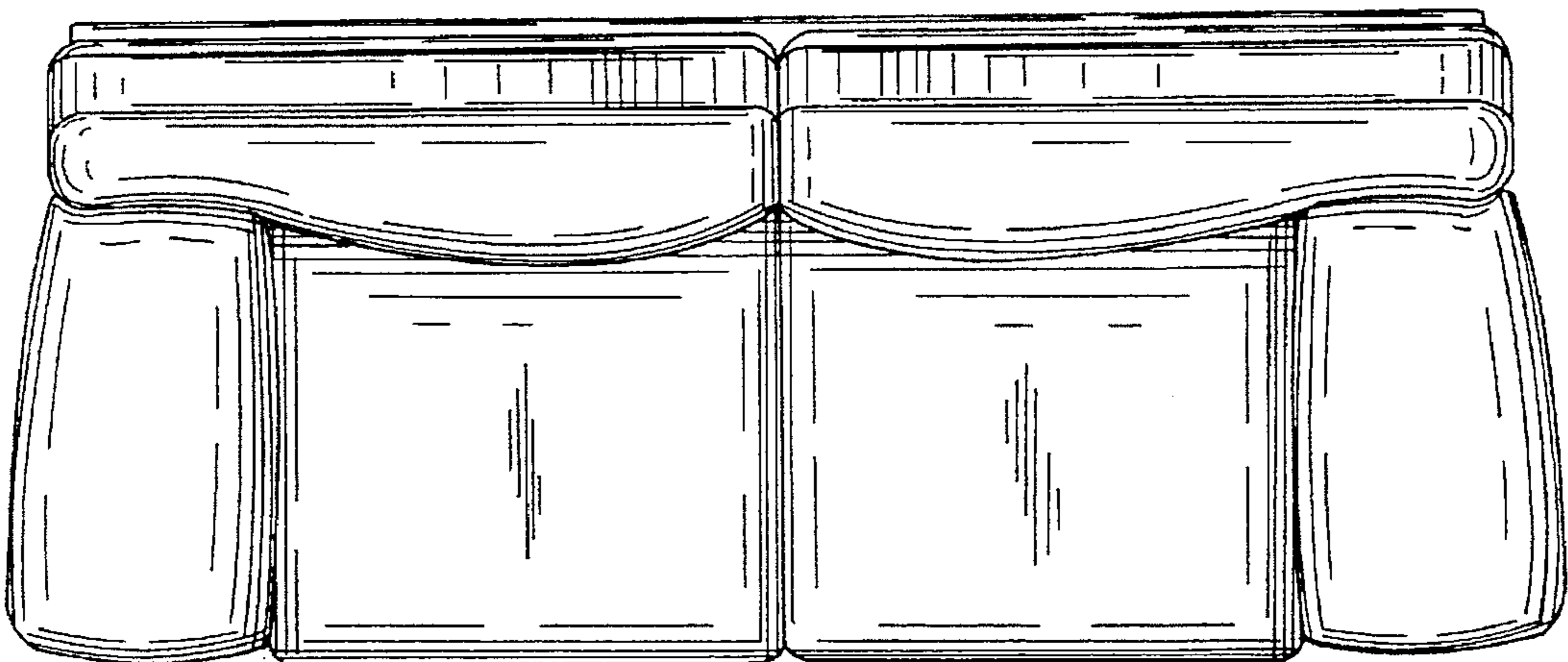


FIG. 3.

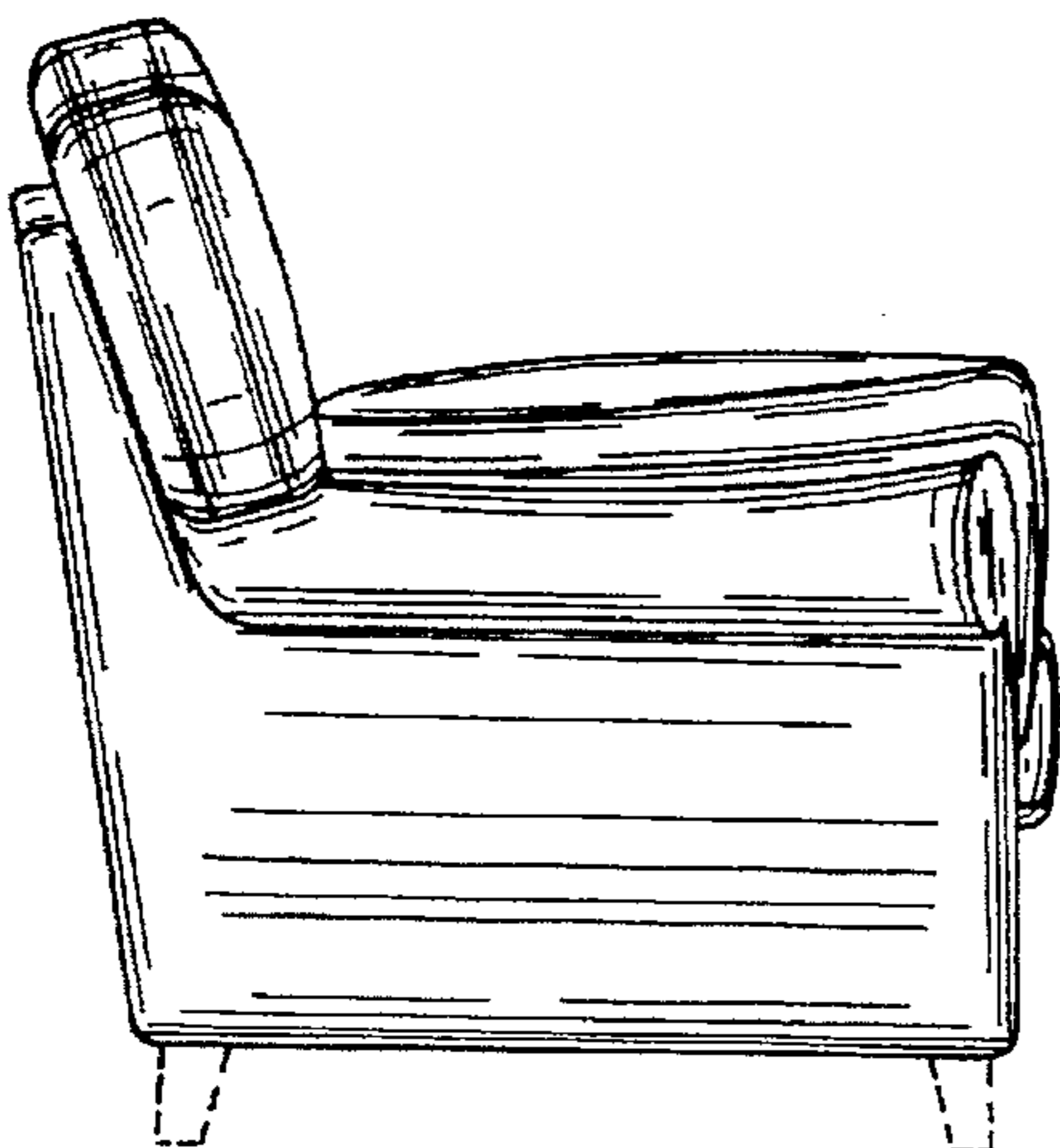


FIG. 4.

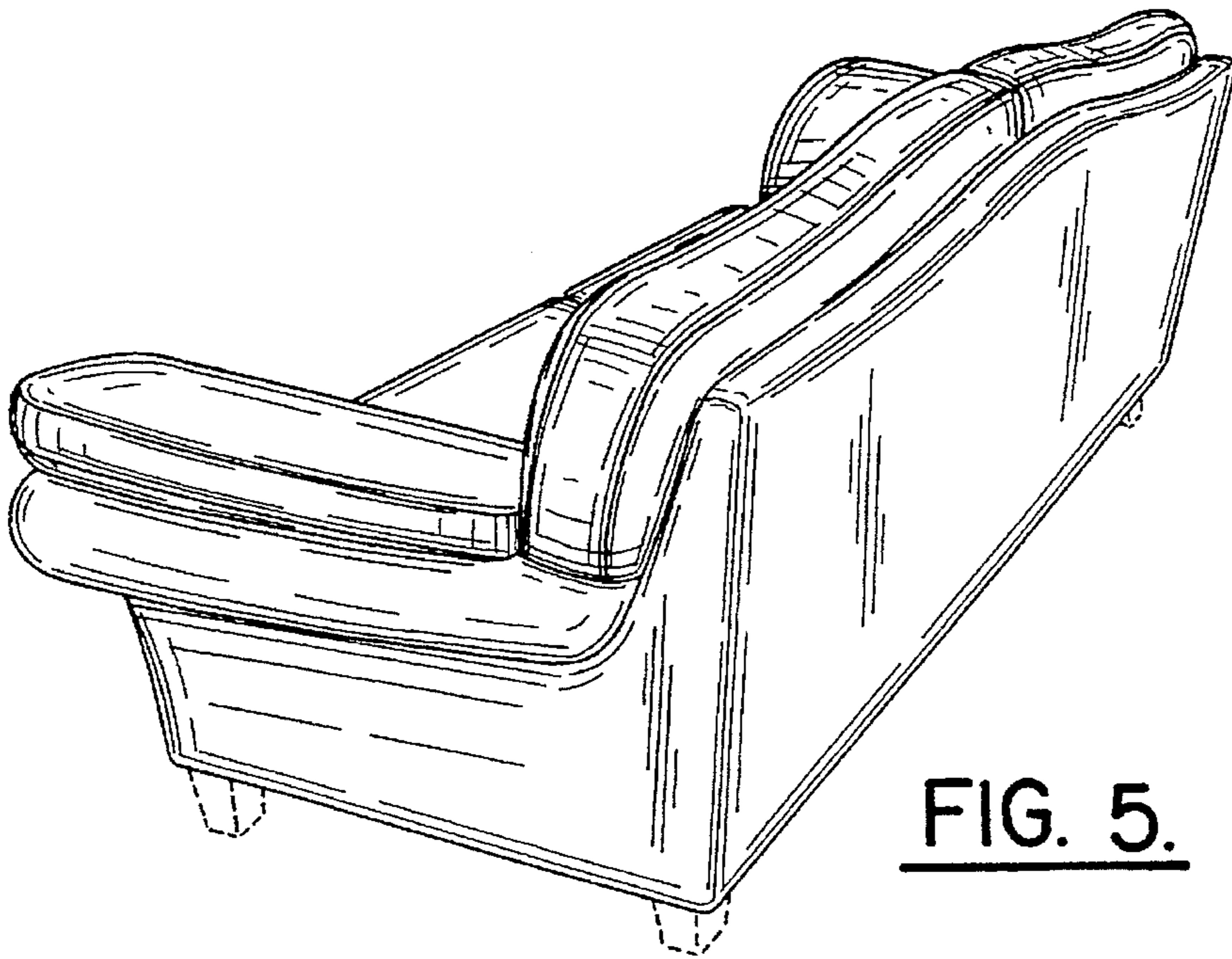


FIG. 5.

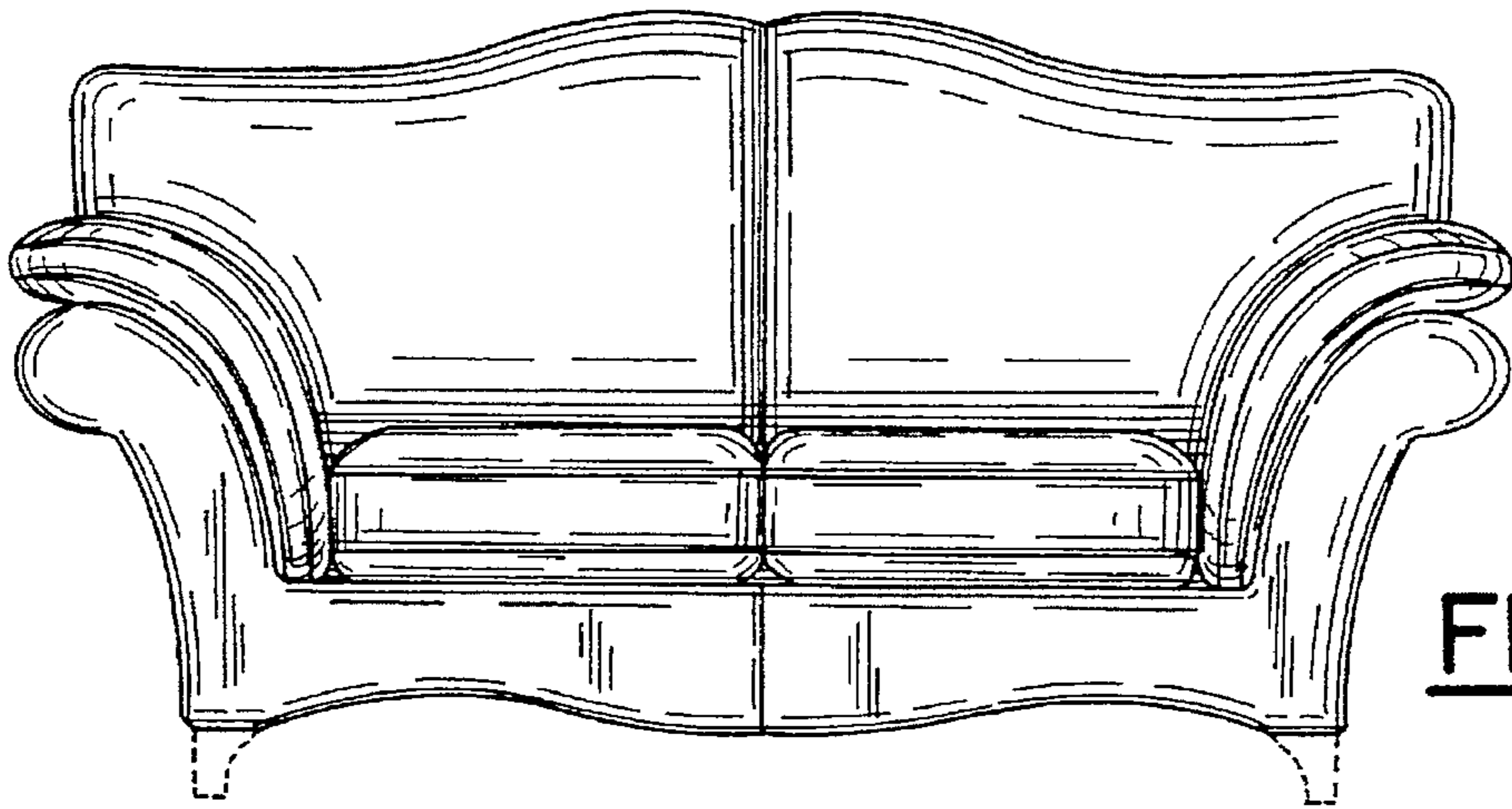


FIG. 6.

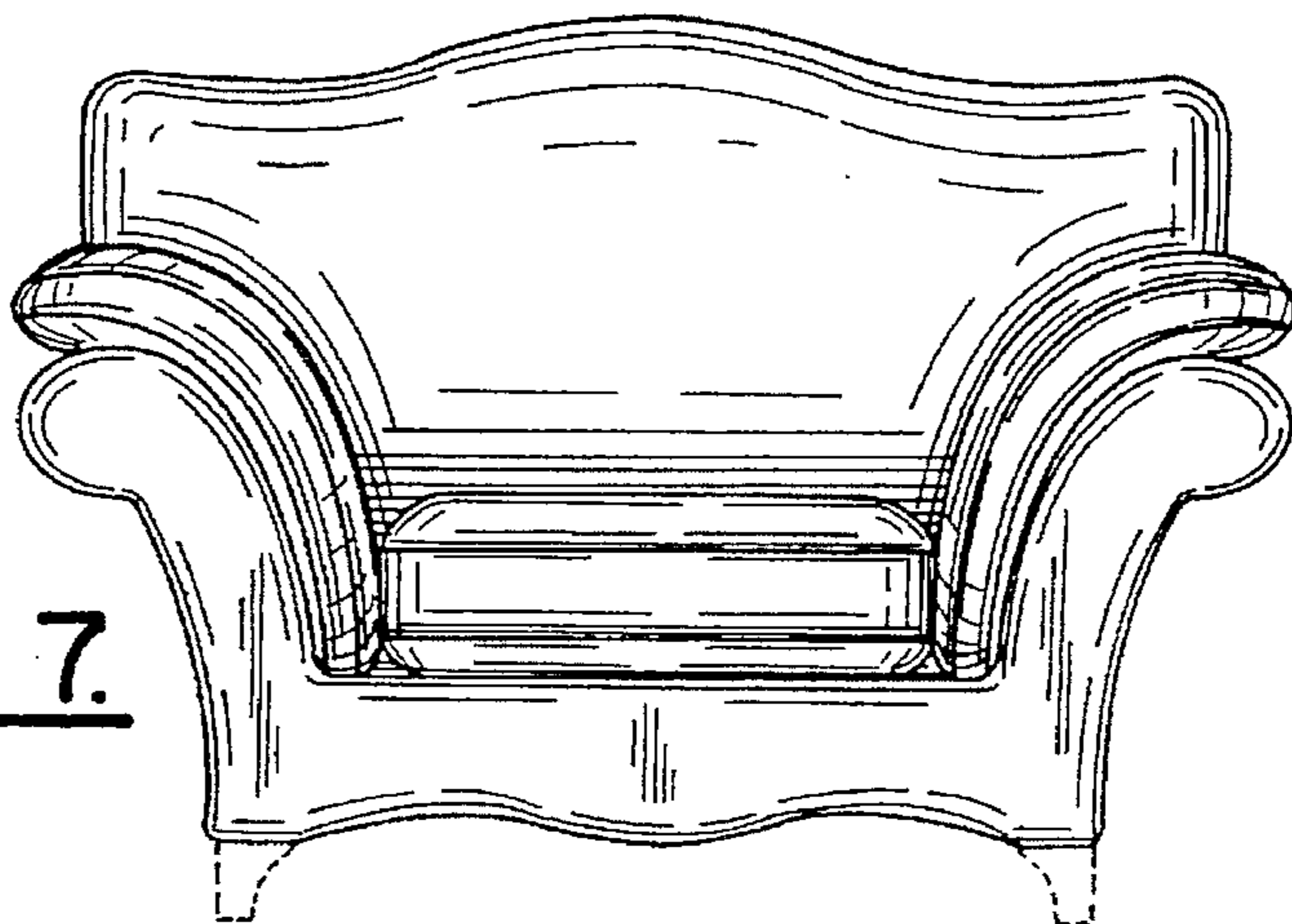


FIG. 7.