



US00D381214S

# United States Patent [19]

Haney et al.

[11] Patent Number: **Des. 381,214**

[45] Date of Patent: **\*\*Jul. 22, 1997**

[54] **UPHOLSTERED CHAIR**

[75] Inventors: **Trevor R. Haney**, Hudsonville;  
**Douglas G. Oswald**, Grand Rapids,  
both of Mich.

[73] Assignee: **American Seating Company**, Grand  
Rapids, Mich.

[\*\*] Term: **14 Years**

[21] Appl. No.: **47,628**

[22] Filed: **Dec. 8, 1995**

[51] **LOC (6) Cl.** ..... **06-01**

[52] **U.S. Cl.** ..... **D6/368; D6/341; D6/500**

[58] **Field of Search** ..... **D6/334, 335, 336,**  
**D6/338, 341, 362, 364, 367, 368, 374,**  
**500, 501, 502; 297/162, 331, 335**

[56] **References Cited**

**U.S. PATENT DOCUMENTS**

D. 252,482	7/1979	Blodee	.....	D6/368 X
D. 368,595	4/1996	Dallaire	.....	D6/368 X
3,479,084	11/1969	van Ryn	.....	297/162
4,131,315	12/1978	Vogtherr	.....	297/286
4,703,974	11/1987	Bräuning	.....	297/285
4,889,385	12/1989	Chadwick et al.	.....	297/302

**OTHER PUBLICATIONS**

Sweet's Catalog, 12710/IRW Buyline 2965, p. 7, #17646  
Davies seat, center page.  
Sweet's Catalog, 12710/IRW Buyline 2965, p. 8, Forum seat  
at mid-page left.

Sweet's Catalog, 12710/AME Buyline 2918, Tablet arm  
#306TA at bottom center.

*Primary Examiner*—Gary D. Watson  
*Attorney, Agent, or Firm*—Young & Basile, P.C.

[57] **CLAIM**

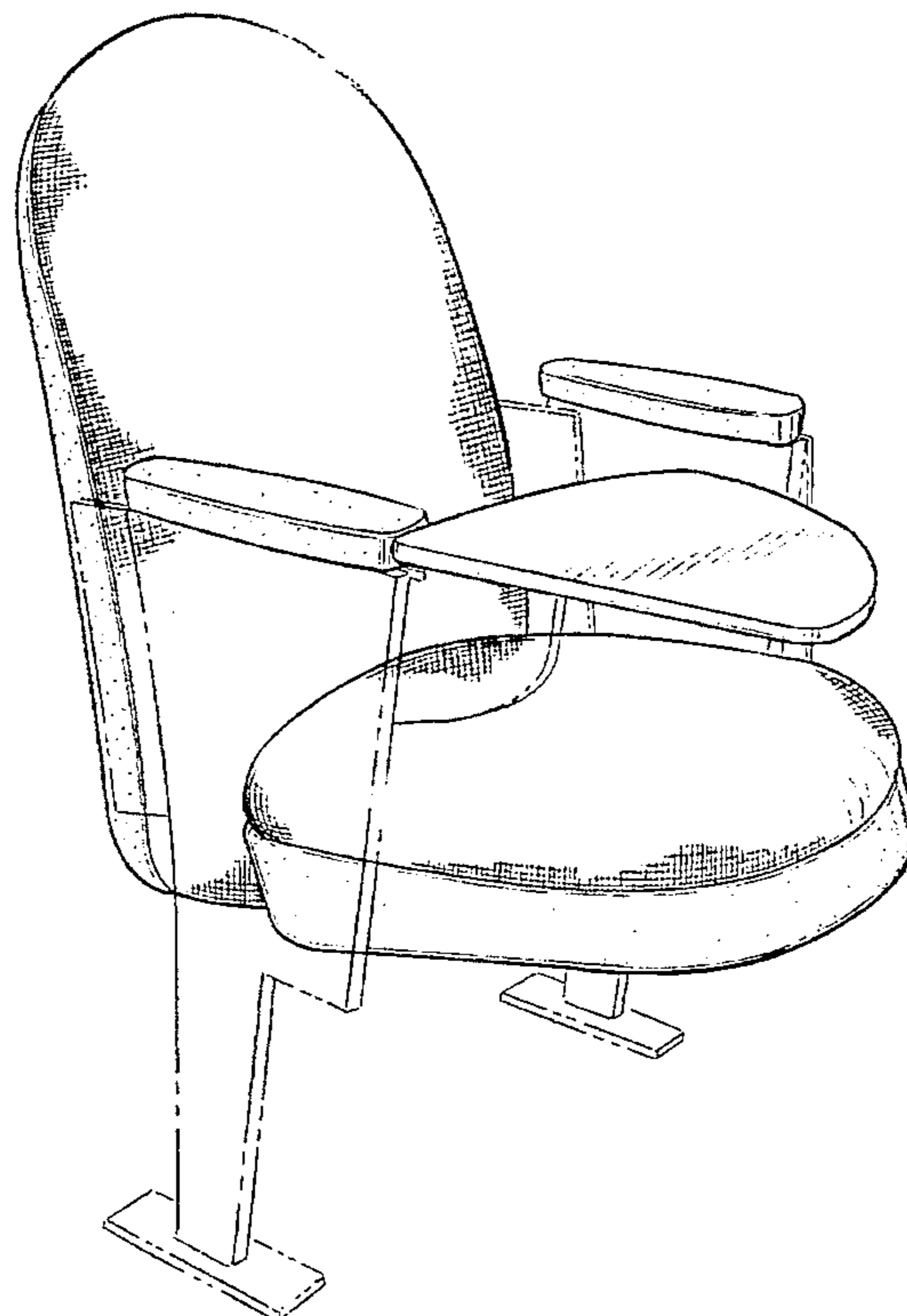
The ornamental design for an upholstered chair, as shown  
and described.

**DESCRIPTION**

FIG. 1 is a perspective view of a chair of the present  
invention showing our new design;  
FIG. 2 is a front elevational view of the chair of FIG. 1;  
FIG. 3 is a side elevational view of the chair of FIG. 1;  
FIG. 4 is a top plan view of the chair of FIG. 1;  
FIG. 5 is a rear elevational view of the chair of FIG. 1;  
FIG. 6 is a bottom view of the chair of FIG. 1;  
FIG. 7 is a perspective view of a further chair of the present  
invention showing our new design;  
FIG. 8 is a front elevational view of the chair of FIG. 7;  
FIG. 9 is a side elevational view of the chair of FIG. 7;  
FIG. 10 is a top plan view of the chair of FIG. 7;  
FIG. 11 is a rear elevational view of the chair of FIG. 7; and,  
FIG. 12 is a bottom view of the chair of FIG. 7.

The schematic depiction of a cross-hatch pattern, shown on  
the seat and backrest, is understood to be continuous  
throughout the designated areas. The broken lines shown in  
all the views are for illustrative purposes only and form no  
part of the claimed design.

**1 Claim, 6 Drawing Sheets**



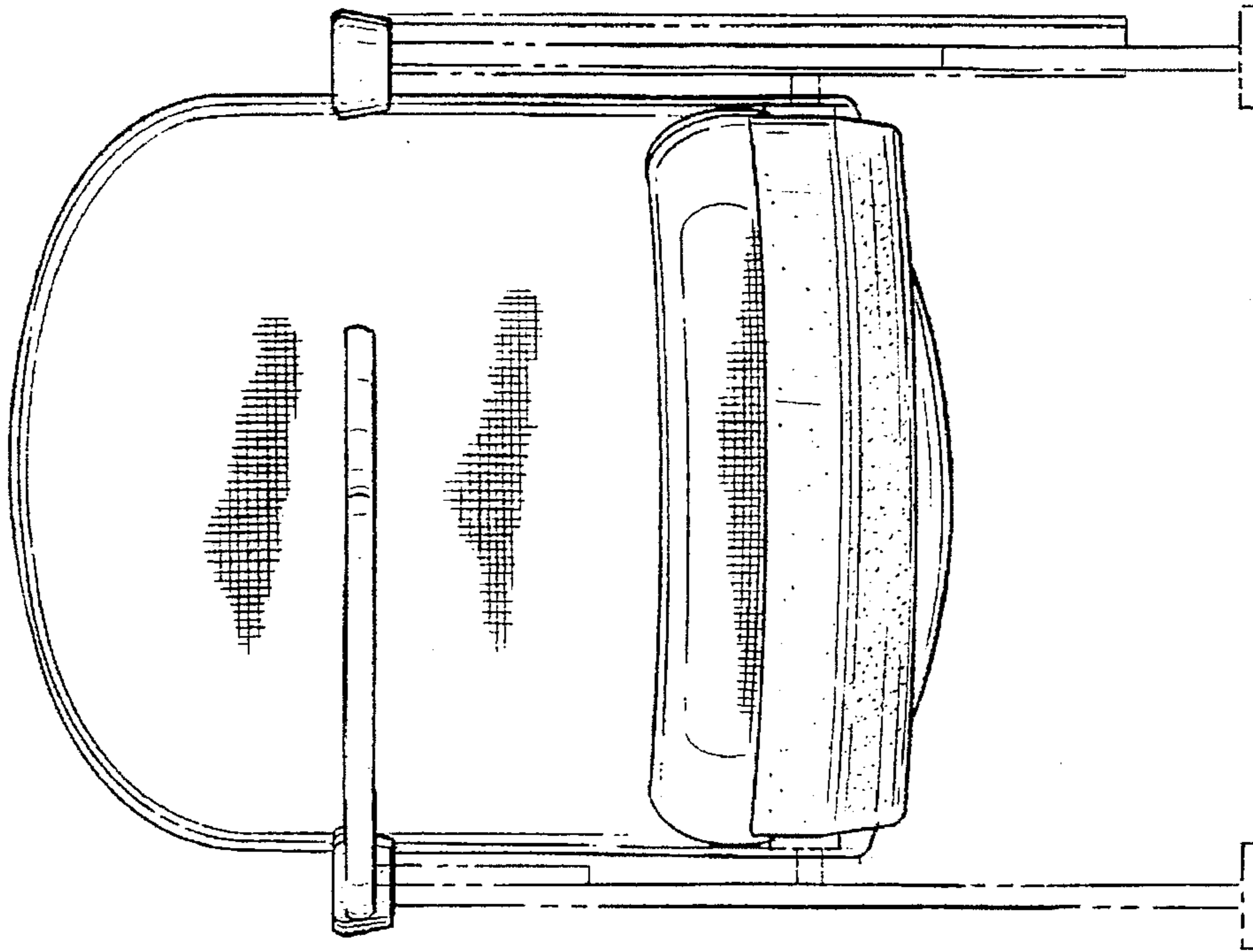


FIG-2

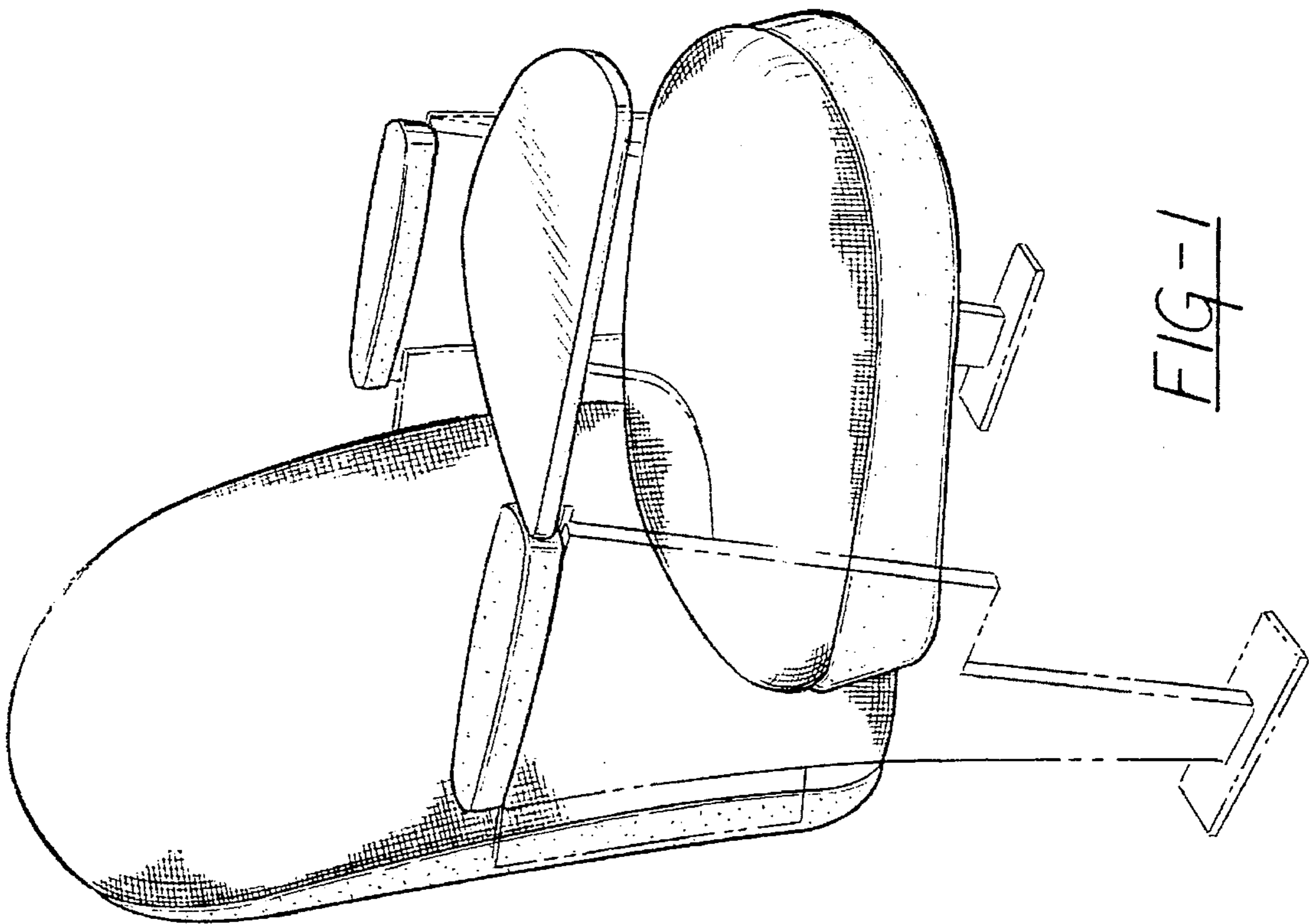


FIG-1

FIG-4

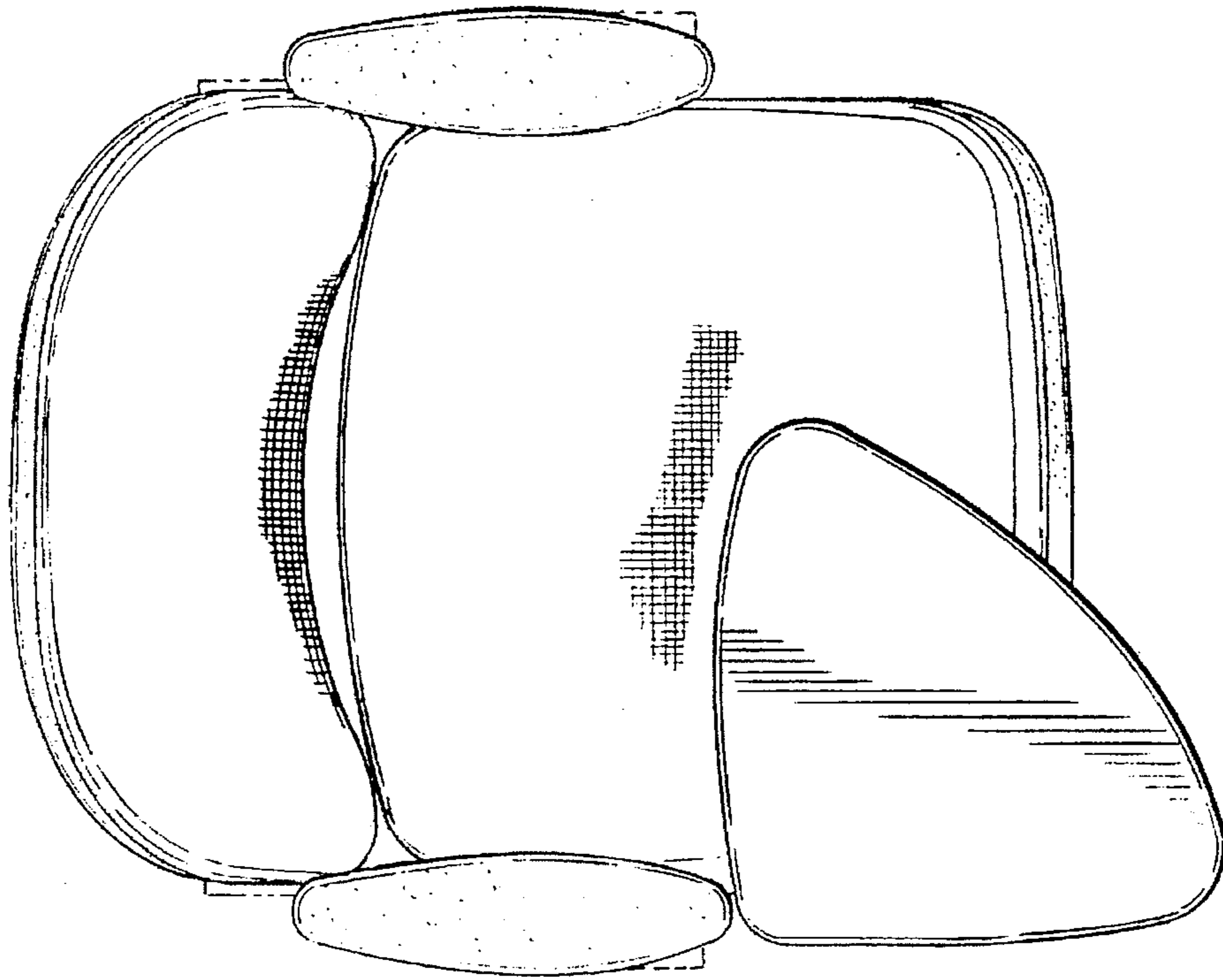


FIG-3

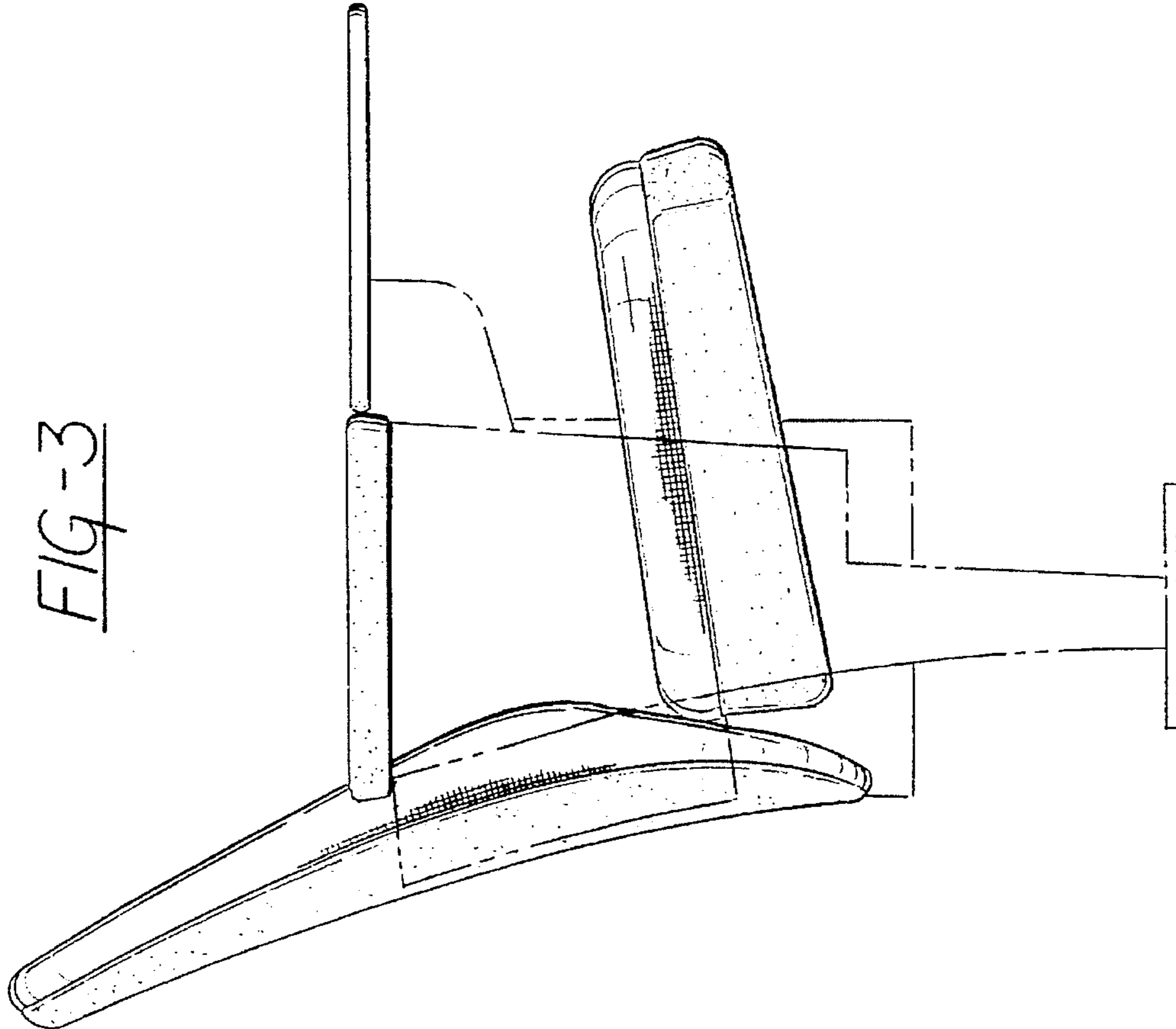


FIG-6

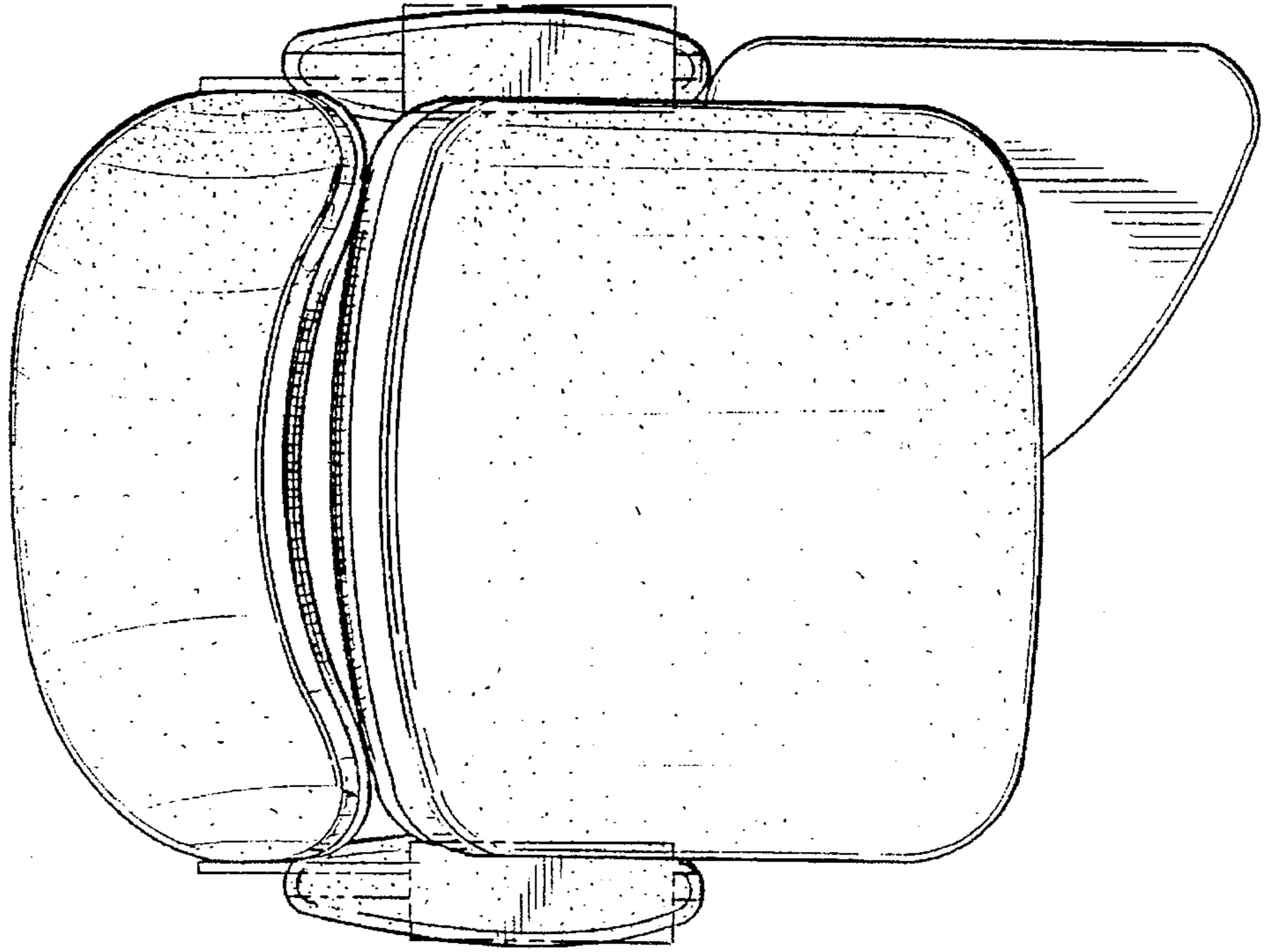
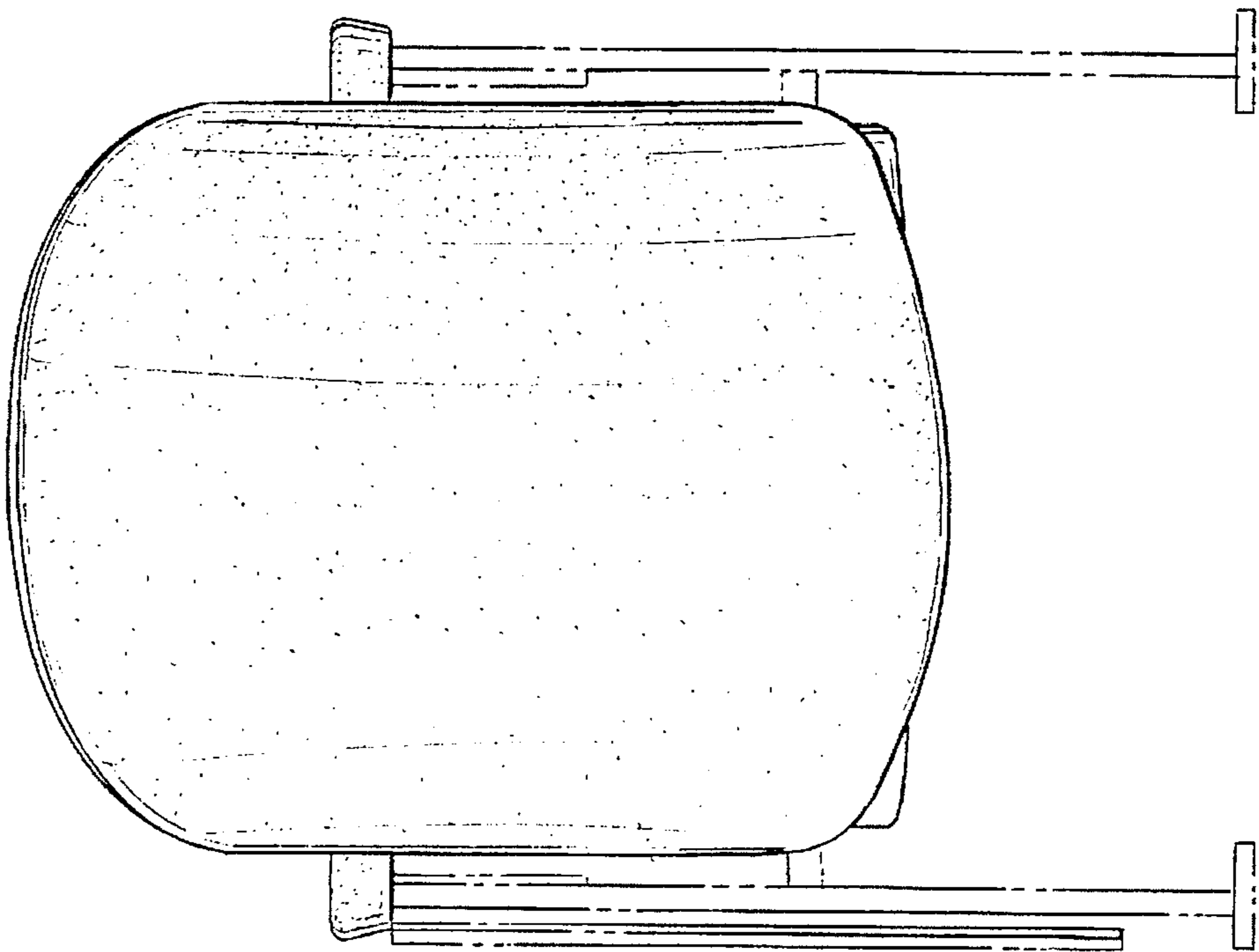


FIG-5



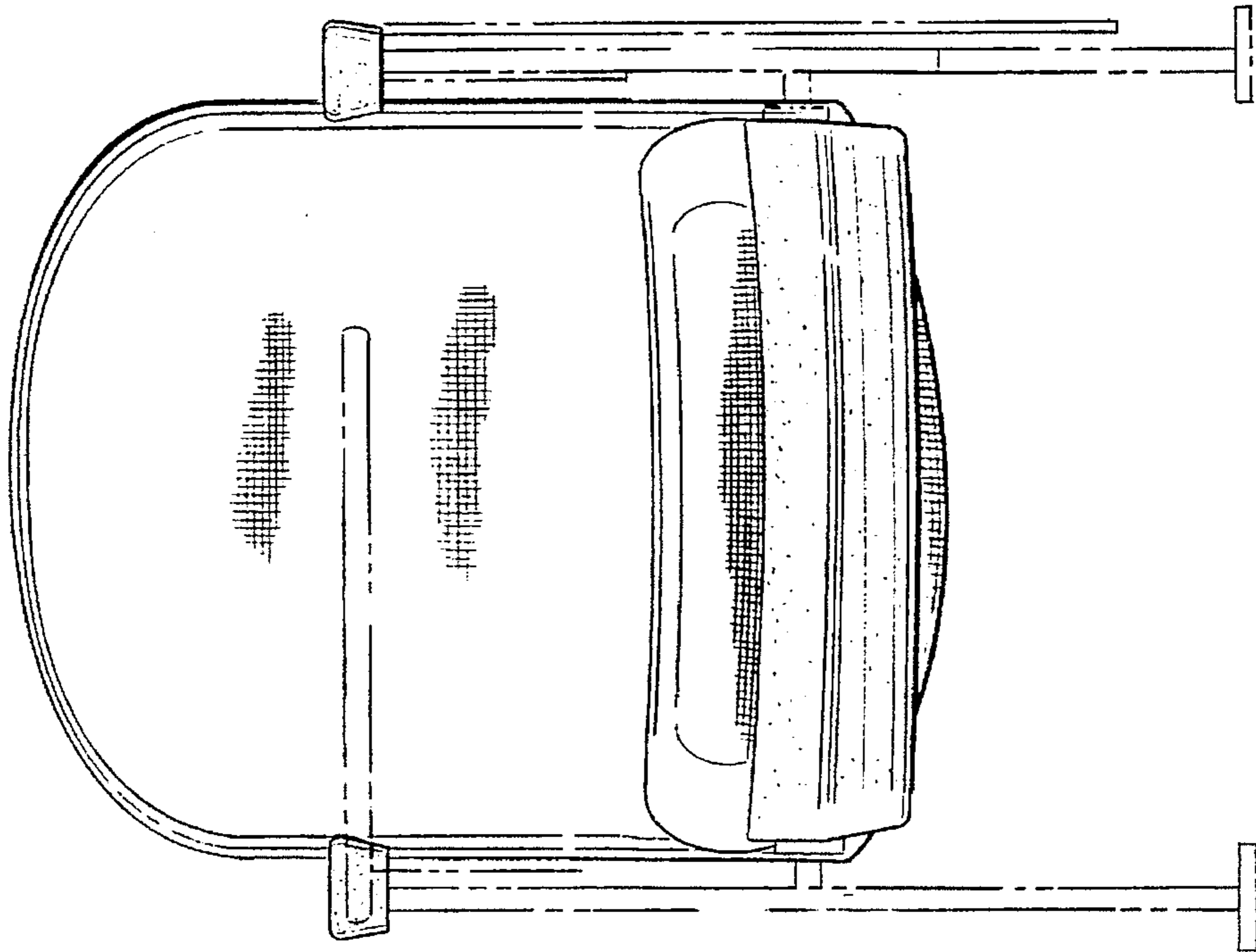


FIG-8

FIG-7

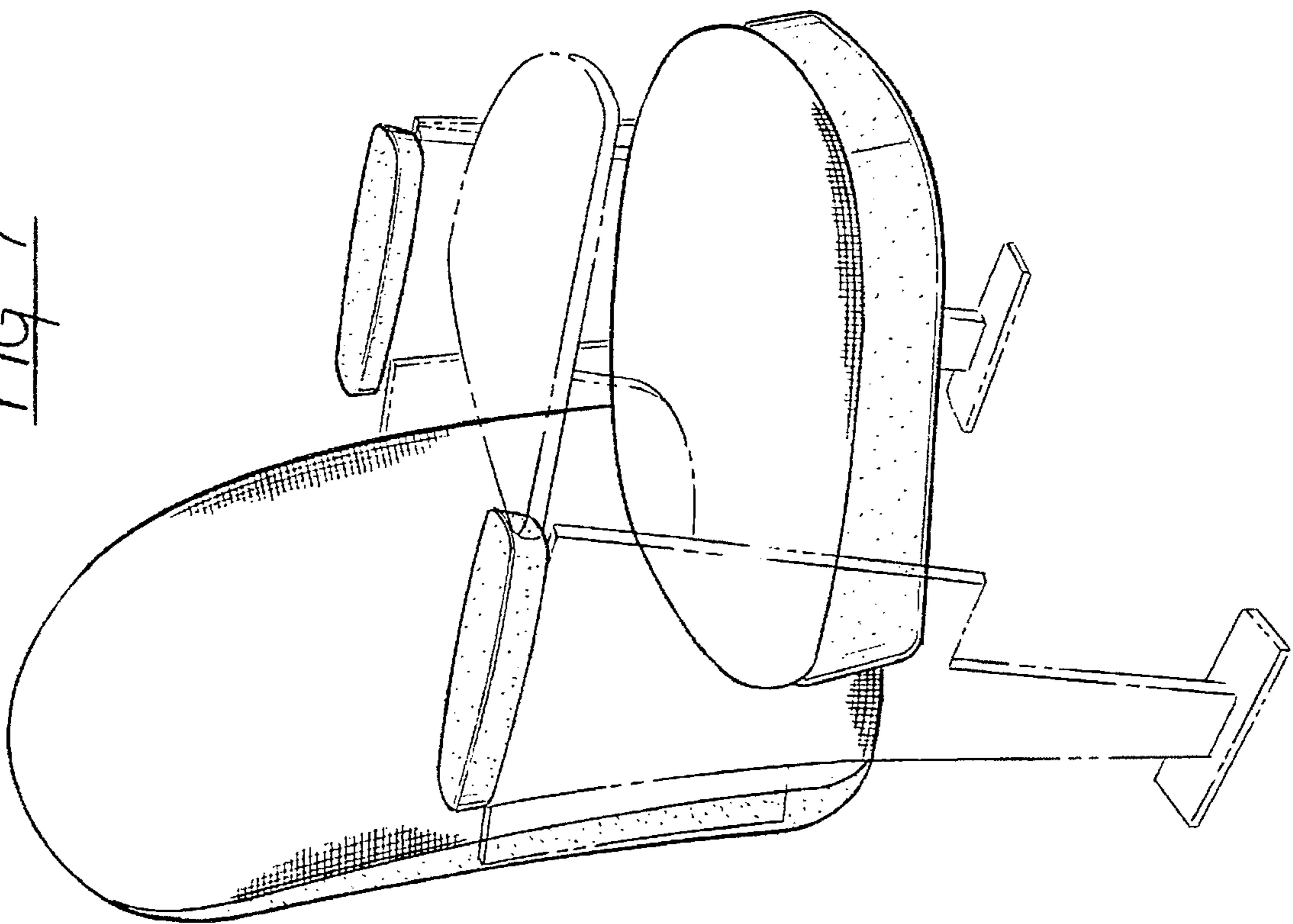


FIG - 10

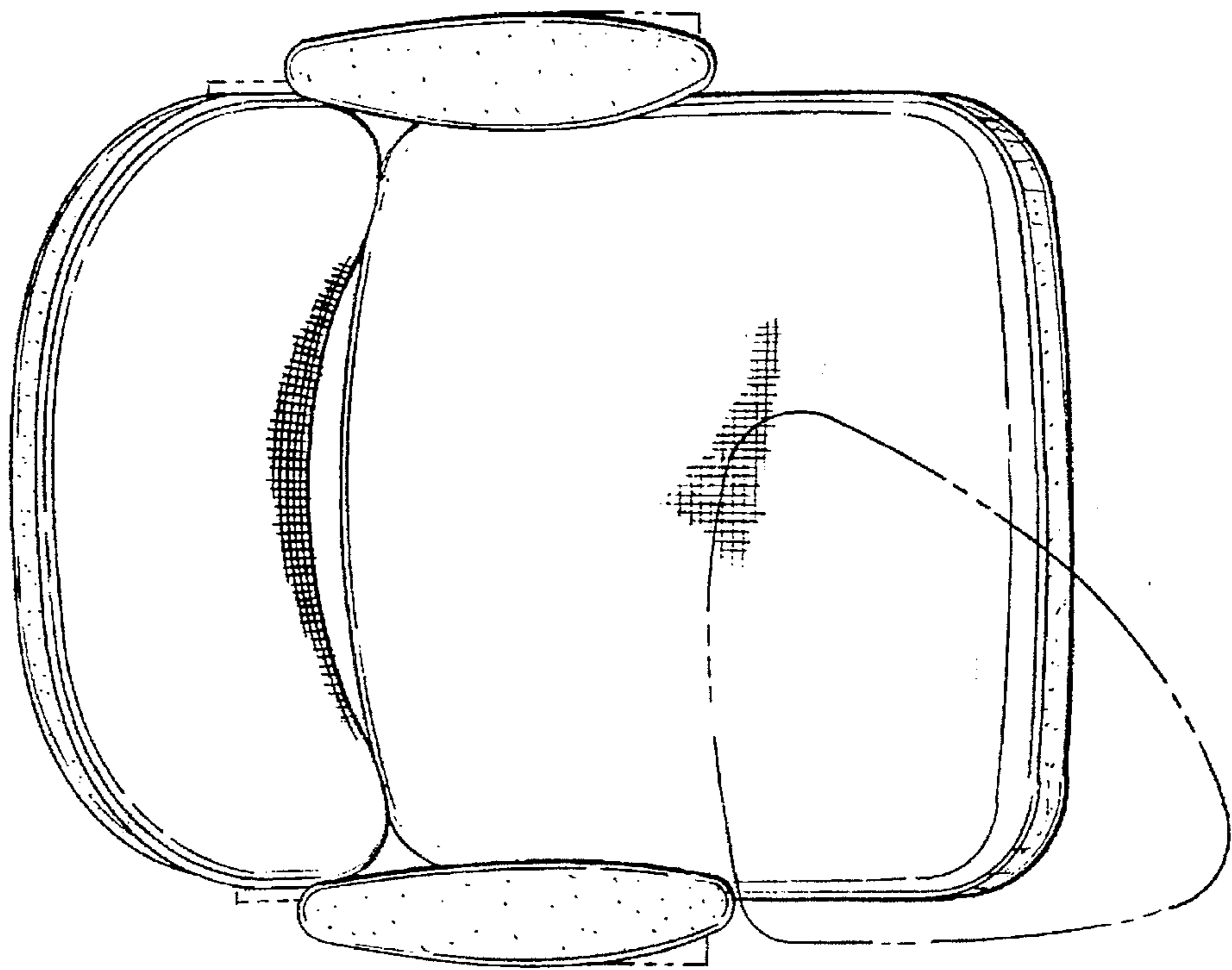


FIG - 9

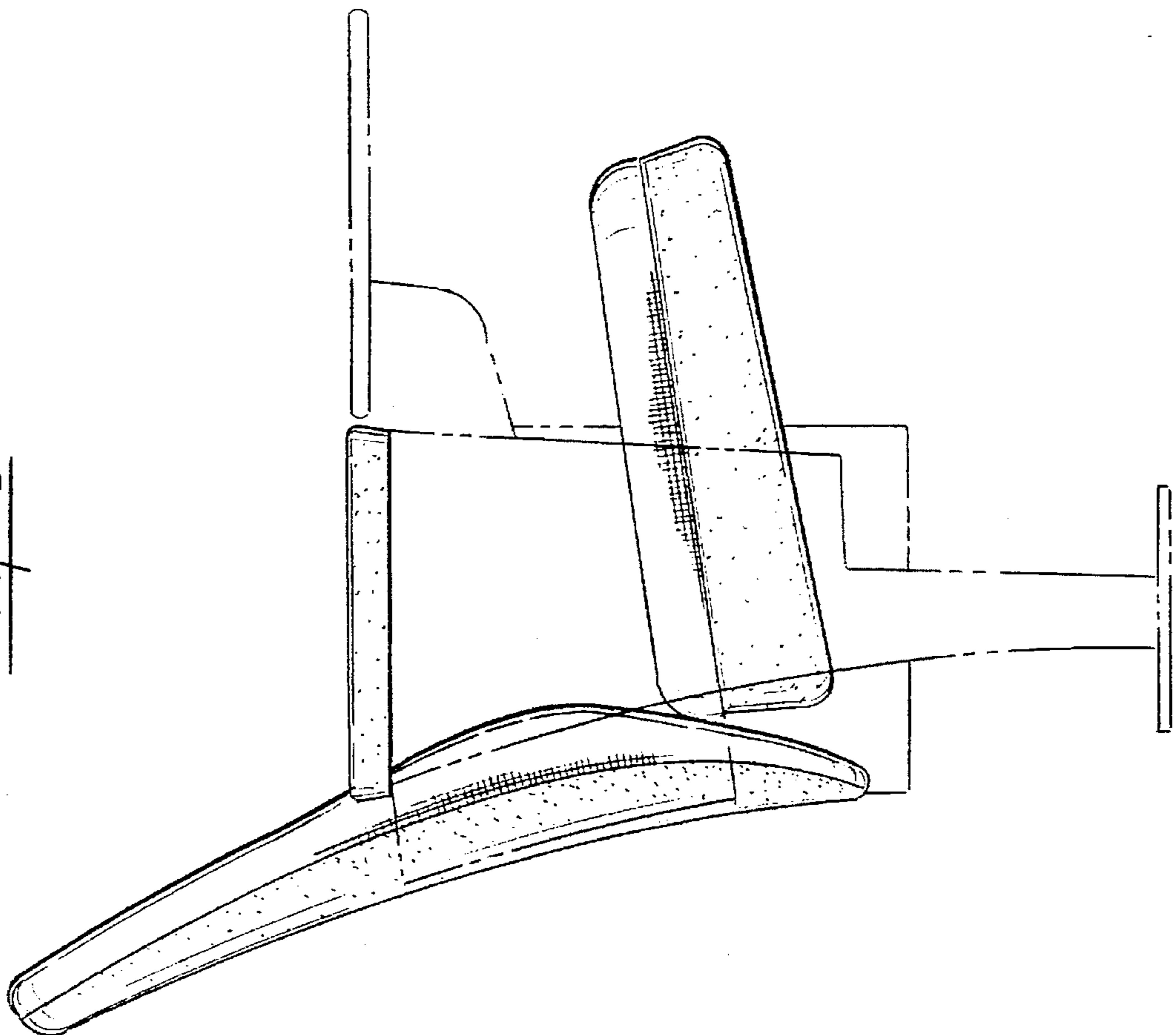


FIG-12

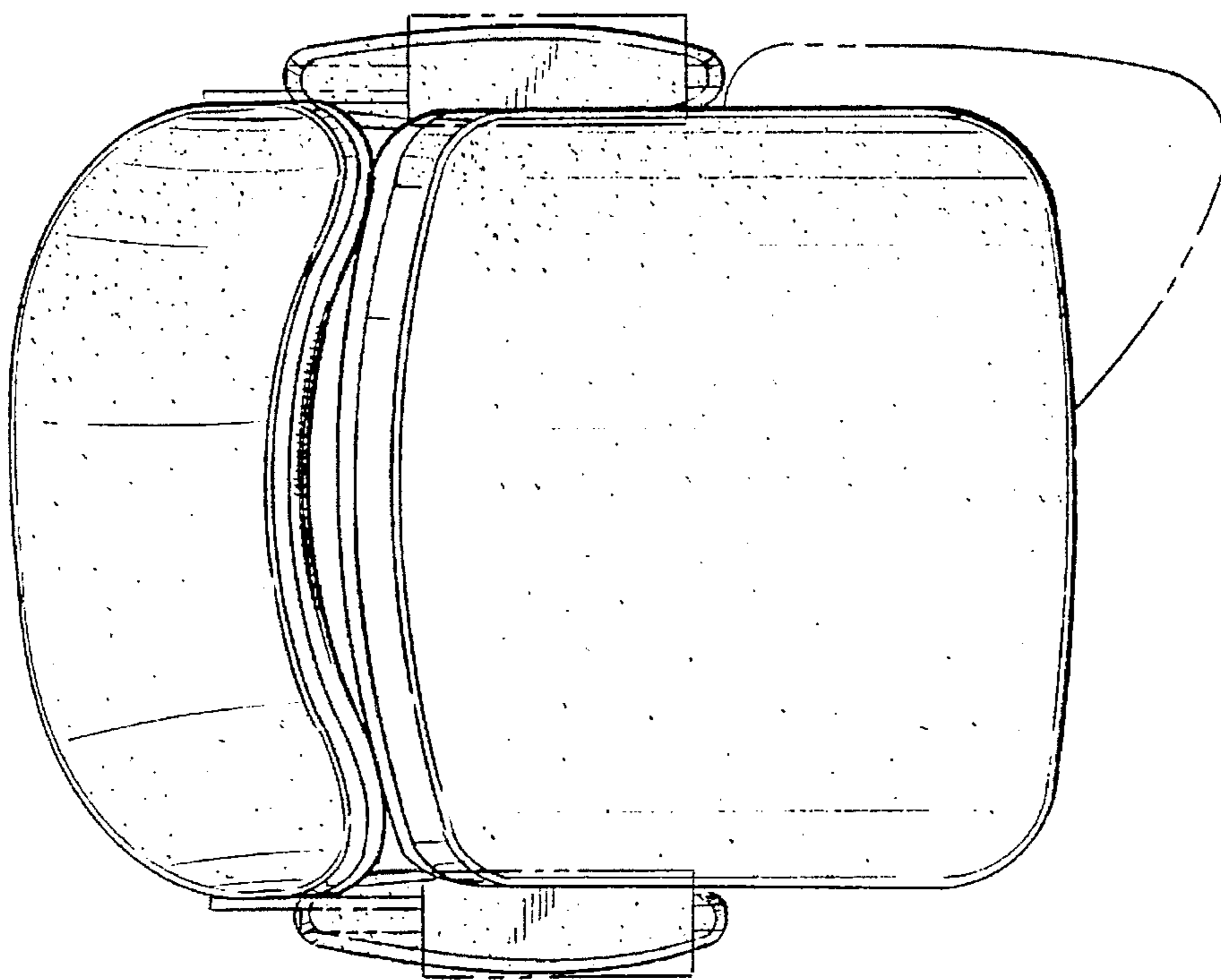


FIG-11

