



US00D381211S

United States Patent [19]

Aries et al.

[11] Patent Number: **Des. 381,211**

[45] Date of Patent: ****Jul. 22, 1997**

[54] **FRAMED RECORD**

[75] Inventors: **Richard D. Aries**, Tarzana; **Sandi Bublitz**, Port Hueneme, both of Calif.

[73] Assignee: **Now That's Music, Inc.**, Canoga Park, Calif.

[**] Term: **14 Years**

[21] Appl. No.: **52,690**

[22] Filed: **Apr. 4, 1996**

[51] LOC (6) Cl. **06-08**

[52] U.S. Cl. **D6/300**; D11/132

[58] Field of Search D6/300-314; D11/132, D11/133; 40/700, 711, 722, 724, 725, 765, 768, 780, 790, 798

[56] **References Cited**

U.S. PATENT DOCUMENTS

D. 288,630 3/1987 Haugen D6/300

D. 308,350 6/1990 England D11/132
D. 365,299 12/1995 Berducat D11/132
2,505,787 5/1950 Munkacsi et al. 40/725

OTHER PUBLICATIONS

Best, p. 496, #1 record plaque at left and center.

Primary Examiner—Janice E. Seeger
Attorney, Agent, or Firm—Thomas A. Turner, Jr.

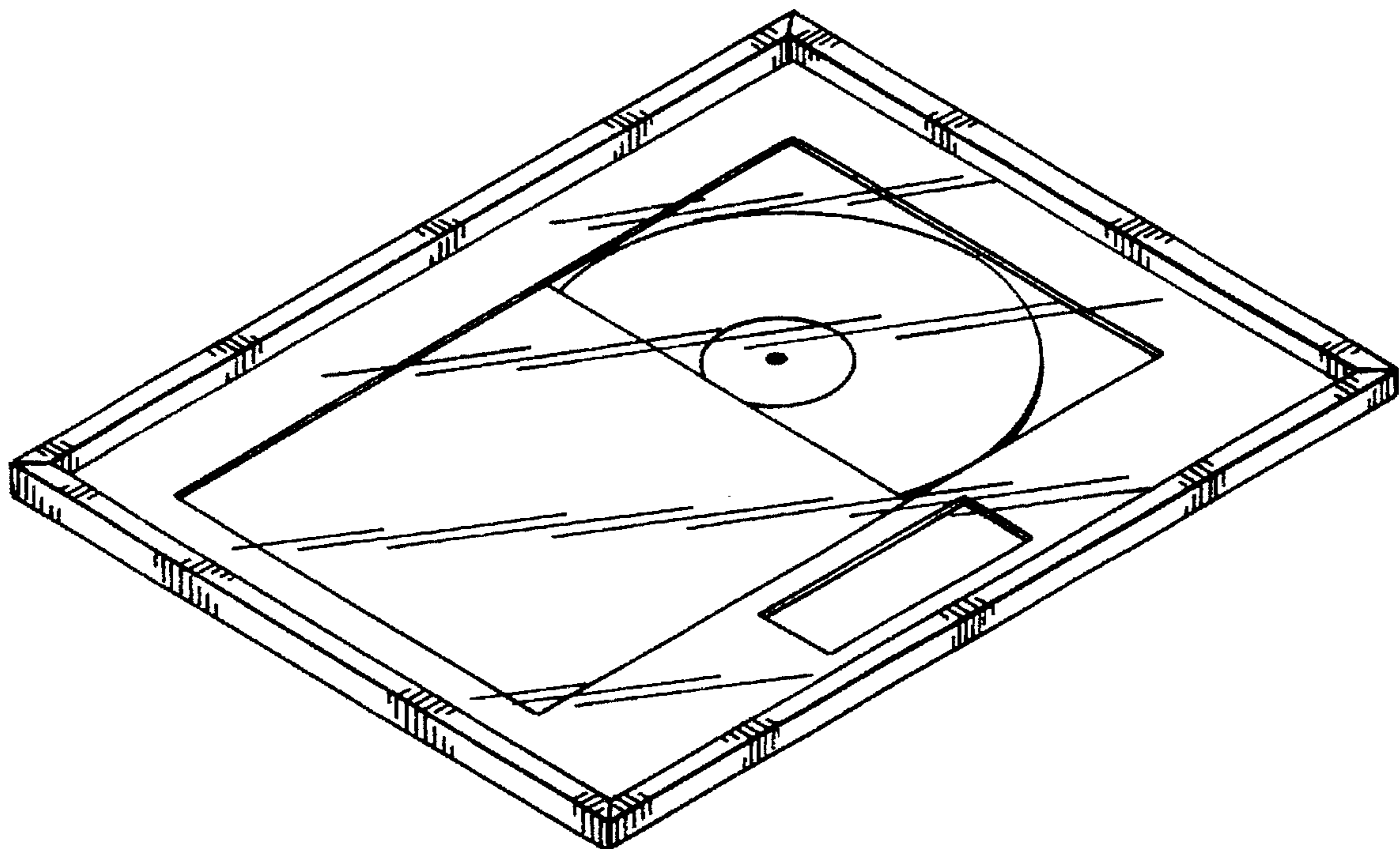
[57] **CLAIM**

The ornamental design for a framed record, as shown.

DESCRIPTION

FIG. 1 is a perspective view of a framed record showing my new design;
FIG. 2 is a side elevation view thereof;
FIG. 3 is another side elevational view thereof; and,
FIG. 4 is a bottom plan view thereof.

1 Claim, 1 Drawing Sheet



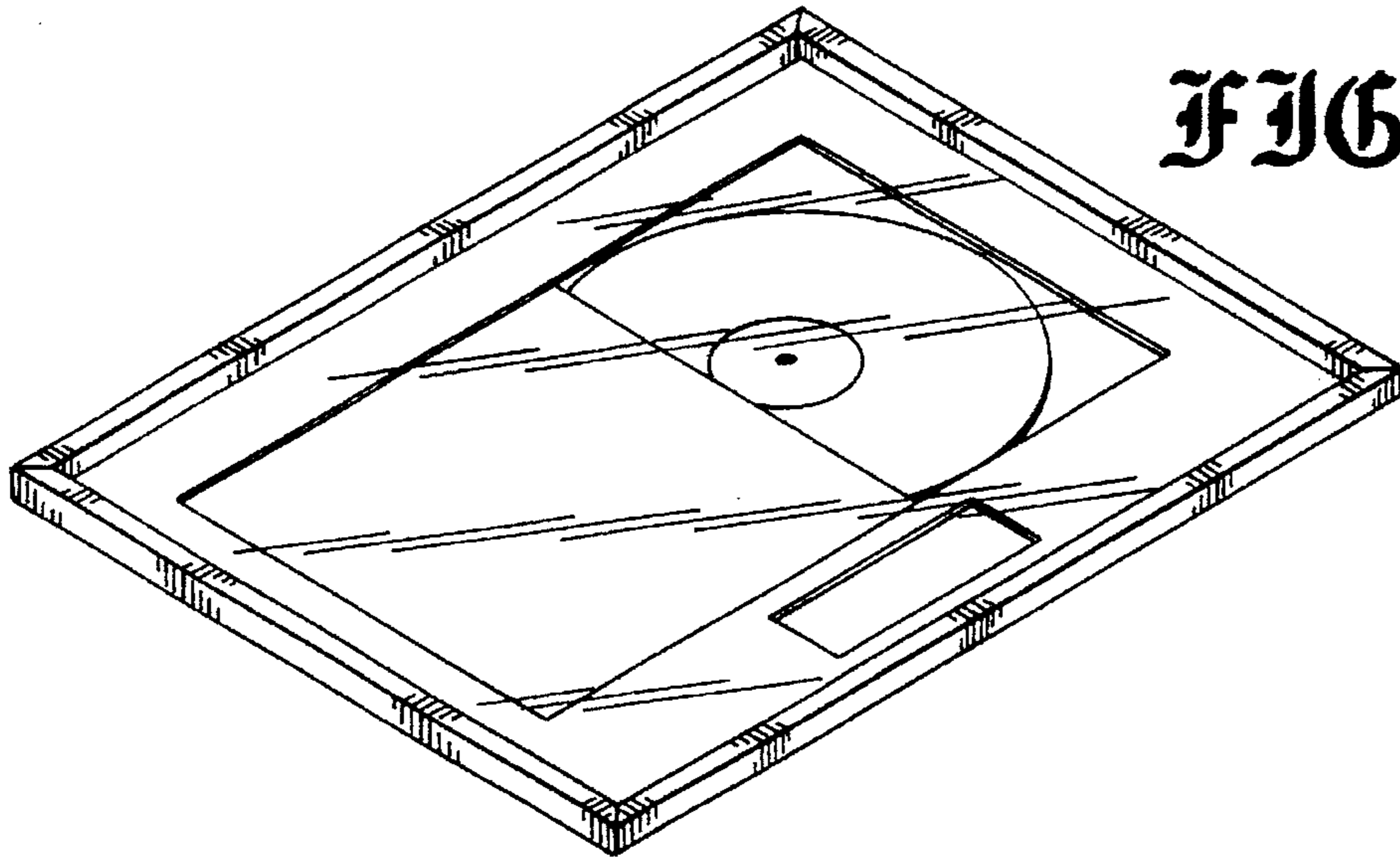


FIG. 1

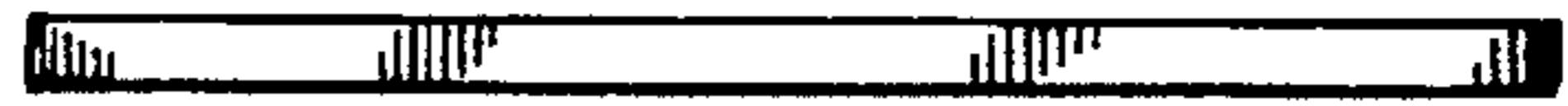


FIG. 2



FIG. 3

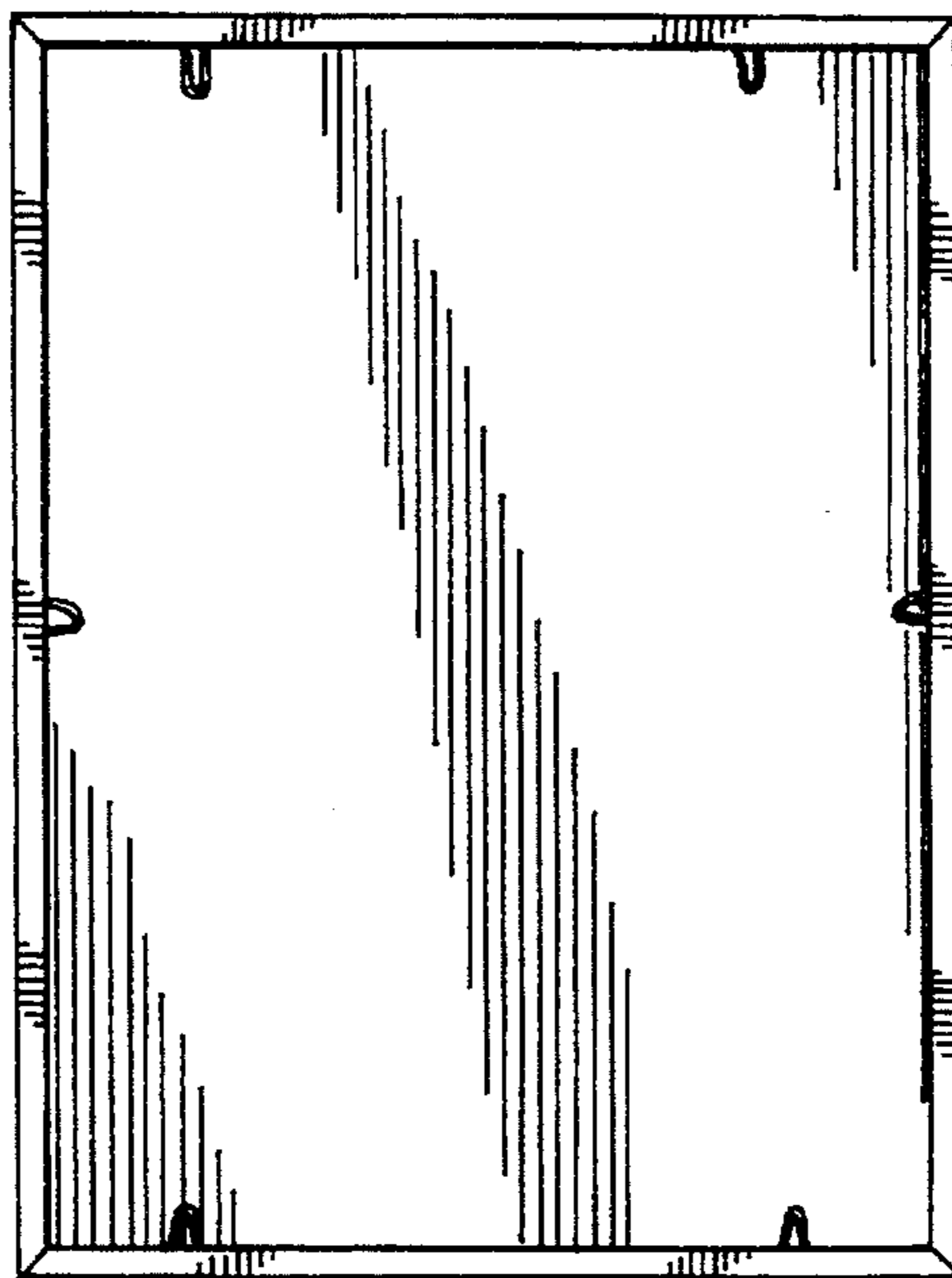


FIG. 4