



US00D381207S

# United States Patent [19]

Gertsma et al.

[11] Patent Number: **Des. 381,207**

[45] Date of Patent: **\*\*\*Jul. 22, 1997**

[54] **HAIRBRUSH**

[75] Inventors: **Kathy Gertsma**, Sausalito;  
**Christopher Davis**, San Francisco, both  
of Calif.

[73] Assignee: **West Coast Beauty Supply Company**,  
Benecia, Calif.

[\*] Notice: The portion of the term of this patent  
subsequent to Jan. 2, 2010, has been dis-  
claimed.

[\*\*] Term: **14 Years**

[21] Appl. No.: **36,866**

[22] Filed: **Mar. 29, 1995**

[51] LOC (6) Cl. .... **04-02**

[52] U.S. Cl. .... **D4/128**

[58] Field of Search ..... D4/116, 117, 128,  
D4/130, 132-134, 136, 138; D28/25, 29,  
35; 15/143.1, 159.1, 160, 186, 187; 132/120,  
121, 212, 313

[56] **References Cited**

**U.S. PATENT DOCUMENTS**

- D. 230,105 1/1974 Newman et al. .... D4/117
- D. 238,316 1/1976 Kahn ..... D4/136
- D. 258,922 4/1981 Natman et al. .... D4/134

- D. 263,768 4/1982 Birch ..... D4/136
- D. 271,179 11/1983 Smith ..... D4/116
- D. 281,728 12/1985 Sherman ..... D4/128 X
- D. 292,949 12/1987 Vetter ..... D4/116
- D. 309,530 7/1990 Gingras ..... D4/138

**OTHER PUBLICATIONS**

Fuller Brush Catalog, Inc. ©1988; All-Round Hairbrush  
Item B on p. 4 & Hairbrushes, Items H, K, & L on p. 7.

*Primary Examiner*—A. Hugo Word  
*Assistant Examiner*—Lavone Tabor  
*Attorney, Agent, or Firm*—Joseph L. Strabala

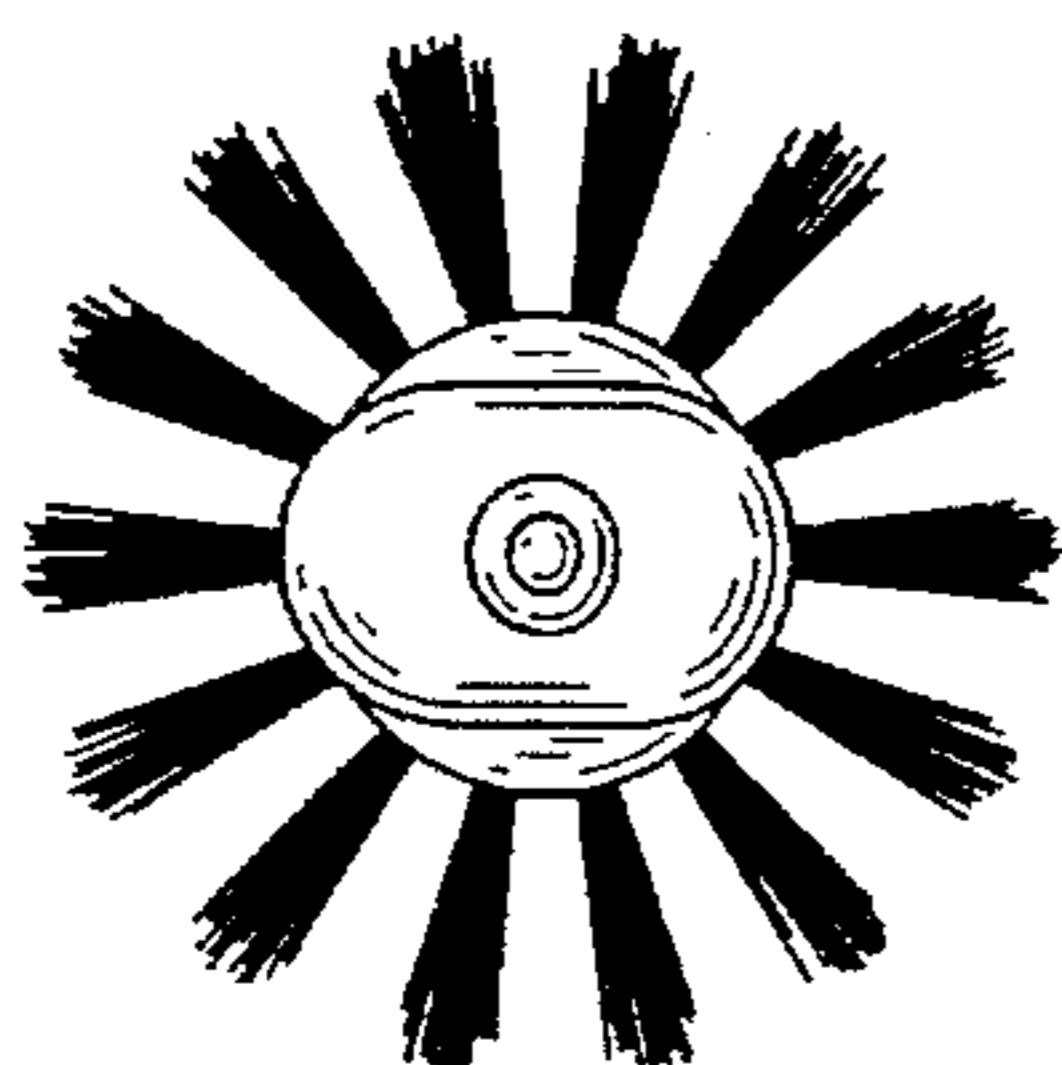
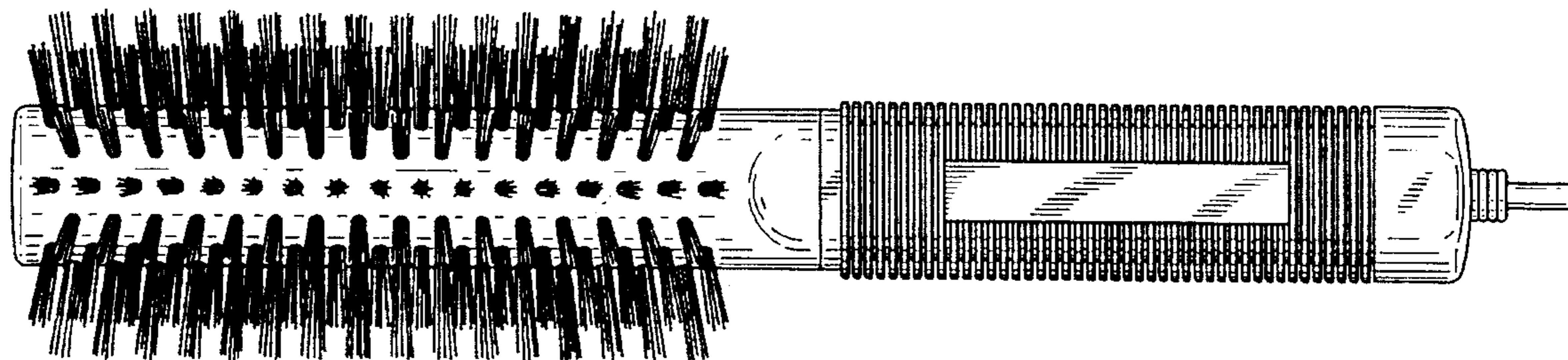
[57] **CLAIM**

The ornamental design for a hairbrush, as shown and  
described.

**DESCRIPTION**

FIG. 1 is a bottom plan of the hairbrush showing our new  
design;  
FIG. 2 is a top plan thereof opposite to the bottom plan  
shown in FIG. 1;  
FIG. 3 is a side elevation of the hairbrush;  
FIG. 4 is a side elevation of the hairbrush of the side  
opposite to the side shown in FIG. 3;  
FIG. 5 is an end elevation thereof; and,  
FIG. 6 is an end elevation of the end opposite the end of the  
hairbrush shown in FIG. 5.

**1 Claim, 2 Drawing Sheets**



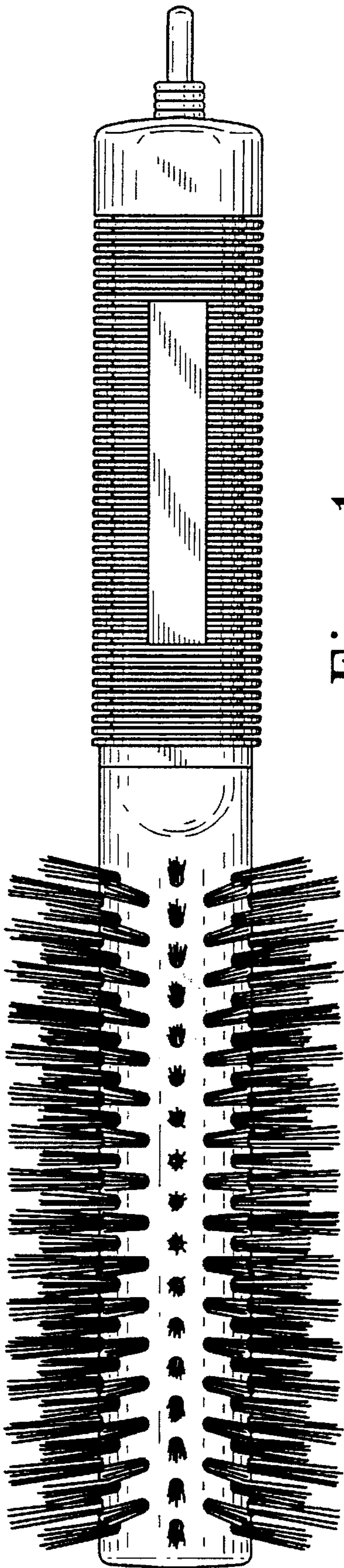


Fig. 1

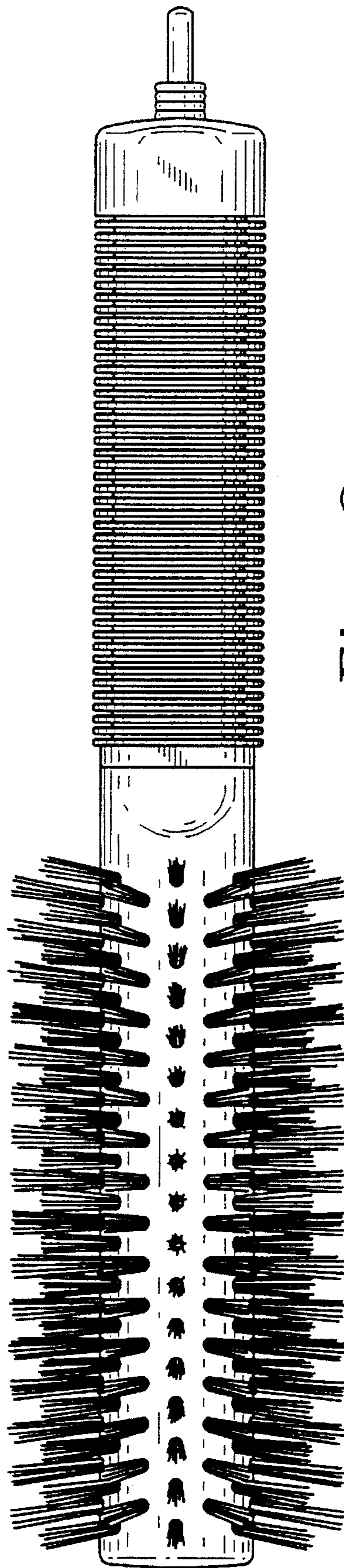


Fig. 2

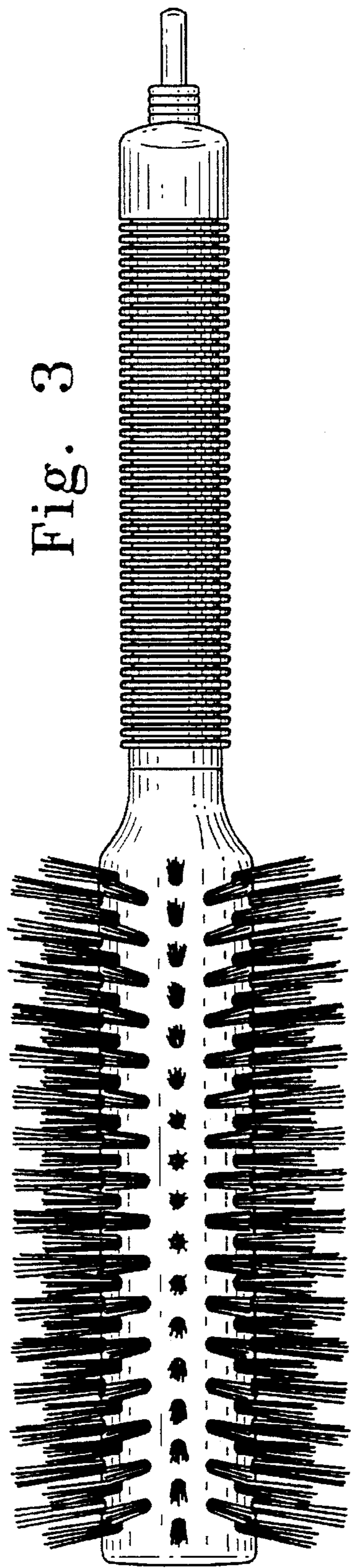


Fig. 3

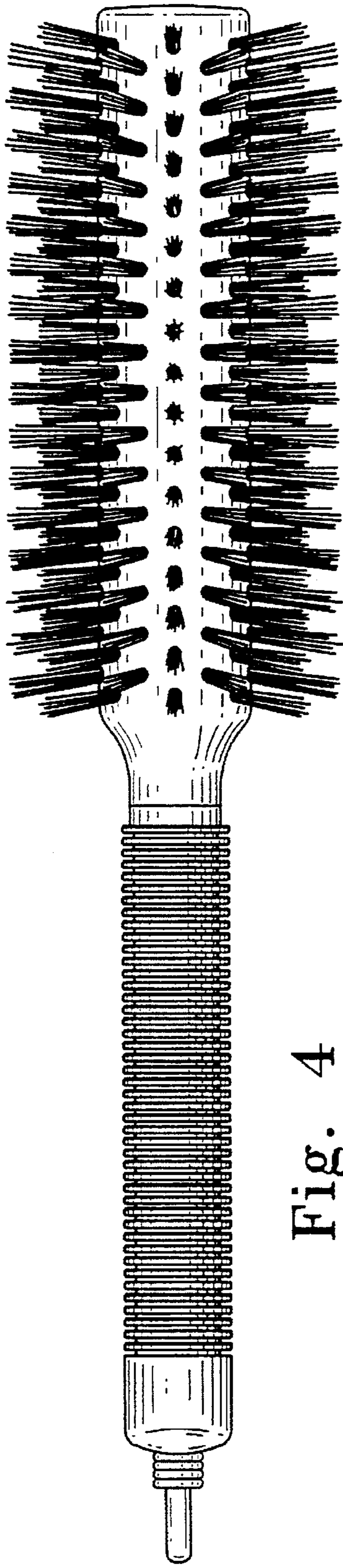


Fig. 4

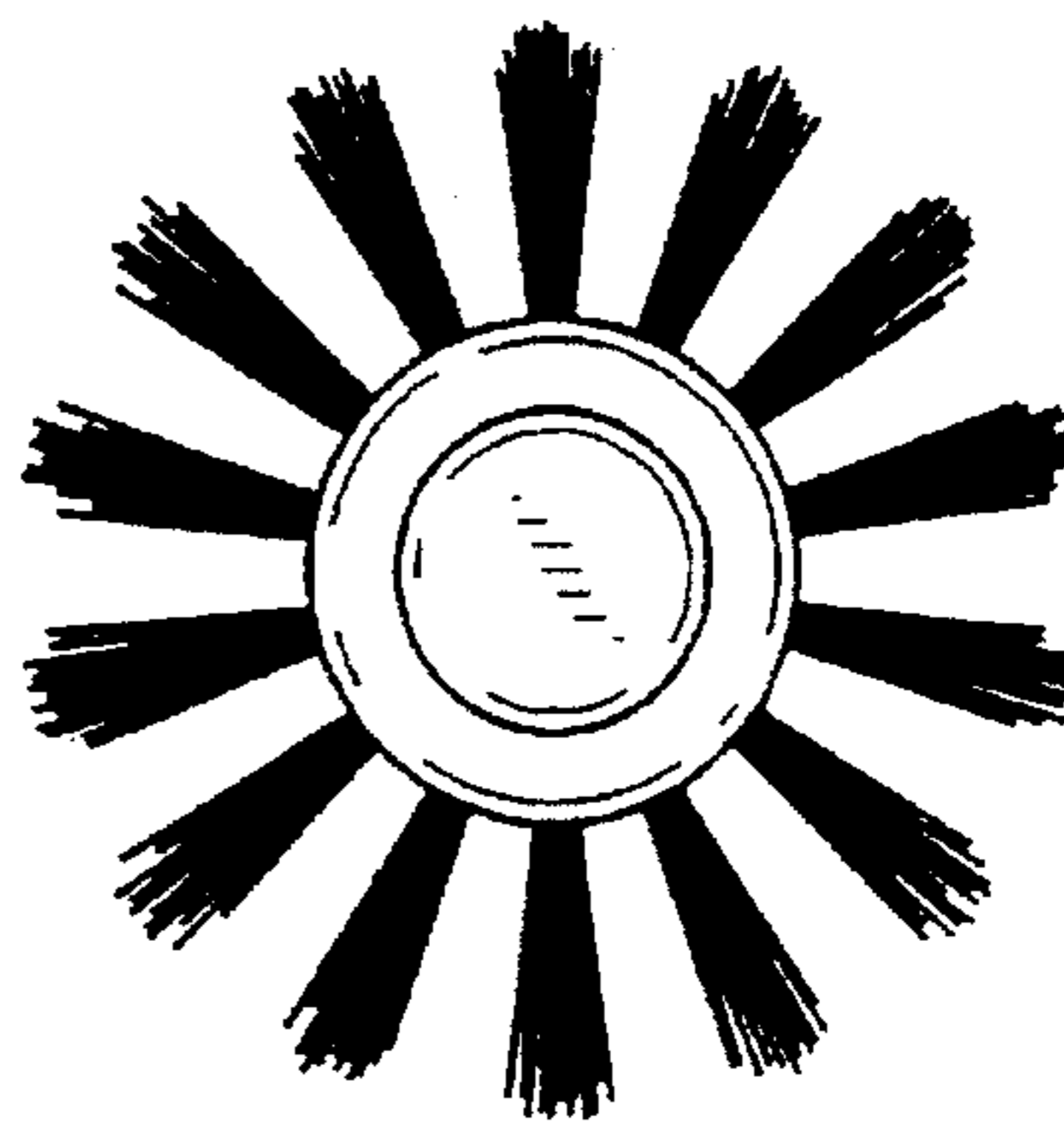


Fig. 5

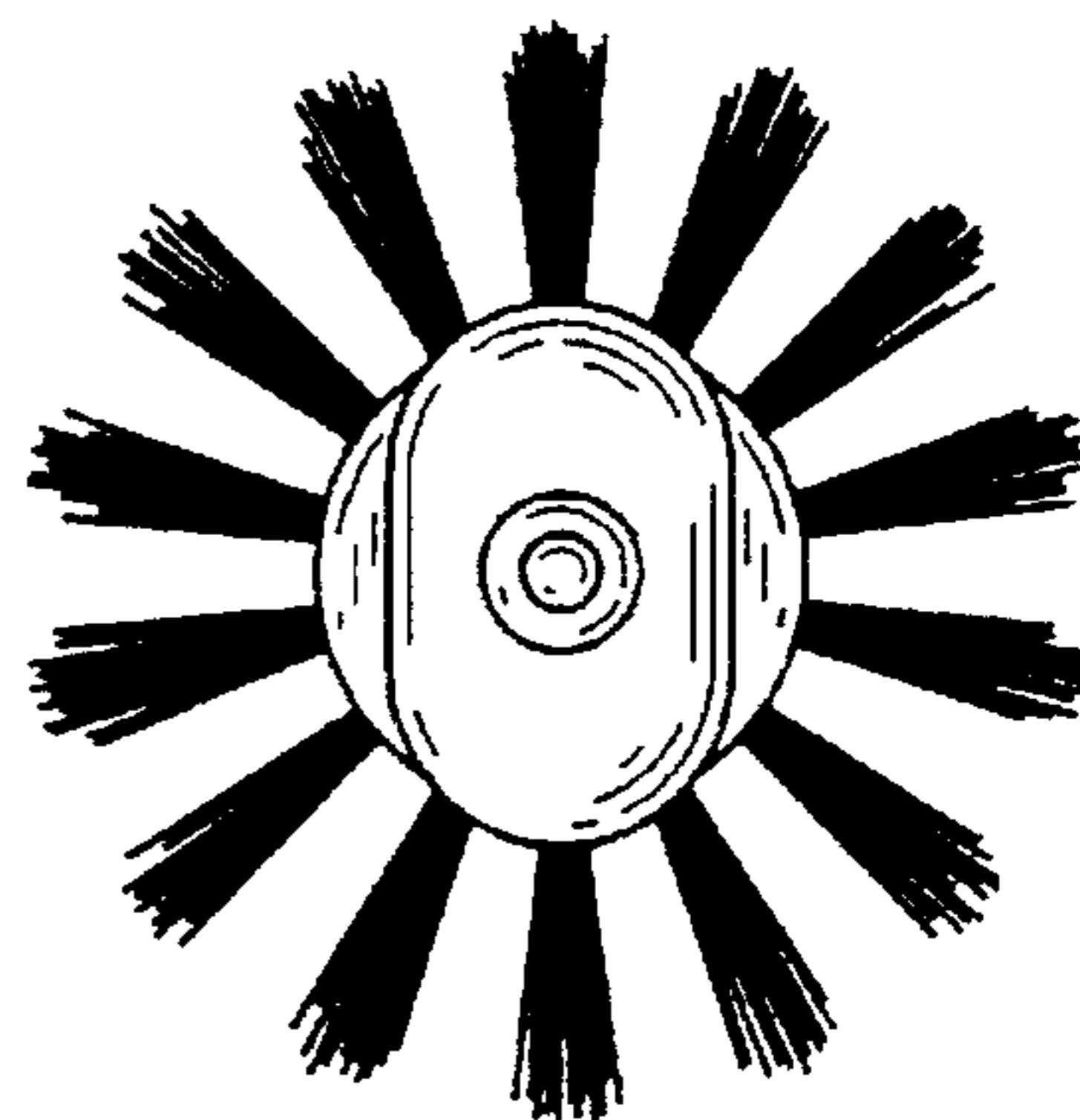


Fig. 6